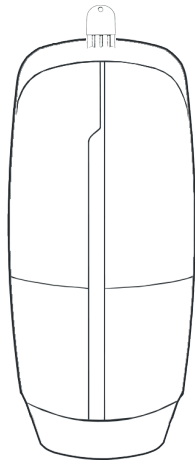




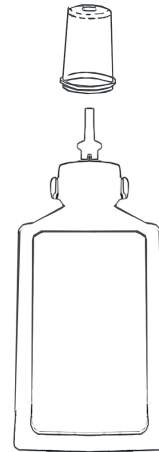
# Manual Soap Dispenser

## Loading Card

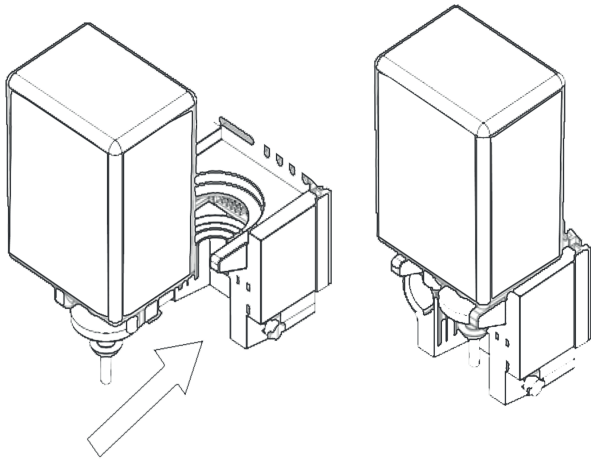
Follow these four easy steps to load your Raphael dispenser. All you need is your waffle key & Raphael soap or sanitiser.



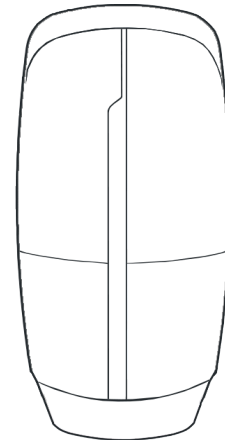
Unlock & open the dispenser



Remove the cap



Load the soap / sanitiser into the dispenser, the label should be facing the back of the dispenser, and you will hear the cartridge click into place

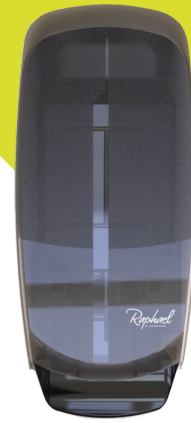


Close the dispenser & pump the push bar to prime and dispense

*For more information:*

[www.northwood.co.uk/raphael](http://www.northwood.co.uk/raphael)

T: 01952 236 930



Product Code	<b>MSDSMORA</b>
Product Barcode	<b>05010146007707</b>
Product Description	<b>Manual Soap Dispenser</b>
Date of Issue	<b>28/04/2020</b>

Specification Sheet	
Colour	Smoke
Height (mm)	298
Width (mm)	118
Depth (mm)	150
Max Capacity	1000ml Cartridge
Compatible Product	SOLOTRA / SOABARA / SOSANRA / SOAHGRA
Dispenser Key Features	<ul style="list-style-type: none"> <li>◆ Controlled and generous shot size—encourages single use</li> <li>◆ Translucent—'at-a-glance' replenishment checks, with no need to open dispensers, reduces janitorial time</li> <li>◆ New nozzle with every cartridge—reduces washroom bacteria harbouring</li> <li>◆ Simple to operate—suitable for children and the elderly</li> <li>◆ No drip dispensing—no washroom mess</li> <li>◆ Foam soap—reduces water consumption versus liquid soap</li> </ul>

Packaging	
Case Quantity	1
Number of cases per layer	N/A
Number of cases per pallet	480
Case Weight (kg)	0.6

## Northwood Hygiene Products

Northwood House, Stafford Park 10, Telford, Shropshire, TF3 3AB

T: 01952 236 930 E: [customer.service@northwood.co.uk](mailto:customer.service@northwood.co.uk)

[www.northwood.co.uk](http://www.northwood.co.uk)