

Sit and surf.

# Steel Gorge Desk

Model 5423912

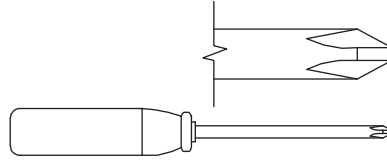
**NOTE:** THIS INSTRUCTION BOOKLET CONTAINS **IMPORTANT** SAFETY INFORMATION.

PLEASE READ AND KEEP FOR FUTURE REFERENCE.

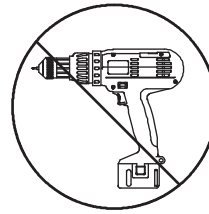
# Table of Contents

# Assembly Tools Required

Part Identification	3
Hardware Identification	4
Assembly Steps	5-28
Safety	37-38
Warranty	39



No. 2 Phillips Screwdriver  
Tip Shown Actual Size



Skip the power trip.  
This time.

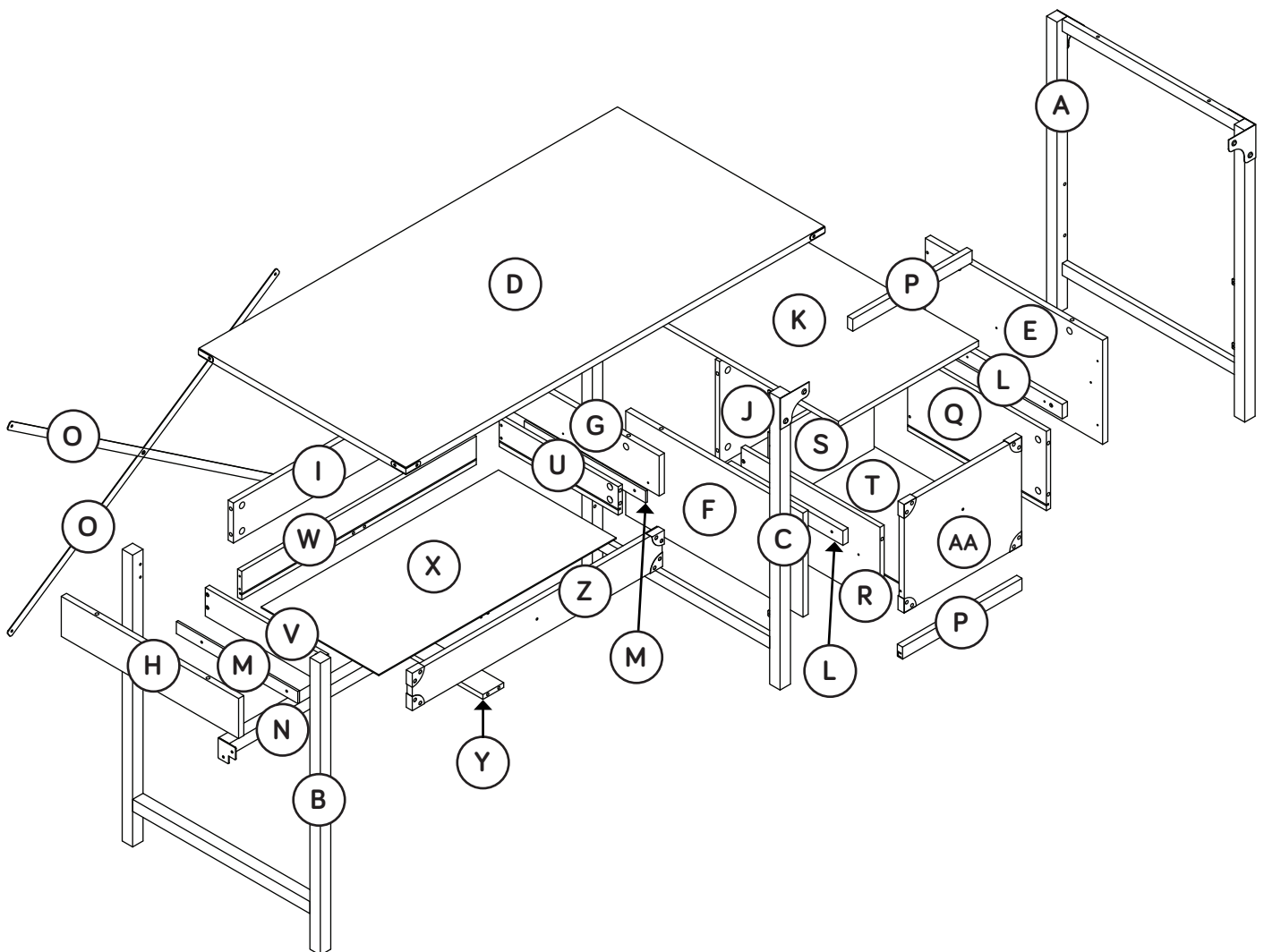
# Part Identification

Now you know  
our ABCs.



† While not all parts are labeled, some of the parts will have a label or an inked letter on the edge to help distinguish similar parts from each other. Use this part identification to help identify similar parts.

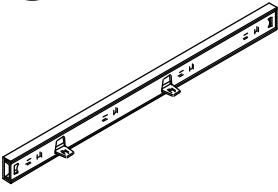
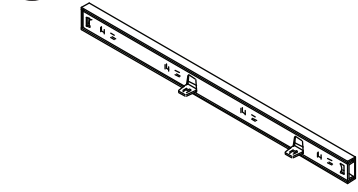
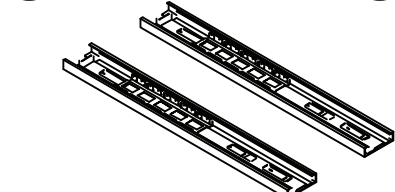
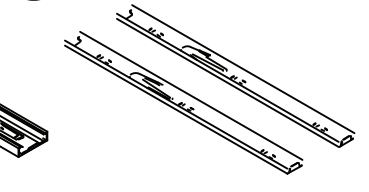
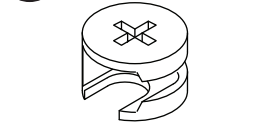
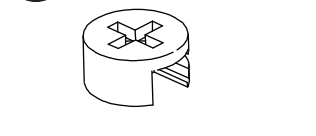
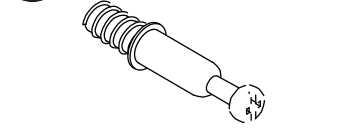
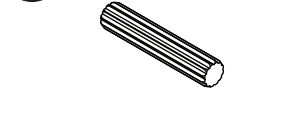
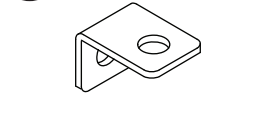
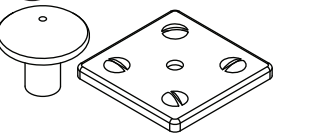
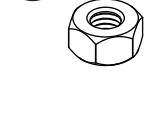
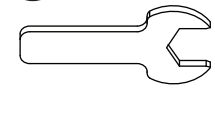
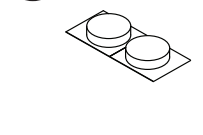
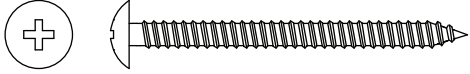
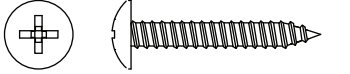
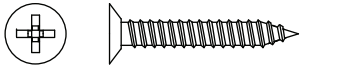
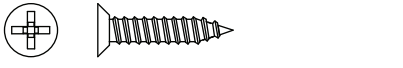
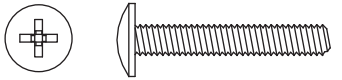
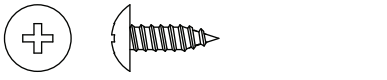

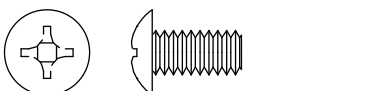

A	RIGHT LEG (1)	J	LARGE BACK (1)	S	LARGE DRAWER BACK (1)
B	LEFT LEG (1)	K	SHELF (1)	T	LARGE DRAWER BOTTOM (1)
C	CENTER LEG (1)	L	LARGE EXTENSION BLOCK (2)	U	DRAWER RIGHT SIDE (1)
D	TOP (1)	M	SMALL EXTENSION BLOCK (2)	V	DRAWER LEFT SIDE (1)
E	RIGHT END (1)	N	BRACE (1)	W	DRAWER BACK (1)
F	CENTER END (1)	O	LONG BRACE (2)	X	DRAWER BOTTOM (1)
G	CENTER UPRIGHT (1)	P	SHORT BRACE (2)	Y	DRAWER BRACE (1)
H	LEFT UPRIGHT (1)	Q	LARGE DRAWER RIGHT SIDE (1)	Z	DRAWER FRONT (1)
I	BACK (1)	R	LARGE DRAWER LEFT SIDE (1)	AA	LARGE DRAWER FRONT (1)



# Hardware Identification

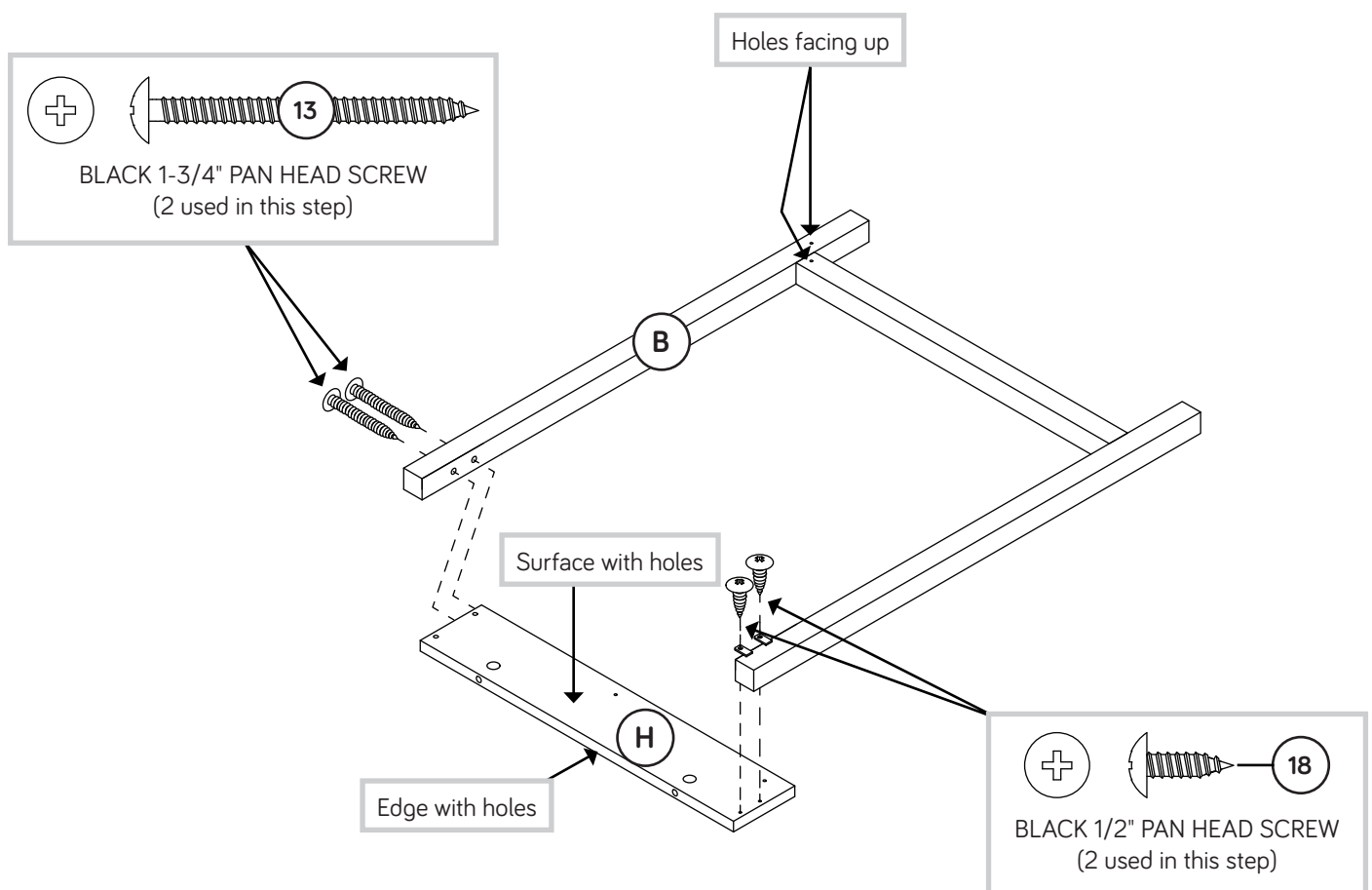
† Screws are shown actual size. You may receive extra hardware with your unit.

(EXTENSION SET SHOWN SEPARATED)

- |   |   |  |   |  |
|---|---|--|---|--|
| <p><b>1</b> LEFT RAIL - 1</p>                         | <p><b>2</b> RIGHT RAIL - 1</p>         | <p><b>3</b> EXTENSION RAIL - 2</p>                   | <p><b>4</b> EXTENSION SLIDE - 2</p>  |  |
| <p><b>5</b> HIDDEN CAM - 12</p>                       | <p><b>6</b> SMALL HIDDEN CAM - 12</p>  | <p><b>7</b> CAM SCREW - 24</p>                       | <p><b>8</b> WOOD DOWEL - 4</p>       |  |
| <p><b>9</b> METAL BRACKET - 6</p>                   | <p><b>10</b> KNOB SET - 2</p>        | <p><b>11</b> NUT - 1</p>                            | <p><b>12</b> TOOL - 1</p>          | <p><b>22</b> BUMPER CARD - 1</p>  |
| <p><b>13</b> BLACK 1-3/4" PAN HEAD SCREW - 10</p>  |   | <p><b>14</b> BLACK 1" PAN HEAD SCREW - 4</p>       |   |  |
| <p><b>15</b> BLACK 1" FLAT HEAD SCREW - 8</p>      |   | <p><b>16</b> BLACK 11/16" FLAT HEAD SCREW - 4</p>  |   |  |
| <p><b>23</b> BLACK 1" MACHINE SCREW - 2</p>        |   | <p><b>18</b> BLACK 1/2" PAN HEAD SCREW - 22</p>    |   |  |
| <p><b>19</b> BLACK 1/2" FLAT HEAD SCREW - 12</p>   |   | <p><b>20</b> BLACK 1/2" MACHINE SCREW - 4</p>      |   |  |
| <p><b>21</b> BLACK 5/16" MACHINE SCREW - 1</p>     |   |  |   |  |

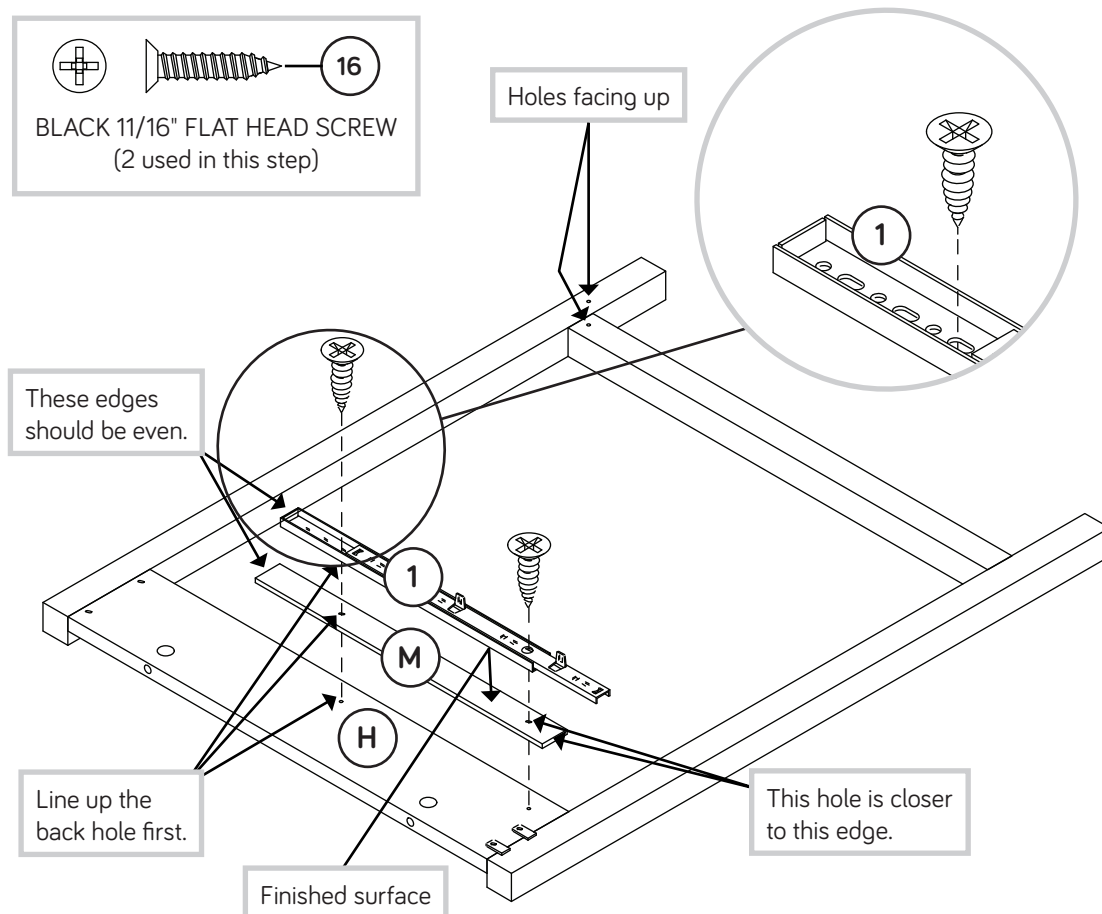
# Step 1

- ✚ Assemble your unit on a carpeted floor or on the empty carton to avoid scratching your unit or the floor.
- ✚ Fasten the LEFT LEG (B) to the LEFT UPRIGHT (H). Use two BLACK 1-3/4" PAN HEAD SCREWS (13) and two BLACK 1/2" PAN HEAD SCREWS (18).



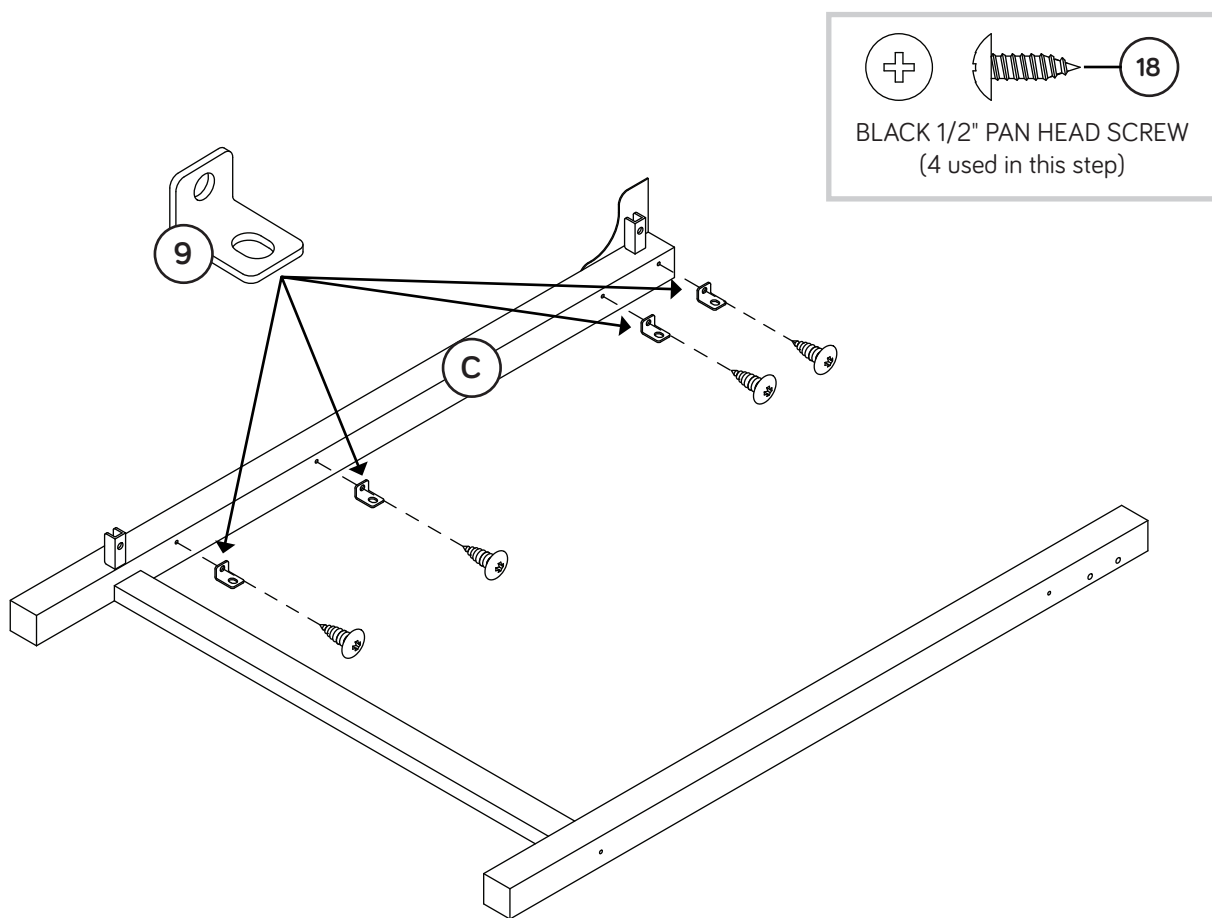
# Step 2

- ✚ Fasten the LEFT RAIL (1) and one of the SMALL EXTENSION BLOCKS (M) to the LEFT UPRIGHT (H) exactly as shown. Use two BLACK 11/16" FLAT HEAD SCREWS (16).
- ✚ NOTE: Find the back hole first. Then, slide the inner cartridge of the LEFT RAIL in to find the other hole that lines up with the hole in the SMALL EXTENSION BLOCK and LEFT UPRIGHT. Turn a SCREW into this hole.
- ✚ NOTE: You should start each SCREW a few turns before completely tightening any of them.



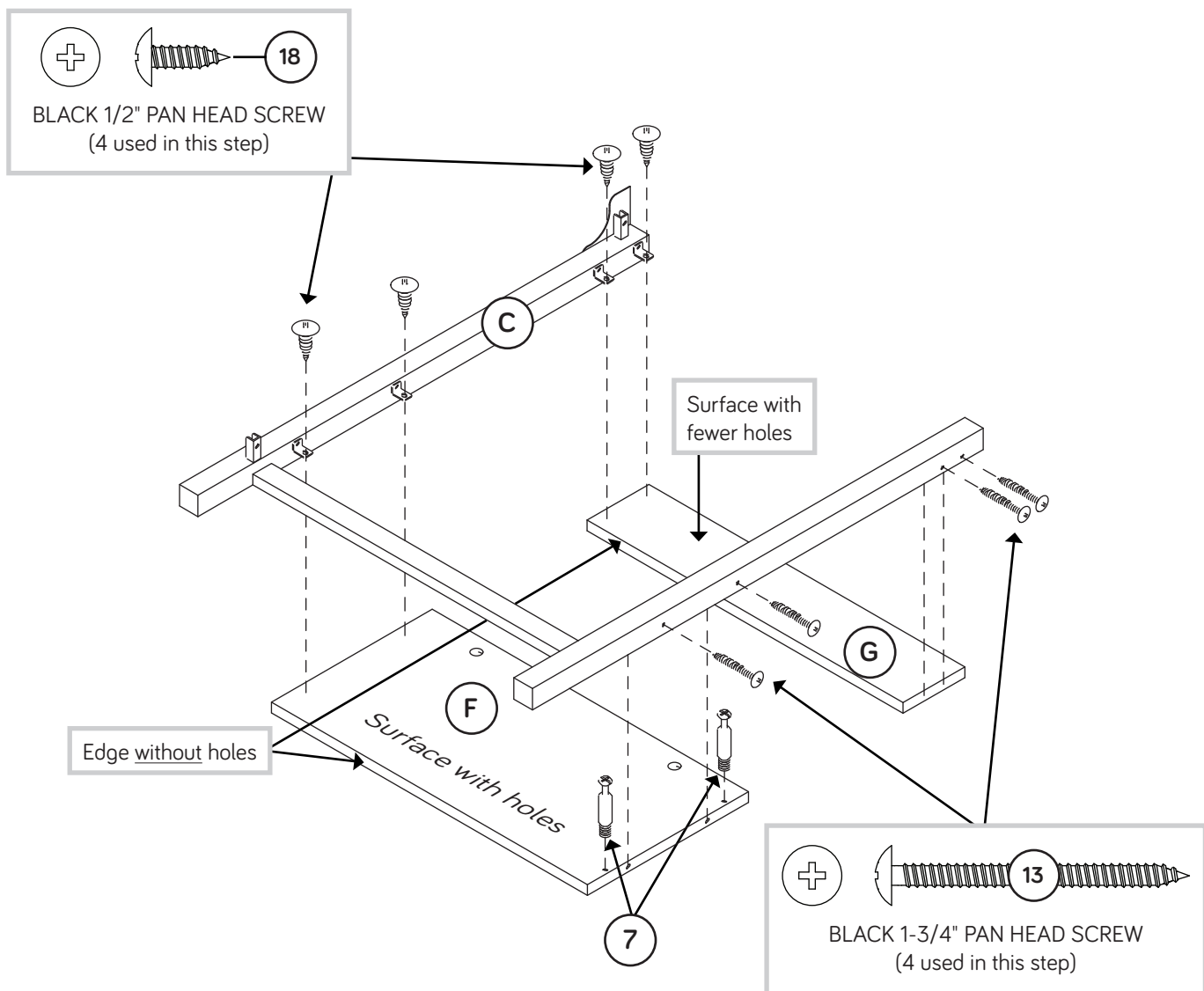
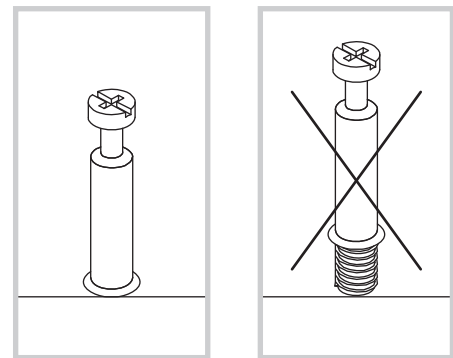
# Step 3

- Fasten four METAL BRACKETS (9) to the CENTER LEG (C) exactly as shown. Use four BLACK 1/2" PAN HEAD SCREWS (18).



# Step 4

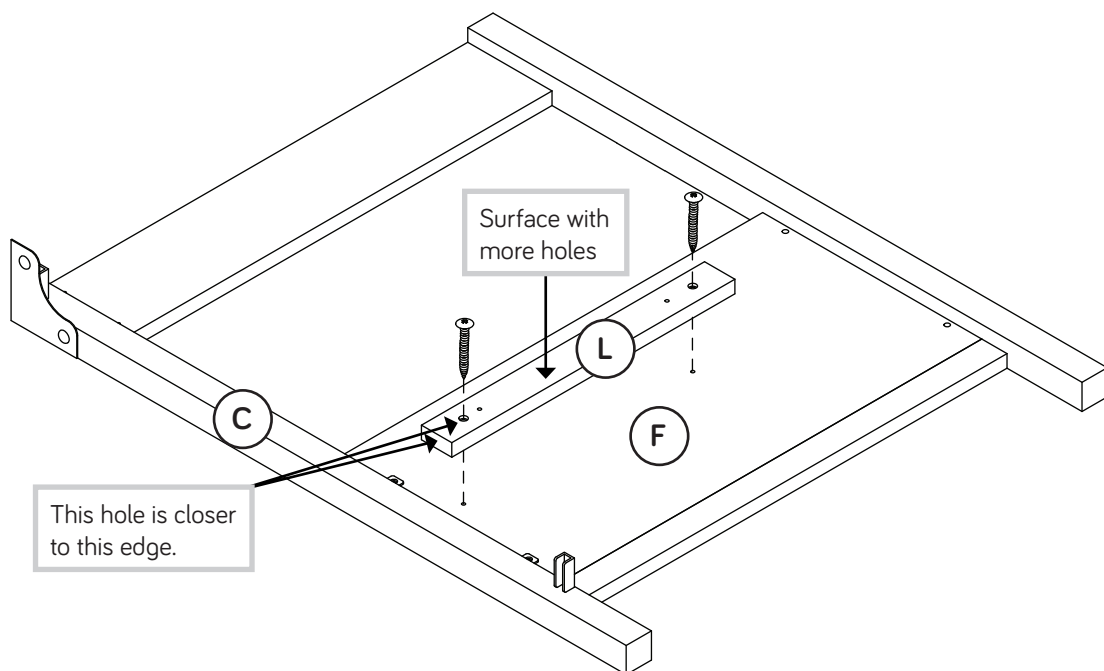
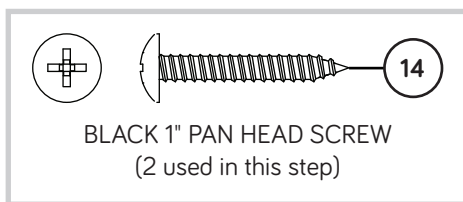
- Fasten the CENTER LEG (C) to the CENTER END (F) and CENTER UPRIGHT (G). Use four BLACK 1/2" PAN HEAD SCREWS (18) through the METAL BRACKETS on the CENTER LEG and into the CENTER END and CENTER UPRIGHT.
- Finish fastening the CENTER LEG (C) to the CENTER END (F) and CENTER UPRIGHT (G). Use four BLACK 1-3/4" PAN HEAD SCREWS (13).
- Turn two CAM SCREWS (7) into the CENTER END (F).





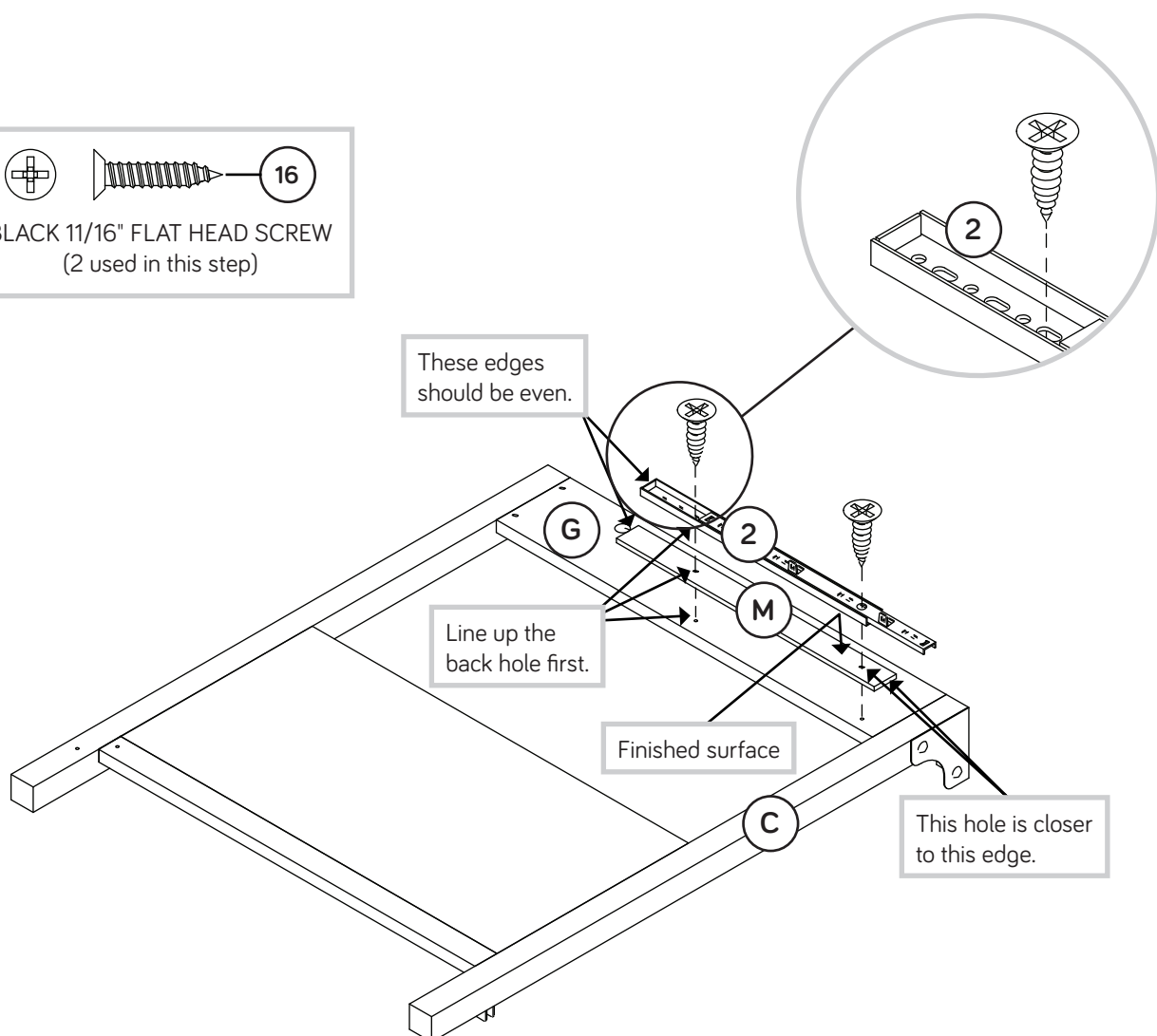
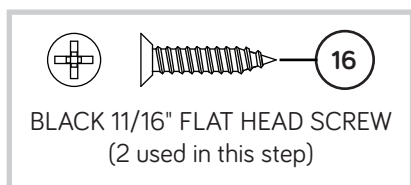
# Step 5

- Fasten one of the LARGE EXTENSION BLOCKS (L) to the CENTER END (F). Use two BLACK 1" PAN HEAD SCREWS (14) in the outer holes.



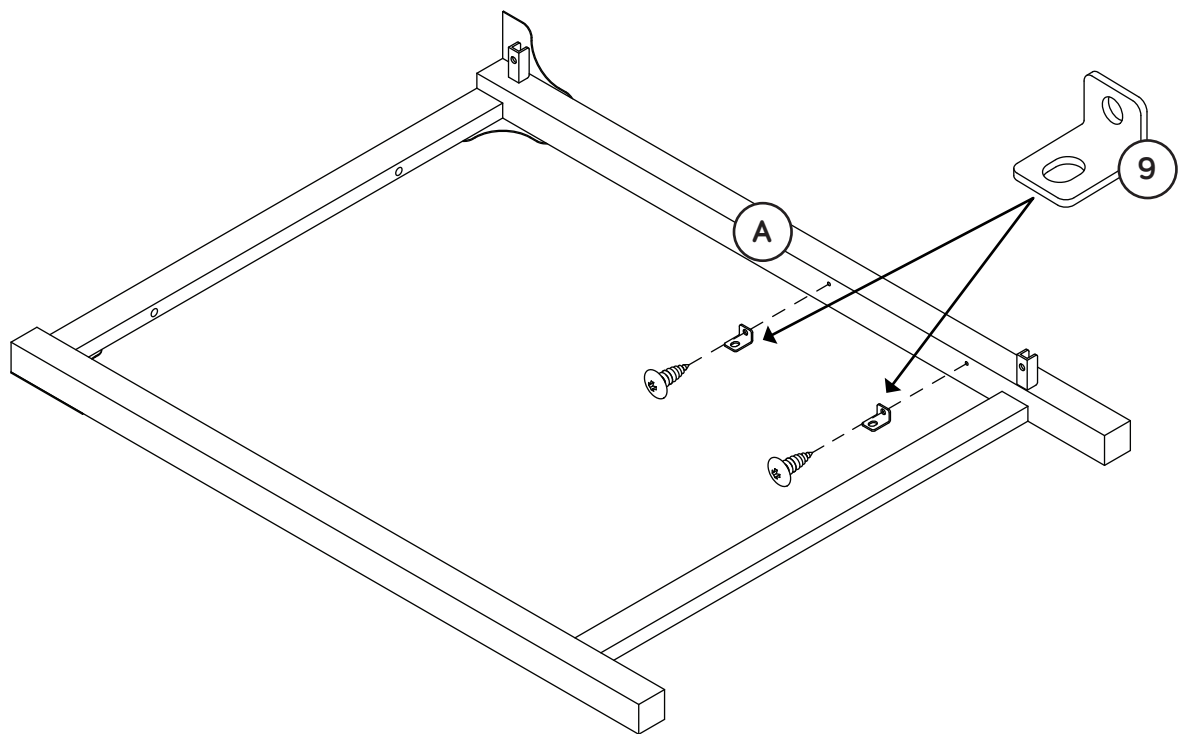
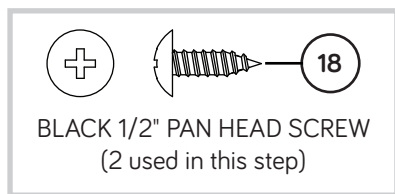
# Step 6

- ✚ Carefully flip the CENTER LEG (C) over.
- ✚ Fasten the RIGHT RAIL (2) and the remaining SMALL EXTENSION BLOCK (M) to the CENTER UPRIGHT (G) exactly as shown. Use two BLACK 11/16" FLAT HEAD SCREWS (16).
- ✚ **NOTE:** Find the back hole first. Then, slide the inner cartridge of the RIGHT RAIL in to find the other hole that lines up with the hole in the SMALL EXTENSION BLOCK and CENTER UPRIGHT. Turn a SCREW into this hole.



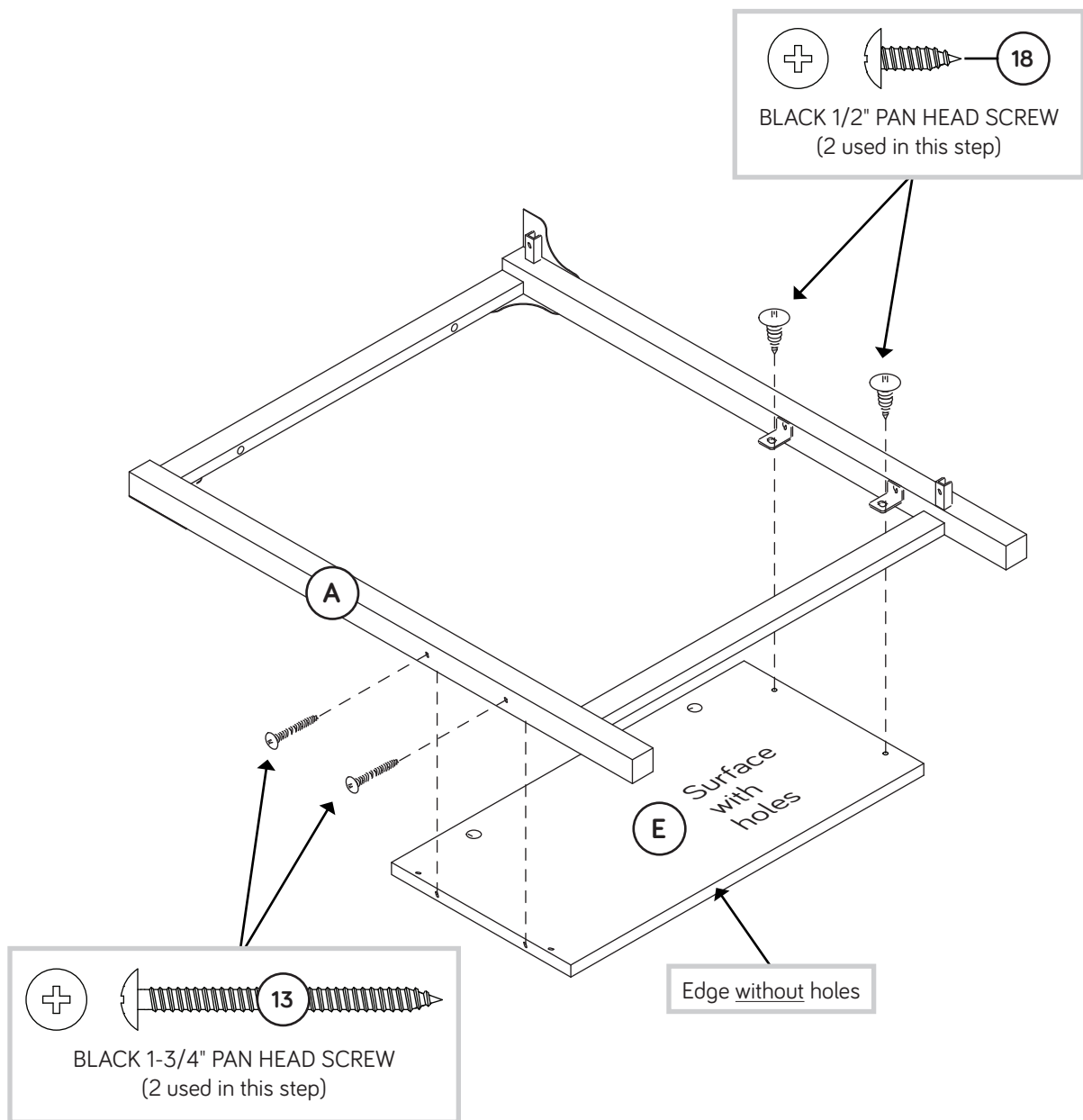
# Step 7

- Fasten two METAL BRACKETS (9) to the RIGHT LEG (A) exactly as shown. Use two BLACK 1/2" PAN HEAD SCREWS (18).



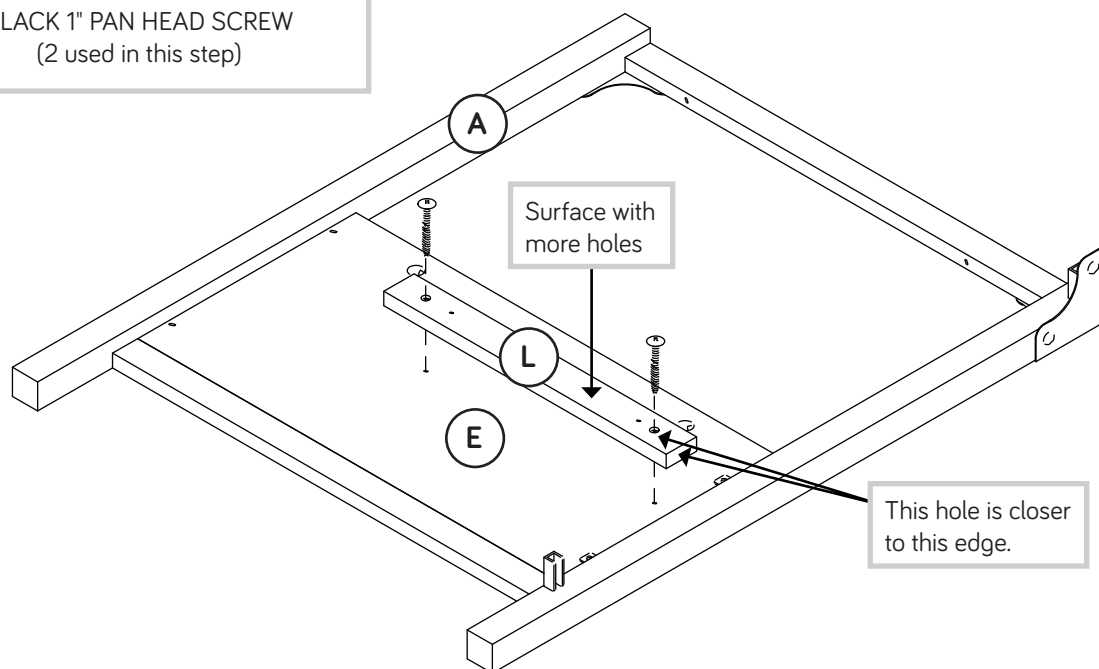
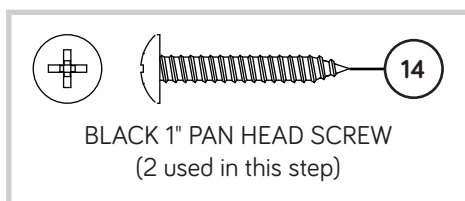
# Step 8

- Fasten the RIGHT LEG (A) to the RIGHT END (E). Use two BLACK 1/2" PAN HEAD SCREWS (18) through the METAL BRACKETS on the RIGHT LEG and into the RIGHT END.
- Finish fastening the RIGHT LEG (A) to the RIGHT END (E). Use two BLACK 1-3/4" PAN HEAD SCREWS (13).



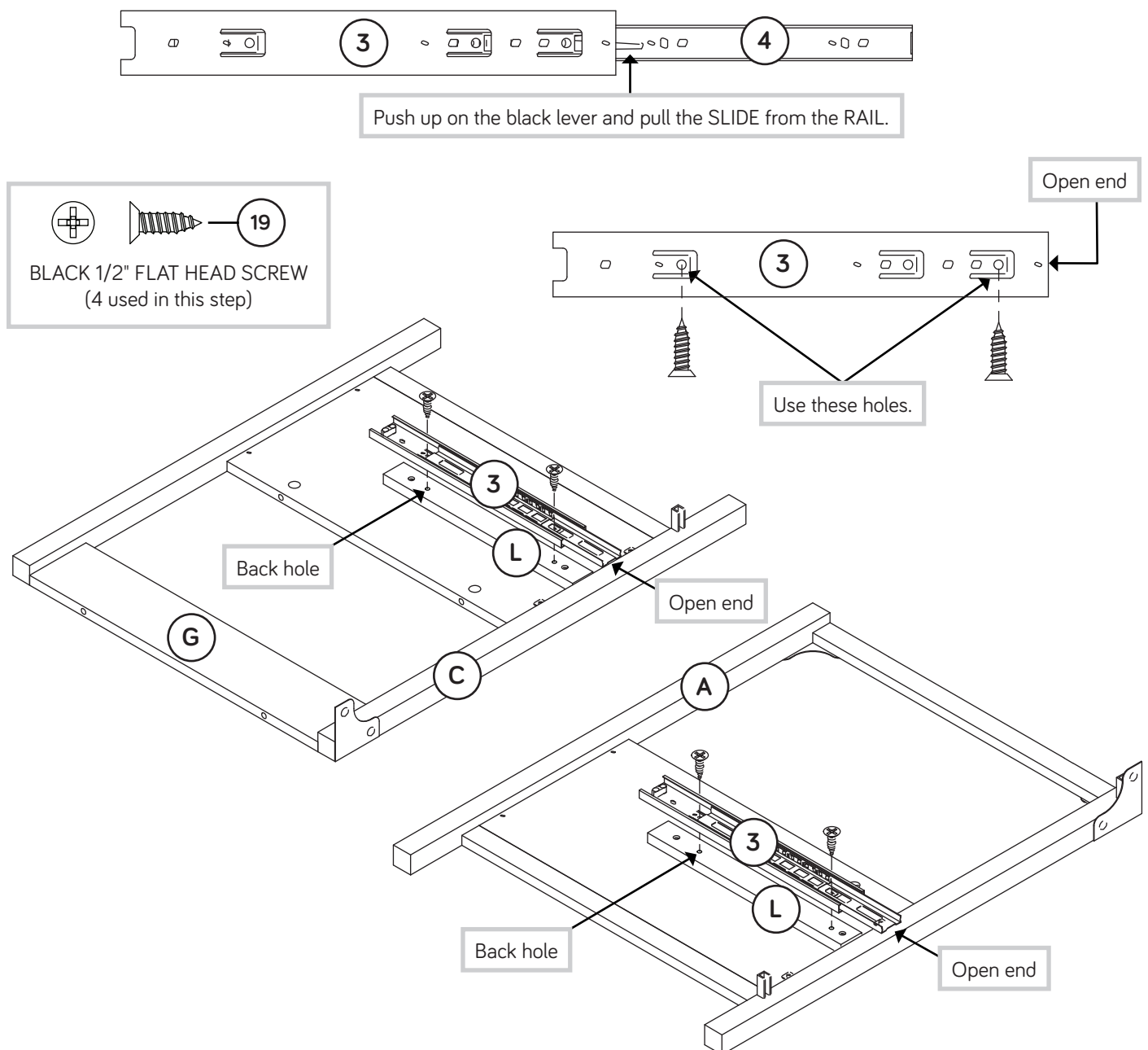
# Step 9

- Fasten the remaining LARGE EXTENSION BLOCK (L) to the RIGHT END (E). Use two BLACK 1" PAN HEAD SCREWS (14) in the outer holes.



# Step 10

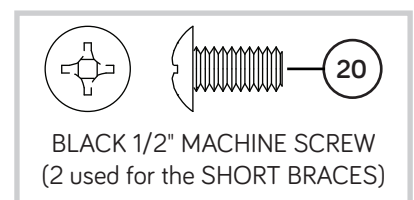
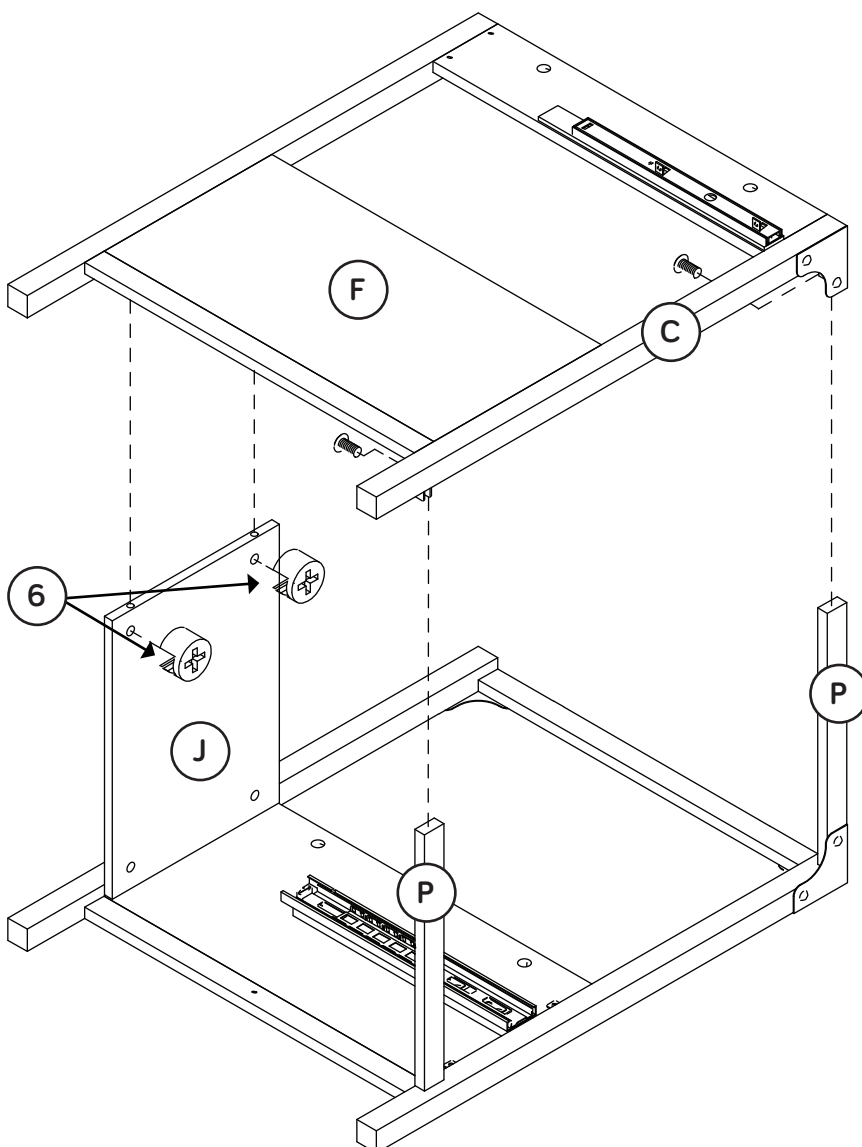
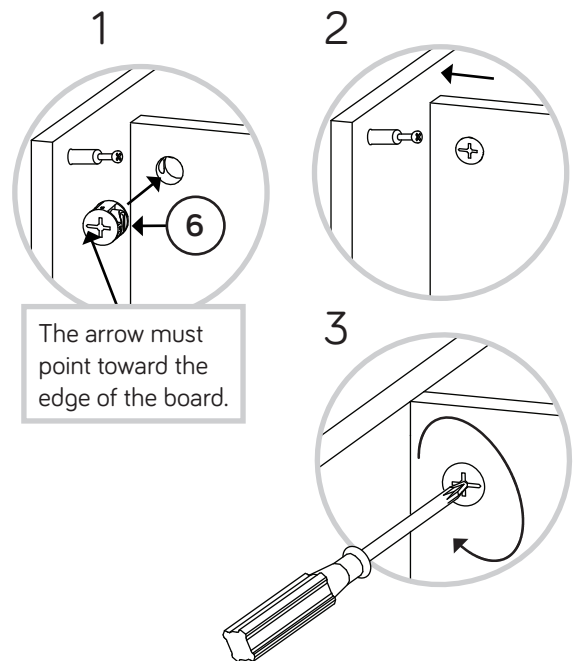
- ✦ Separate the EXTENSION SLIDES (4) from the EXTENSION RAILS (3) as shown in the enlarged diagram below. Be prepared, the parts are greasy.
- ✦ Fasten the EXTENSION RAILS (3) to the LARGE EXTENSION BLOCKS (L). Use four BLACK 1/2" FLAT HEAD SCREWS (19).
- ✦ **NOTE:** For each EXTENSION RAIL, turn a SCREW into the back hole. Then, slide the inner cartridge of the EXTENSION RAIL in to find the other hole that lines up with the hole in the LARGE EXTENSION BLOCK. Turn a SCREW into this hole.
- ✦ **NOTE:** The EXTENSION SLIDES will be used later for the LARGE DRAWER.





# Step 12

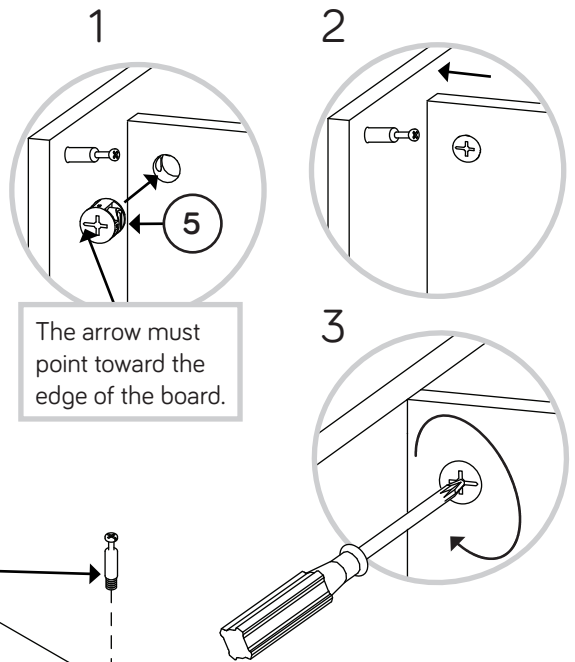
- ✚ Insert two SMALL HIDDEN CAMS (6) into the LARGE BACK (J).
- ✚ Fasten the CENTER END (F) to the LARGE BACK (J). Tighten two HIDDEN CAMS.
- ✚ Fasten the CENTER LEG (C) to the SHORT BRACES (P). Use two BLACK 1/2" MACHINE SCREWS (20).



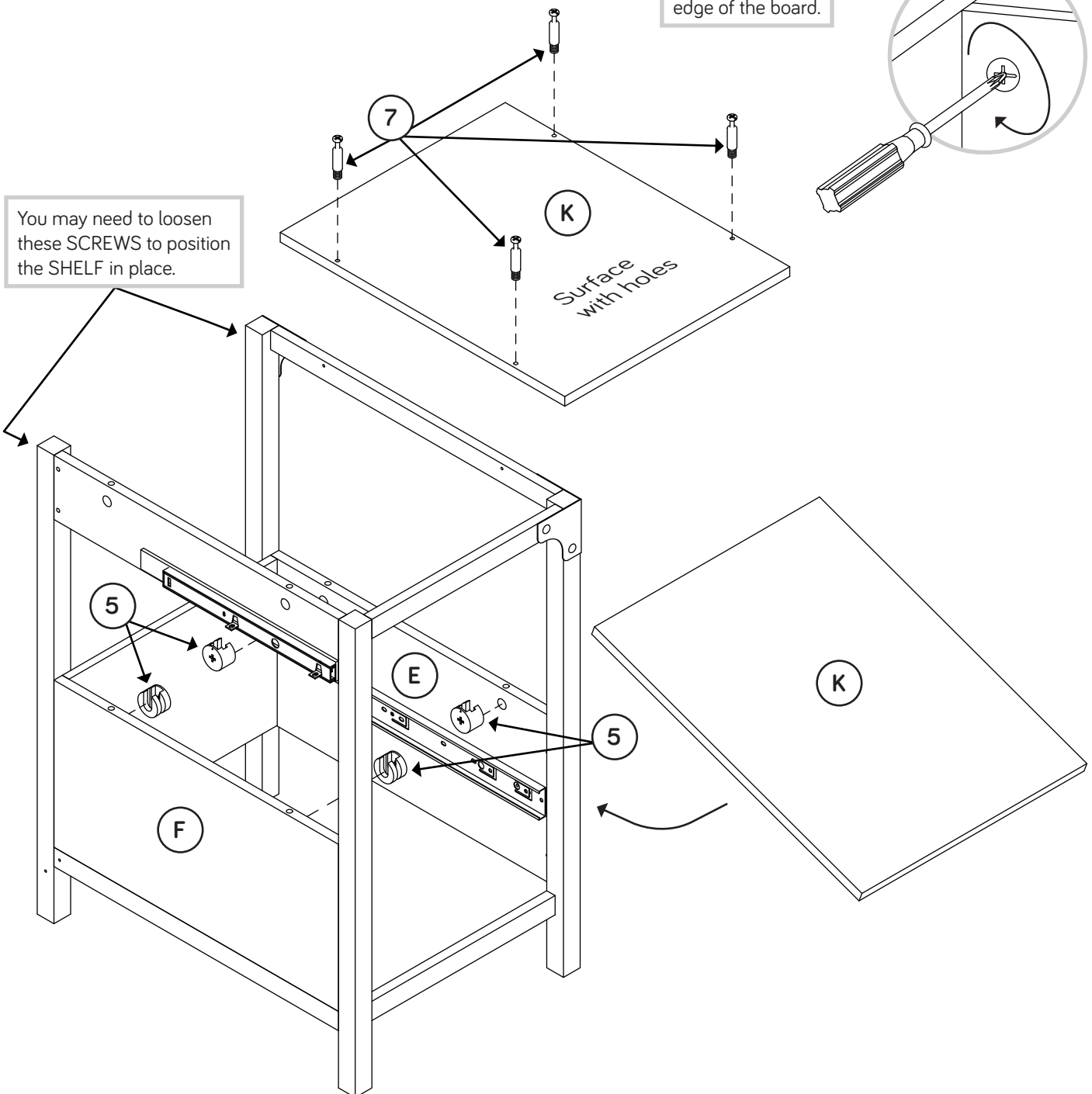


# Step 13

- ✚ Carefully stand your unit upright.
- ✚ Turn four CAM SCREWS (7) into the SHELF (K).
- ✚ Insert four HIDDEN CAMS (5) into the ENDS (E and F).
- ✚ Fasten the SHELF (K) to the ENDS (E and F). Tighten four HIDDEN CAMS.

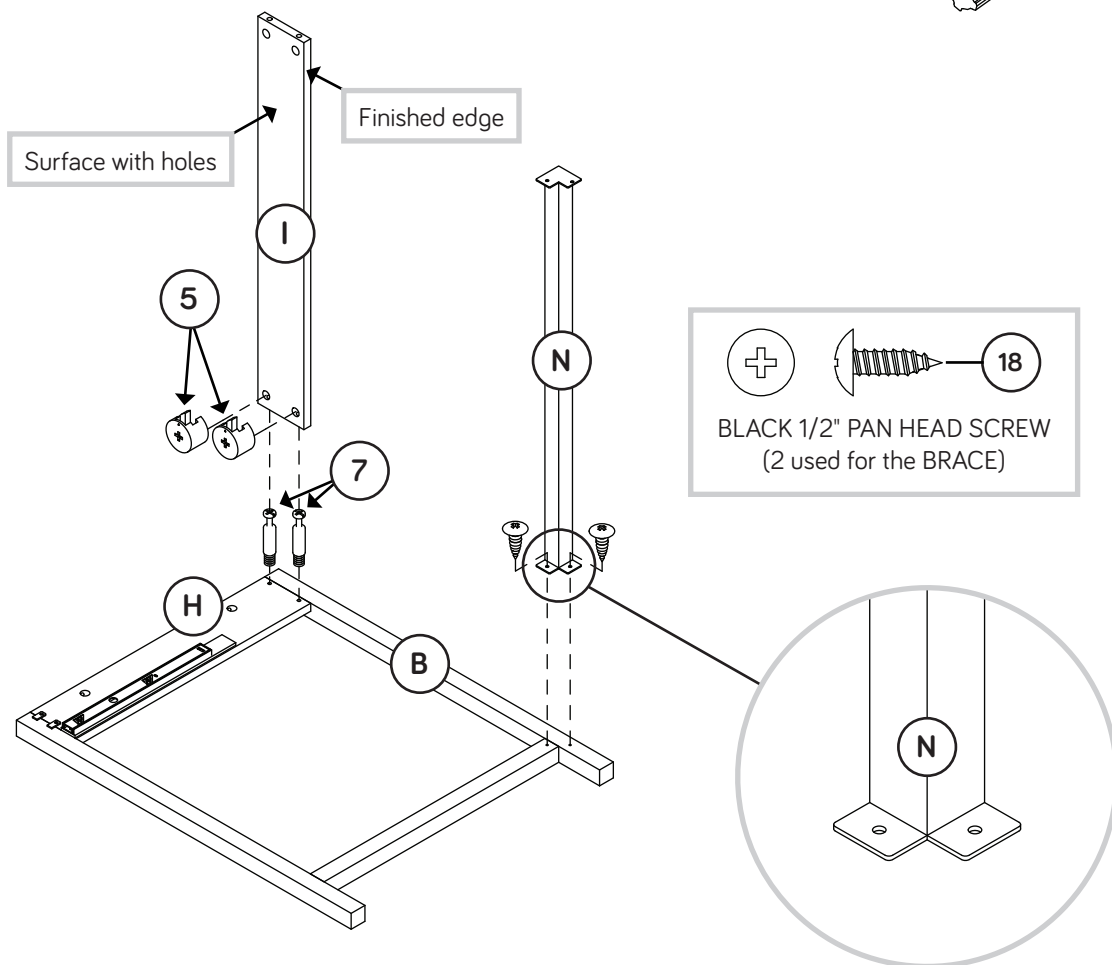
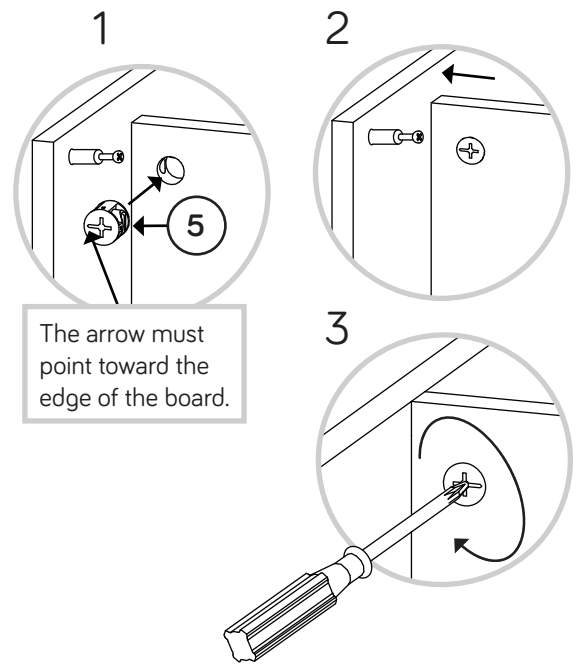


You may need to loosen these SCREWS to position the SHELF in place.



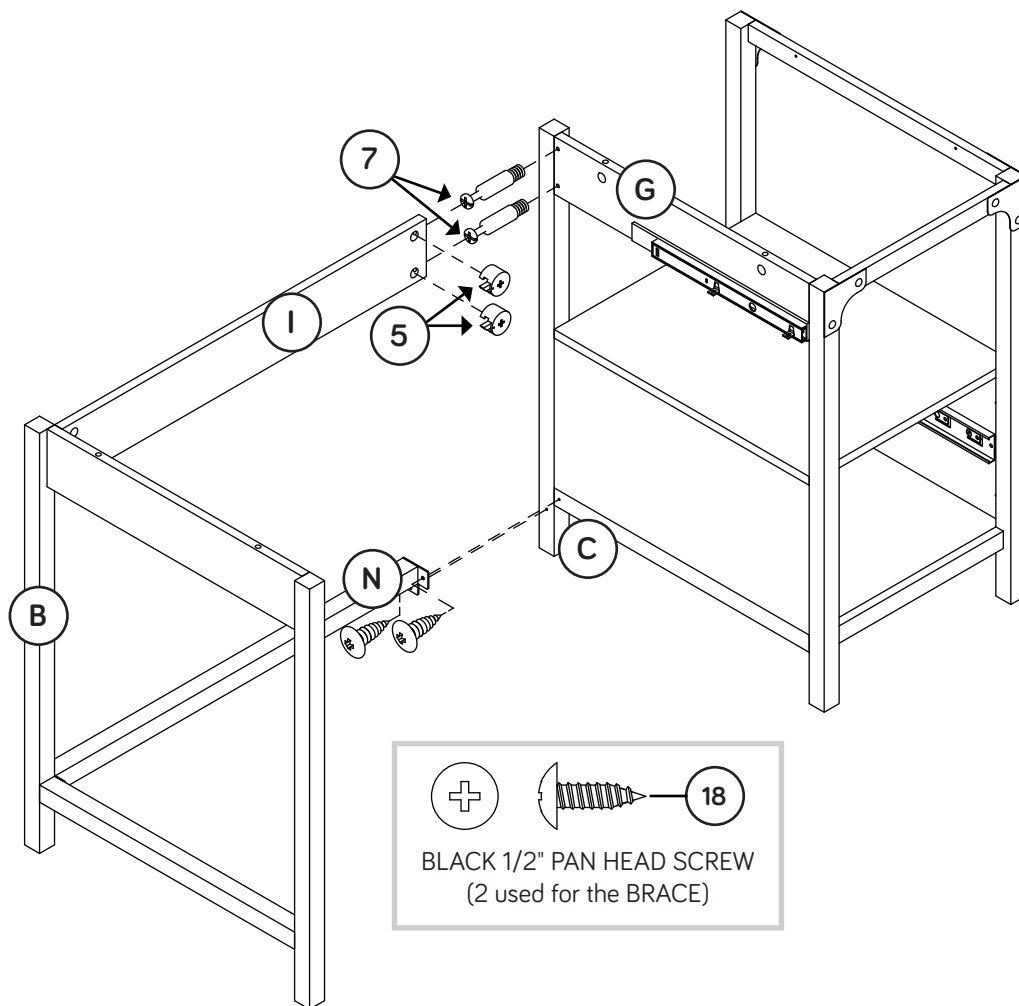
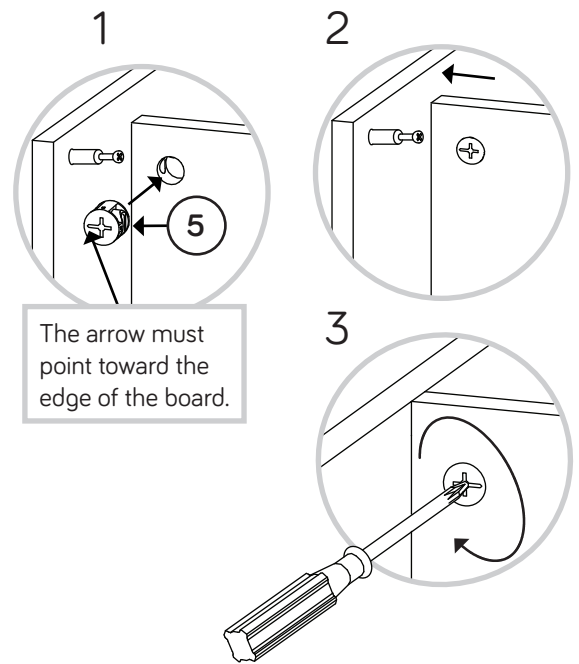
# Step 14

- Turn two CAM SCREWS (7) into the LEFT UPRIGHT (H).
- Insert two HIDDEN CAMS (5) into the BACK (I).
- Fasten the BACK (I) to the LEFT UPRIGHT (H). Tighten two HIDDEN CAMS.
- Fasten the BRACE (N) to the LEFT LEG (B). Use two BLACK 1/2" PAN HEAD SCREWS (18).



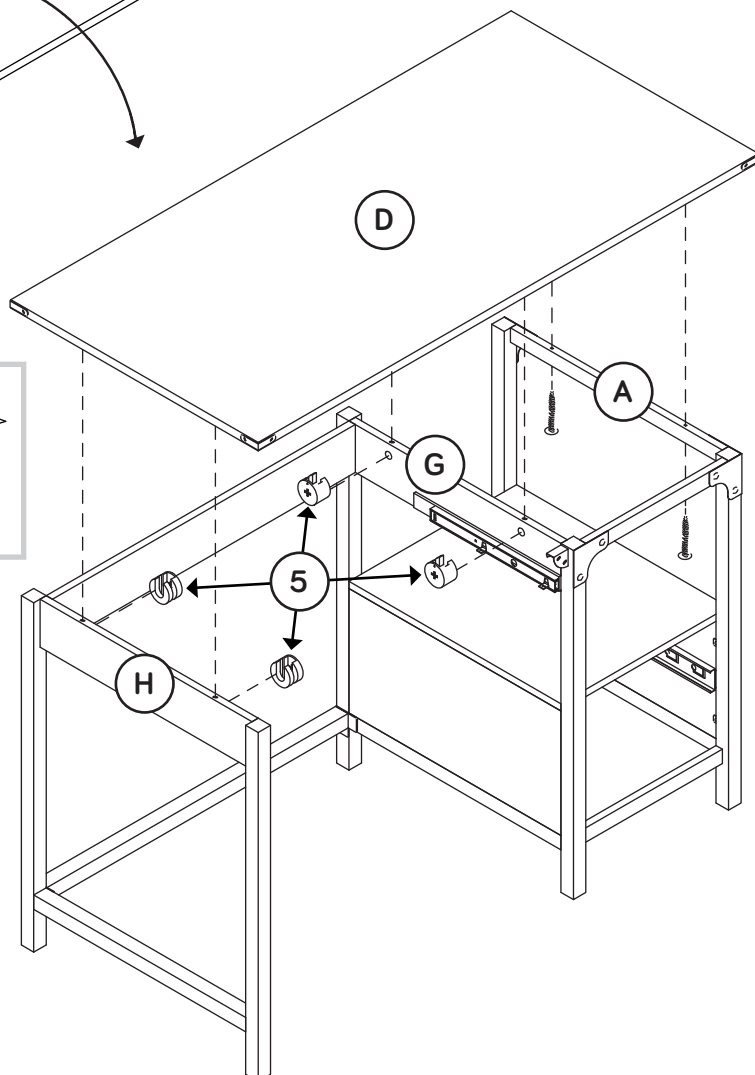
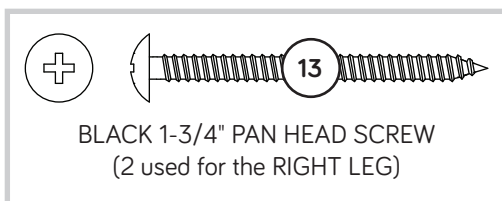
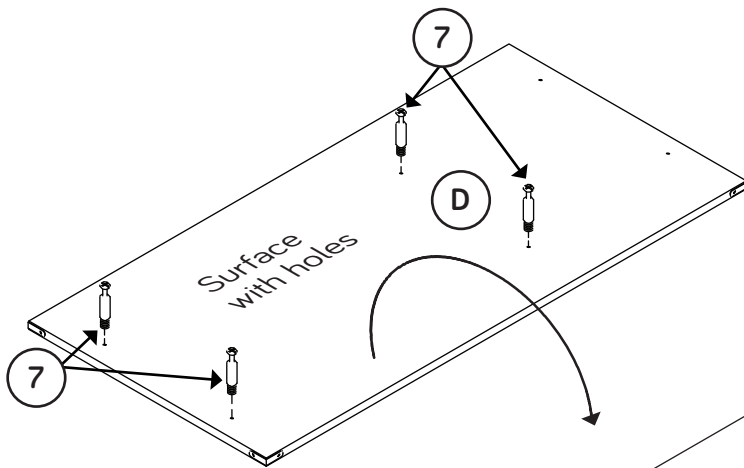
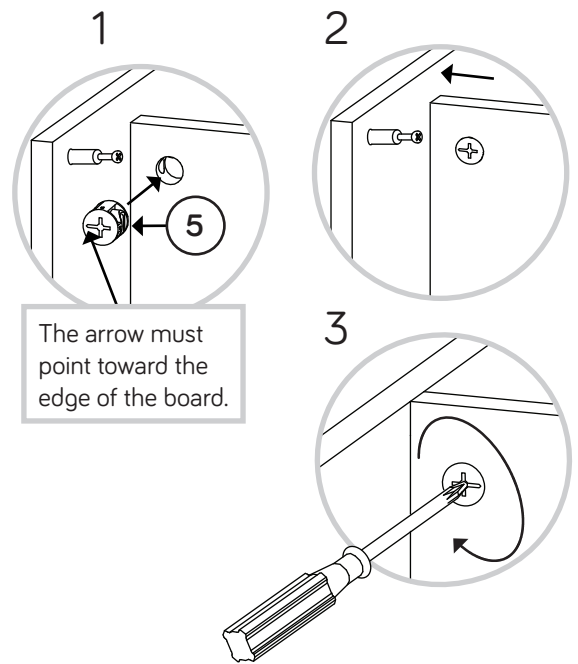
# Step 15

- ✚ Carefully stand the LEFT LEG (B) upright.
- ✚ Turn two CAM SCREWS (7) into the CENTER UPRIGHT (G).
- ✚ Insert two HIDDEN CAMS (5) into the BACK (I).
- ✚ Fasten the BACK (I) to the CENTER UPRIGHT (G). Tighten two HIDDEN CAMS.
- ✚ Fasten the BRACE (N) to the CENTER LEG (C). Use two BLACK 1/2" PAN HEAD SCREWS (18).



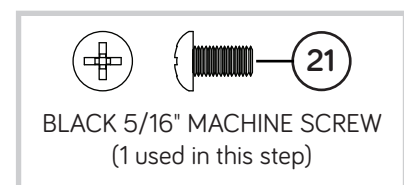
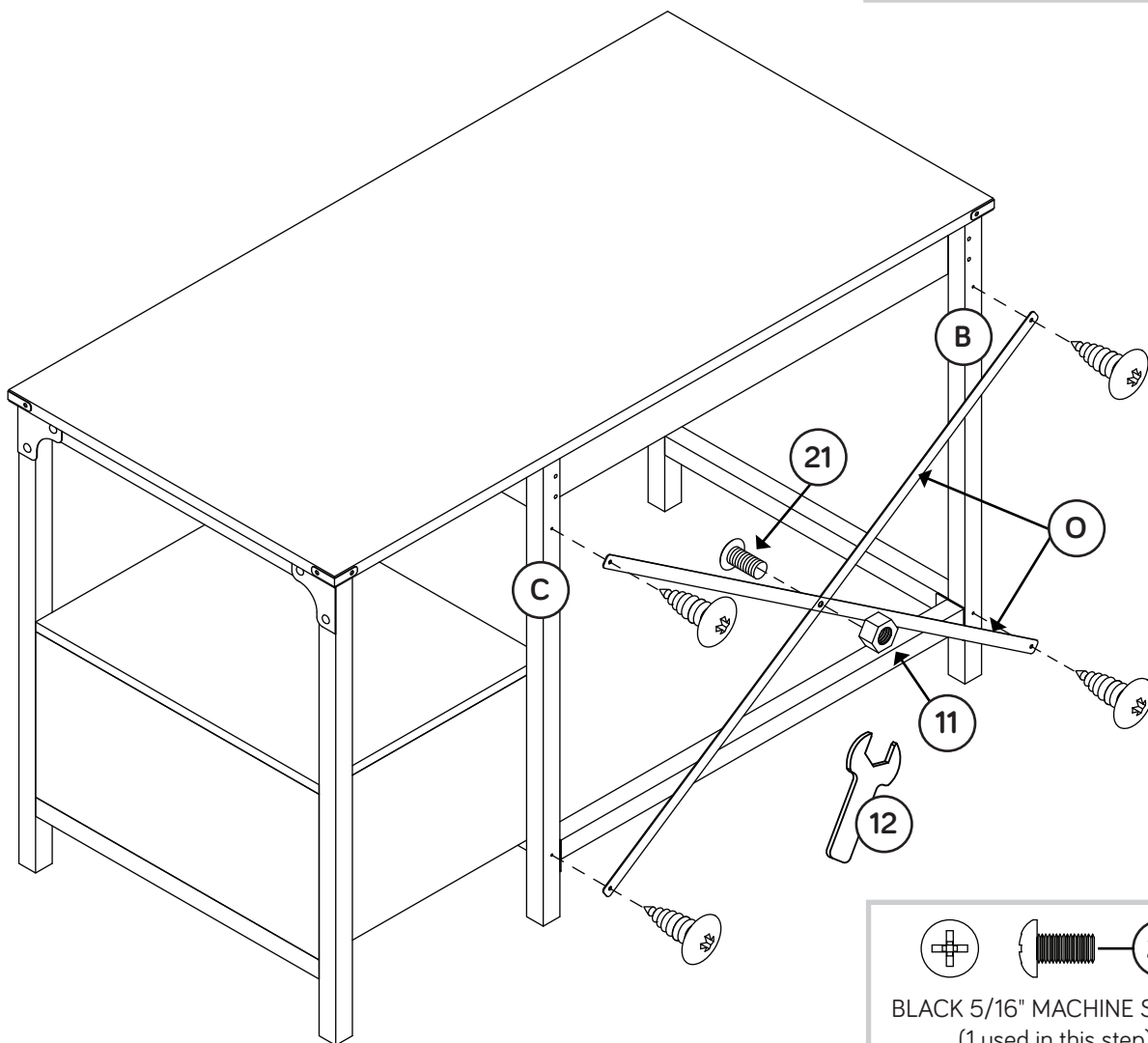
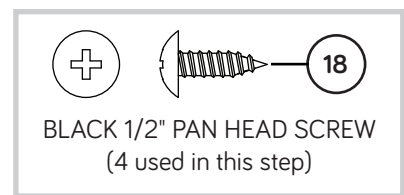
# Step 16

- ✚ Turn four CAM SCREWS (7) into the TOP (D).
- ✚ Insert four HIDDEN CAMS (5) into the UPRIGHTS (G and H).
- ✚ Fasten the TOP (D) to the UPRIGHTS (G and H). Tighten four HIDDEN CAMS.
- ✚ Fasten the TOP (D) to the RIGHT LEG (A). Use two BLACK 1-3/4" PAN HEAD SCREWS (13).



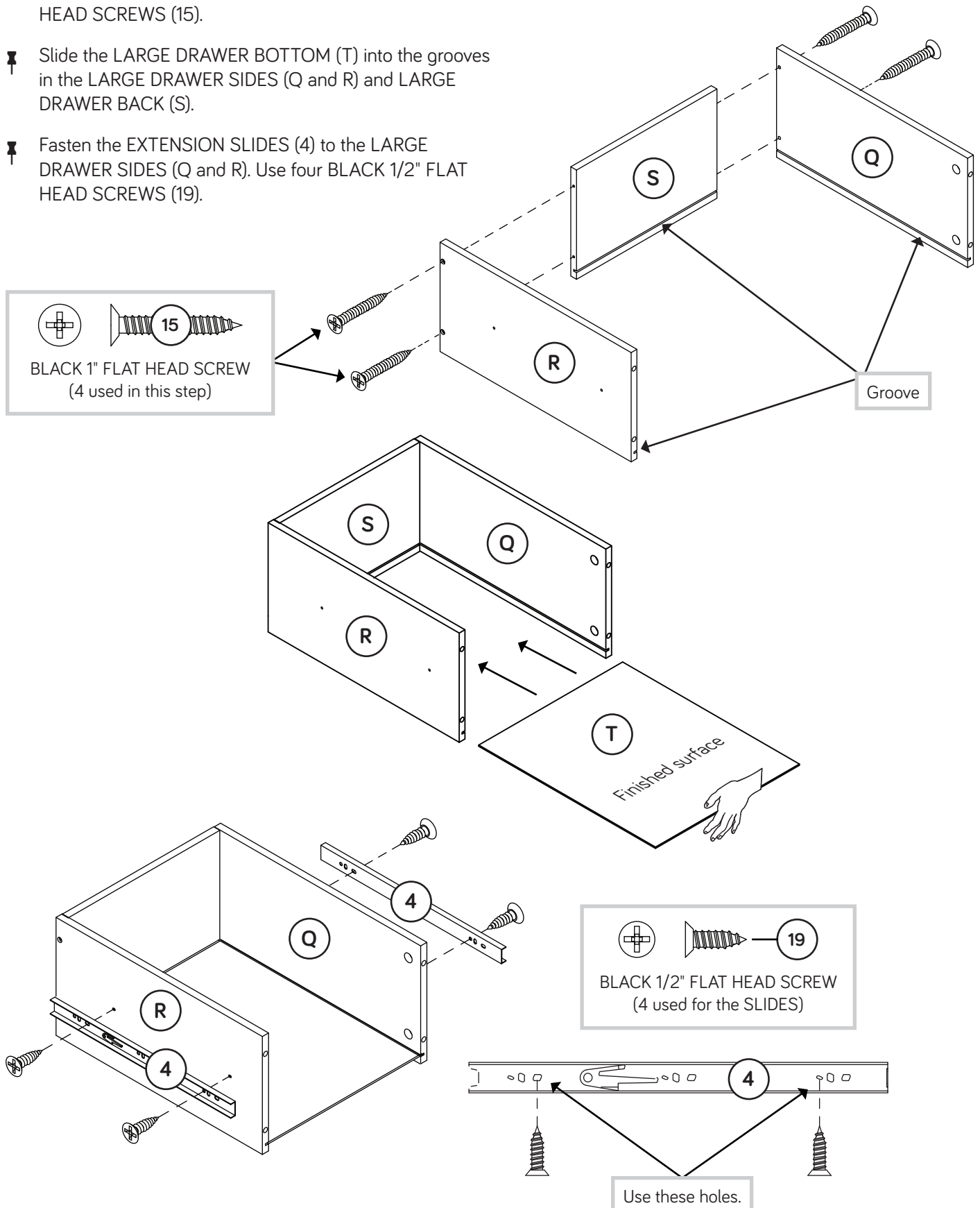
# Step 17

- ✚ Fasten the LONG BRACES (O) to the LEGS (B and C). Use four BLACK 1/2" PAN HEAD SCREWS (18).
- ✚ NOTE: Start all the SCREWS a few turns before tightening them.
- ✚ Fasten the LONG BRACES (O) together. Use the BLACK 5/16" MACHINE SCREW (21) and NUT (11) in the center holes in the LONG BRACES exactly as shown.
- ✚ NOTE: If the center holes in the LONG BRACES (O) do not line up, loosen the SCREWS in the LEGS and then retighten once the LONG BRACES are fastened together.
- ✚ NOTE: Tighten the NUT using the TOOL (12).



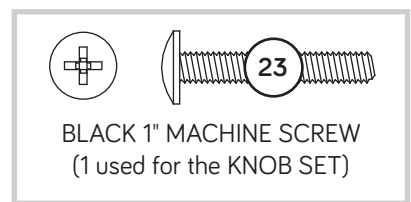
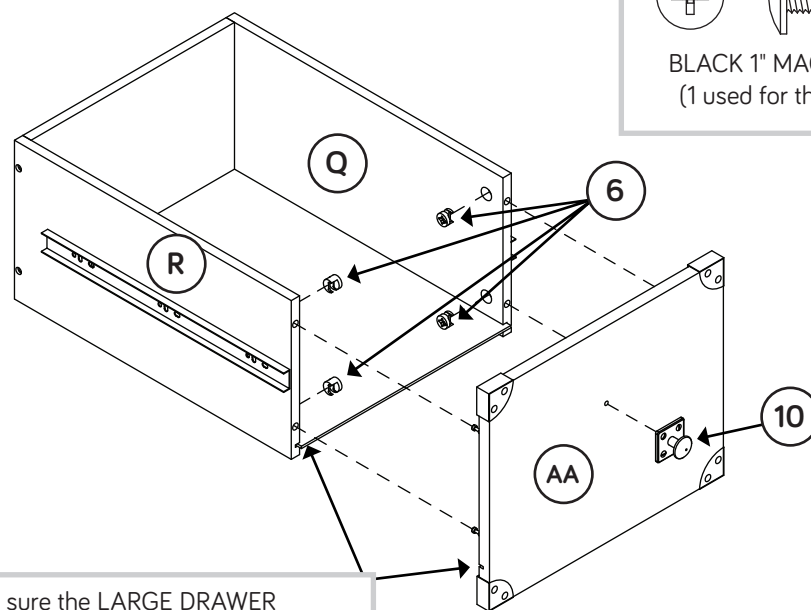
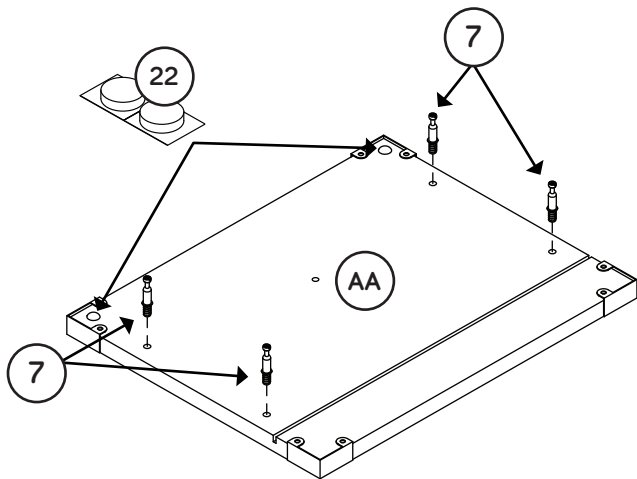
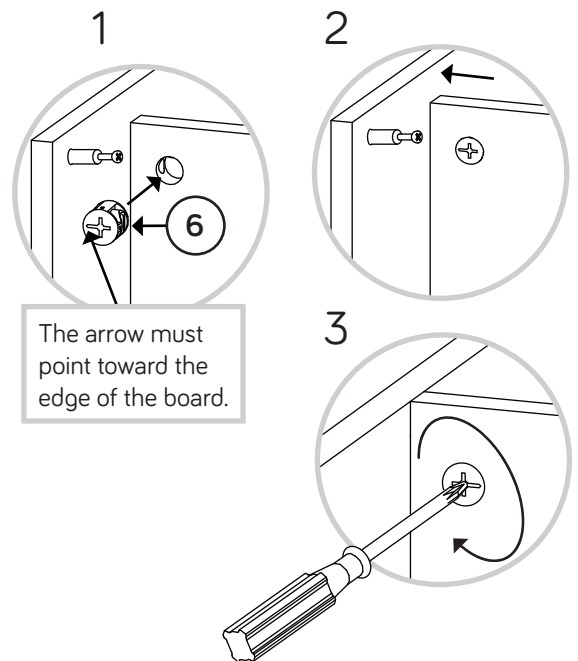
# Step 18

- Fasten the LARGE DRAWER SIDES (Q and R) to the LARGE DRAWER BACK (S). Use four BLACK 1" FLAT HEAD SCREWS (15).
- Slide the LARGE DRAWER BOTTOM (T) into the grooves in the LARGE DRAWER SIDES (Q and R) and LARGE DRAWER BACK (S).
- Fasten the EXTENSION SLIDES (4) to the LARGE DRAWER SIDES (Q and R). Use four BLACK 1/2" FLAT HEAD SCREWS (19).



# Step 19

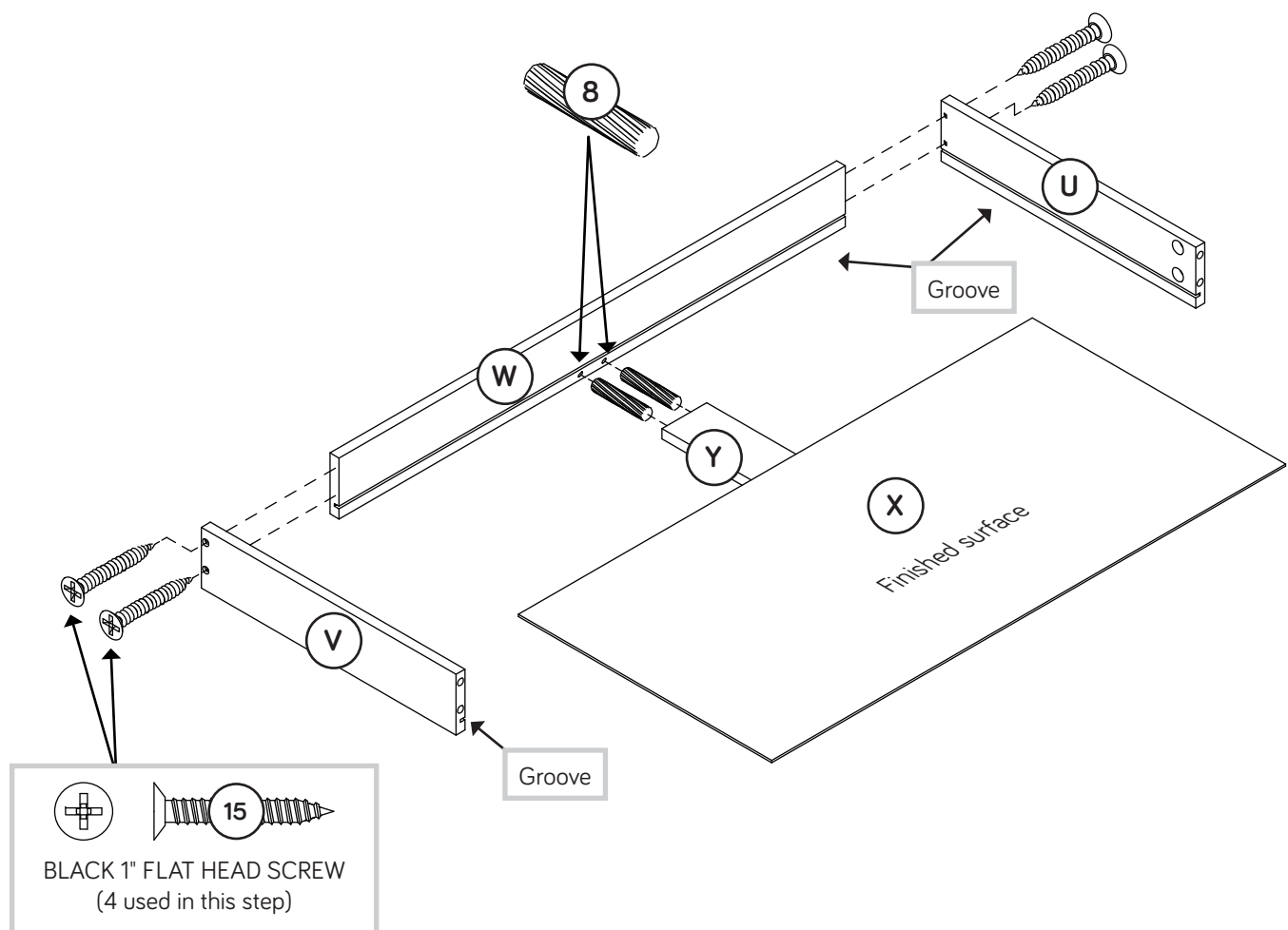
- Turn four CAM SCREWS (7) into the LARGE DRAWER FRONT (AA).
- Peel two BUMPERS from the BUMPER CARD (22) and stick them onto the LARGE DRAWER FRONT (AA) in the locations shown.
- Insert four SMALL HIDDEN CAMS (6) into the LARGE DRAWER SIDES (Q and R).
- Fasten the LARGE DRAWER FRONT (AA) to the LARGE DRAWER SIDES (Q and R). Tighten four HIDDEN CAMS.
- Fasten a KNOB SET (10) to the LARGE DRAWER FRONT (AA). Use one BLACK 1" MACHINE SCREW (23).



Be sure the LARGE DRAWER BOTTOM (T) inserts into the groove in the LARGE DRAWER FRONT (AA).

# Step 20

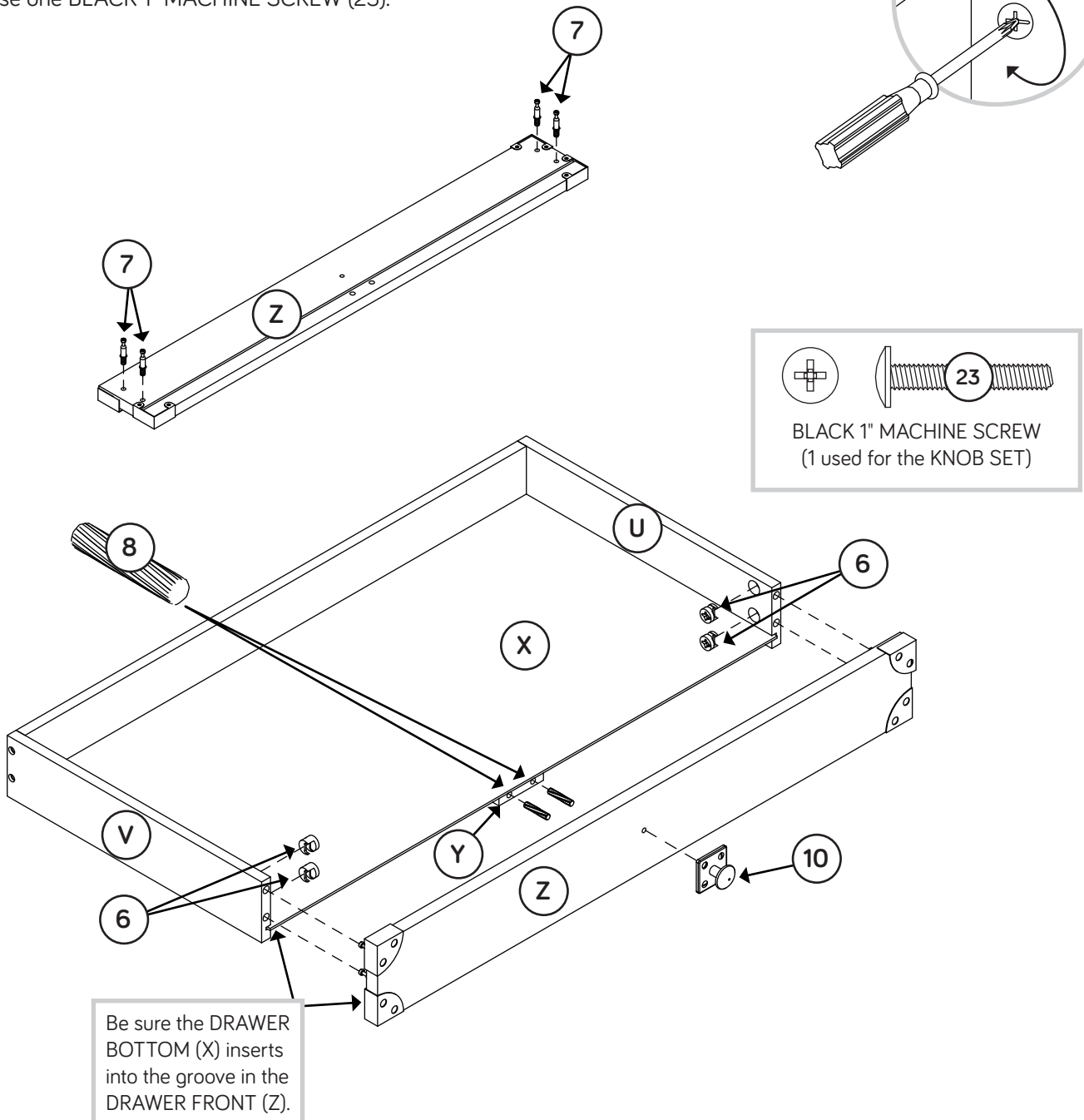
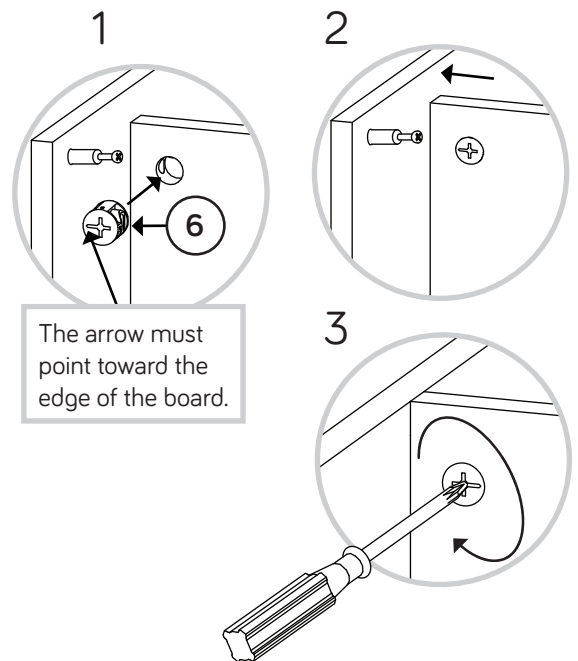
- ✚ Fasten the DRAWER SIDES (U and V) to the DRAWER BACK (W). Use four BLACK 1" FLAT HEAD SCREWS (15).
- ✚ Insert two WOOD DOWELS (8) into the holes in the DRAWER BACK (W).
- ✚ Push the DRAWER BRACE (Y) onto the WOOD DOWELS in the DRAWER BACK (W).
- ✚ Slide the DRAWER BOTTOM (X) into the grooves in the DRAWER SIDES (U and V) and DRAWER BACK (W).





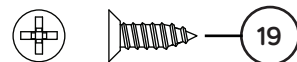
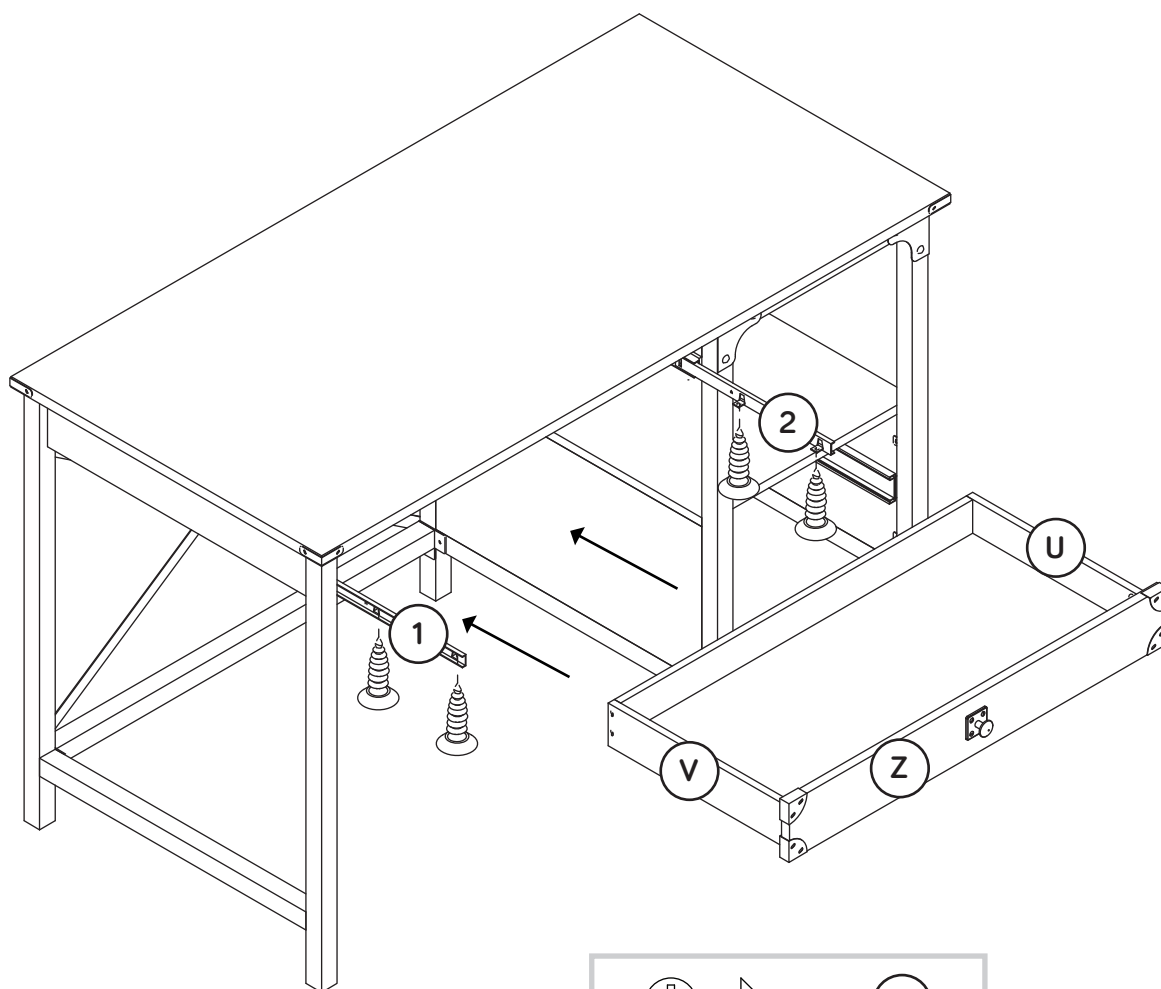
# Step 21

- ✚ Turn four CAM SCREWS (7) into the DRAWER FRONT (Z).
- ✚ Insert four SMALL HIDDEN CAMS (6) into the DRAWER SIDES (U and V).
- ✚ Insert two WOOD DOWELS (8) into the DRAWER BRACE (Y).
- ✚ Fasten the DRAWER FRONT (Z) to the DRAWER SIDES (U and V). Tighten four HIDDEN CAMS.
- ✚ **NOTE:** Be sure the WOOD DOWELS insert into the holes in the DRAWER FRONT.
- ✚ Fasten a KNOB SET (10) to the DRAWER FRONT (Z). Use one BLACK 1" MACHINE SCREW (23).



# Step 22

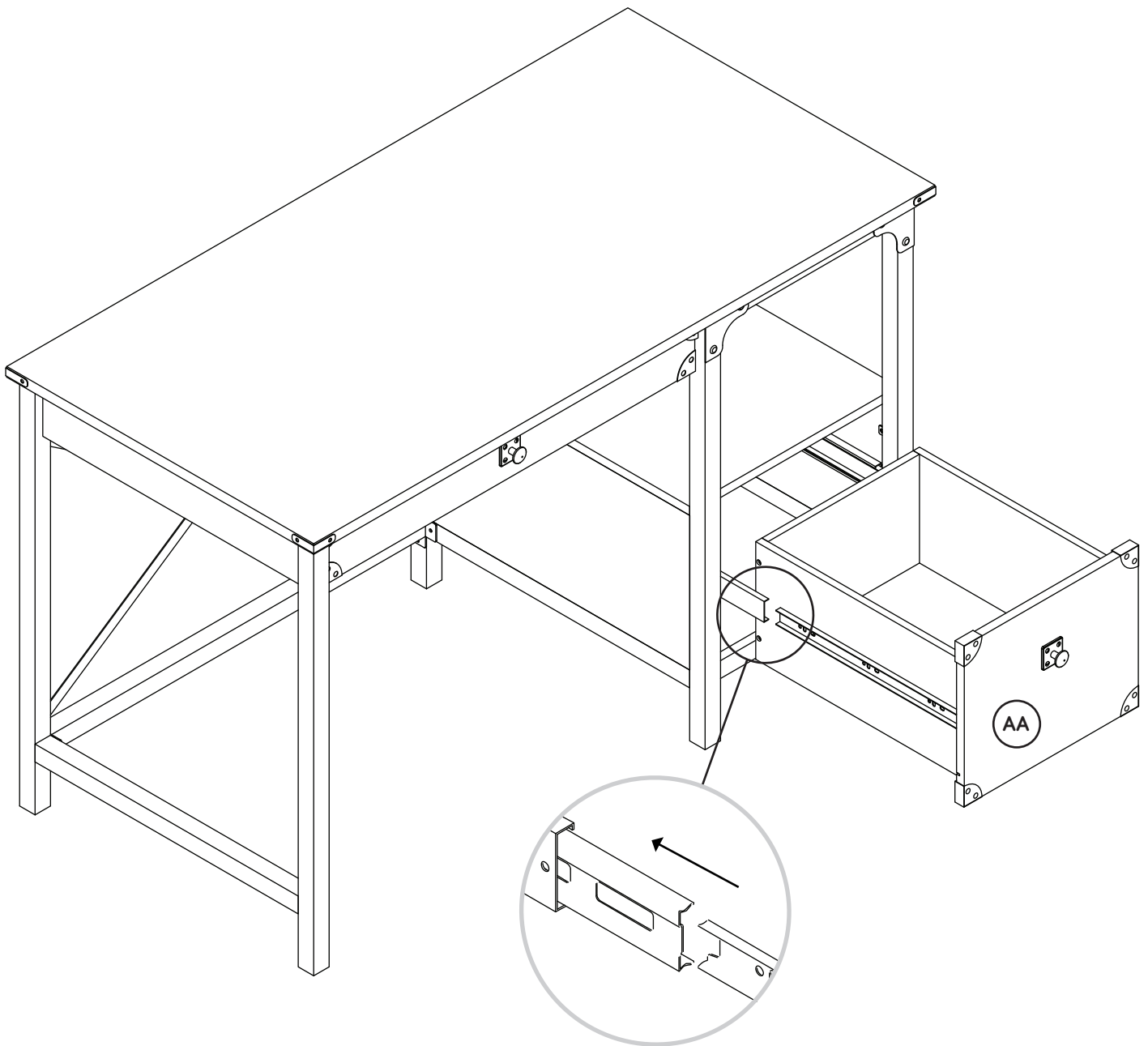
- ✚ Pull the extensions of the RAILS (1 and 2) out from the RAILS. Insert the DRAWER (Z) so it rests on the brackets of the RAILS. Line up the holes in the DRAWER SIDES (U and V) with the brackets on the RAILS.
- ✚ Fasten the DRAWER (Z) to the RAILS (1 and 2). Use four BLACK 1/2" FLAT HEAD SCREWS (19).



BLACK 1/2" FLAT HEAD SCREW  
(4 used in this step)

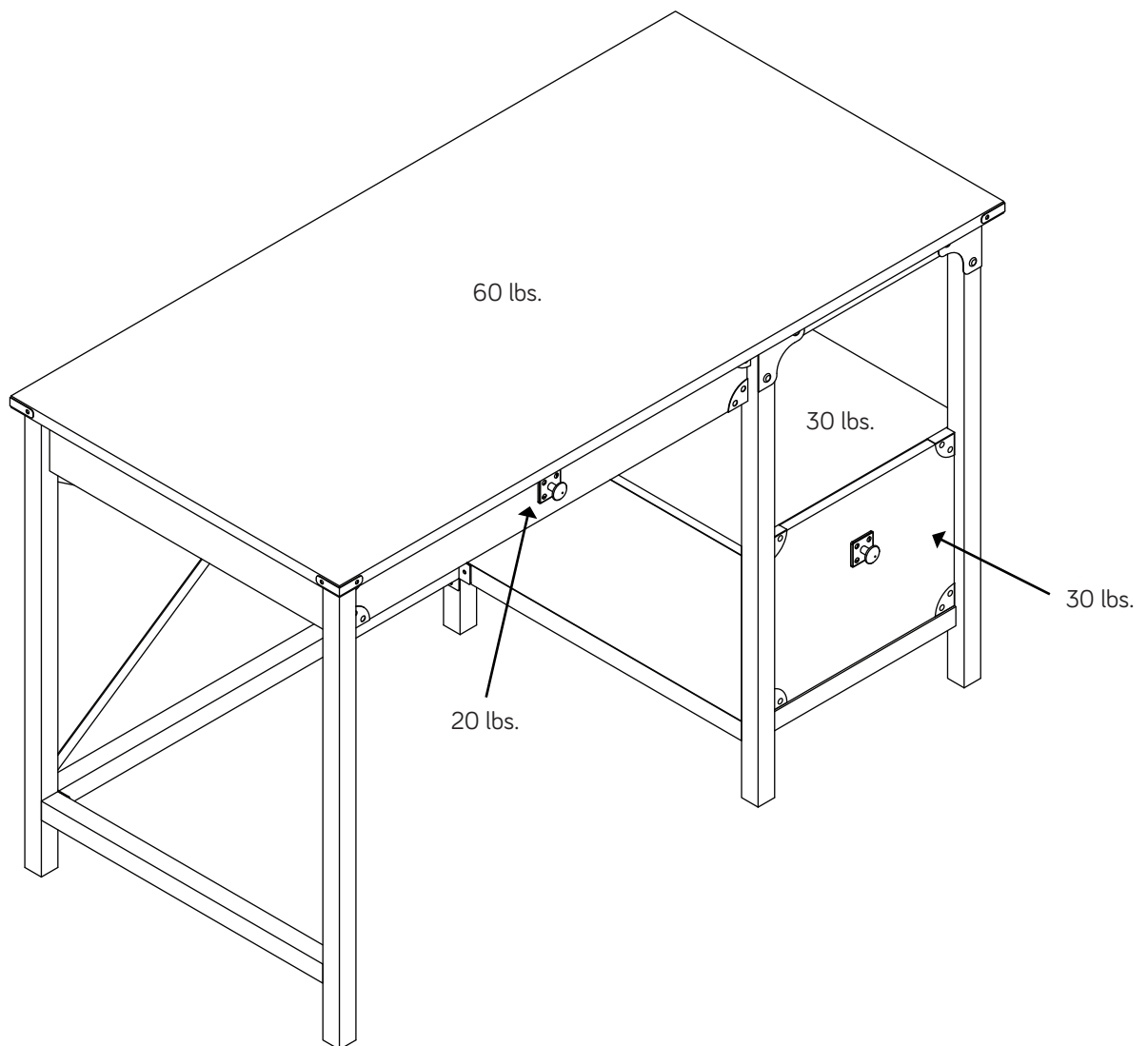
# Step 23

- To insert the LARGE DRAWER (AA) into your unit, line up the EXTENSION SLIDES on the drawer with the EXTENSION RAILS on the unit and push the drawer into the unit until the drawer is fully inserted. The drawer will push in hard until it is all the way in, then it will slide in and out easier.



# Step 24

- 🔩 **NOTE:** Please read the back pages of the instruction booklet for important safety information.
- 🔩 This completes assembly. Clean with your favorite furniture polish or a damp cloth. Wipe dry.



**⚠ WARNING**

Please use your furniture correctly and safely. Improper use can cause safety hazards, or damage to your furniture or household items. ***Carefully read the following chart.***

Look out for:	What can happen:	How to avoid the problem:
<ul style="list-style-type: none"> <li>• Overloaded shelves and drawers.</li> <li>• Improper loading can cause the product to be top-heavy.</li> </ul>	<ul style="list-style-type: none"> <li>• Risk of injury.</li> <li>• Top-heavy furniture can tip over.</li> <li>• Overloaded shelves and drawers can break.</li> </ul>	<ul style="list-style-type: none"> <li>• Never exceed the weight limits shown in the instructions.</li> <li>• Work from bottom to top when loading shelves and drawers. Place the heavier items on the lower shelves or in lower drawers.</li> </ul>
<ul style="list-style-type: none"> <li>• Improperly moving furniture that is not designed and equipped with casters.</li> </ul>	<ul style="list-style-type: none"> <li>• Furniture can tip over or break if improperly moved.</li> <li>• Physical injury. Furniture can be very heavy.</li> <li>• Breakage of tops - particularly with double pedestal furniture (drawers at both ends).</li> </ul>	<ul style="list-style-type: none"> <li>• Unload shelves and drawers from top to bottom before moving the unit.</li> <li>• Do not push furniture, especially on a carpeted floor. Have a friend help you lift the item and set it in place.</li> <li>• Provide support to the center section of the top when lifting the furniture.</li> </ul>
<ul style="list-style-type: none"> <li>• Placing TVs on furniture items that are not designed to support a television is hazardous.</li> </ul>	<ul style="list-style-type: none"> <li>• Risk of injury or death. TVs can be very heavy. Plus the weight and location of the picture tube tends to make TVs unbalanced and prone to tipping forward.</li> </ul>	<ul style="list-style-type: none"> <li>• This product is not designed to support a television.</li> </ul>