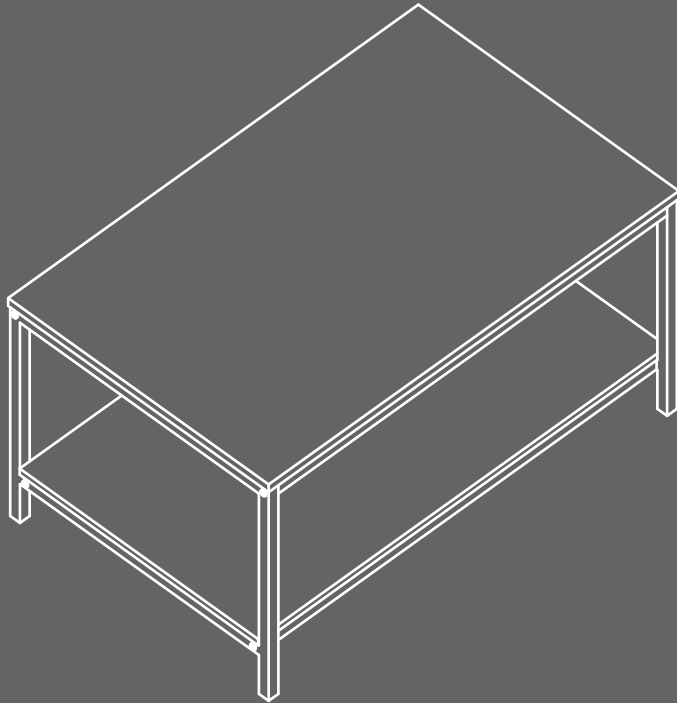


www.teknikoffice.co.uk

**Teknik**



Guaranteed to **hold**  
other **beverages**, too.

## Industrial Style Coffee Table Smoked Oak

**Model 5423025**

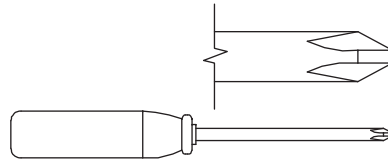
**NOTE:** THIS INSTRUCTION  
BOOKLET CONTAINS **IMPORTANT**  
SAFETY INFORMATION.

PLEASE READ AND KEEP FOR  
FUTURE REFERENCE.

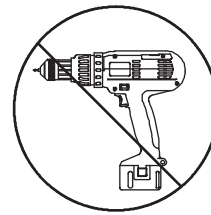
# Table of Contents

# Assembly Tools Required

Part Identification	3
Hardware Identification	3
Assembly Steps	4-5
Français	6-7
Español	8-9
Safety	10
Warranty	11



No. 2 Phillips Screwdriver  
Tip Shown Actual Size



Skip the power trip.  
This time.

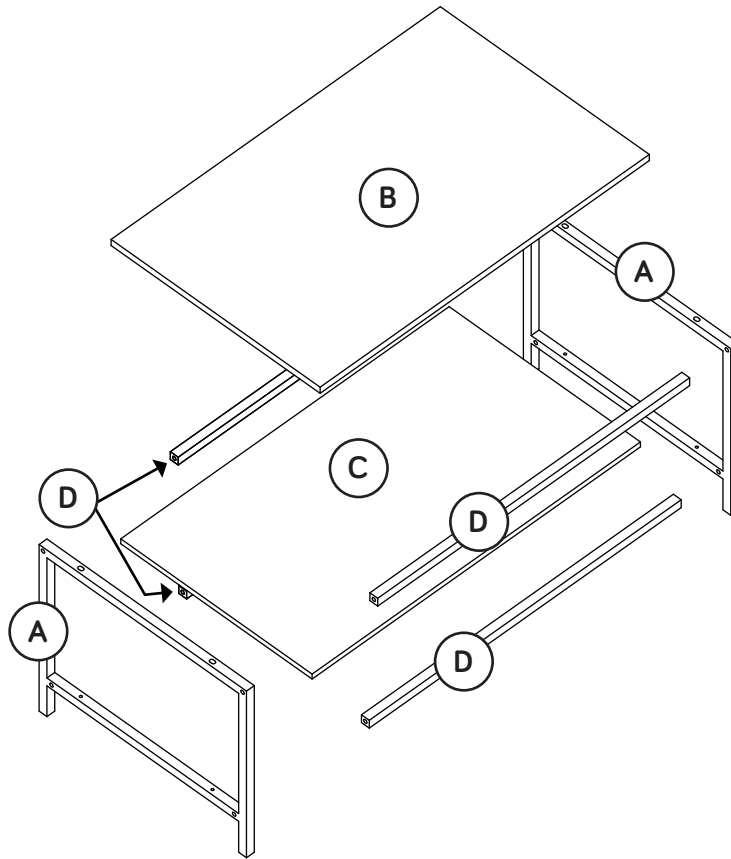
# Part Identification

Now you know  
our ABCs.



⚡ While not all parts are labeled, some of the parts will have a label or an inked letter on the edge to help distinguish similar parts from each other. Use this part identification to help identify similar parts.

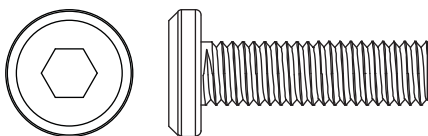
A	END (2)
B	TOP (1)
C	BOTTOM (1)
D	BRACE (4)



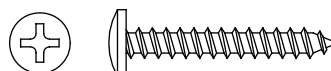
# Hardware Identification

⚡ Screws are shown actual size. You may receive extra hardware with your unit.

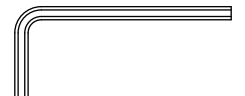
② 1-3/16" ALLEN SCREW - 12



③ 1-1/8" SCREW - 4

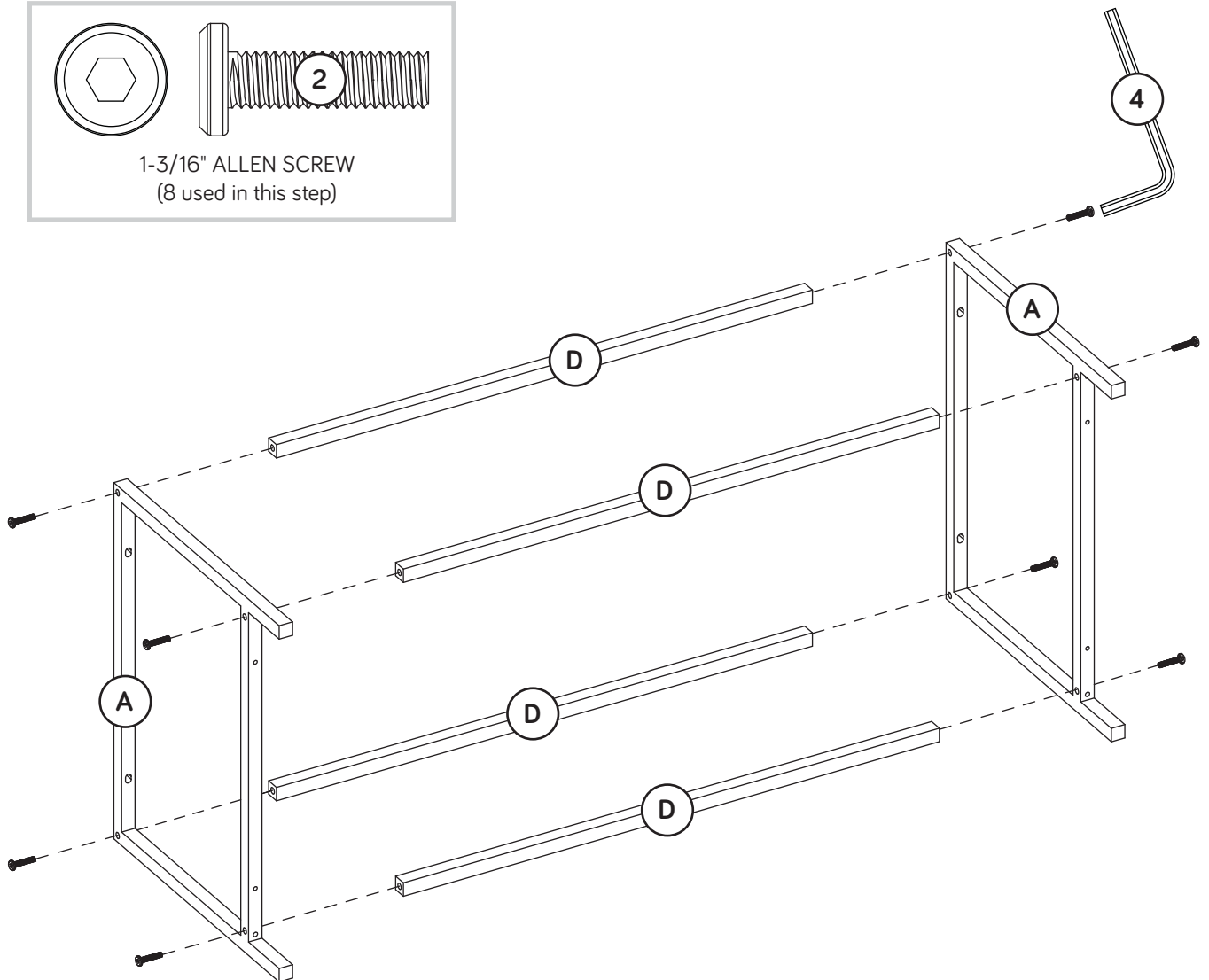
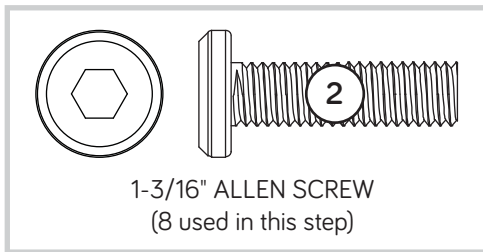


④ ALLEN WRENCH - 1



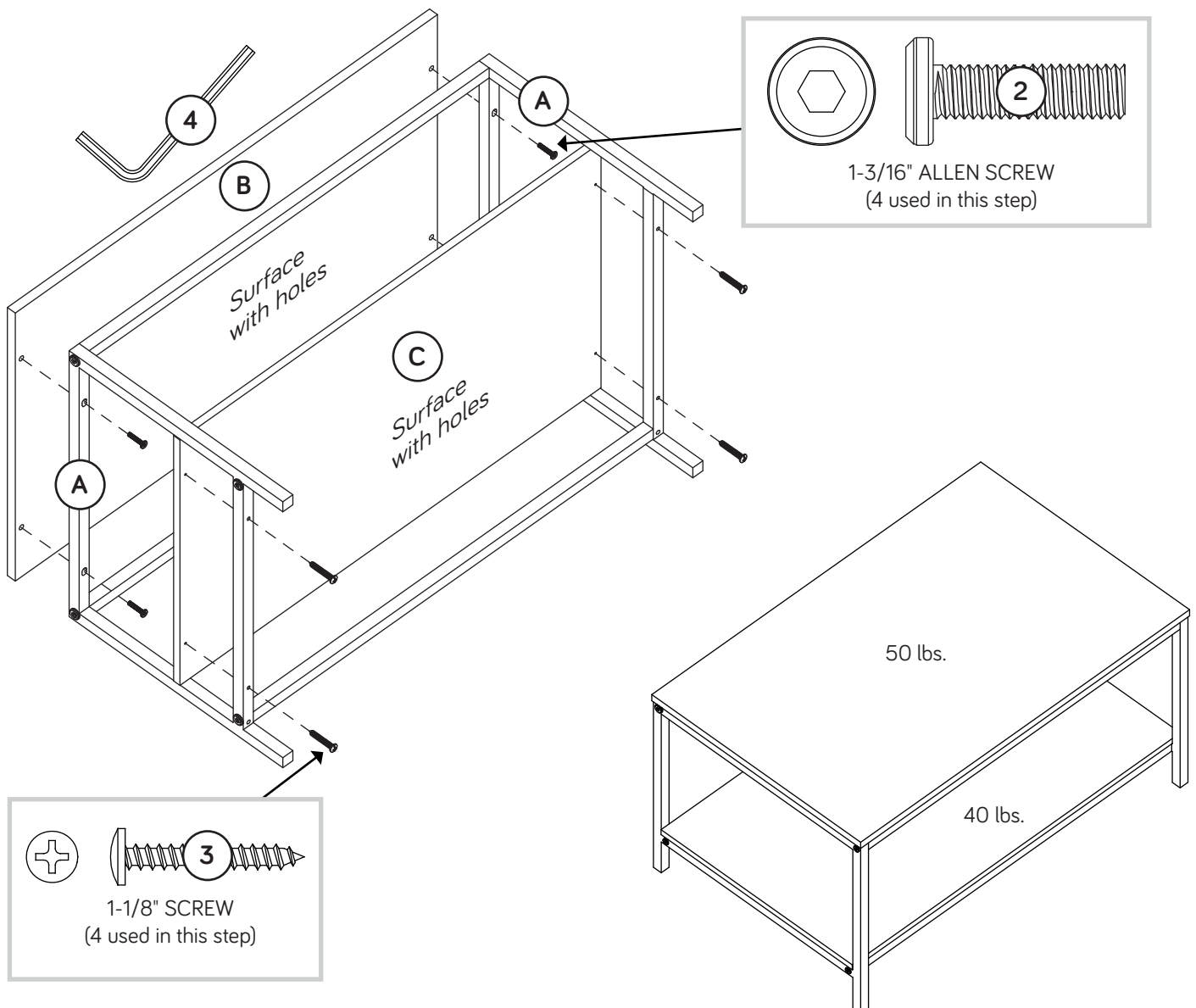
# Step 1

- ✚ Assemble your unit on a carpeted floor or on the empty carton to avoid scratching your unit or the floor.
- ✚ **NOTE:** Start all of the SCREWS before tightening any of them.
- ✚ Fasten the ENDS (A) to the BRACES (D). Tighten eight 1-3/16" ALLEN SCREWS (2) using the ALLEN WRENCH (4).
- ✚ Square up the BRACES (D) to the ENDS (A).
- ✚ Completely tighten all of the SCREWS.



# Step 2

- ✦ Fasten the TOP (B) to the ENDS (A). Tighten four 1-3/16" ALLEN SCREWS (2) into the threaded inserts in the TOP using the ALLEN WRENCH (4).
- ✦ **NOTE:** Start all of the SCREWS (2) before tightening any of them.
- ✦ Fasten the BOTTOM (C) to the ENDS (A). Use four 1-1/8" SCREWS (3).
- ✦ **NOTE:** Do not overtighten the SCREWS (3).
- ✦ Carefully stand your unit upright.
- ✦ **NOTE:** Please read the back pages of the instruction booklet for important safety information.
- ✦ This completes assembly. Clean with your favorite furniture polish or a damp cloth. Wipe dry.



**⚠ WARNING**

Please use your furniture correctly and safely. Improper use can cause safety hazards, or damage to your furniture or household items. ***Carefully read the following chart.***

Look out for:	What can happen:	How to avoid the problem:
<ul style="list-style-type: none"><li>Overloaded shelves.</li></ul>	<ul style="list-style-type: none"><li>Risk of injury.</li><li>Top-heavy furniture can tip over.</li><li>Overloaded shelves can break.</li></ul>	<ul style="list-style-type: none"><li>Never exceed the weight limits shown in the instructions.</li><li>Work from bottom to top when loading shelves. Place the heavier items on the lower shelves.</li></ul>
<ul style="list-style-type: none"><li>Placing TVs on furniture items that are not designed to support a television is hazardous.</li></ul>	<ul style="list-style-type: none"><li>Risk of injury or death. TVs can be very heavy. Plus the weight and location of the picture tube tends to make TVs unbalanced and prone to tipping forward.</li></ul>	<ul style="list-style-type: none"><li>This product is not designed to support a television.</li></ul>