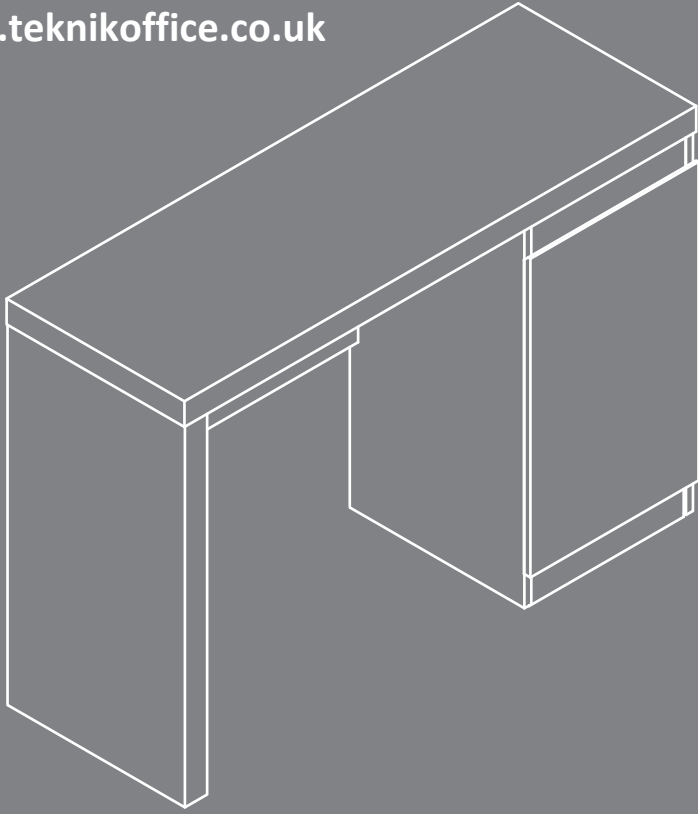


www.teknikoffice.co.uk



Teknik

Sit and surf.

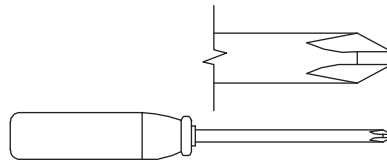
Hudson Chunky Desk

Model 5425833

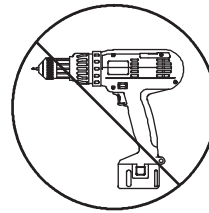
Table of Contents

Assembly Tools Required

Part Identification	3
Hardware Identification	4
Assembly Steps	5-18
Français	19-21
Español	22-24
Safety	25-26
Warranty	27



No. 2 Phillips Screwdriver
Tip Shown Actual Size



Skip the power trip.
This time.

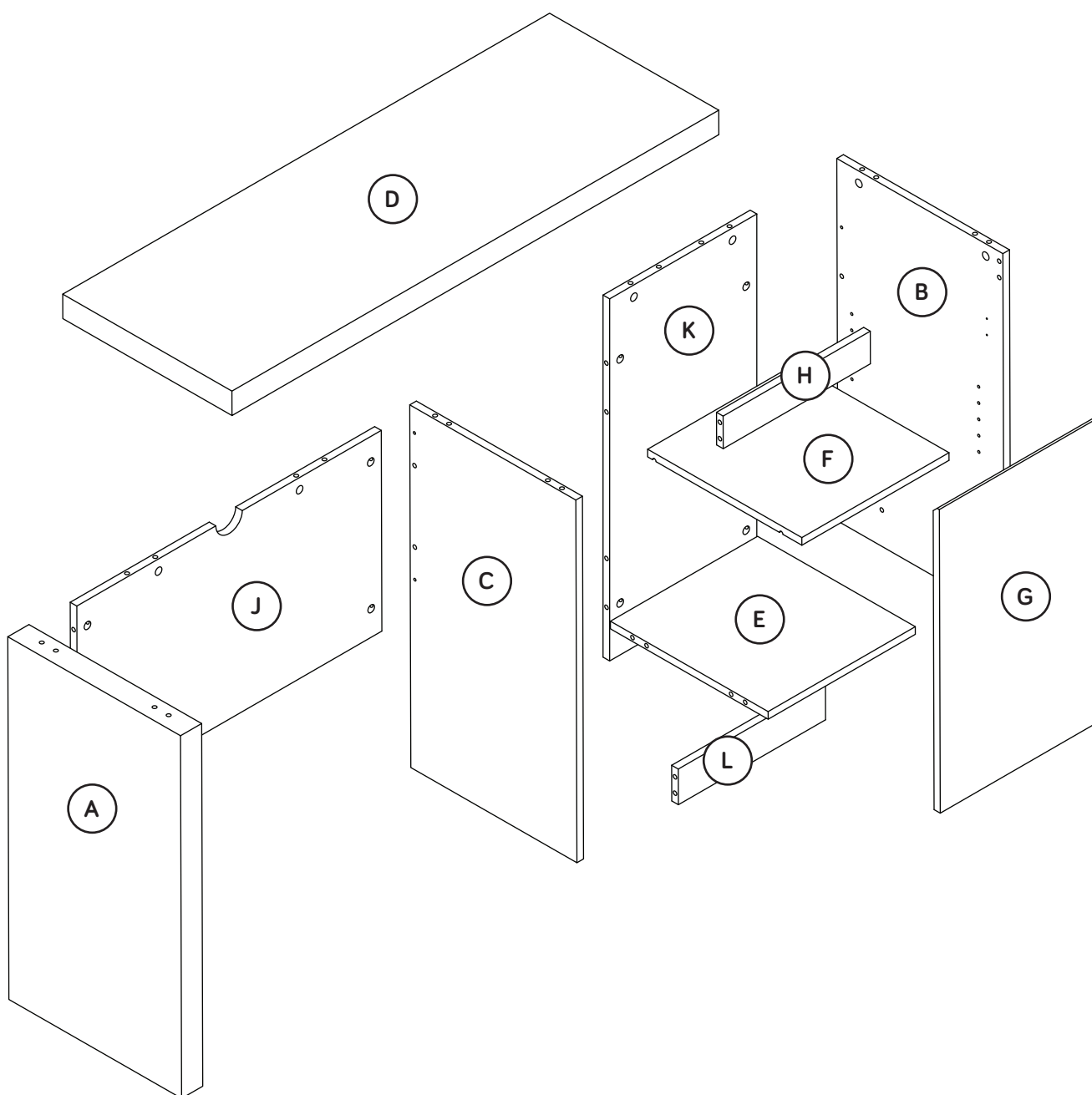
Part Identification

Now you know
our ABCs.



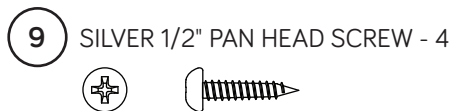
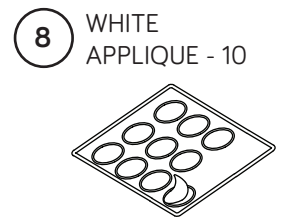
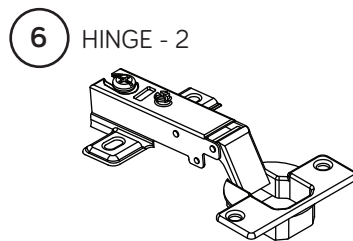
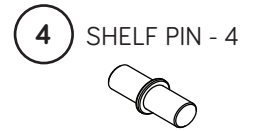
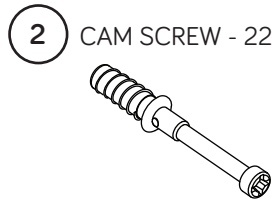
⚡ While not all parts are labeled, some of the parts will have a label or an inked letter on the edge to help distinguish similar parts from each other. Use this part identification to help identify similar parts.

A	LEFT END (1)	E	BOTTOM (1)	J	MODESTY PANEL (1)
B	RIGHT END (1)	F	ADJUSTABLE SHELF (1)	K	BACK (1)
C	UPRIGHT (1)	G	DOOR (1)	L	SKIRT (1)
D	TOP (1)	H	VALANCE (1)		



Hardware Identification

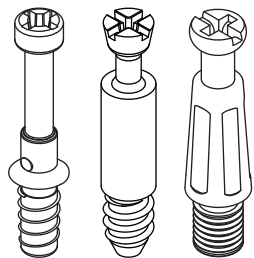
† Screws are shown actual size. You may receive extra hardware with your unit.



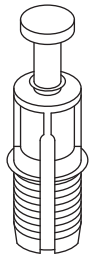
Hardware Usage Guide

HOW TO USE A HIDDEN CAM & CAM SCREW OR CAM DOWEL

1. NOTE: Various CAM SCREWS or a CAM DOWEL may be used.

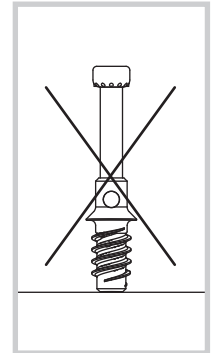
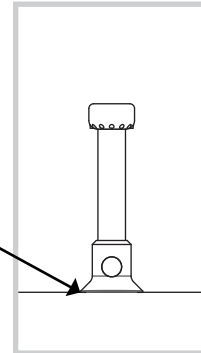


Cam Screws

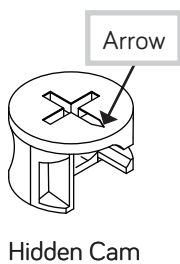


Cam Dowel

Turn the CAM SCREW or gently tap the CAM DOWEL until the shoulder is against the surface of the part.

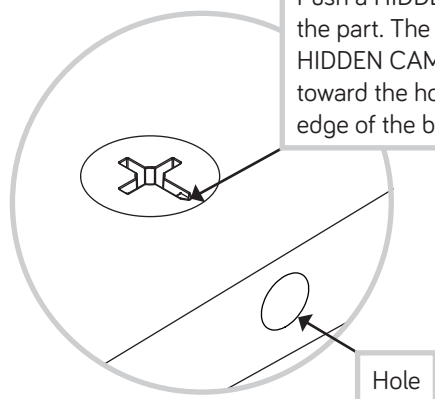


2.



Arrow

Hidden Cam

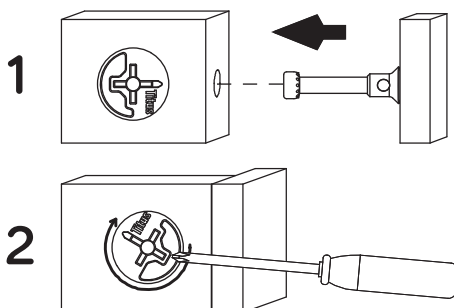


Push a HIDDEN CAM into the part. The arrow in the HIDDEN CAM must point toward the hole in the edge of the board.

Hole

3.

Insert the CAM SCREW or CAM DOWEL into the HIDDEN CAM. Tighten the HIDDEN CAM.

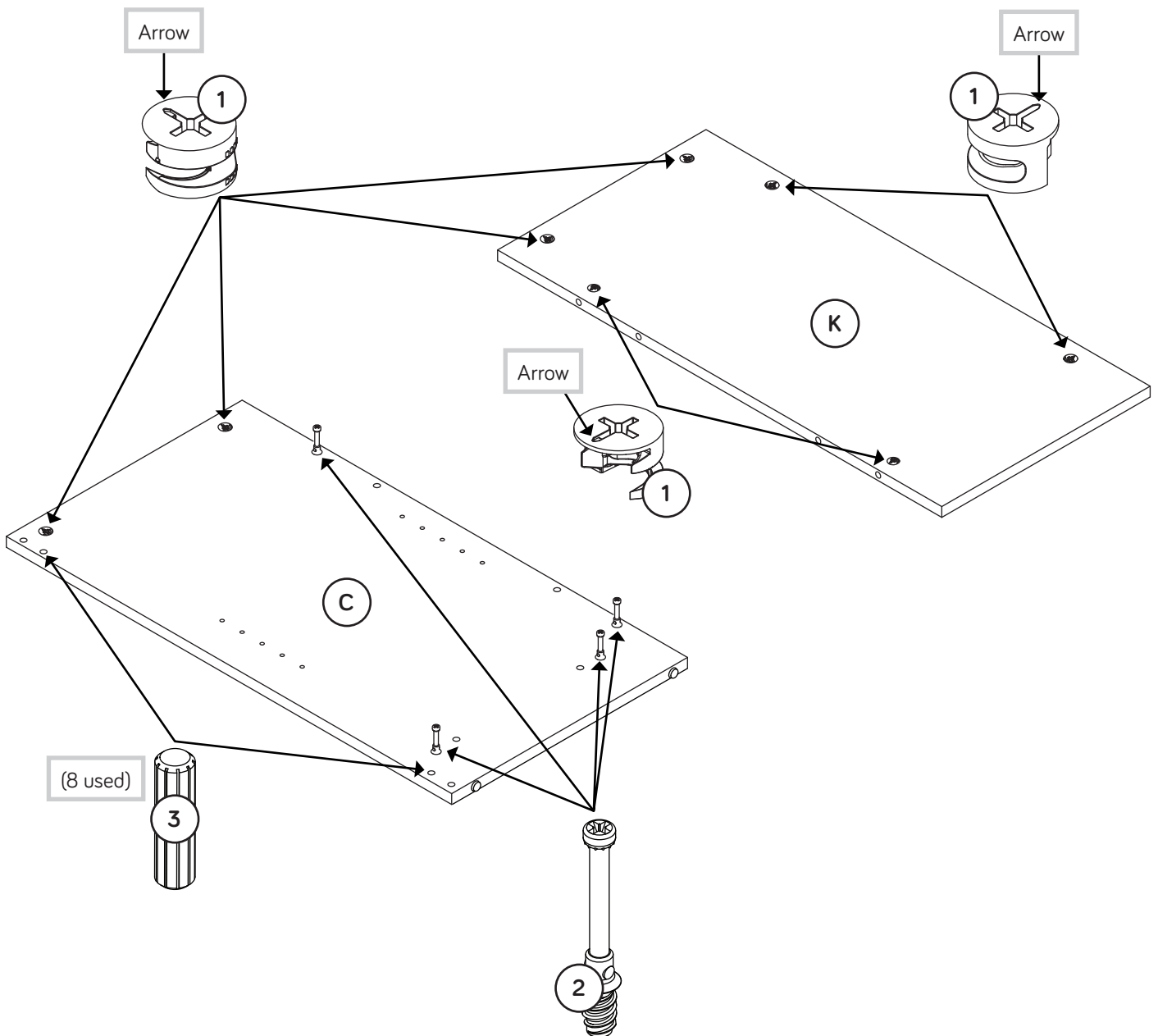


1

2

Step 1

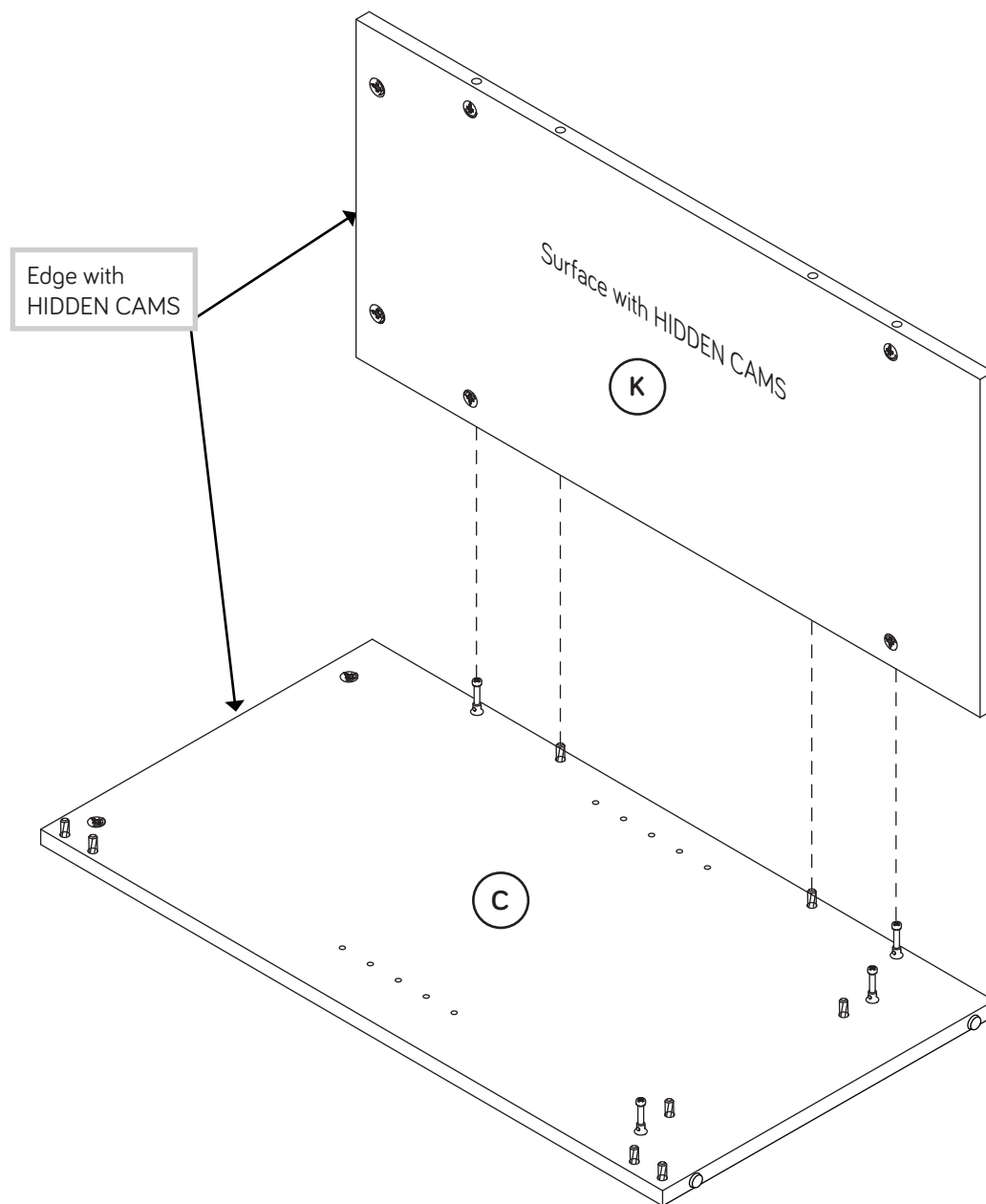
- ✚ Assemble your unit on a carpeted floor or on the empty carton to avoid scratching your unit or the floor.
- ✚ Push eight HIDDEN CAMS (1) into the UPRIGHT (C) and BACK (K).
- ✚ Turn four CAM SCREWS (2) into the exact holes shown in the UPRIGHT (C).
- ✚ Insert eight WOOD DOWELS (3) into the remaining holes in the UPRIGHT (C).



Step 2

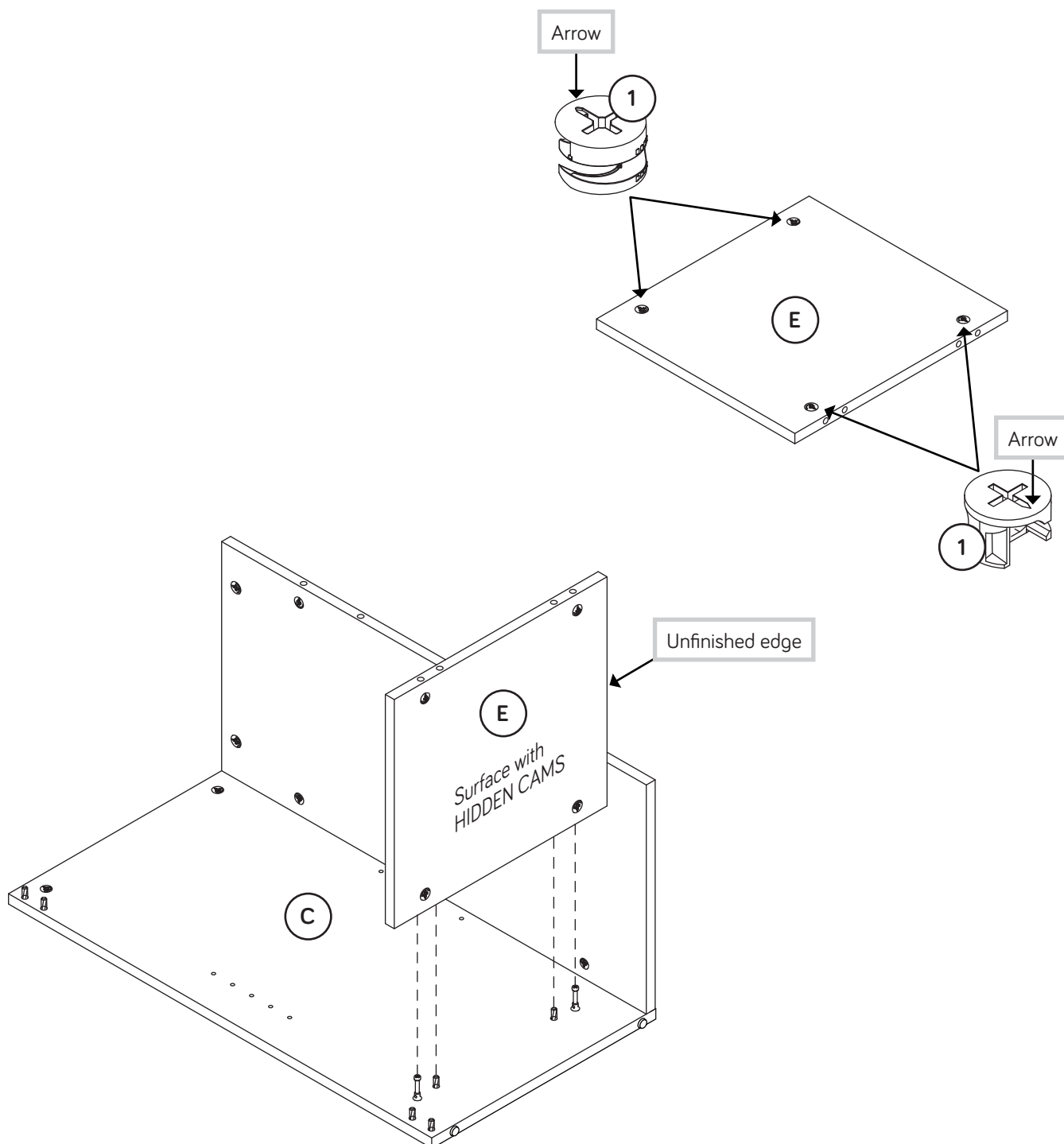
🔩 Fasten the BACK (K) to the UPRIGHT (C). Tighten two HIDDEN CAMS.

🔩 NOTE: Be sure the WOOD DOWELS in the UPRIGHT insert into the BACK.



Step 3

- ✚ Push four HIDDEN CAMS (1) into the BOTTOM (E).
- ✚ Fasten the BOTTOM (E) to the UPRIGHT (C). Tighten two HIDDEN CAMS.
- ✚ NOTE: Be sure the WOOD DOWELS in the UPRIGHT insert into the BOTTOM.



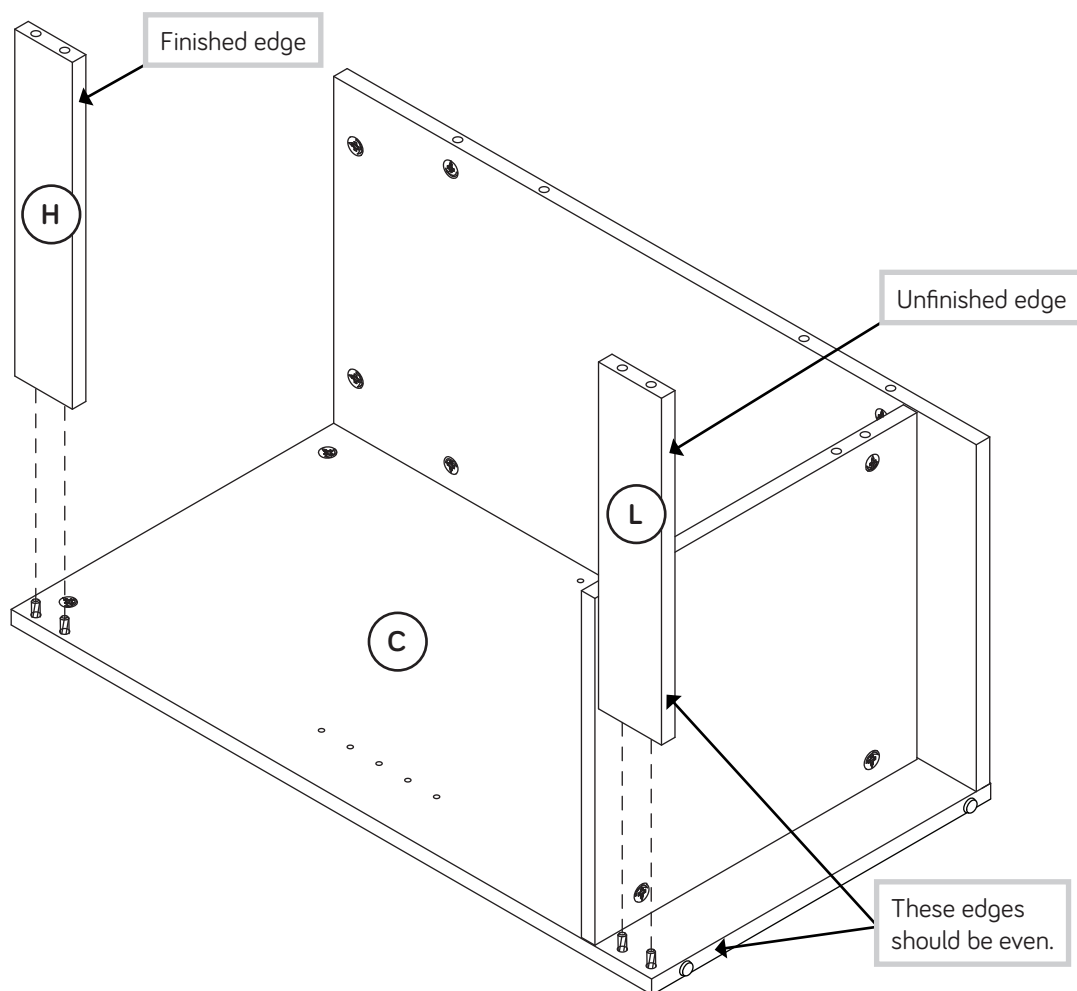
Step 4

🔌 Place the VALANCE (H) and SKIRT (L) onto the WOOD DOWELS in the UPRIGHT (C) as shown.

🔌 NOTE: The VALANCE (H) is wider than the SKIRT (L).

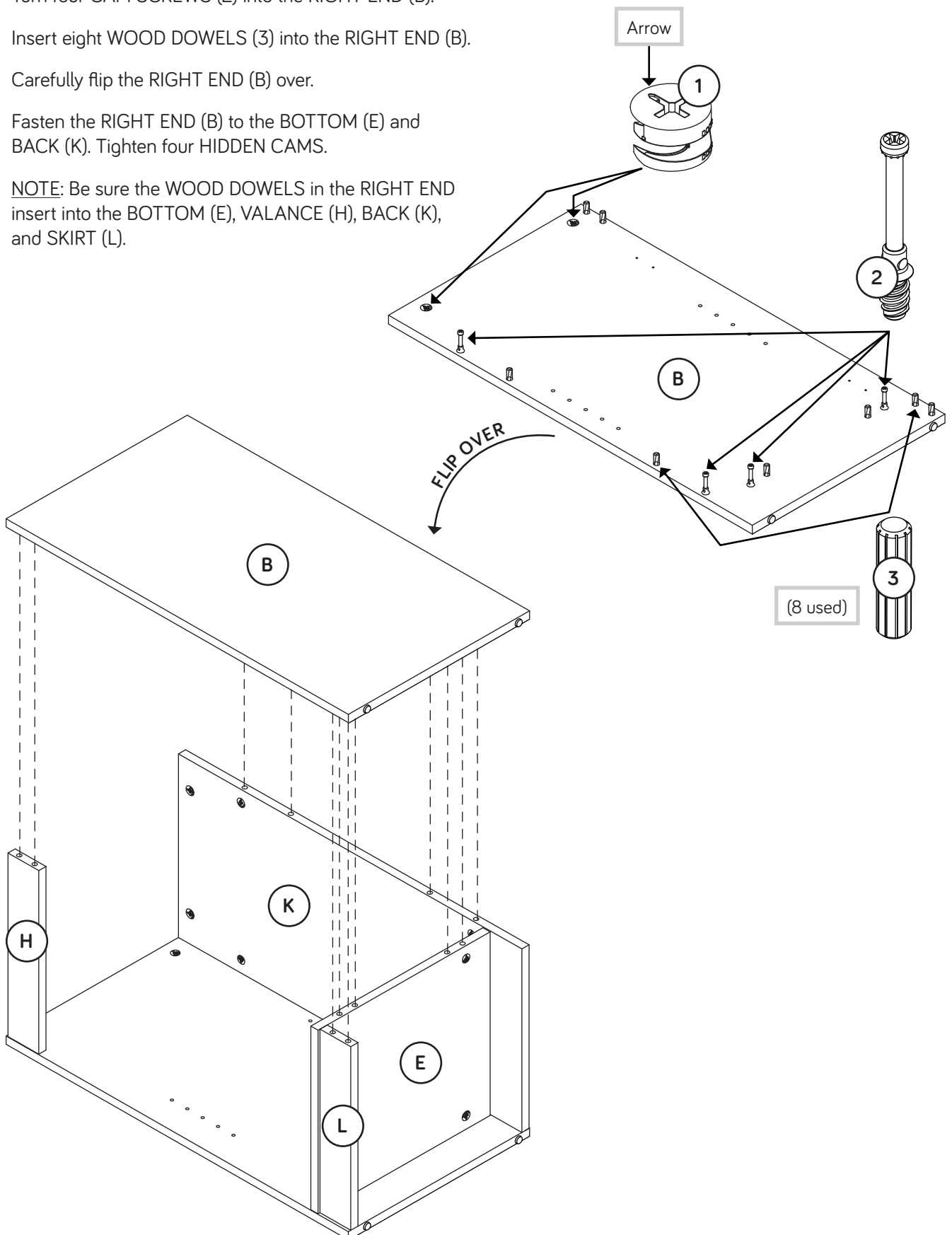


Just think. The sooner you do this, the sooner you do something else.



Step 5

- ✚ Push two HIDDEN CAMS (1) into the RIGHT END (B).
- ✚ Turn four CAM SCREWS (2) into the RIGHT END (B).
- ✚ Insert eight WOOD DOWELS (3) into the RIGHT END (B).
- ✚ Carefully flip the RIGHT END (B) over.
- ✚ Fasten the RIGHT END (B) to the BOTTOM (E) and BACK (K). Tighten four HIDDEN CAMS.
- ✚ **NOTE:** Be sure the WOOD DOWELS in the RIGHT END (B) insert into the BOTTOM (E), VALANCE (H), BACK (K), and SKIRT (L).



Step 6

✚ Push eight HIDDEN CAMS (1) into the LEFT END (A) and MODESTY PANEL (J).

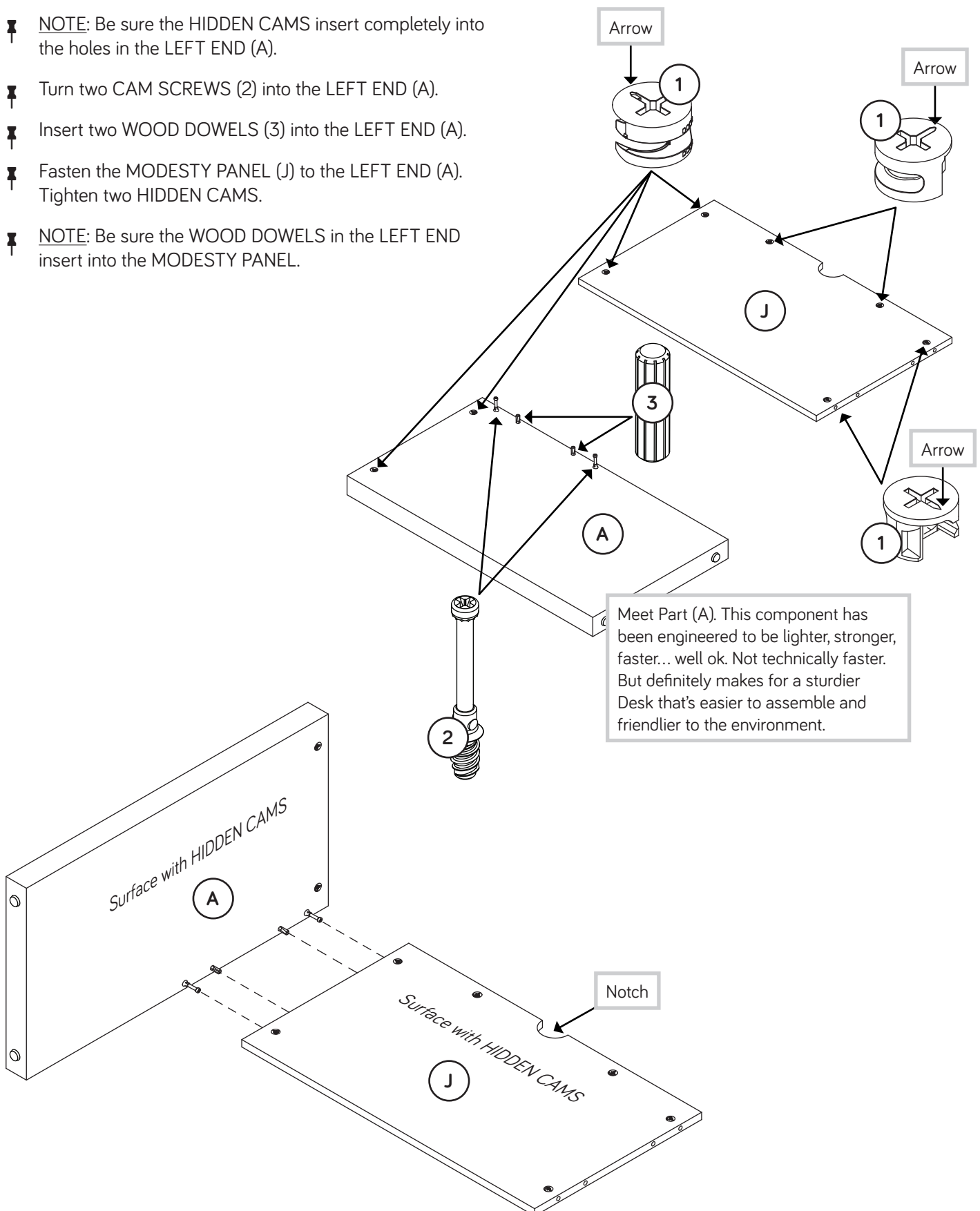
✚ NOTE: Be sure the HIDDEN CAMS insert completely into the holes in the LEFT END (A).

✚ Turn two CAM SCREWS (2) into the LEFT END (A).

✚ Insert two WOOD DOWELS (3) into the LEFT END (A).

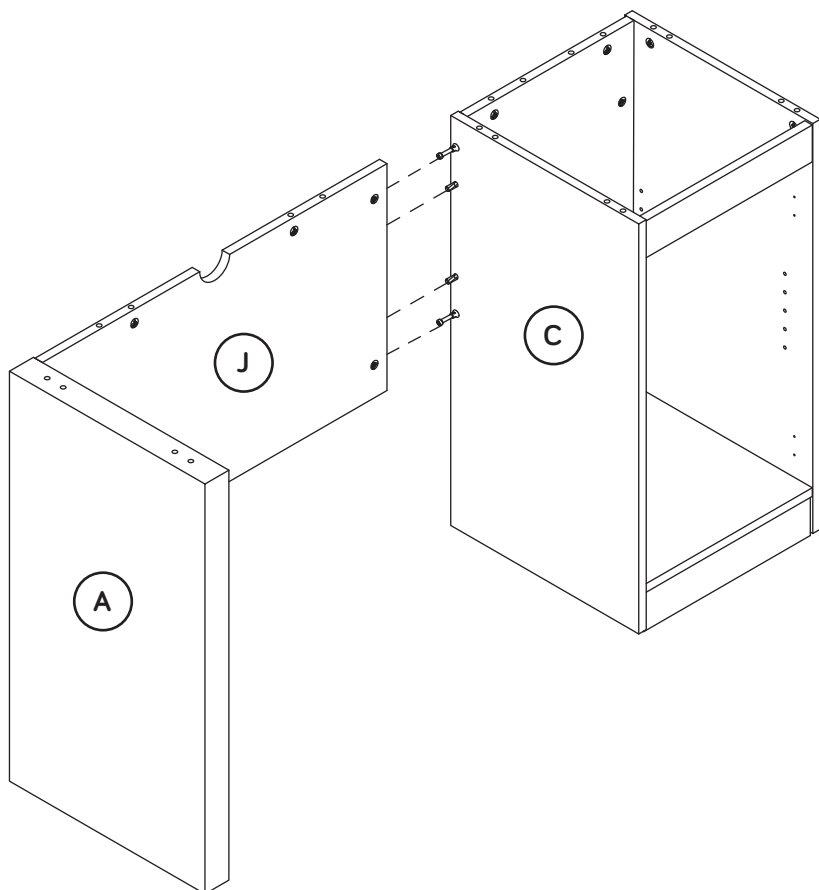
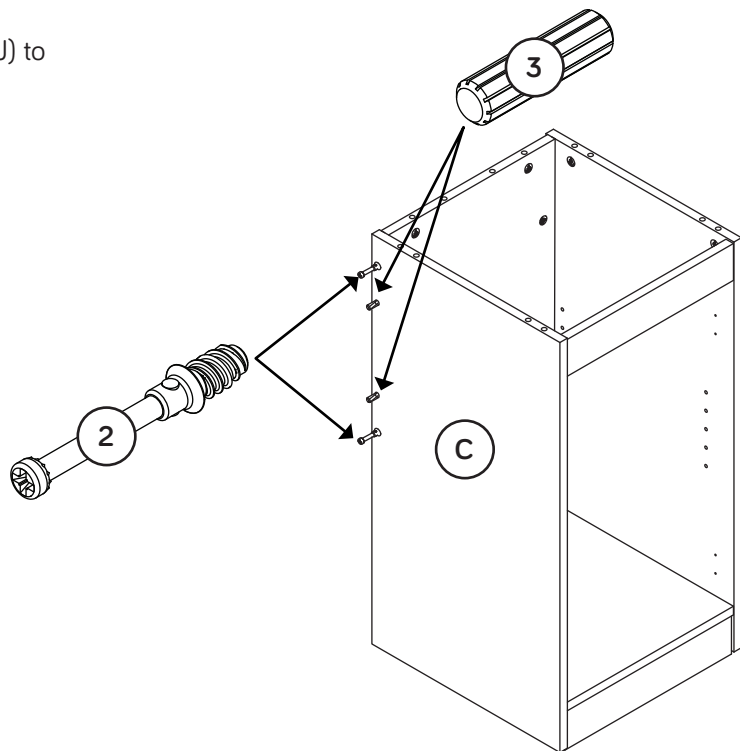
✚ Fasten the MODESTY PANEL (J) to the LEFT END (A).
Tighten two HIDDEN CAMS.

✚ NOTE: Be sure the WOOD DOWELS in the LEFT END insert into the MODESTY PANEL.



Step 7

- ✚ Carefully stand the box assembly upright.
- ✚ Turn two CAM SCREWS (2) into the UPRIGHT (C).
- ✚ Insert two WOOD DOWELS (3) into the UPRIGHT (C).
- ✚ While holding onto both the LEFT END (A) and the MODESTY PANEL (J), fasten the MODESTY PANEL (J) to the UPRIGHT (C). Tighten two HIDDEN CAMS.
- ✚ **NOTE:** Be sure the WOOD DOWELS in the UPRIGHT insert into the MODESTY PANEL.

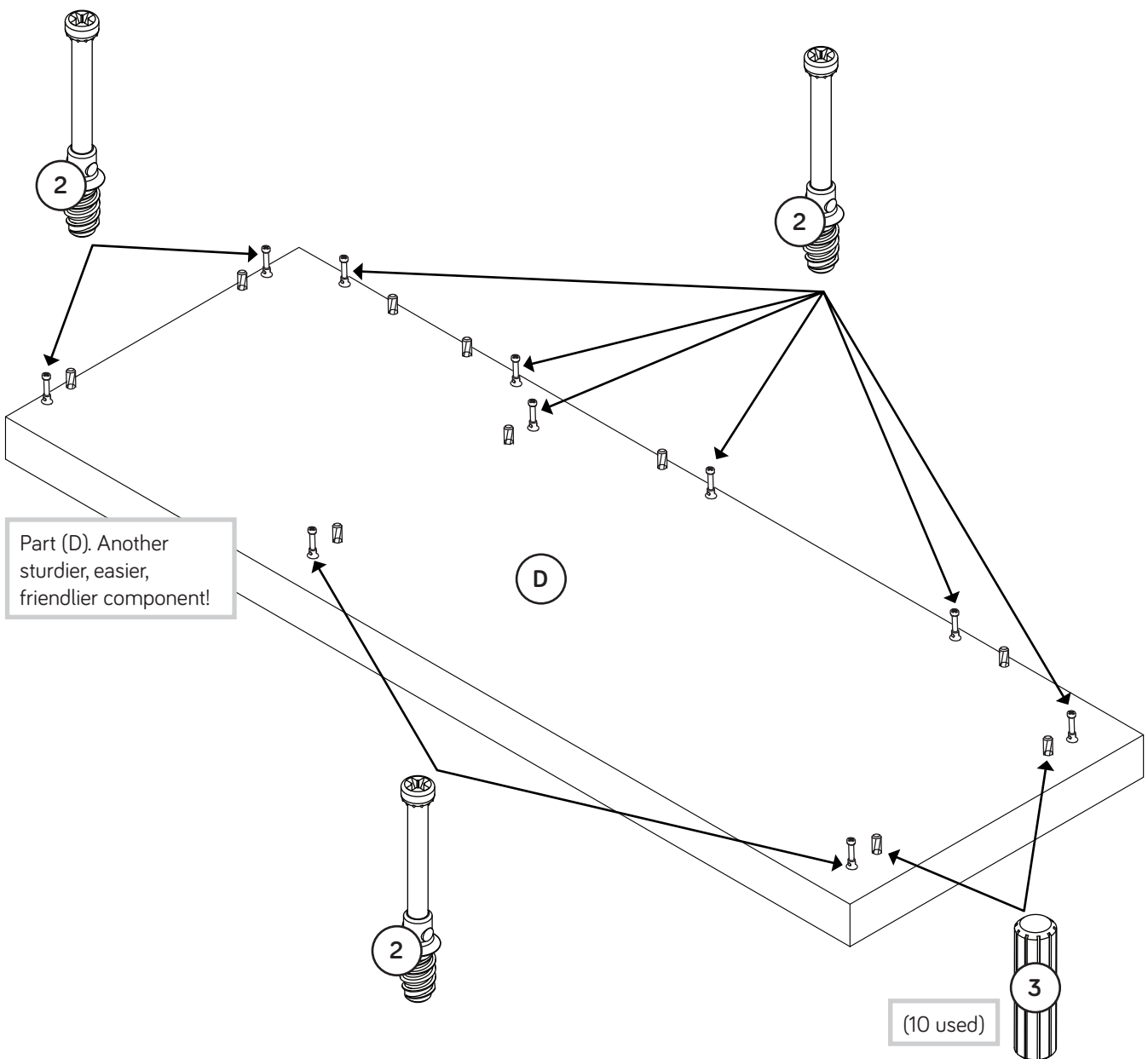


Step 8

- First, turn ten CAM SCREWS (2) into the exact holes shown in the TOP (D).
- Then, insert ten WOOD DOWELS (3) into the remaining holes in the TOP (D).

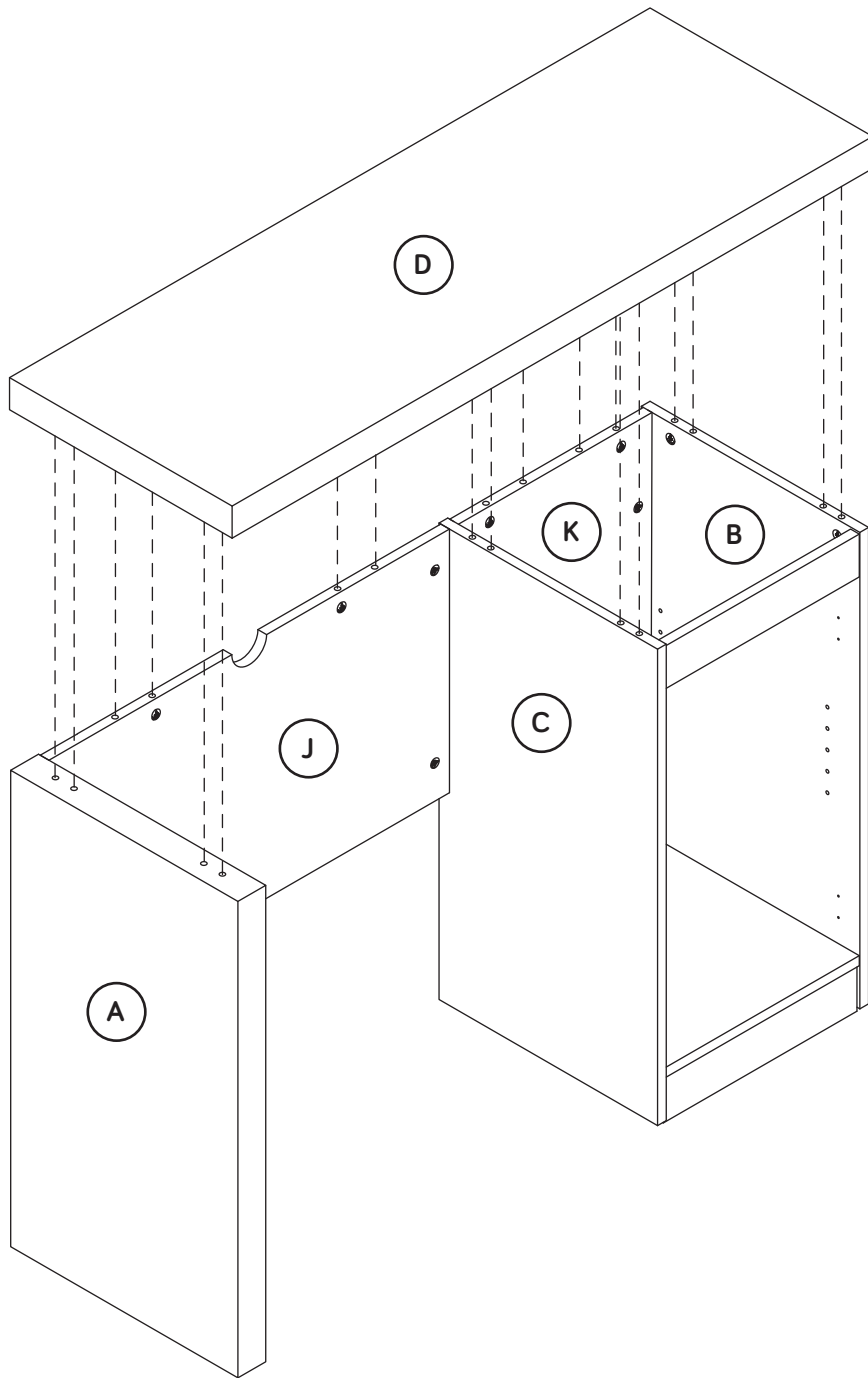


Don't worry. It isn't Rome. This can be built in a day.



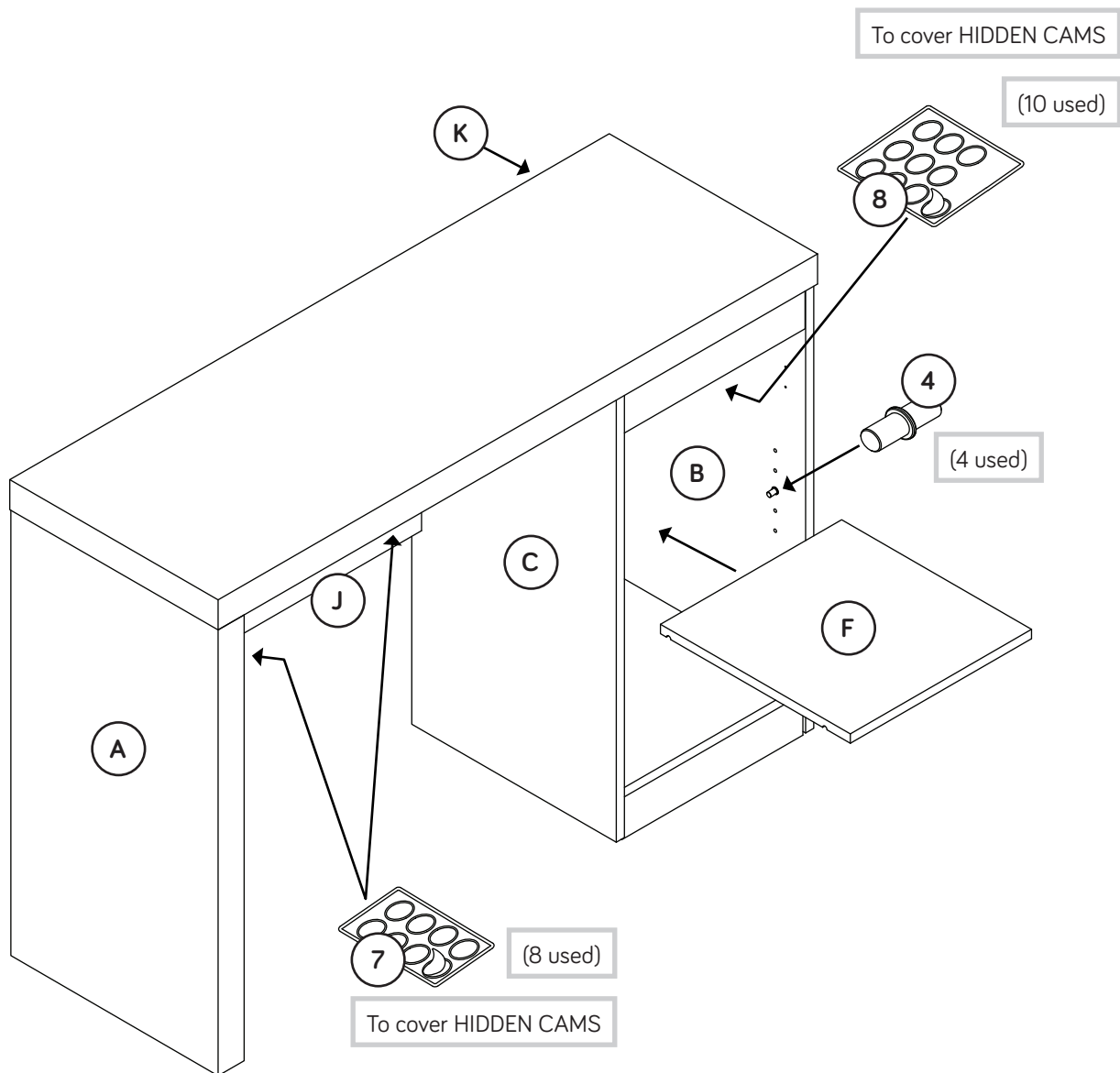
Step 9

- ✚ Carefully flip the TOP (D) over.
- ✚ Fasten the TOP (D) to the ENDS (A and B), UPRIGHT (C), MODESTY PANEL (J), and BACK (K). Tighten ten HIDDEN CAMS.
- ✚ **NOTE:** Be sure the WOOD DOWELS in the TOP insert into the ENDS, UPRIGHT, MODESTY PANEL, and BACK.



Step 10

- ✦ Peel the BROWN APPLIQUES (7) from the card and stick them onto each visible HIDDEN CAM in the LEFT END (A) and MODESTY PANEL (J).
- ✦ Peel the WHITE APPLIQUES (8) from the card and stick them onto each visible HIDDEN CAM in the RIGHT END (B), UPRIGHT (C), and BACK (K).
- ✦ Insert the SHELF PINS (4) into the hole locations of your choice in the RIGHT END (B) and UPRIGHT (C). Set the ADJUSTABLE SHELF (F) onto the SHELF PINS.

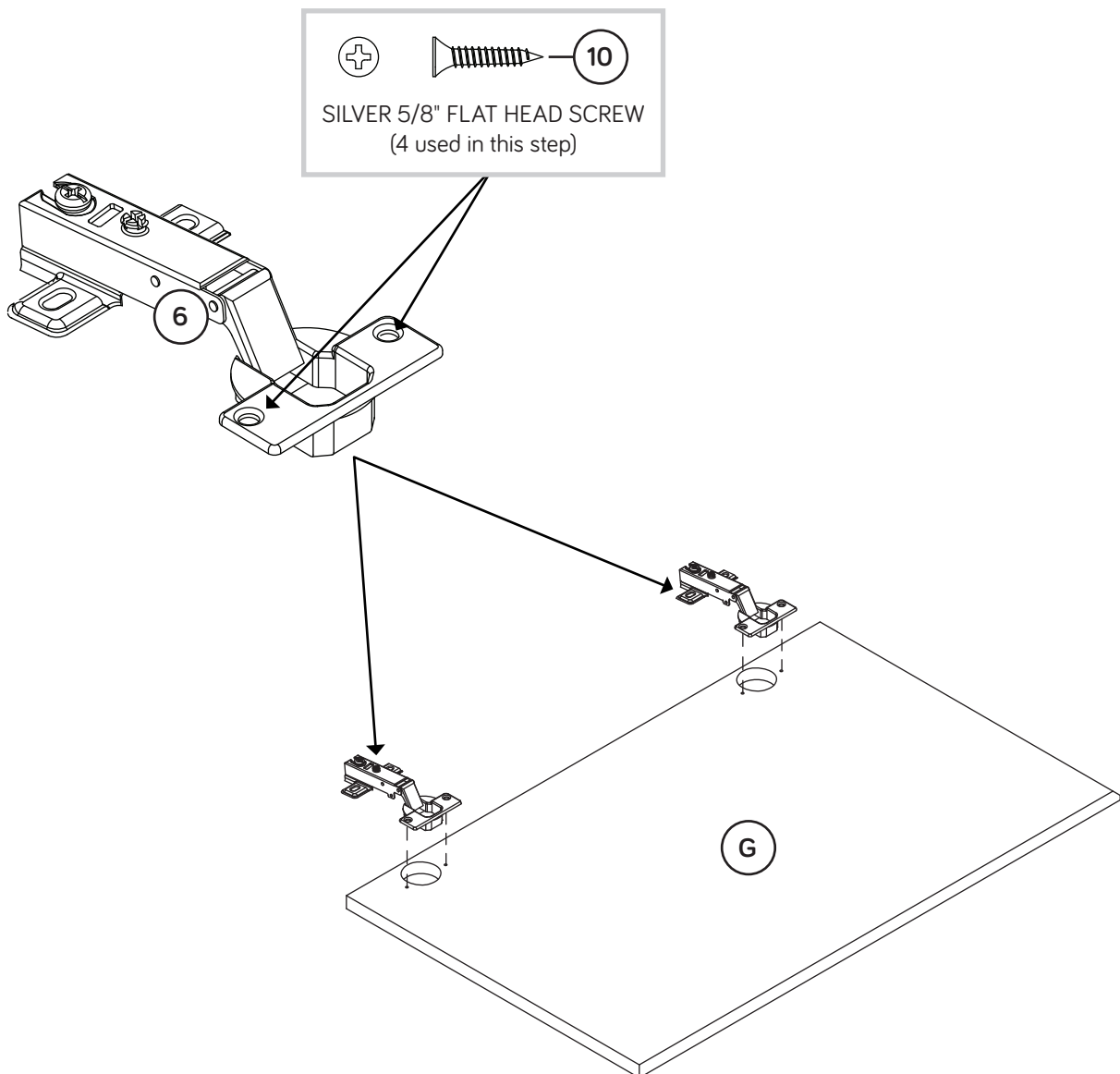


Step 11

- Fasten the HINGES (6) to the DOOR (G). Use four SILVER 5/8" FLAT HEAD SCREWS (10).

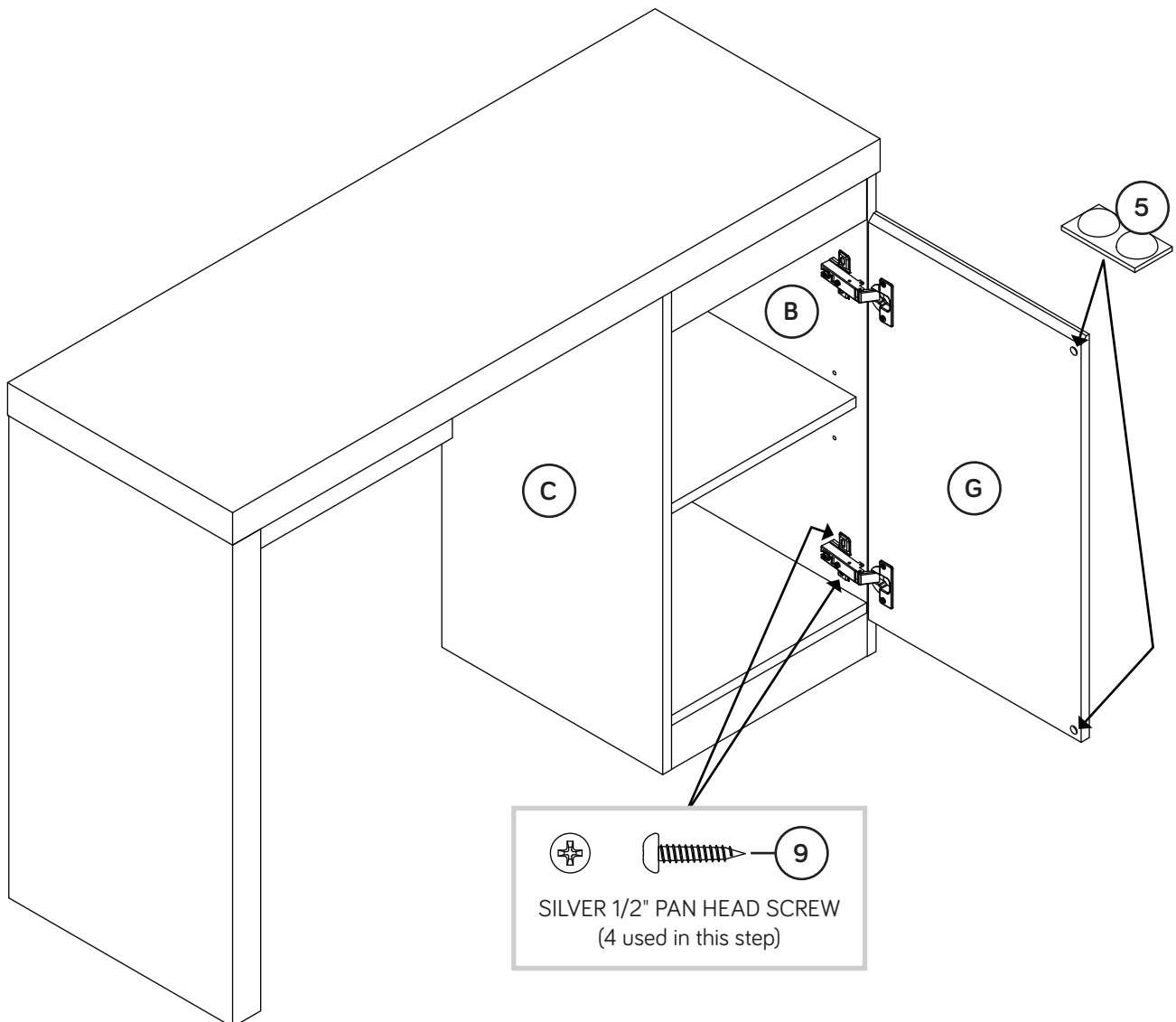
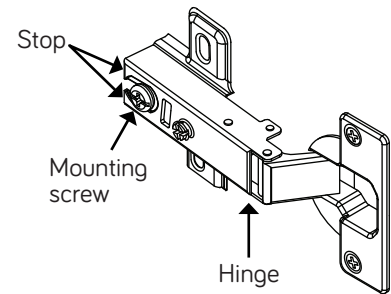


If you're doing this to help a friend, don't leave without a bite.



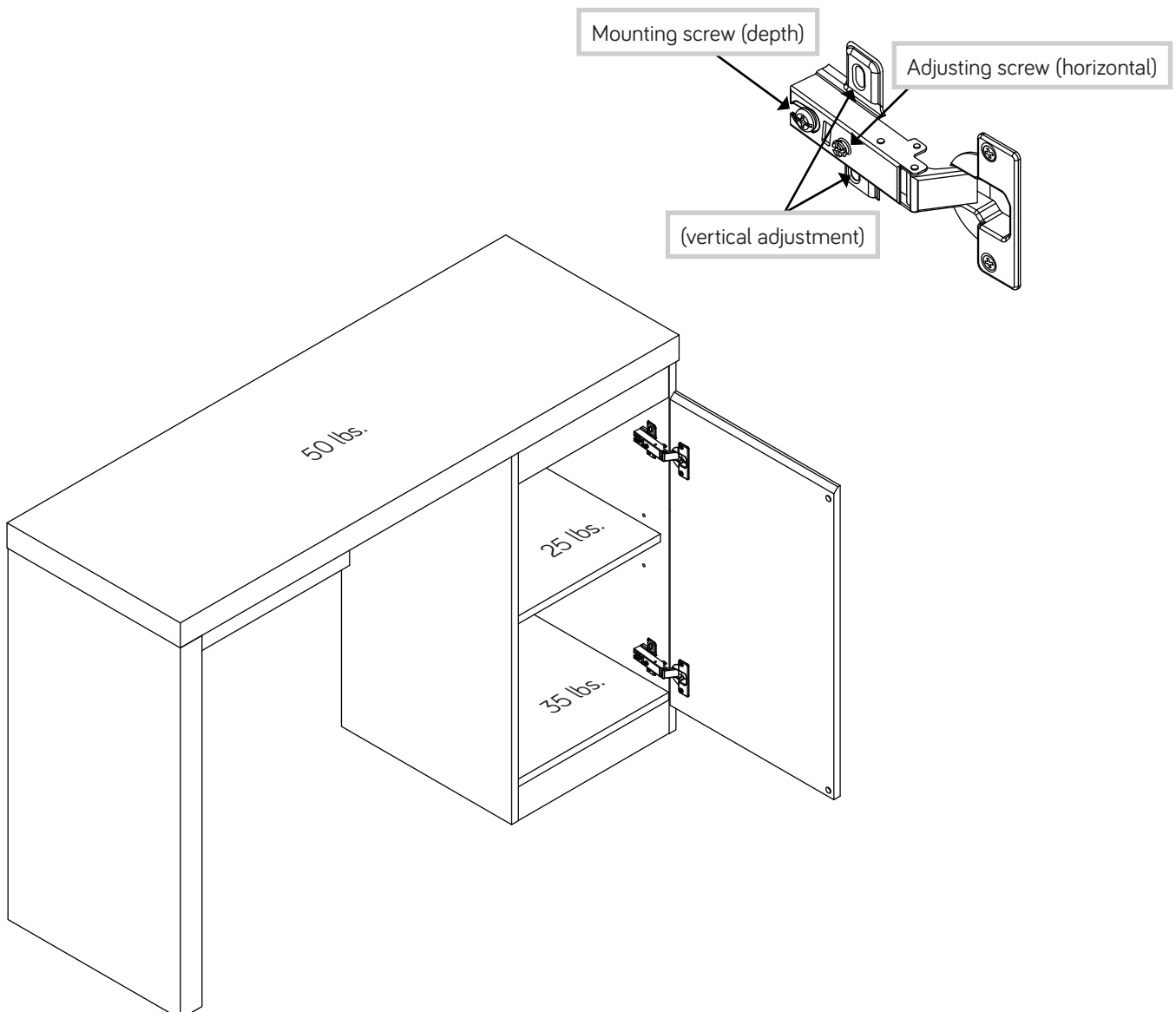
Step 12

- ✚ Before fastening the DOOR to your unit, be sure the mounting screw is against the stops as shown in the right diagram. If it isn't, loosen the mounting screw to slide it against the stops. Then tighten the mounting screw.
- ✚ Fasten the HINGES on the DOOR (G) to the RIGHT END (B) as shown in the lower diagram. Use four SILVER 1/2" PAN HEAD SCREWS (9).
- ✚ **NOTE:** You should start each SCREW a few turns before completely tightening any of them.
- ✚ Peel a BUMPER from the BUMPER CARD (5) and stick it on the DOOR (G) where it comes into contact with the UPRIGHT (C).
- ✚ See the next step for DOOR adjustments.



Step 13

- ✦ Refer to the enlarged diagram to identify the parts on the HINGES.
- ✦ The DOOR may need some adjustments. Follow the text below to make needed adjustments.
- ✦ DOOR ADJUSTMENTS:
 - ✦ To adjust the DOOR from side to side (horizontal), turn the adjusting screw in or out.
 - ✦ To adjust the DOOR up and down (vertical), loosen both vertical adjustment screws. Move the DOOR up or down to the desired location. Tighten the screws after making adjustments.
 - ✦ To adjust the DOOR in or out (depth), loosen the mounting screw one turn and move the DOOR in or out, as needed. Tighten the mounting screw after making adjustments.
- ✦ NOTE: Please read the back pages of the instruction booklet for important safety information.
- ✦ This completes assembly. Clean with a damp cloth. Wipe dry.



⚠ WARNING

Please use your furniture correctly and safely. Improper use can cause safety hazards, or damage to your furniture or household items. *Carefully read the following chart.*

Look out for:	What can happen:	How to avoid the problem:
<ul style="list-style-type: none">• Overloaded shelves or drawers.• Improper loading can cause the product to be top-heavy.	<ul style="list-style-type: none">• Risk of injury.• Top-heavy furniture can tip over.• Overloaded shelves and drawers can break.	<ul style="list-style-type: none">• Never exceed the weight limits shown in the instructions.• Work from bottom to top when loading shelves and drawers. Place the heavier items on the lower shelves or in lower drawers.
<ul style="list-style-type: none">• Improperly moving furniture that is not designed and equipped with casters.	<ul style="list-style-type: none">• Furniture can tip over or break if improperly moved.• Physical injury. Furniture can be very heavy.• Breakage of tops - particularly with double pedestal furniture (drawers at both ends).	<ul style="list-style-type: none">• Unload shelves and drawers from top to bottom before moving the unit.• Do not push furniture, especially on a carpeted floor. Have a friend help you lift the item and set it in place.• Provide support to the center section of the top when lifting the furniture.
<ul style="list-style-type: none">• Placing TVs on furniture items that are not designed to support a television is hazardous.	<ul style="list-style-type: none">• Risk of injury or death. TVs can be very heavy. Plus the weight and location of the picture tube tends to make TVs unbalanced and prone to tipping forward.	<ul style="list-style-type: none">• This product is not designed to support a television.