

For things 'n such.

Canal Heights Console

Model 5419230

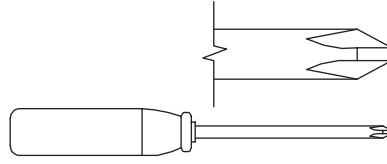
NOTE: THIS INSTRUCTION BOOKLET CONTAINS IMPORTANT SAFETY INFORMATION.

PLEASE READ AND KEEP FOR FUTURE REFERENCE.

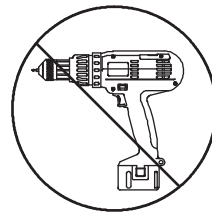
Table of Contents

Assembly Tools Required

Part Identification	3
Hardware Identification	3
Assembly Steps	4-6



No. 2 Phillips Screwdriver
Tip Shown Actual Size

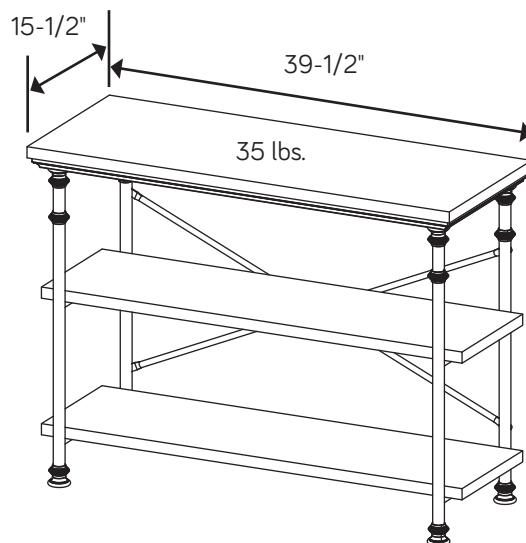


Skip the power trip.
This time.

⚠ WARNING

Use of a TV that is too heavy or large is hazardous. A TV that is too heavy will create a risk of a tip-over that can cause severe injury or death. A TV that is too large for the available space might be accidentally pushed or bumped off the furniture, or subject to tip-over.

- Check the size and weight of your TV. Compare it to the diagram below – **before you begin assembly!**
- This Sauder unit is designed for use with televisions weighing less than 35 pounds. **Never** use with a TV that weighs more.
- The size of the television, front-to-back and side-to-side, must fit within the space defined in the diagram.
 - **Never** place the front edge of the TV past the front edge of the TV support shelf (or stop molding – if equipped)
 - **Never** allow the sides of the TV to extend past the side edges of the TV support surface.
 - If the TV has a CRT picture tube, the picture tube cone may extend past the rear of the support shelf.
- Be sure to apply the warning label as instructed in the last assembly step. The label provides important safety related information.



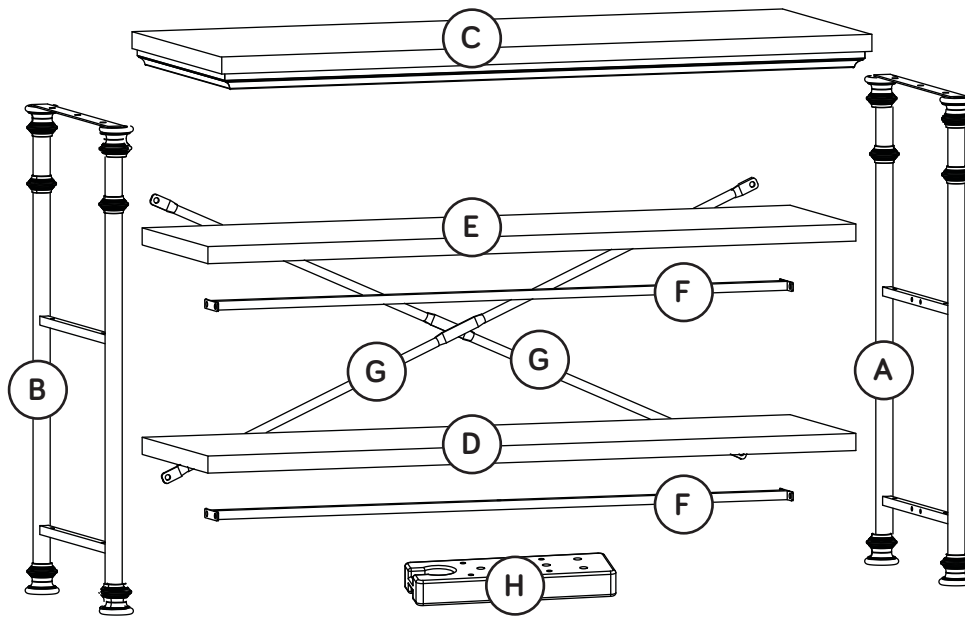
Part Identification

Now you know our ABCs.



While not all parts are labeled, some of the parts will have a label or an inked letter on the edge to help distinguish similar parts from each other. Use this part identification to help identify similar parts.

A	RIGHT END (1)	D	BOTTOM (1)	G	BACK BRACE (2)
B	LEFT END (1)	E	SHELF (1)	H	BLOCK (1)
C	TOP (1)	F	BRACE (2)		



Hardware Identification

Screws are shown actual size. You may receive extra hardware with your unit.

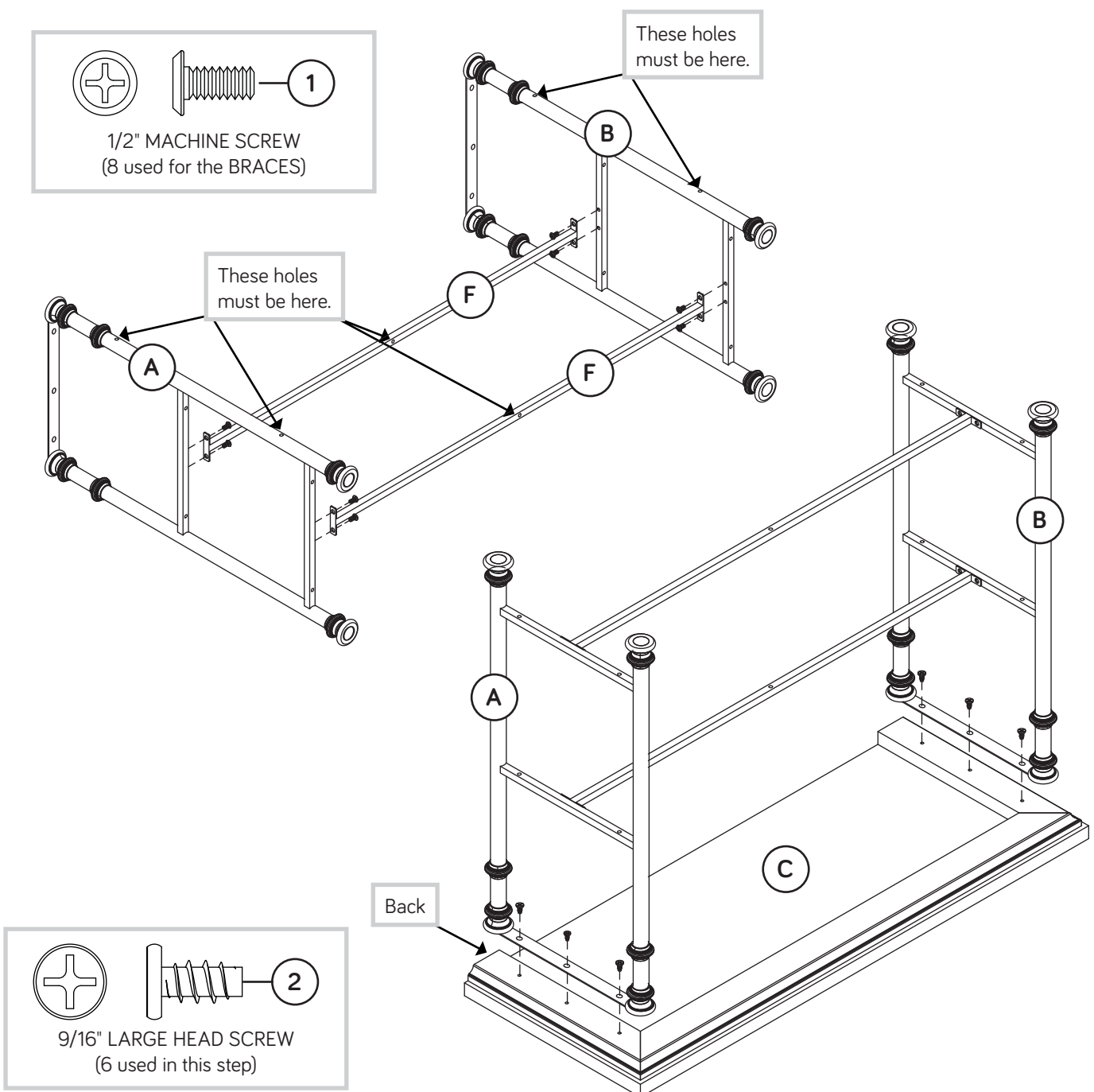
- 1** 1/2" MACHINE SCREW - 12
- 2** 9/16" LARGE HEAD SCREW - 6
- 3** 1-1/4" FLAT HEAD SCREW - 10
- 4** 2-9/16" MACHINE SCREW - 4
- 5** WASHER - 4
- 6** WARNING LABEL - 1

WARNING	ADVERTENCIA	AVERTISSEMENT
Never use this furniture with a TV that is too large or too heavy. Serious injury or death can occur. The TV and furniture will be unstable and may tip.	Nunca use este mueble con un televisor que es demasiado grande o demasiado pesado. Podría causar una lesión grave o incluso la muerte. La televisión y el mueble serán inestables y pueden volcarse.	Né jamais utiliser ce meuble avec un téléviseur qui soit trop large ou trop lourd. Risque de blessures graves, voire mortelles. La télévision et le meuble seront instables et risquent de se renverser.
The TV must weigh less than 35 lbs. - no more.	El televisor debe pesar 15 kg. o menos.	Le téléviseur doit peser 15 kg. ou moins.
The base of the TV must be stable or completely on this shelf.	La base del televisor debe poder colocarse completamente sobre este estante.	La base du téléviseur doit pouvoir être placée complètement sur cette tablette.
Refer to instruction book for complete safety information.	Consulte el libro de instrucciones para información completa sobre la seguridad.	Consultez le manuel d'instructions pour information complète concernant la sécurité.
Note: This is a consumable label. Do not try to remove. Surface will be damaged.	Note: Esta etiqueta es consumible. No intente quitarla. Causará daño a la superficie.	Remarque: Cette étiquette est consommable. Ne pas essayer de la retirer. Causera des dommages à la surface.

(Refer to the last step for proper location and application)

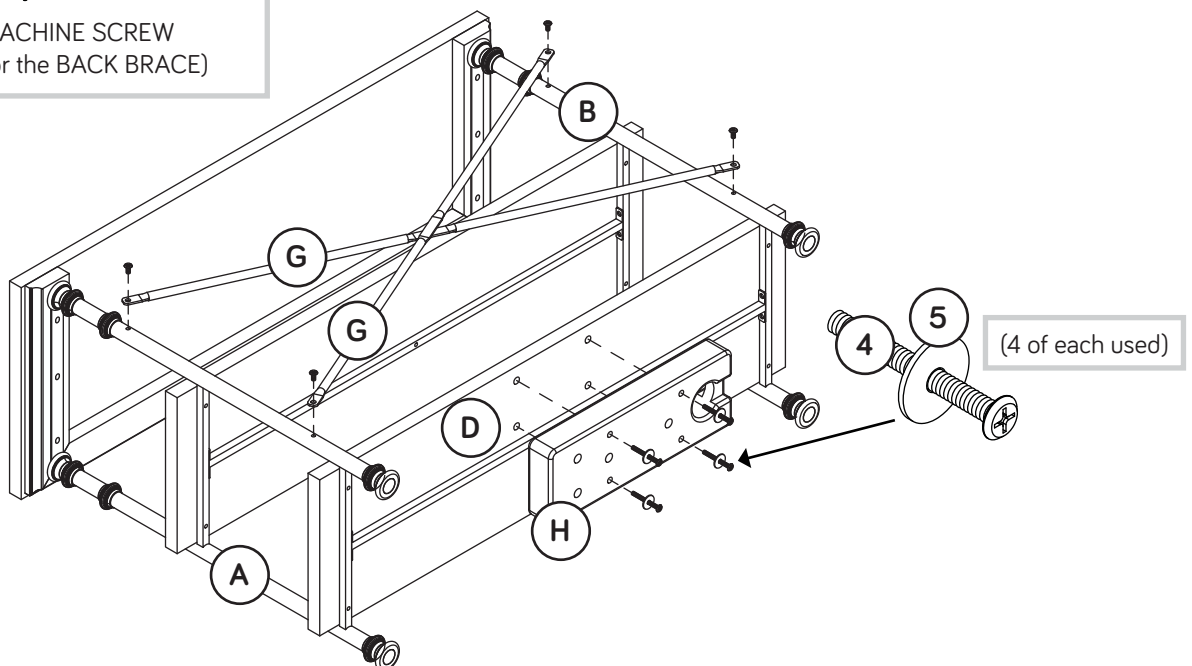
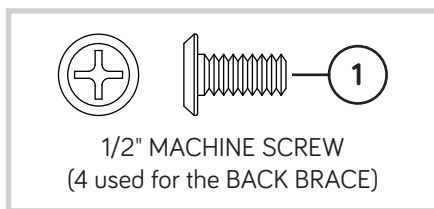
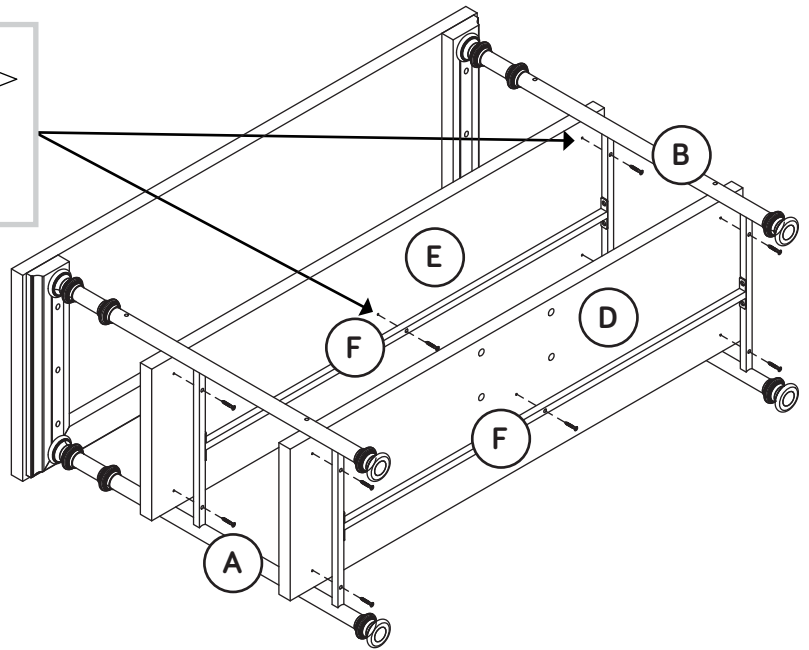
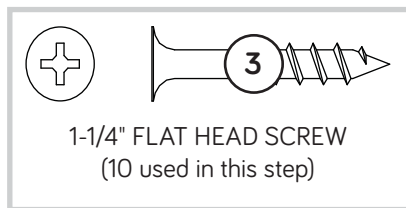
Step 1

- ✦ Do not completely tighten screws until you have completed assembly.
- ✦ Assemble your unit on a carpeted floor or on the empty carton to avoid scratching your unit or the floor.
- ✦ Fasten the ENDS (A and B) to the BRACES (F). Use eight 1/2" MACHINE SCREWS (1).
- ✦ Fasten the TOP (C) to the ENDS (A and B). Use six 9/16" LARGE HEAD SCREWS (2).
- ✦ NOTE: The holes in the ENDS (A and B) must face the back of the TOP.



Step 2

- ✚ Fasten the BOTTOM (D) and SHELF (E) to the ENDS (A and B) and BRACES (F). Use ten 1-1/4" FLAT HEAD SCREWS (3).
- ✚ Fasten the BLOCK (H) to the BOTTOM (D). Use four 2-9/16" MACHINE SCREWS (4) and four WASHERS (5).
- ✚ Fasten the BACK BRACES (G) to the ENDS (A and B). Use four 1/2" MACHINE SCREWS (1).
- ✚ Completely tighten all of the SCREWS.



Step 3

- ✚ Carefully stand your unit upright.
- ✚ Apply the WARNING LABEL (6) to the TOP (C). You should be able to read the label when the TV is removed from the unit. When the TV is in place, it should hide the label. Peel off the backing and apply the label as shown in the diagram.
- ✚ **NOTE:** This is a permanent label intended to last for the life of the product. Once applied, do not try to remove it.
- ✚ **NOTE:** Please read the back pages of the instruction booklet for important safety information.
- ✚ This completes assembly. Clean with your favorite furniture polish or a damp cloth. Wipe dry.

★ And to celebrate, why not share your success story?



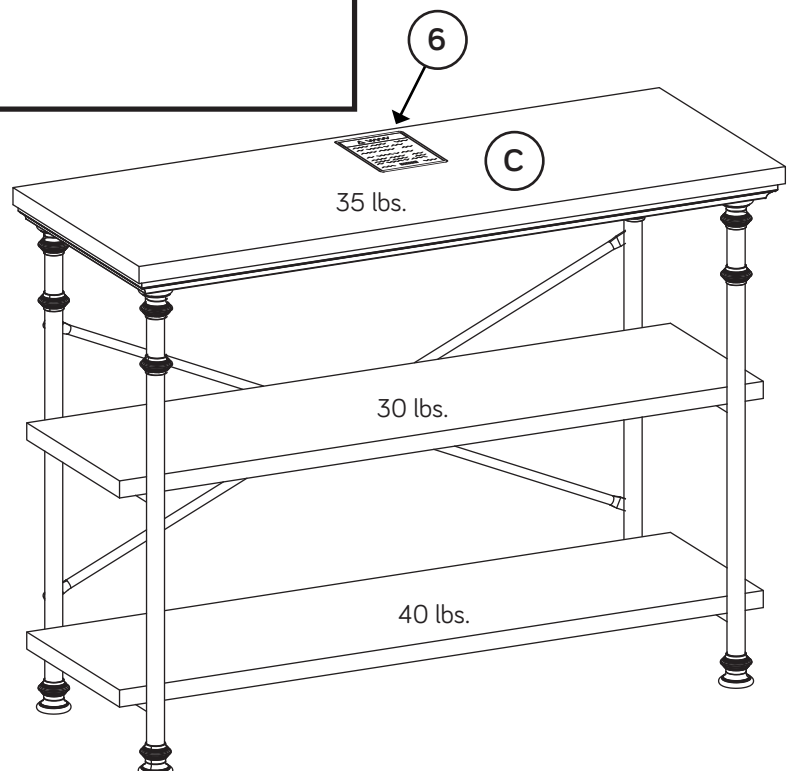
⚠ WARNING •

Never use this furniture with a TV that is too large or too heavy. Severe injury or death can occur. The TV and furniture will be unstable and may tip.

-The TV **must** weigh less than **35 lbs.**
-The base of the TV **must** be able to sit completely on the shelf.

Refer to instruction book for complete safety information.

Note: This is a permanent label. Do not try to remove. Surface will be damaged.



 **WARNING**

Please use your furniture correctly and safely. Improper use can cause safety hazards, or damage to your furniture or household items. Carefully read the following safety information.

Death or serious injury may occur when children climb on audio and/or video equipment furniture. A remote control or toys placed on the furnishing may encourage a child to climb on the furnishing and as a result may tip over onto the child.

NEVER allow children to climb or play with the TV or furnishing supporting the TV.

NEVER place toys, food, remote, etc. on top of the TV or TV furnishing.

ALWAYS use either the safety hardware as instructed or other wall anchoring device.

Relocating audio and/or video equipment to furniture not specifically designed to support audio and/or video equipment may result in death or serious injury due to furniture collapse or over turning onto a child.

NEVER place a TV on furniture that is not intended to support a TV.

NEVER exceed the maximum size and weight of the TV shown in the instructions.

Be sure to apply the TV warning label as shown in the instructions.

Overloading drawers and shelves may result in furniture that can break or sag, or tip-over which may result in injury.

NEVER exceed the weight limits shown in the instructions.

Place the heavier items on lower shelves as far back from the front as possible.

Load the bottom surfaces first to avoid top-heavy furniture.

Moving furniture that is not designed to be moved or equipped with casters may result in injury or damage to furnishings or personal property.

ALWAYS unload shelves and drawers, starting with the top surfaces, before moving.

NEVER push or pull furniture on carpet. Have a friend help lift properly to move and/or reposition it.