

MODEL : CHAIRMAN GUEST UK809DW

Teknik
O F F I C E

**IMPORTANT NOTICE:
HARDWARE PACKAGE IS ATTACHED ON
THE BOTTOM OF SEAT CUSHION.**

(1)*1



(2)-1



FRONT LEG

(2)-2



FRONT LEG

(2)-3



BACK LEG

(2)-4



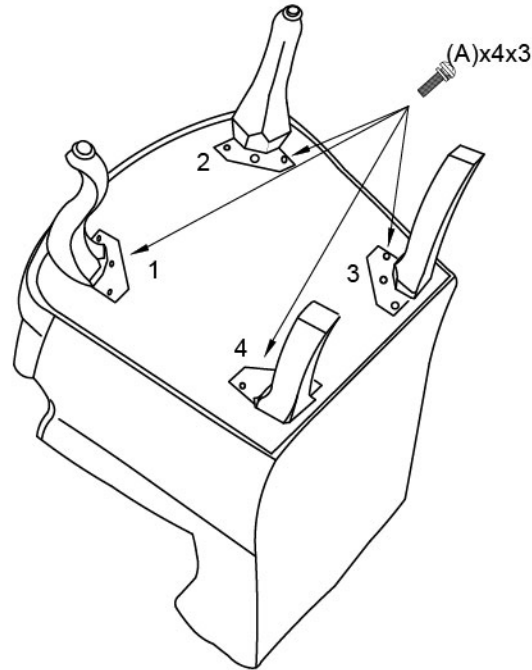
BACK LEG

(A)*12

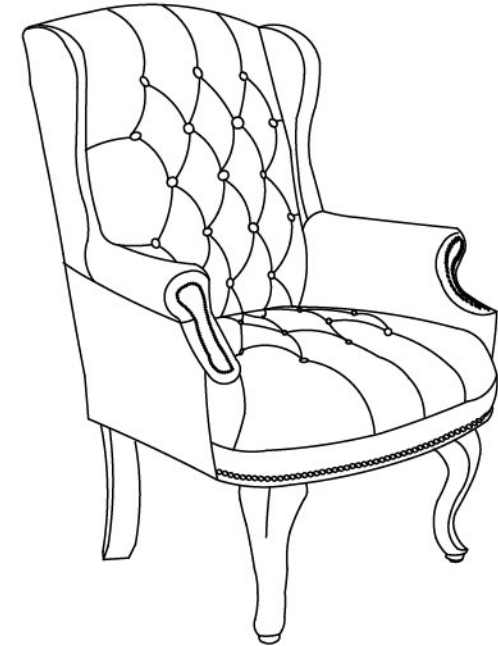


M8*30 LEG SCREWS

STEP 1



STEP 2



Insert and loosely tighten all screws. When assembly is completed, fully tighten all screws before using. This chair is only intended for sitting. Any other use will void the warranty.

**Teknik Office Ltd, West One 63-67 Bromham Road,
Bedford, MK40 2FG**

TEL:01234 328804 FAX:01234 342446

If you encounter any problems with the operation of your chair, please refer to the downloads section of our web site - www.teknikoffice.co.uk