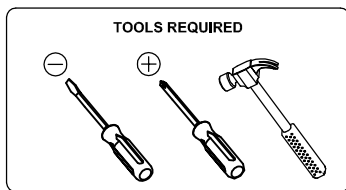
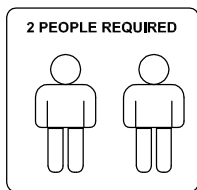
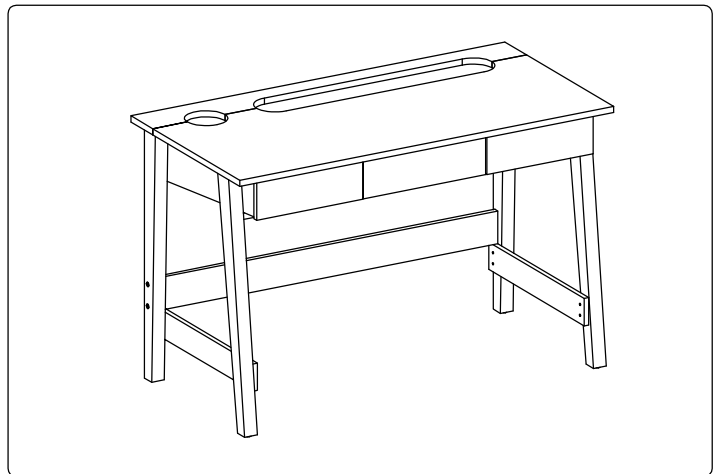
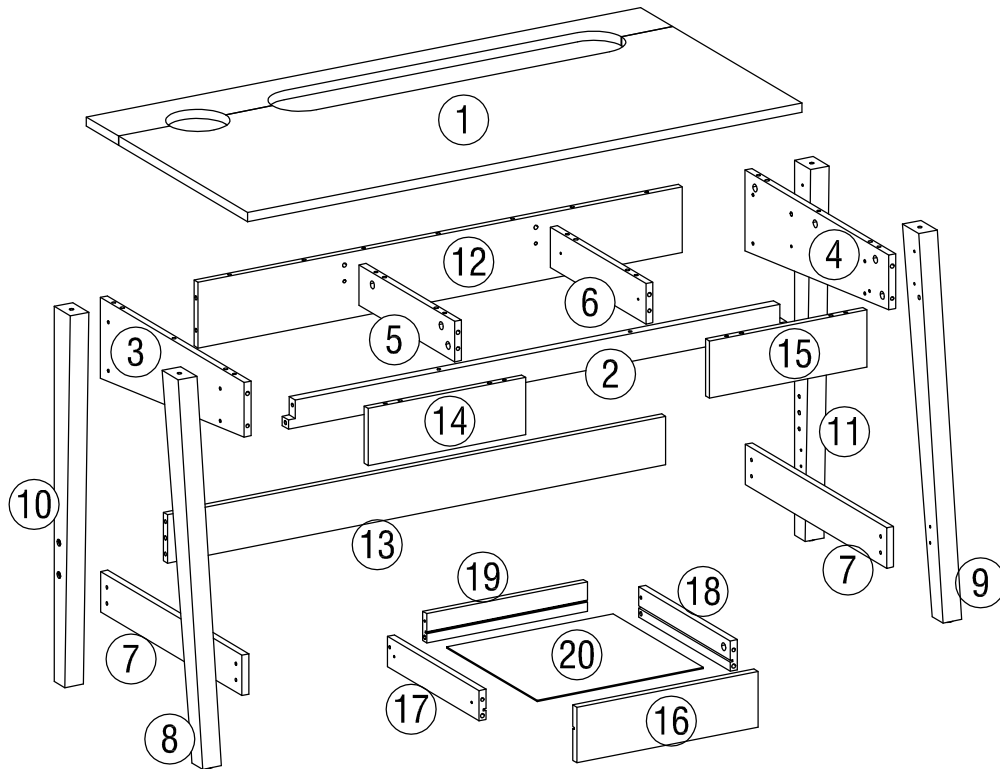


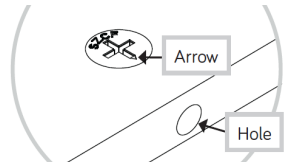
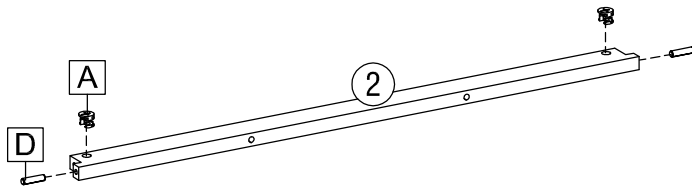
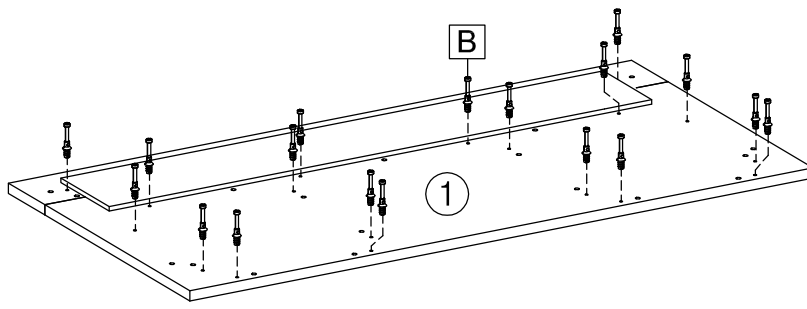
ITHACA DESK RIVIERA OAK EFFECT



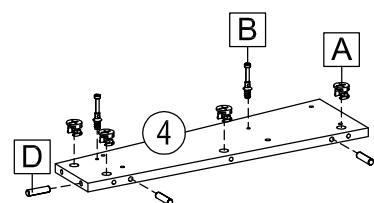
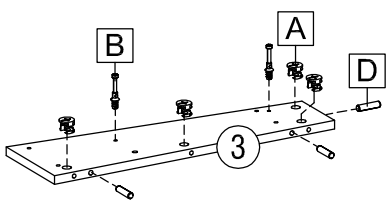
SPARE PART

<p>A</p> <p>28X</p>	<p>B</p> <p>28X</p>	<p>C</p> <p>32X</p>	<p>D</p> <p>35X</p>	<p>E</p> <p>2X</p>	<p>F</p> <p>20X</p>	<p>G</p> <p>4X</p>
<p>H</p> <p>4X</p>	<p>I</p> <p>1X</p>	<p>J</p> <p>1set</p>	<p>K</p> <p>8X</p>			

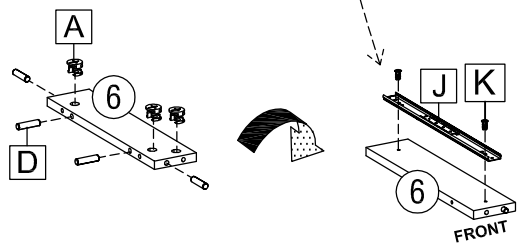
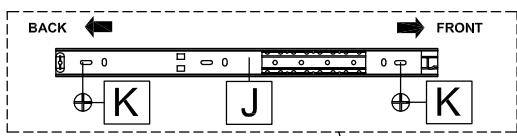
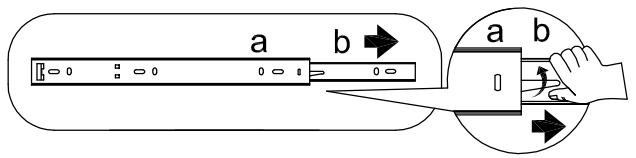
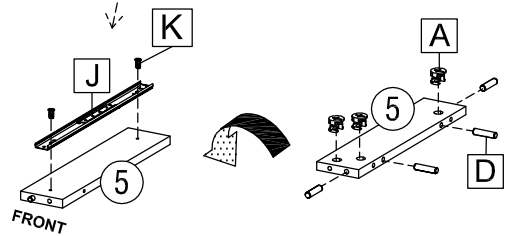
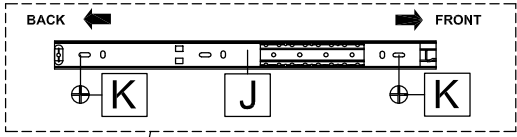
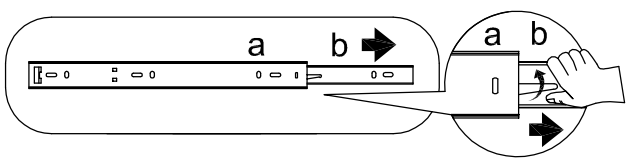
1



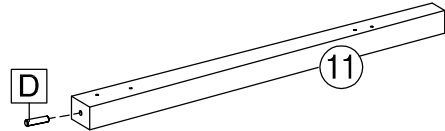
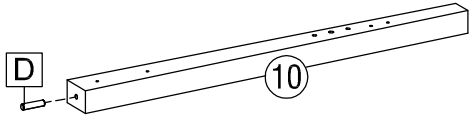
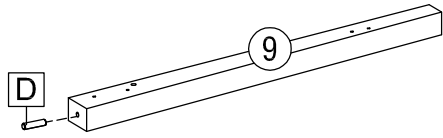
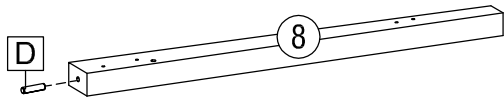
The arrow in the HIDDEN CAM must point toward the hole in the edge of the board.



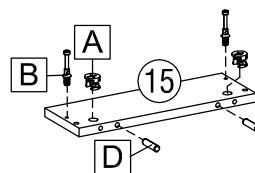
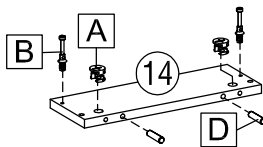
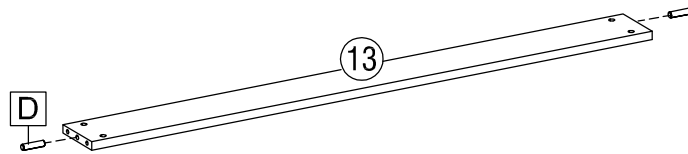
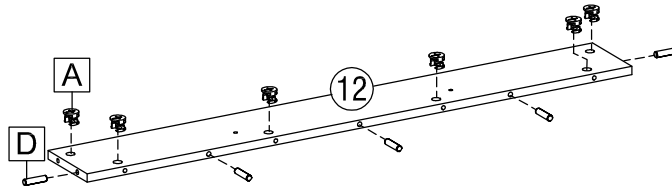
2



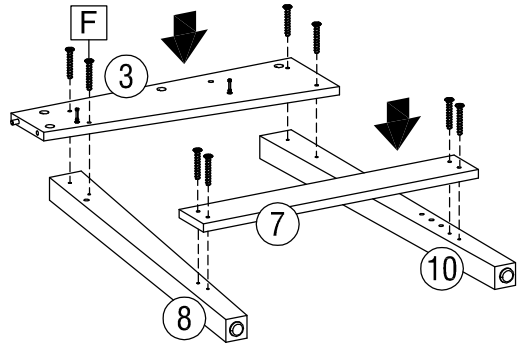
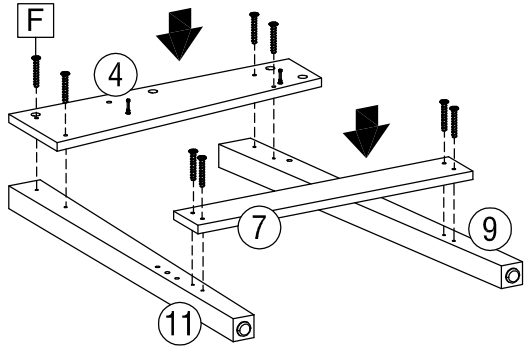
3



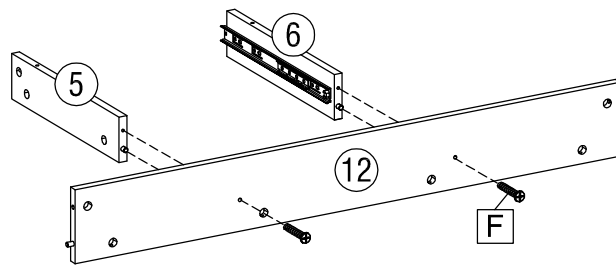
4



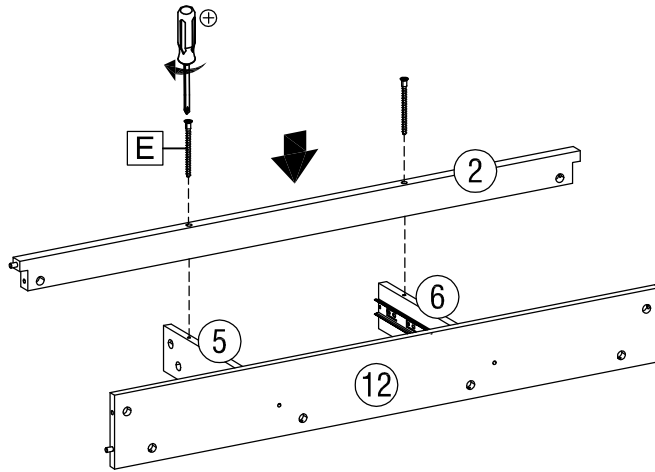
5



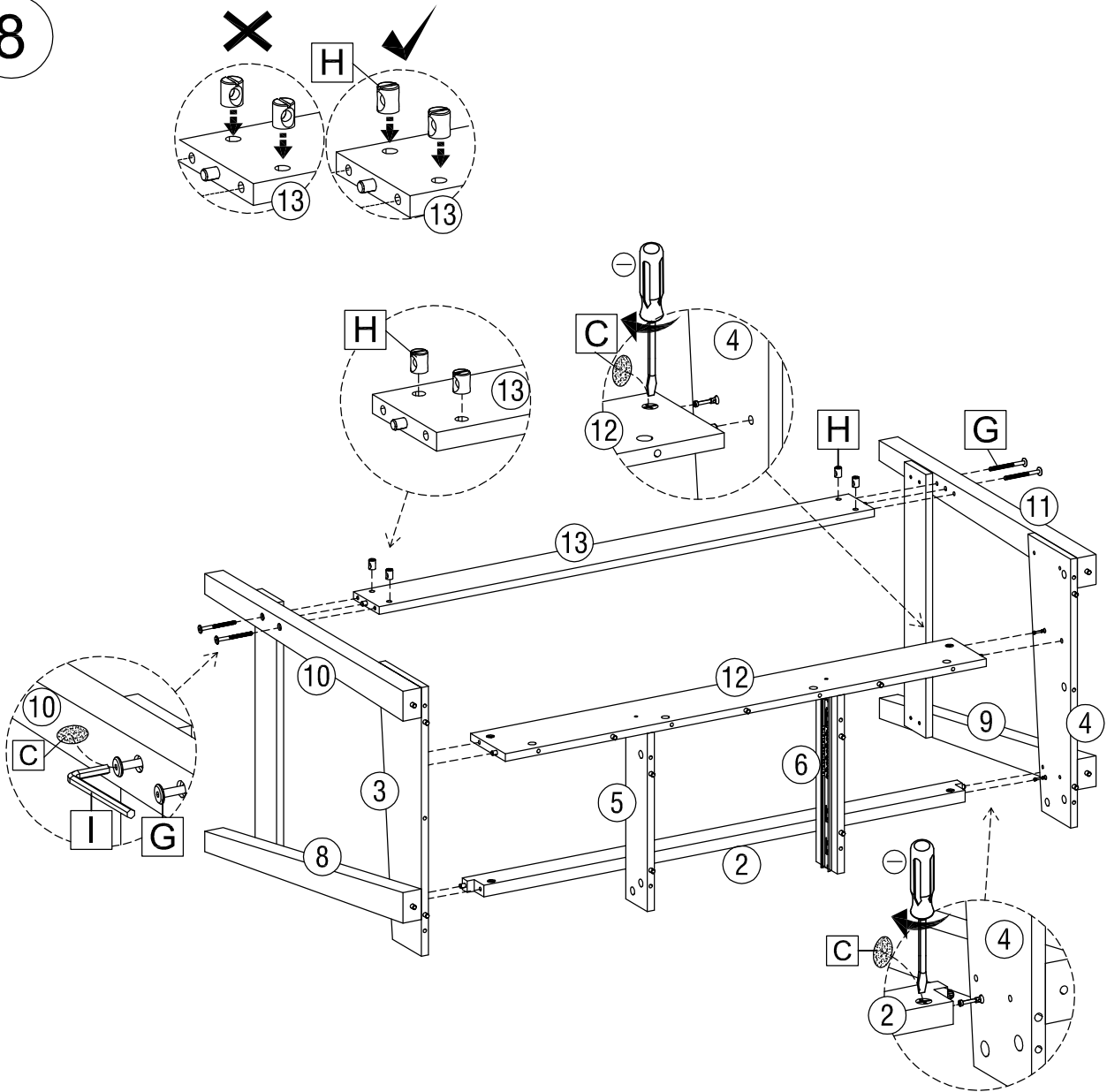
6



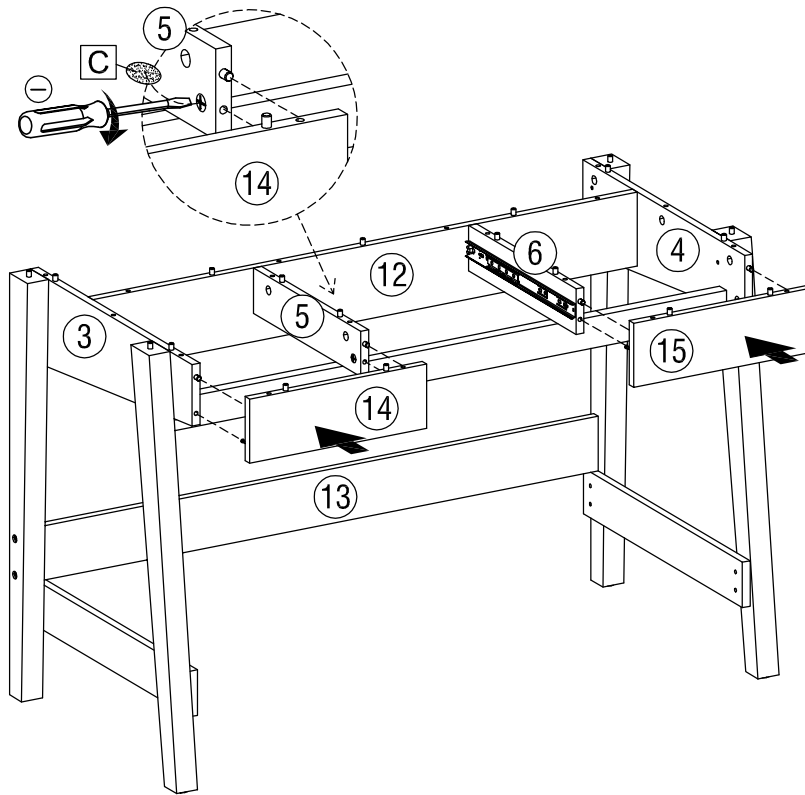
7



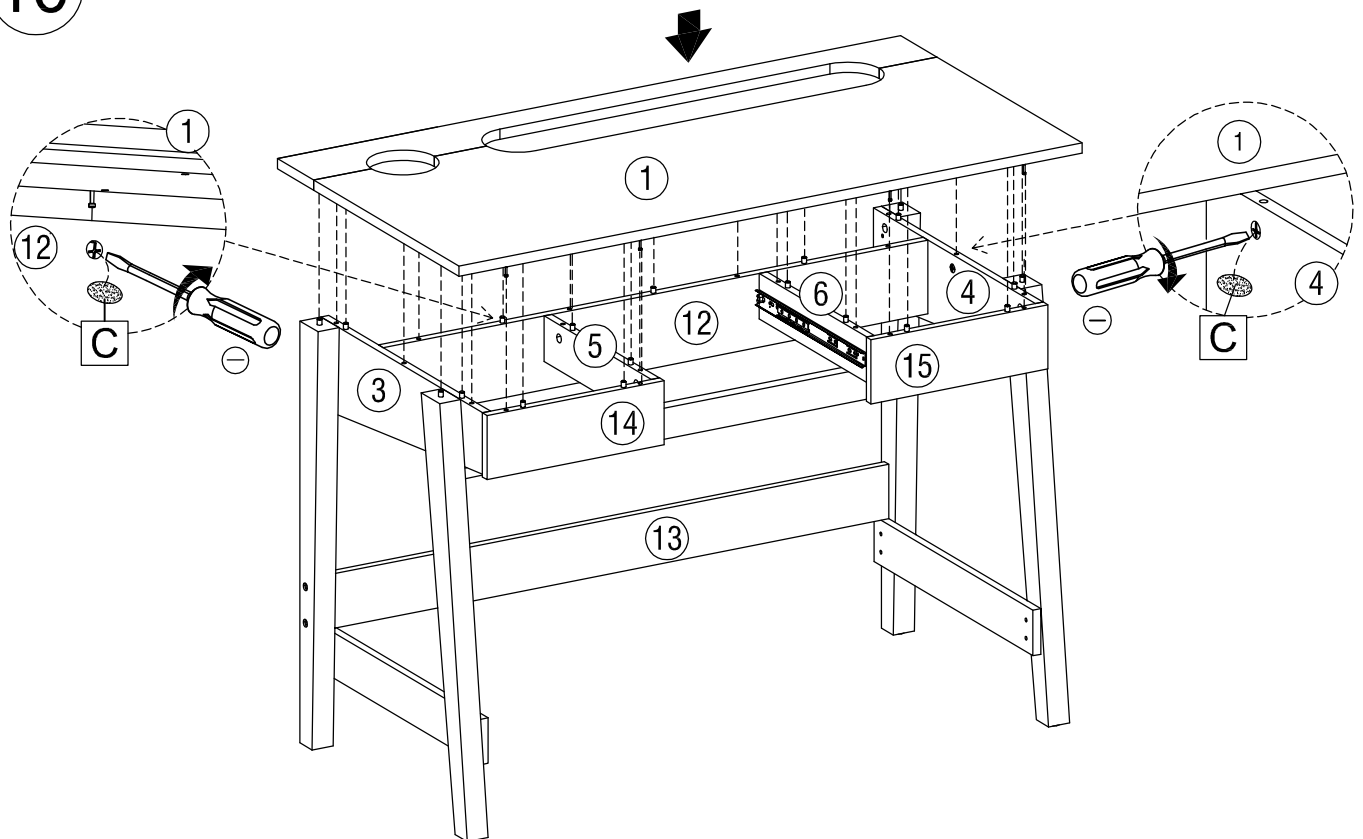
8



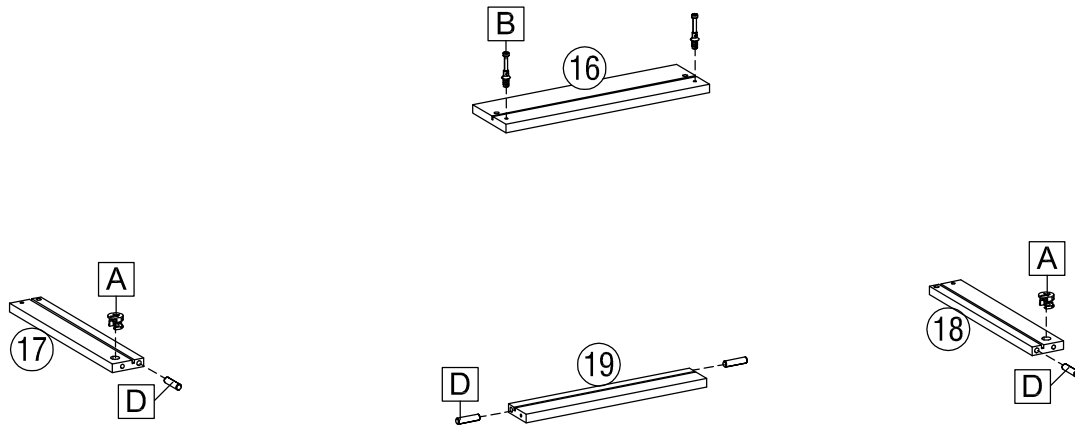
9



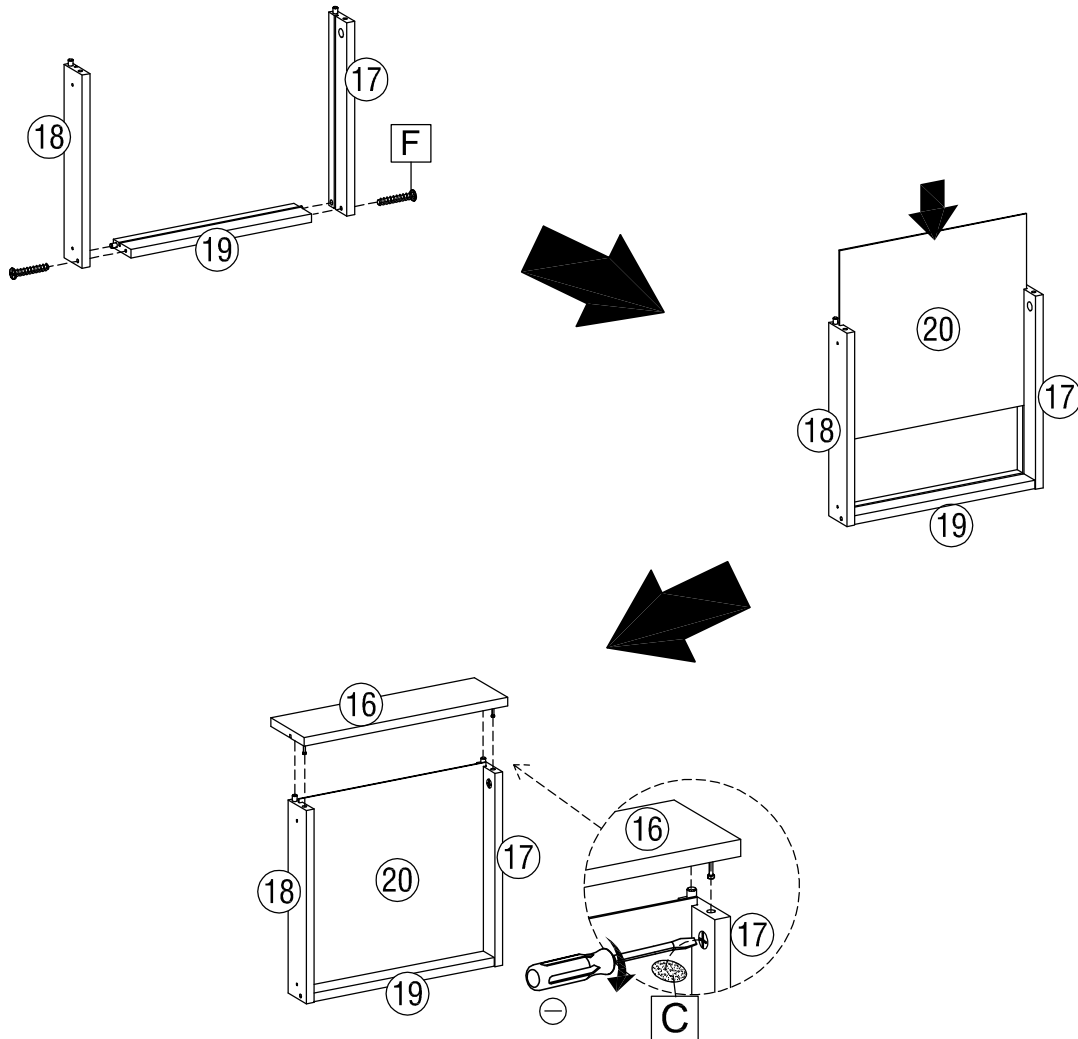
10



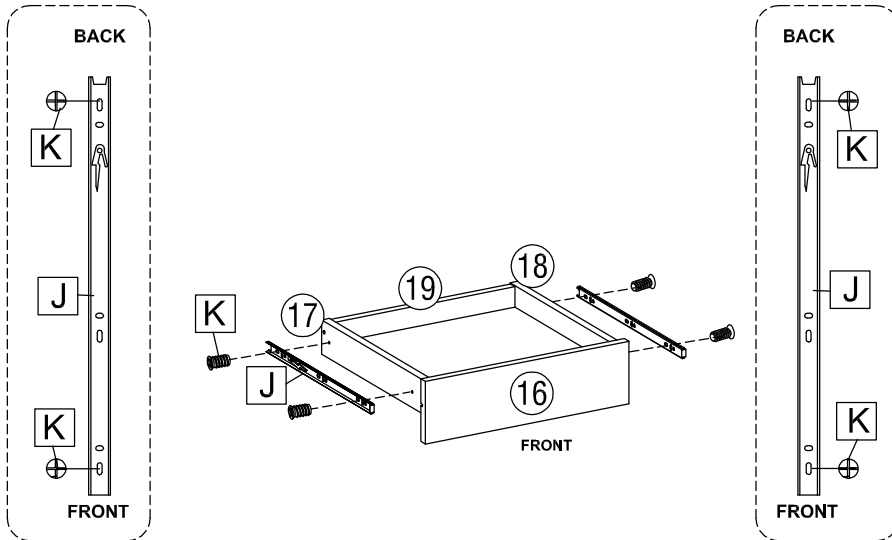
11



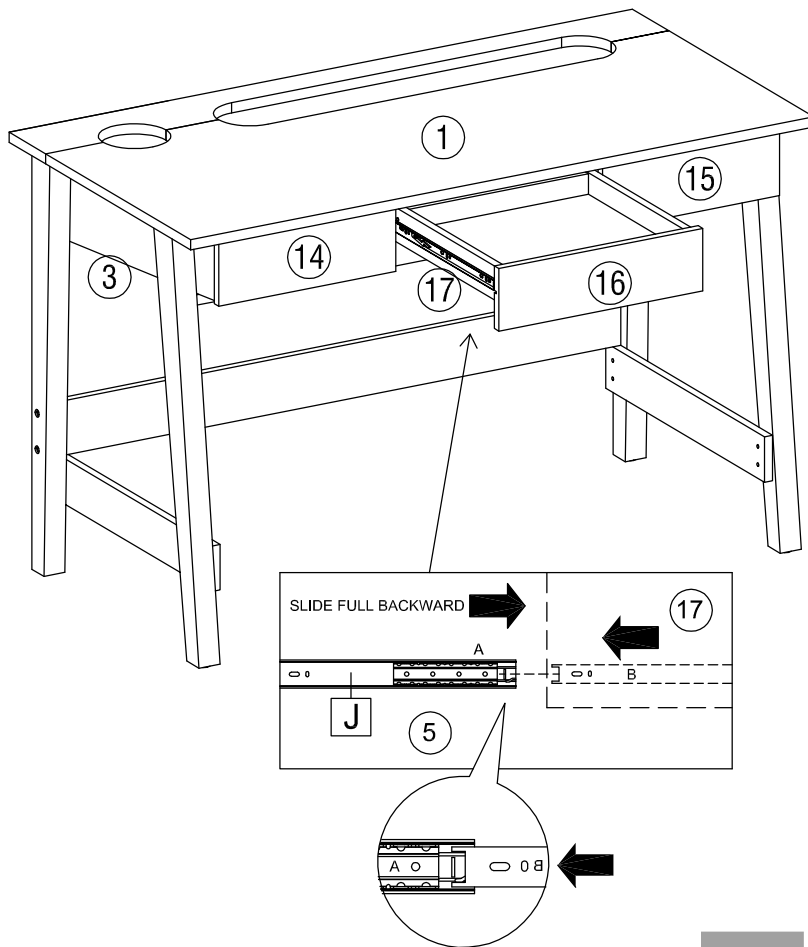
12



13



14



Teknik