

MODEL : CHAIRMAN GUEST UK809DW

**Teknik**  
O F F I C E

**IMPORTANT NOTICE:  
HARDWARE PACKAGE IS ATTACHED ON  
THE BOTTOM OF SEAT CUSHION.**

(1)\*1



(2)-1



FRONT LEG

(2)-2



FRONT LEG

(2)-3



BACK LEG

(2)-4



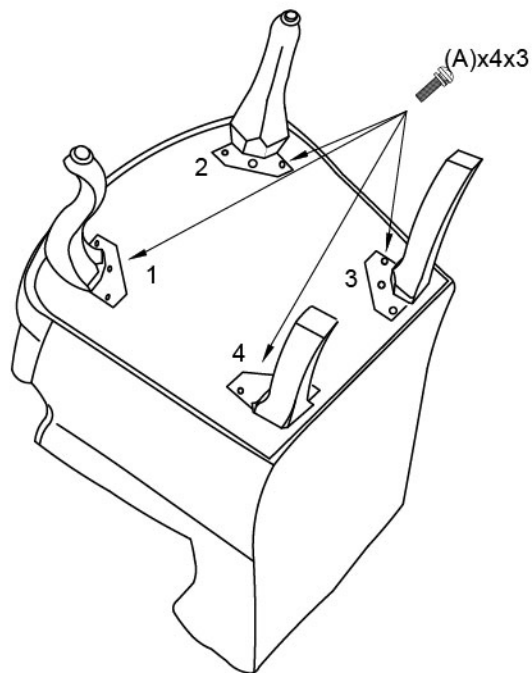
BACK LEG

(A)\*12



M8\*30 LEG SCREWS

STEP 1



STEP 2



**Insert and loosely tighten all screws. When assembly is completed, fully tighten all screws before using. This chair is only intended for sitting. Any other use will void the warranty.**

**Teknik Office Ltd, West One 63-67 Bromham Road,  
Bedford, MK40 2FG**

**TEL:01234 328804 FAX:01234 342446**

**If you encounter any problems with the operation of your chair, please refer to the downloads section of our web site - [www.teknikoffice.co.uk](http://www.teknikoffice.co.uk)**