

When the angle of the back has been adjusted, please ensure that the lever is locked in place, do not leave it unlocked as it can compromise the structure of the chair.

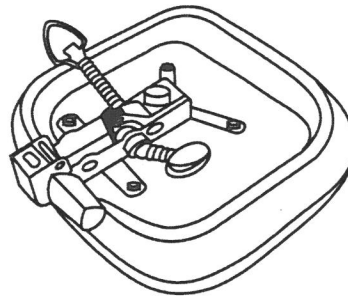
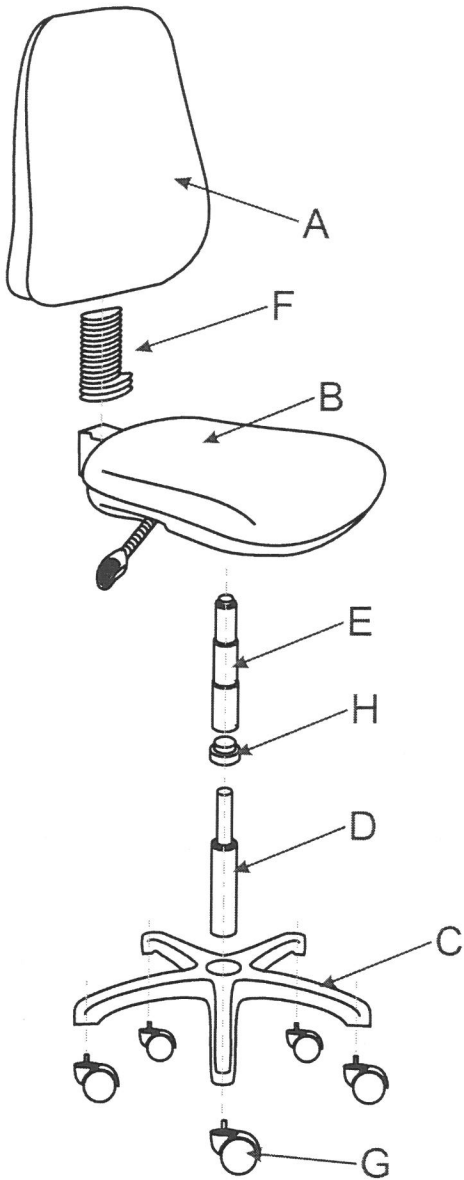
TEKNIK OFFICE LTD.

Phone: 01234 328804

Fax: 01234 342446

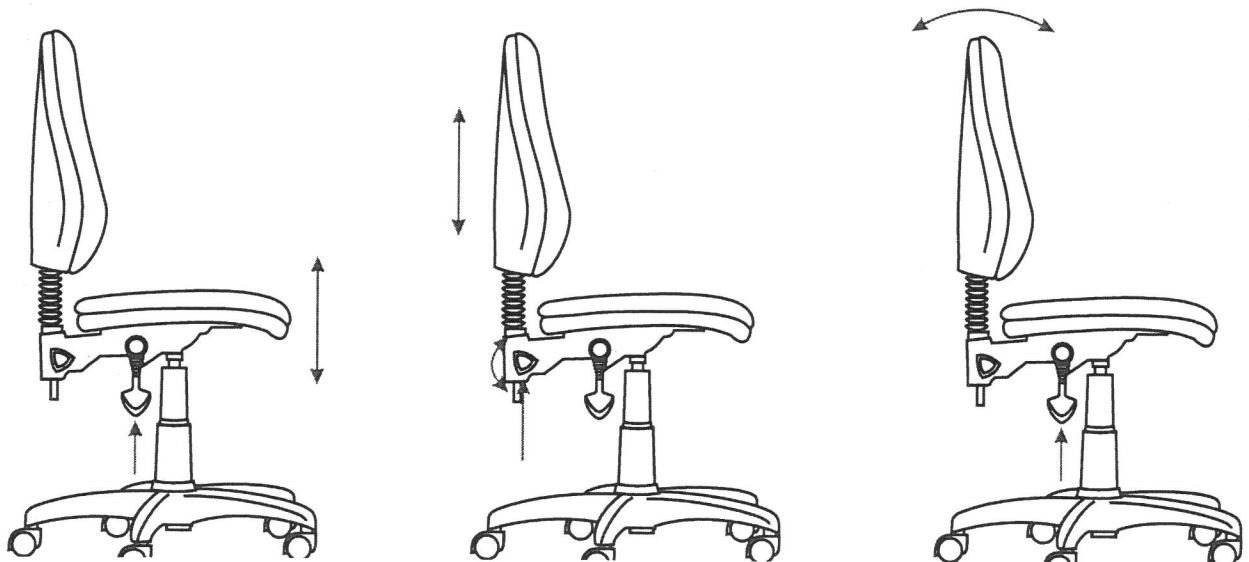
E-mail: CustomerService@teknikoffice.co.uk

ASSEMBLY INSTRUCTION



A	x1	B	x1	C	x1
D	x1	E	x1	F	x1
G	x5	H	x1	this part is attached to the bottom of E	

OPERATING INSTRUCTION



TEKNIK OFFICE LTD

Phone: 0 1234 328804

Fax: 0 1234 342446

e-mail: CustomerService@teknikoffice.co.uk

RING KIT DELUXE

ASSEMBLY AND ADJUSTMENT INSTRUCTIONS

Before beginning the assembly, check to see that all parts are enclosed.

PART LIST

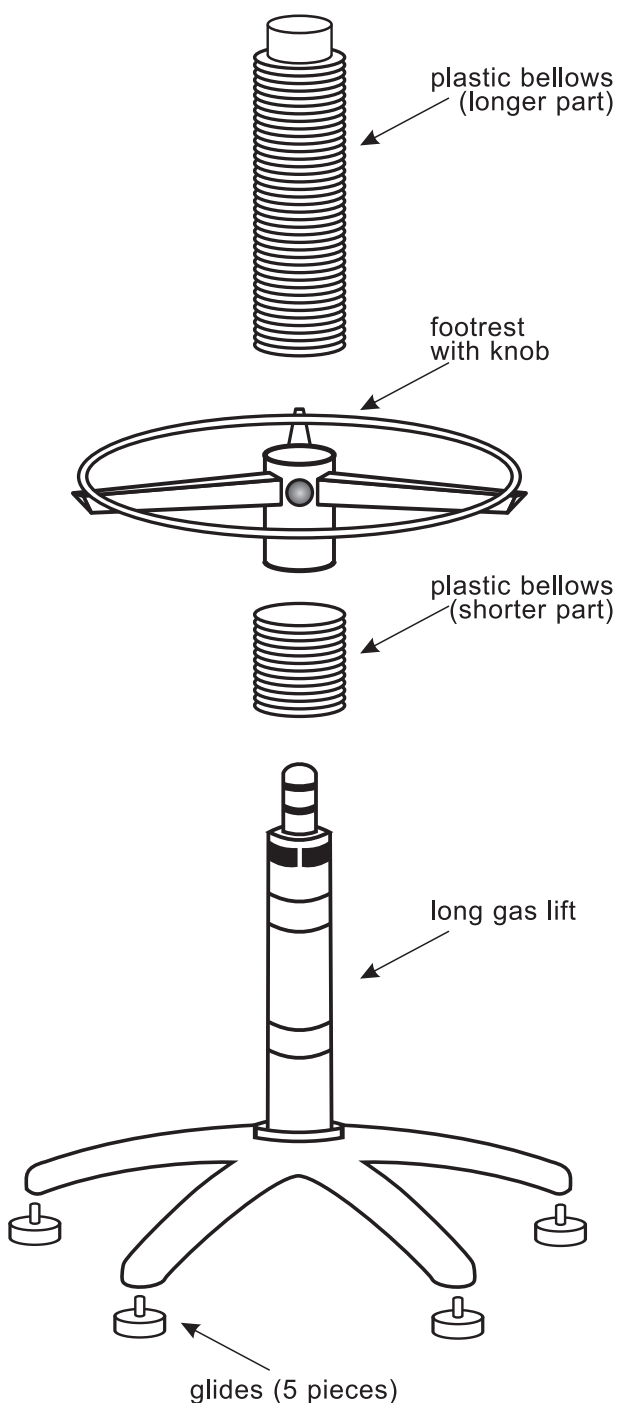
- 1 long gas lift
- 1 footrest
- 2 plastic bellows (one shorter and one longer)
- 5 glides

ASSEMBLY

1. Insert glides into base.
2. Insert the long gas lift into the base and pull the plastic bellows A (shorter) over the lift.
3. Slide the footrest over the gas lift and tighten the screw knob. Pull the plastic bellows B (longer) over the lift. The screw knob regulates the footrest height.

WARNING

NB: Do not use this RING KIT with castors as to do so would be unsafe & compromise the structure of the chair.



Please note, the use of castors in conjunction with this conversion kit is dangerous as it will render the chair unstable and will invalidate your warranty.