


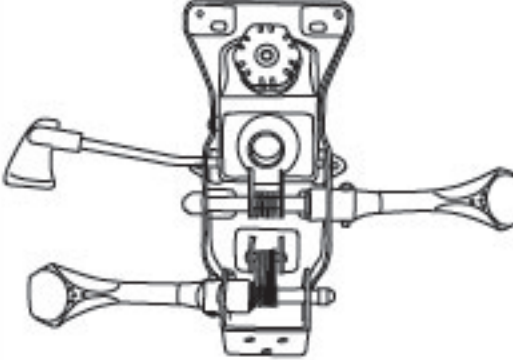


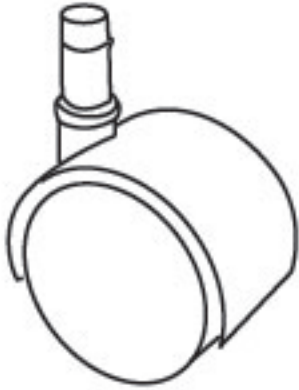




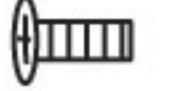


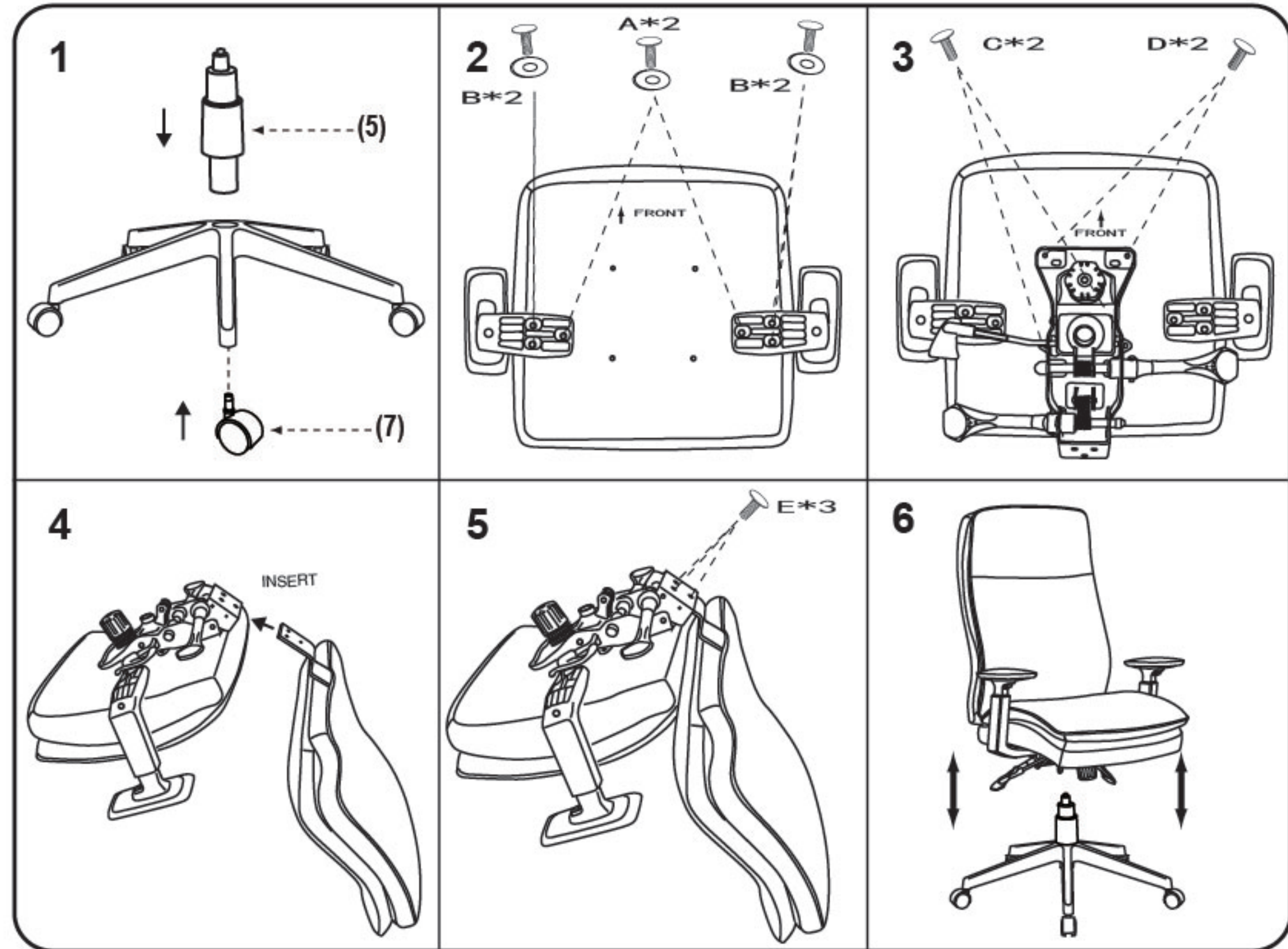


(1)x1	(2)x1	(3)x1 (L)x1 (R)
		
Back Cushion	Seat Cushion	Left-Arm Right-Arm
(4)x1	(5)x1	(6)x1
		
Mechanism	Gas Lift W/ Cover	Base
(7)x5		
		
Caster		

(A)X2			M6*30	ARM SCREW
(B)X4			M6*36	ARM SCREW
(C)X2			M6*22	MECHANISM SCREW
(D)X2			M6*30	MECHANISM SCREW
(E)X3			M8*18	L-BAR SCREW



Teknik Office Ltd, West One 63-67 Bromham Road,
Bedford, MK40 2FG
TEL:01234 328804 FAX:01234 342446

If you encounter any problems with the operation of your chair, please refer to the downloads section of our web site - www.teknikoffice.co.uk

