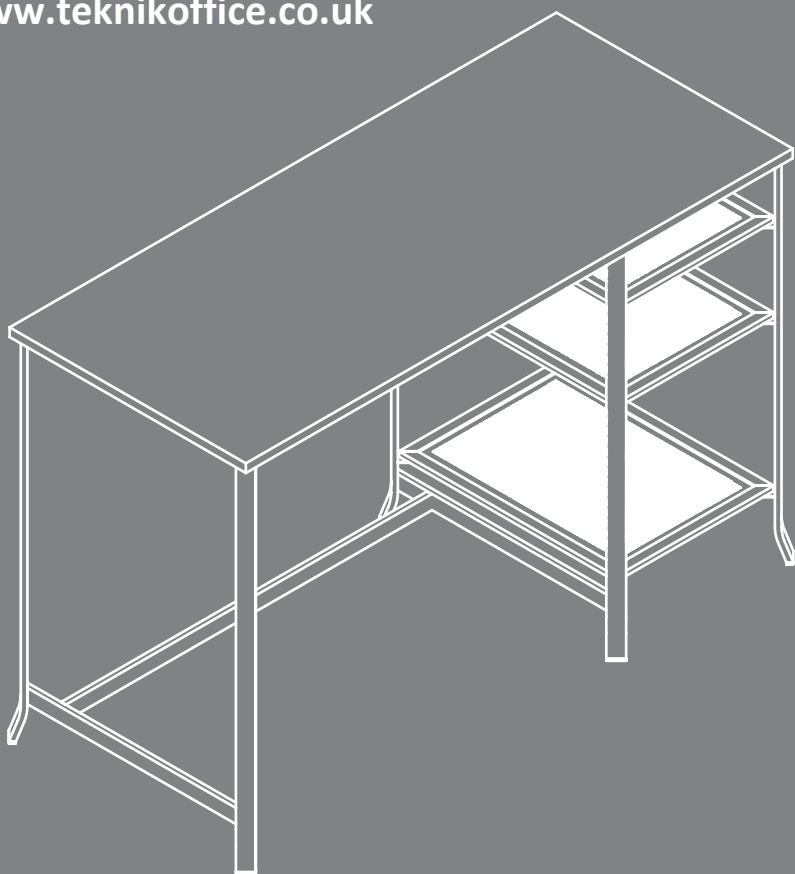


[www.teknikoffice.co.uk](http://www.teknikoffice.co.uk)

**Teknik**



For **all** your  
newfangled **gadgetry**.

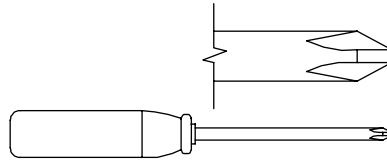
# City Centre Desk

Model 5427120

# Table of Contents

# Assembly Tools Required

Hardware Identification	2
Part Identification	3
Assembly Steps	4-12
Français	13-14
Español	15-16
Safety	17-18
Warranty	19

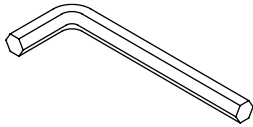


No. 2 Phillips Screwdriver  
Tip Shown Actual Size

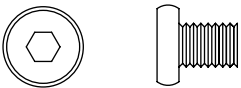
## Hardware Identification

† Screws are shown actual size. You may receive extra hardware with your unit.

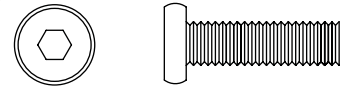
1 L-WRENCH - 1



2 5/16" HEX HEAD SCREW - 12



3 13/16" HEX HEAD SCREW - 12

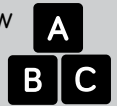


4 3/8" PAN HEAD SCREW - 24



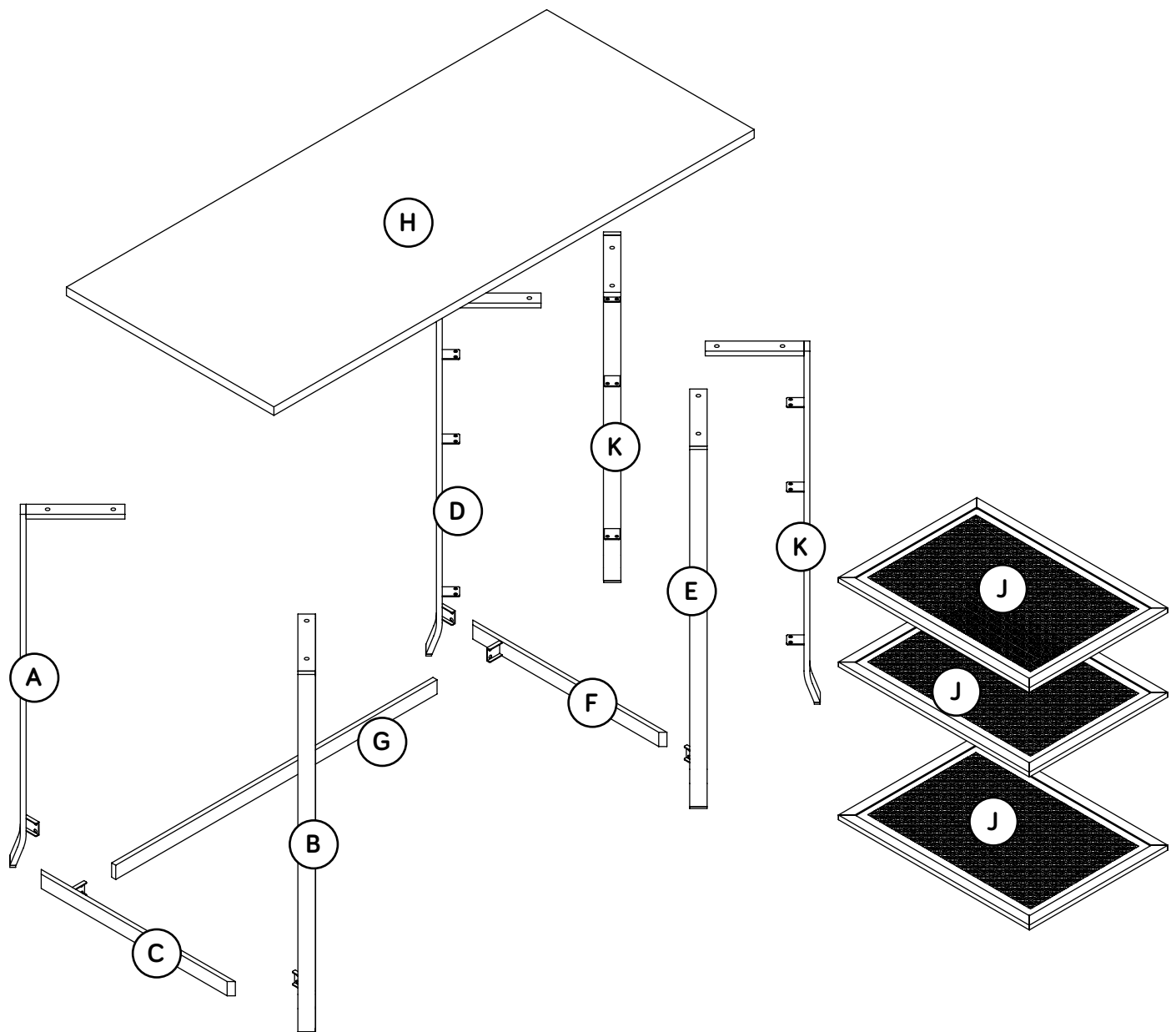
# Part Identification

Now you know  
our ABCs.



⚠ While not all parts are labeled, some of the parts will have a label or an inked letter on the edge to help distinguish similar parts from each other. Use this part identification to help identify similar parts.

A	REAR LEFT LEG (1)	D	REAR CENTER LEG (1)	G	CENTER MOLDING (1)
B	FRONT LEFT LEG (1)	E	FRONT CENTER LEG (1)	H	TOP (1)
C	LEFT MOLDING (1)	F	RIGHT MOLDING (1)	J	SHELF (3)
				K	RIGHT LEG (2)

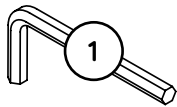


# Step 1

- ✚ Assemble your unit on a carpeted floor or on the empty carton to avoid scratching your unit or the floor.
- ✚ Fasten the LEFT LEGS (A and B) to the LEFT MOLDING (C). Tighten four 5/16" HEX HEAD SCREWS (2) using the L-WRENCH (1).
- ✚ **NOTE:** You should start each SCREW a few turns before completely tightening any of them.

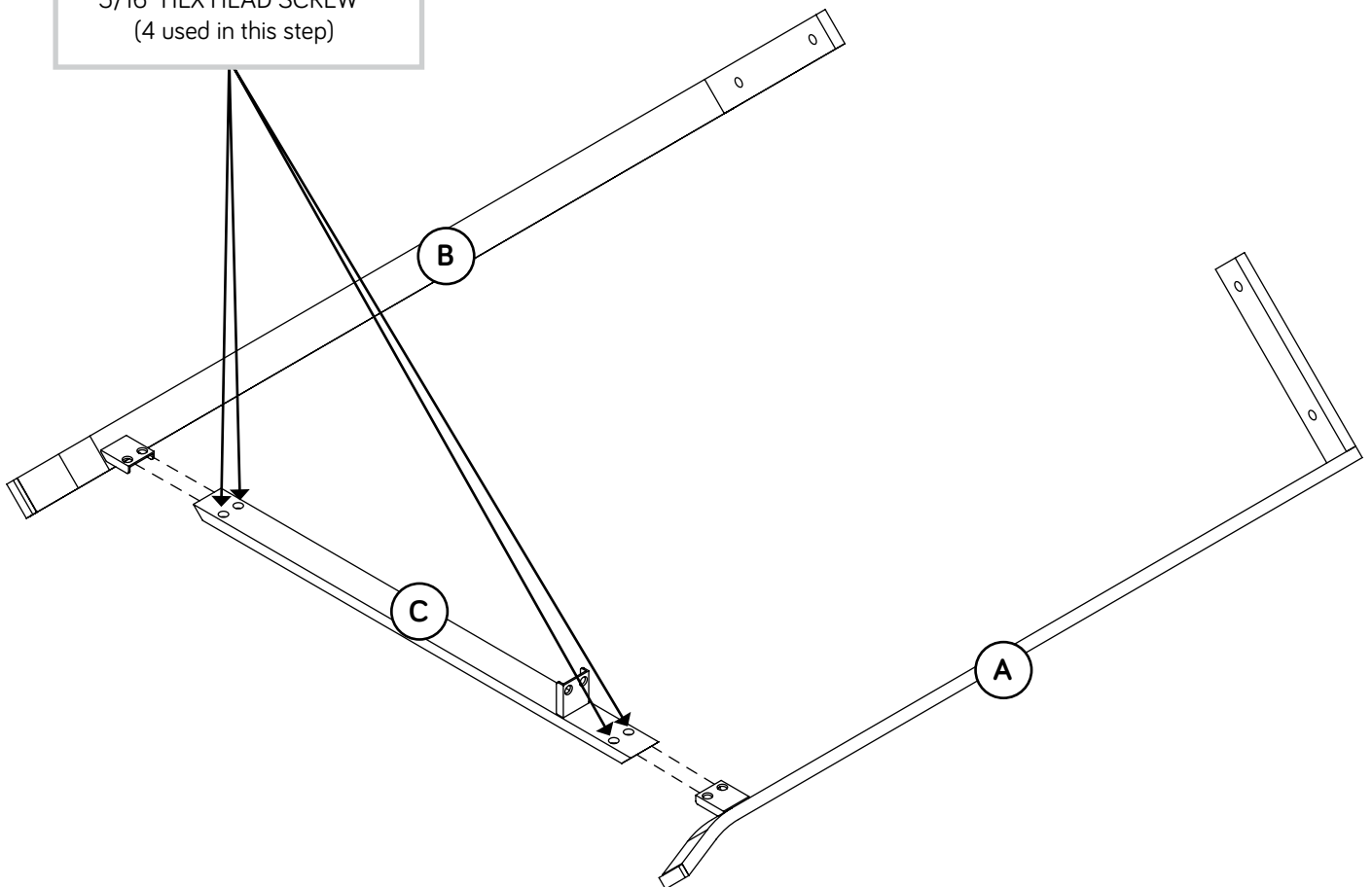


Just think. The sooner you do this, the sooner you do something else.



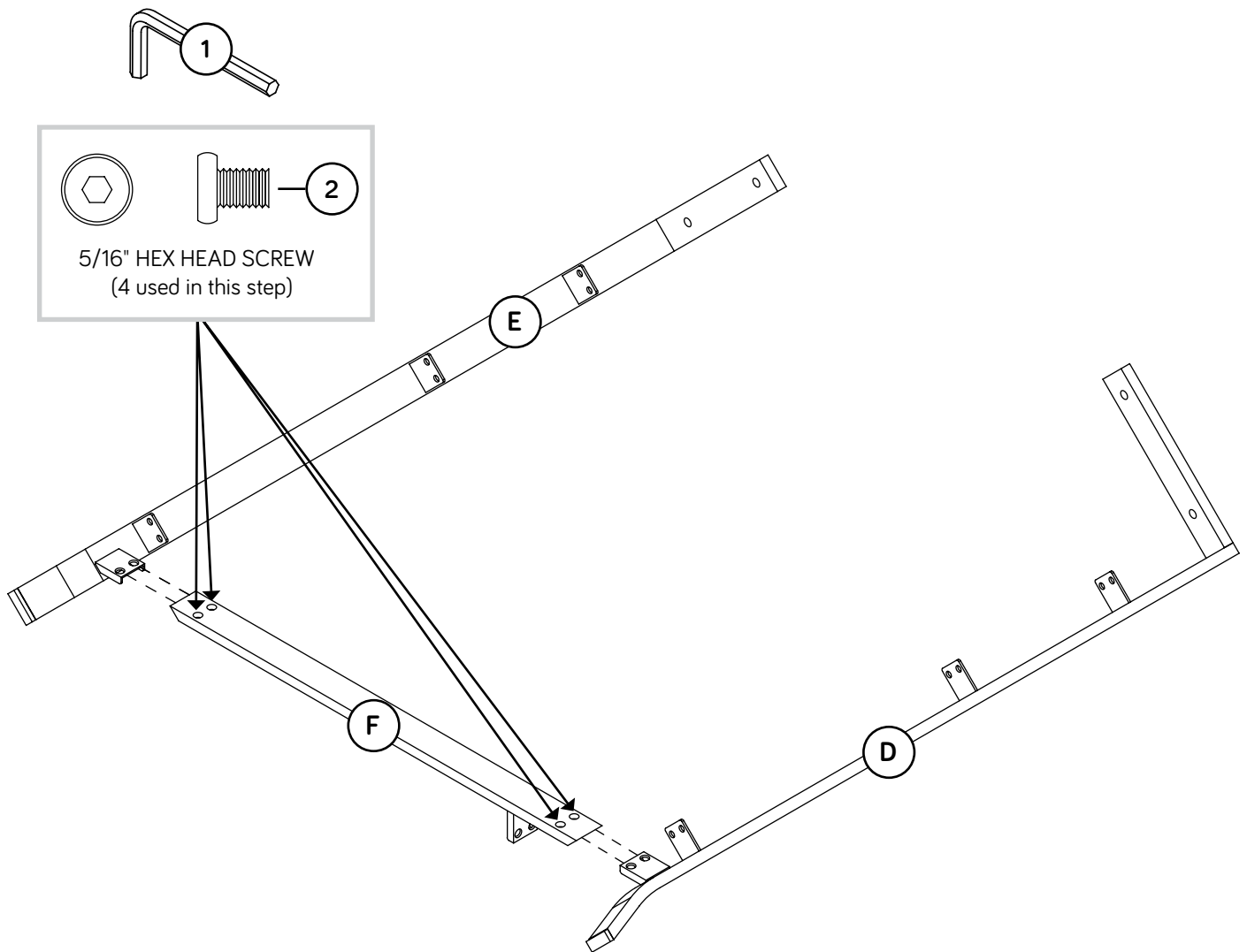
2

5/16" HEX HEAD SCREW  
(4 used in this step)



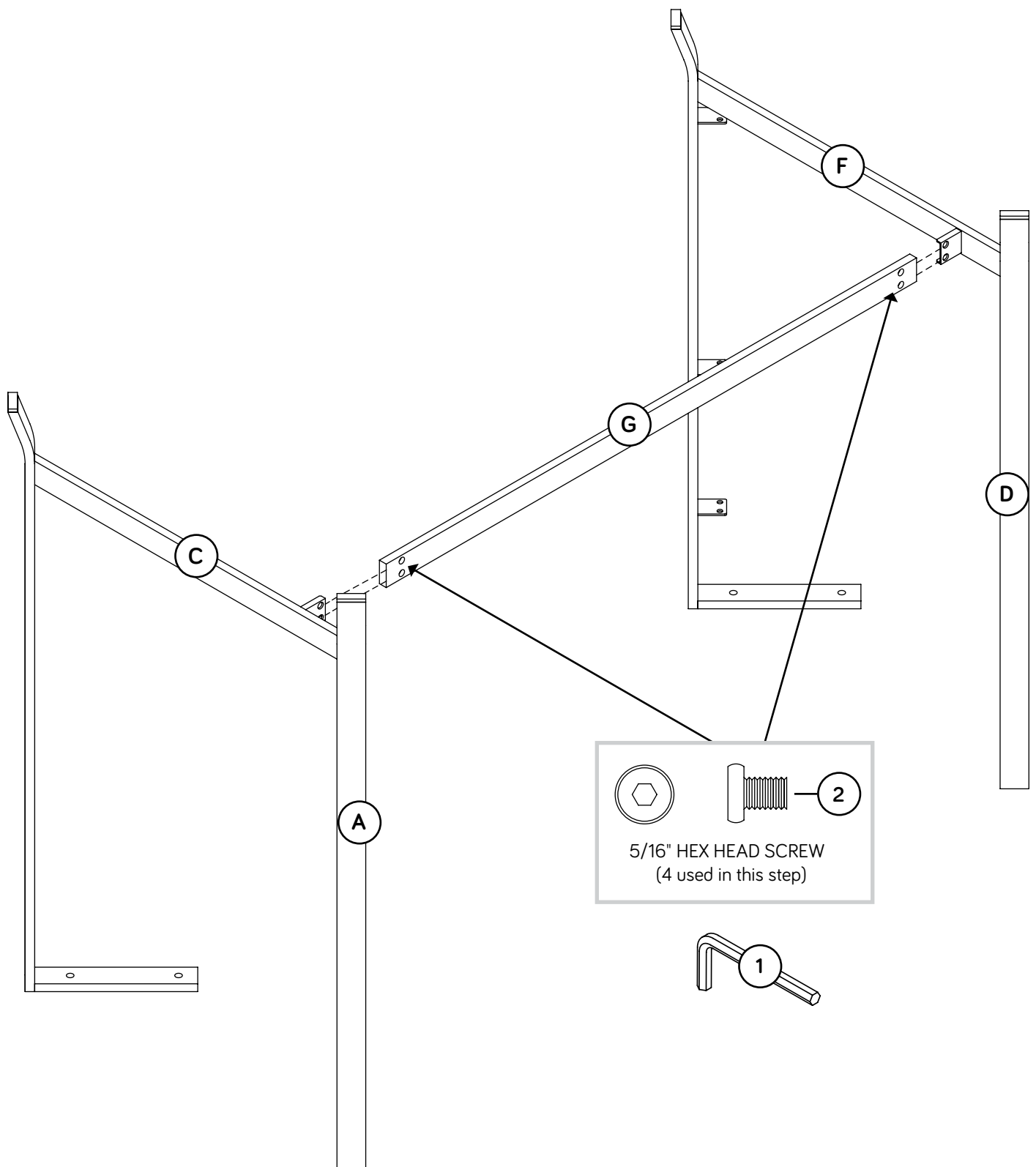
## Step 2

- Fasten the CENTER LEGS (D and E) to the RIGHT MOLDING (F). Tighten four 5/16" HEX HEAD SCREWS (2) using the L-WRENCH (1).
- NOTE:** You should start each SCREW a few turns before completely tightening any of them.



# Step 3

- Fasten the MOLDINGS (C and F) to the CENTER MOLDING (G).  
Tighten four 5/16" HEX HEAD SCREWS (2) using the L-WRENCH (1).
- NOTE:** You should start each SCREW a few turns before completely tightening any of them.

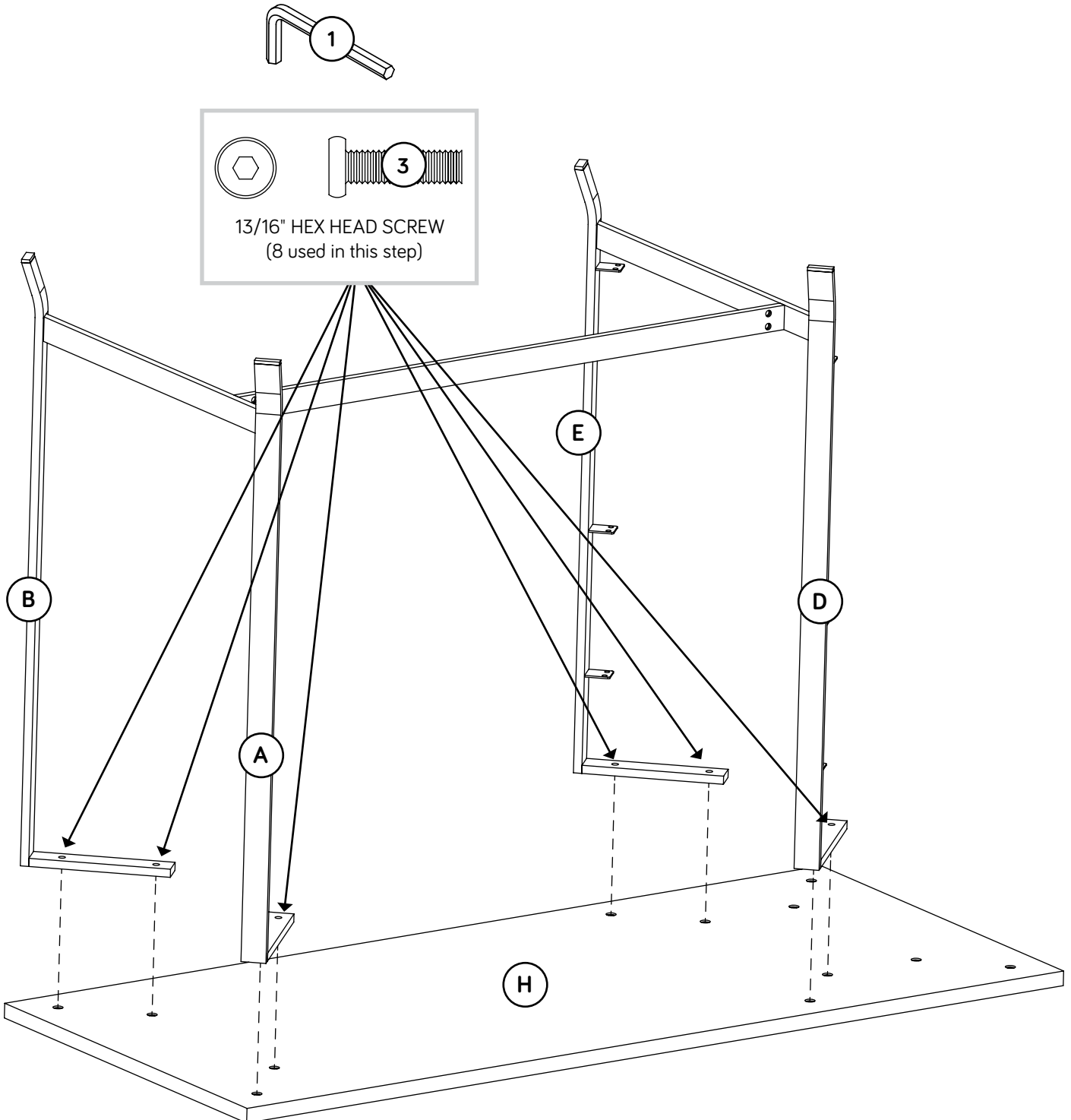


# Step 4

- Fasten the LEGS (A, B, D, and E) to the TOP (H). Tighten eight 13/16" HEX HEAD SCREWS (3) using the L-WRENCH (1).
- NOTE:** You should start each SCREW a few turns before completely tightening any of them.



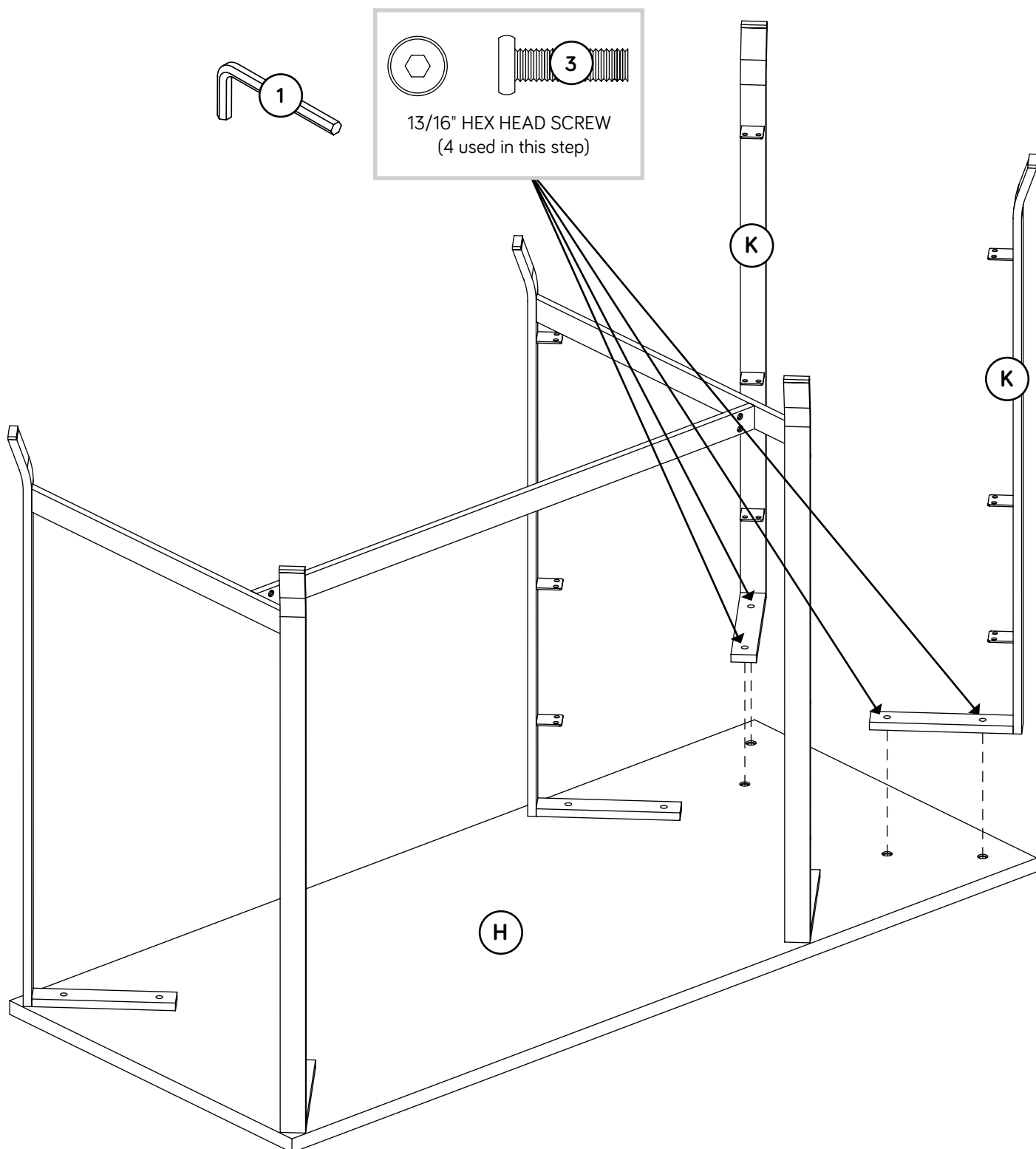
Now might be a good time to refresh your drink.



# Step 5

Fasten the RIGHT LEGS (K) to the TOP (H). Tighten four 13/16" HEX HEAD SCREWS (3) using the L-WRENCH (1).

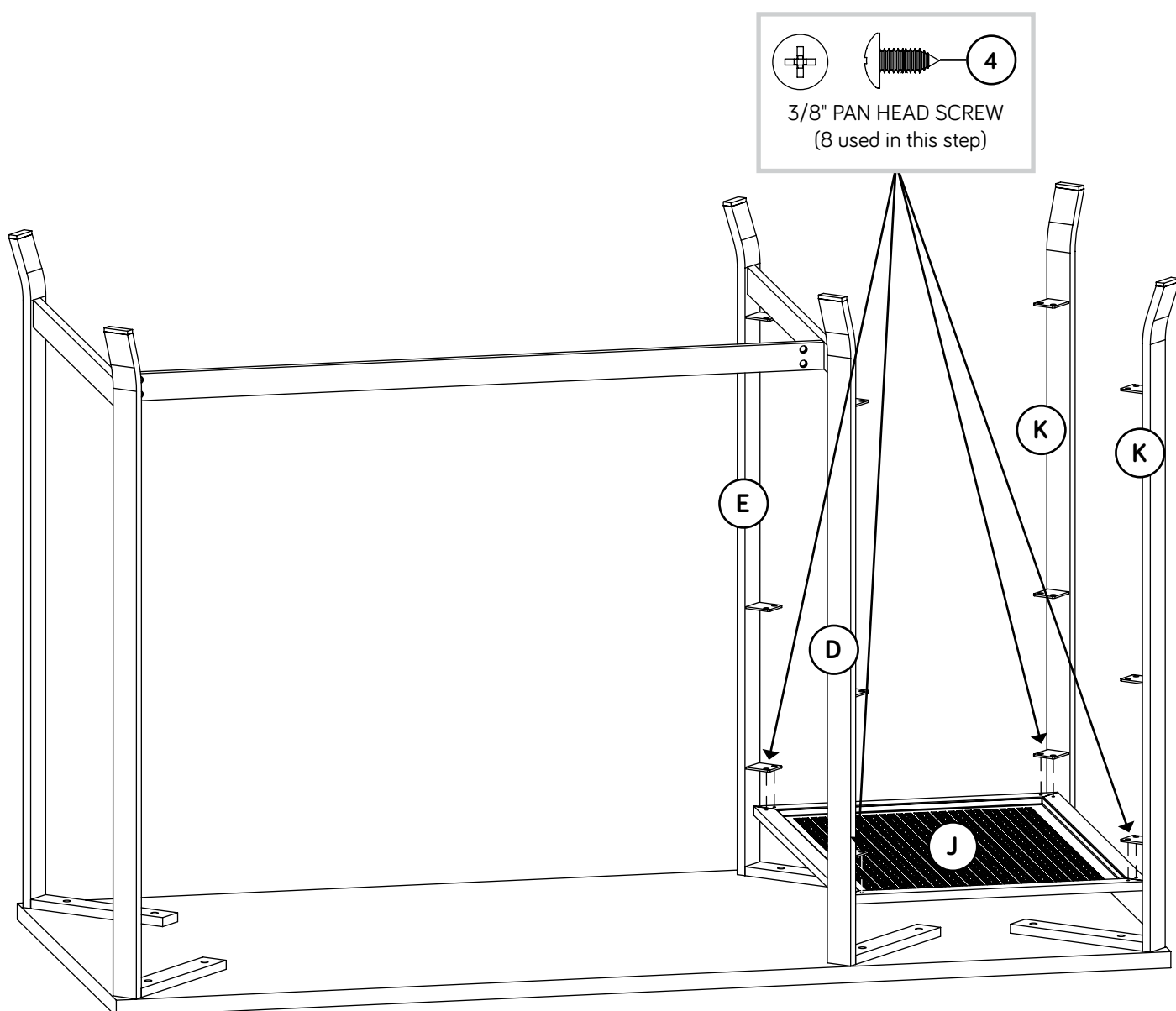
**NOTE:** You should start each SCREW a few turns before completely tightening any of them.





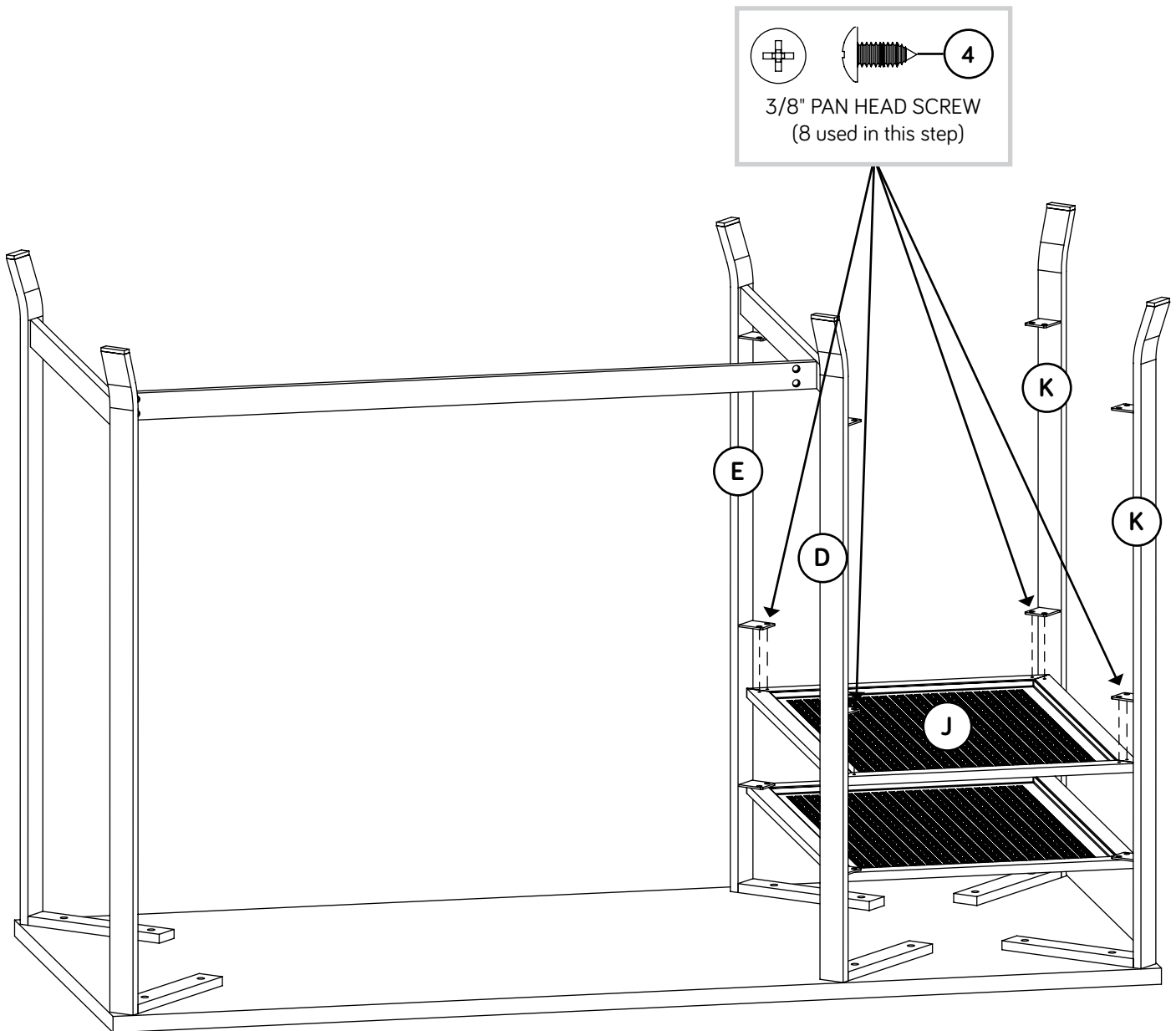
## Step 6

- Fasten a SHELF (J) to the LEGS (D, E, and K). Use eight 3/8" PAN HEAD SCREWS (4).
- NOTE:** You should start each SCREW a few turns before completely tightening any of them.



# Step 7

- Fasten a SHELF (J) to the LEGS (D, E, and K). Use eight 3/8" PAN HEAD SCREWS (4).
- NOTE:** You should start each SCREW a few turns before completely tightening any of them.

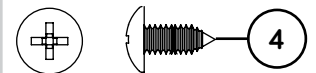


# Step 8

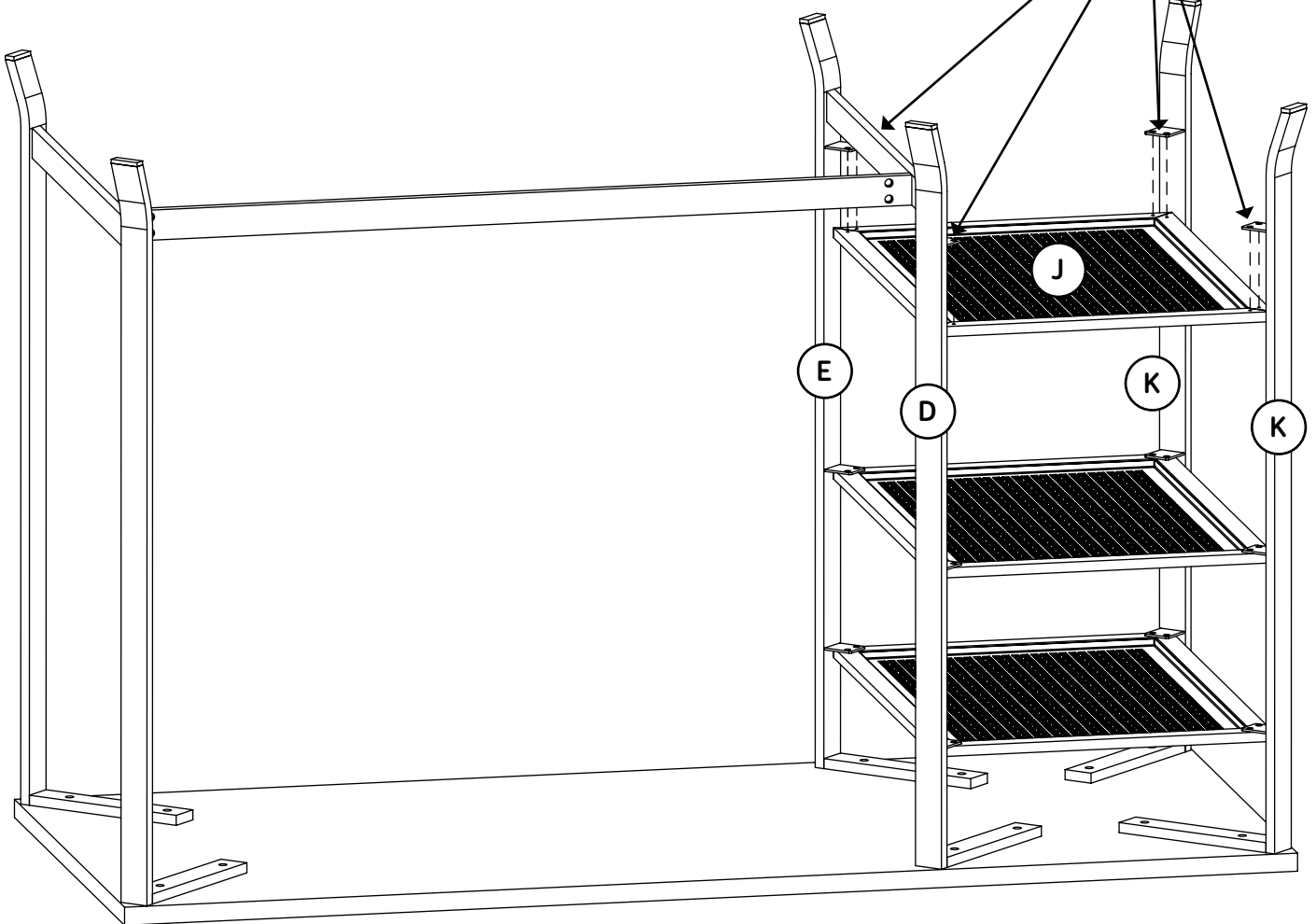
- Fasten the remaining SHELF (J) to the LEGS (D, E, and K). Use eight 3/8" PAN HEAD SCREWS (4).
- NOTE:** You should start each SCREW a few turns before completely tightening any of them.



If you're doing this to help a friend, don't leave without a bite.

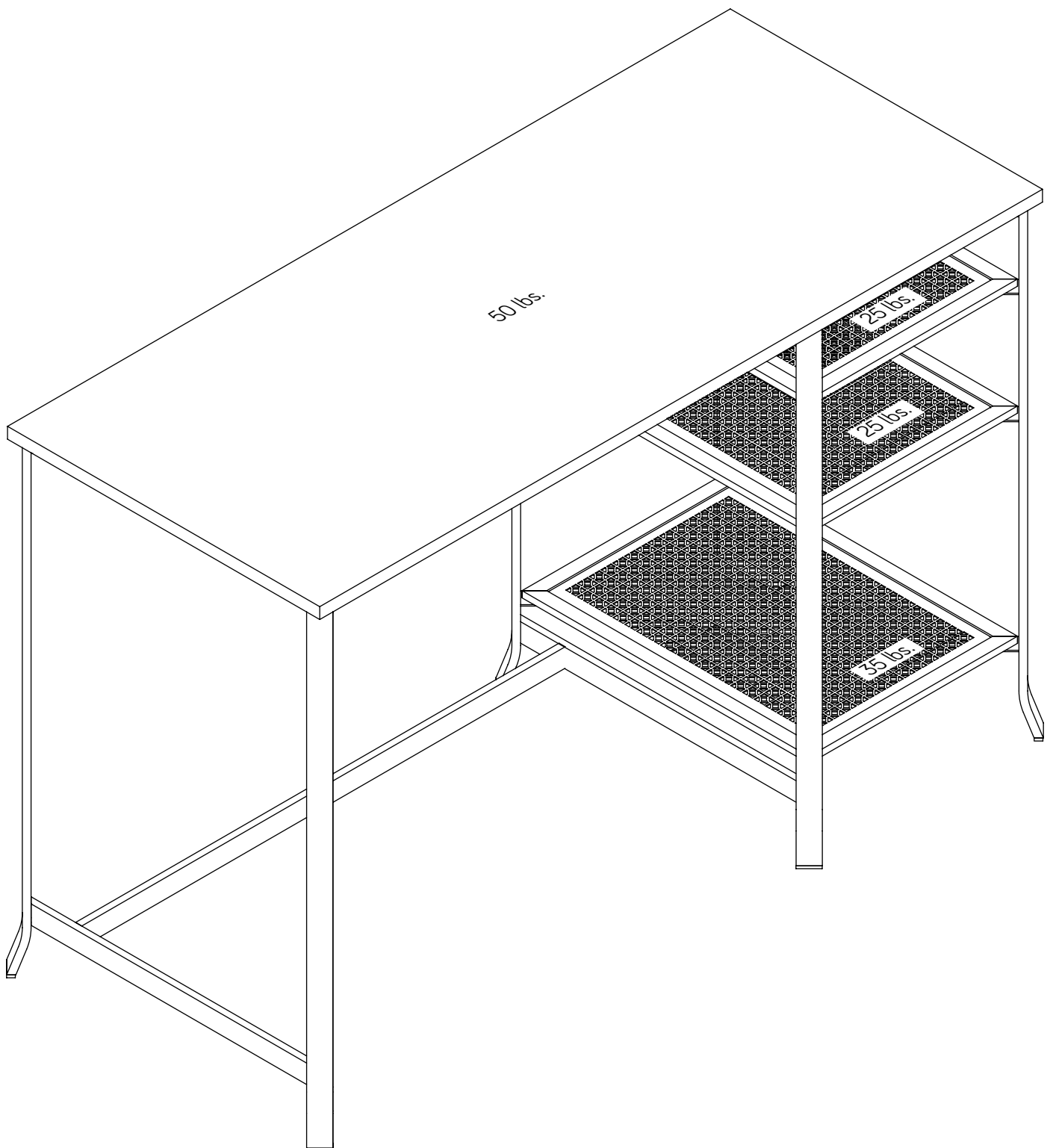


3/8" PAN HEAD SCREW  
(8 used in this step)



## Step 9

- ✦ Carefully stand your unit upright.
- ✦ **NOTE:** Please read the back pages of the instruction booklet for important safety information.
- ✦ This completes assembly. Clean with a damp cloth. Wipe dry.



**⚠ WARNING**

Please use your furniture correctly and safely. Improper use can cause safety hazards, or damage to your furniture or household items. ***Carefully read the following chart.***

Look out for:	What can happen:	How to avoid the problem:
<ul style="list-style-type: none"><li>• Overloaded shelves or drawers.</li><li>• Improper loading can cause the product to be top-heavy.</li></ul>	<ul style="list-style-type: none"><li>• Risk of injury.</li><li>• Top-heavy furniture can tip over.</li><li>• Overloaded shelves and drawers can break.</li></ul>	<ul style="list-style-type: none"><li>• Never exceed the weight limits shown in the instructions.</li><li>• Work from bottom to top when loading shelves and drawers. Place the heavier items on the lower shelves or in lower drawers.</li></ul>
<ul style="list-style-type: none"><li>• Improperly moving furniture that is not designed and equipped with casters.</li></ul>	<ul style="list-style-type: none"><li>• Furniture can tip over or break if improperly moved.</li><li>• Physical injury. Furniture can be very heavy.</li><li>• Breakage of tops - particularly with double pedestal furniture (drawers at both ends).</li></ul>	<ul style="list-style-type: none"><li>• Unload shelves and drawers from top to bottom before moving the unit.</li><li>• Do not push furniture, especially on a carpeted floor. Have a friend help you lift the item and set it in place.</li><li>• Provide support to the center section of the top when lifting the furniture.</li></ul>
<ul style="list-style-type: none"><li>• Placing TVs on furniture items that are not designed to support a television is hazardous.</li></ul>	<ul style="list-style-type: none"><li>• Risk of injury or death. TVs can be very heavy. Plus the weight and location of the picture tube tends to make TVs unbalanced and prone to tipping forward.</li></ul>	<ul style="list-style-type: none"><li>• This product is not designed to support a television.</li></ul>