

You could totally **write**
a **novel** on this.

Trestle Desk

5410421 Cinnamon Cherry

5417061 Soft White

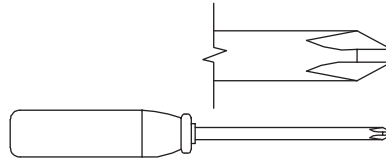
NOTE: THIS INSTRUCTION
BOOKLET CONTAINS **IMPORTANT**
SAFETY INFORMATION.

PLEASE READ AND KEEP FOR
FUTURE REFERENCE.

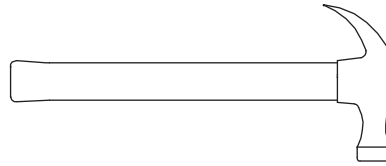
Table of Contents

Assembly Tools Required

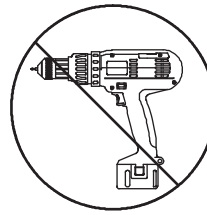
Part Identification	3
Hardware Identification	4
Assembly Steps	5-14
Français	15-17
Español	18-20
Safety	21-22
Warranty	23



No. 2 Phillips Screwdriver
Tip Shown Actual Size



Hammer
Not actual size 😊



Skip the power trip.
This time.

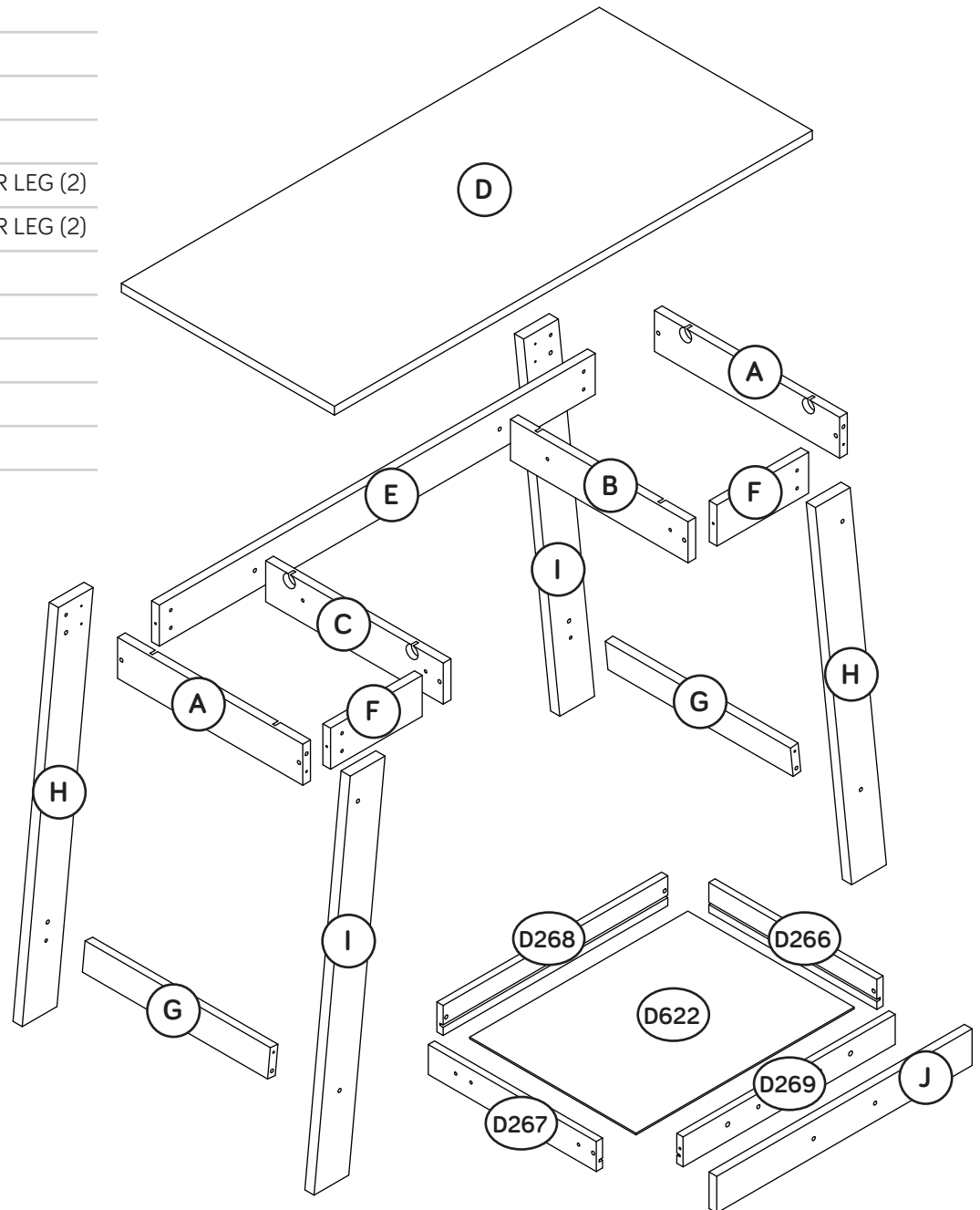
Part Identification

Now you know
our ABCs.



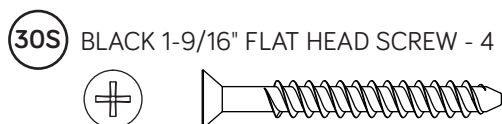
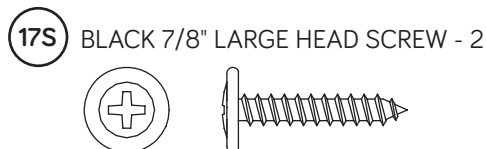
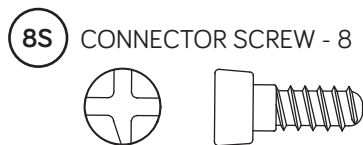
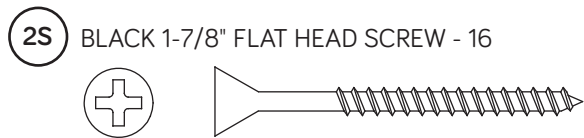
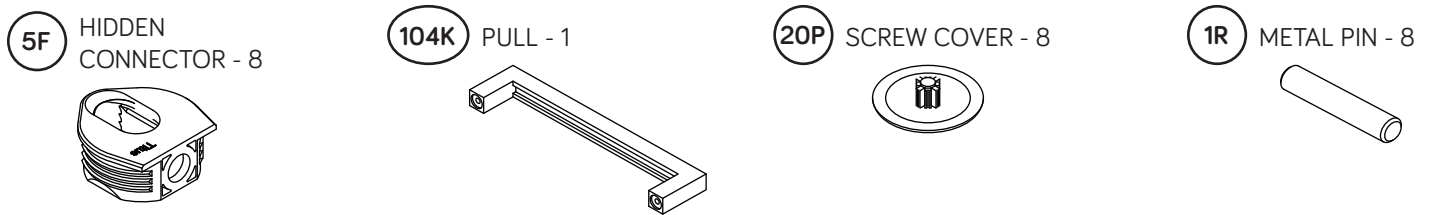
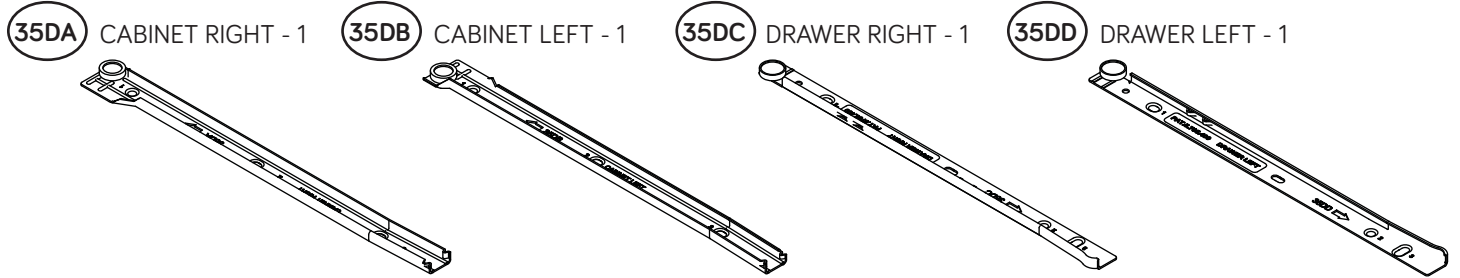
While not all parts are labeled, some of the parts will have a label or an inked letter on the edge to help distinguish similar parts from each other. Use this part identification to help identify similar parts.

A	END (2)
B	RIGHT UPRIGHT (1)
C	LEFT UPRIGHT (1)
D	TOP (1)
E	BACK (1)
F	FRONT (2)
G	STRETCHER (2)
H	RIGHT FRONT/LEFT REAR LEG (2)
I	LEFT FRONT/RIGHT REAR LEG (2)
J	DRAWER FRONT (1)
D266	RIGHT DRAWER SIDE (1)
D267	LEFT DRAWER SIDE (1)
D268	DRAWER BACK (1)
D269	DRAWER BOX FRONT (1)
D622	DRAWER BOTTOM (1)



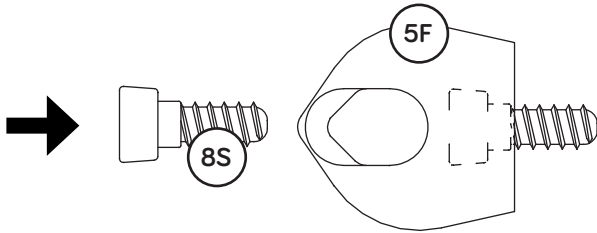
Hardware Identification

↑ Screws are shown actual size. You may receive extra hardware with your unit.



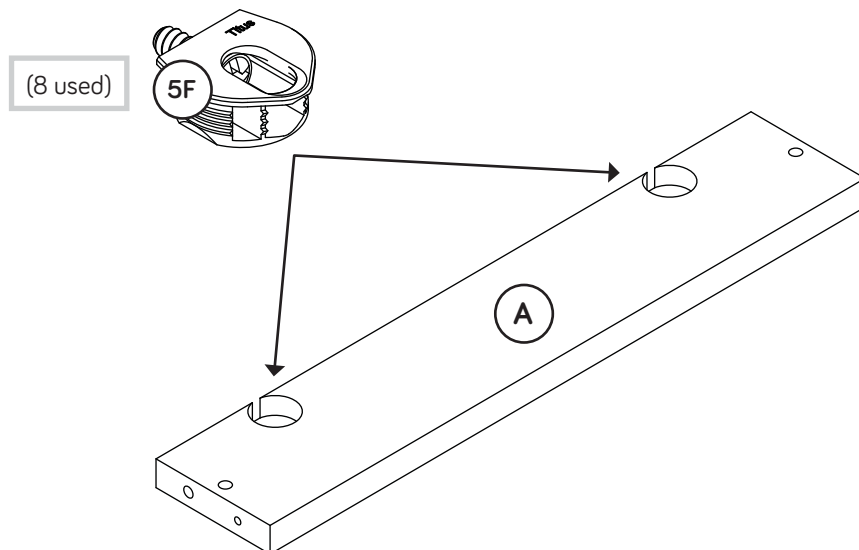
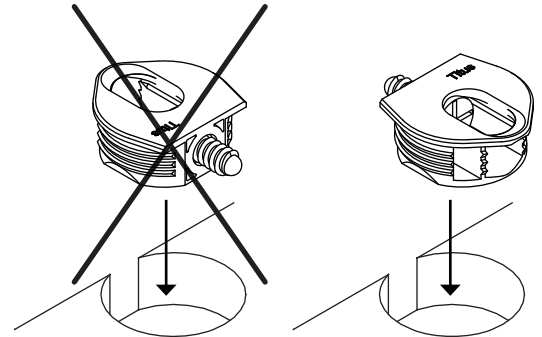
Step 1

- ✦ Insert a CONNECTOR SCREW (8S) into each HIDDEN CONNECTOR (5F).



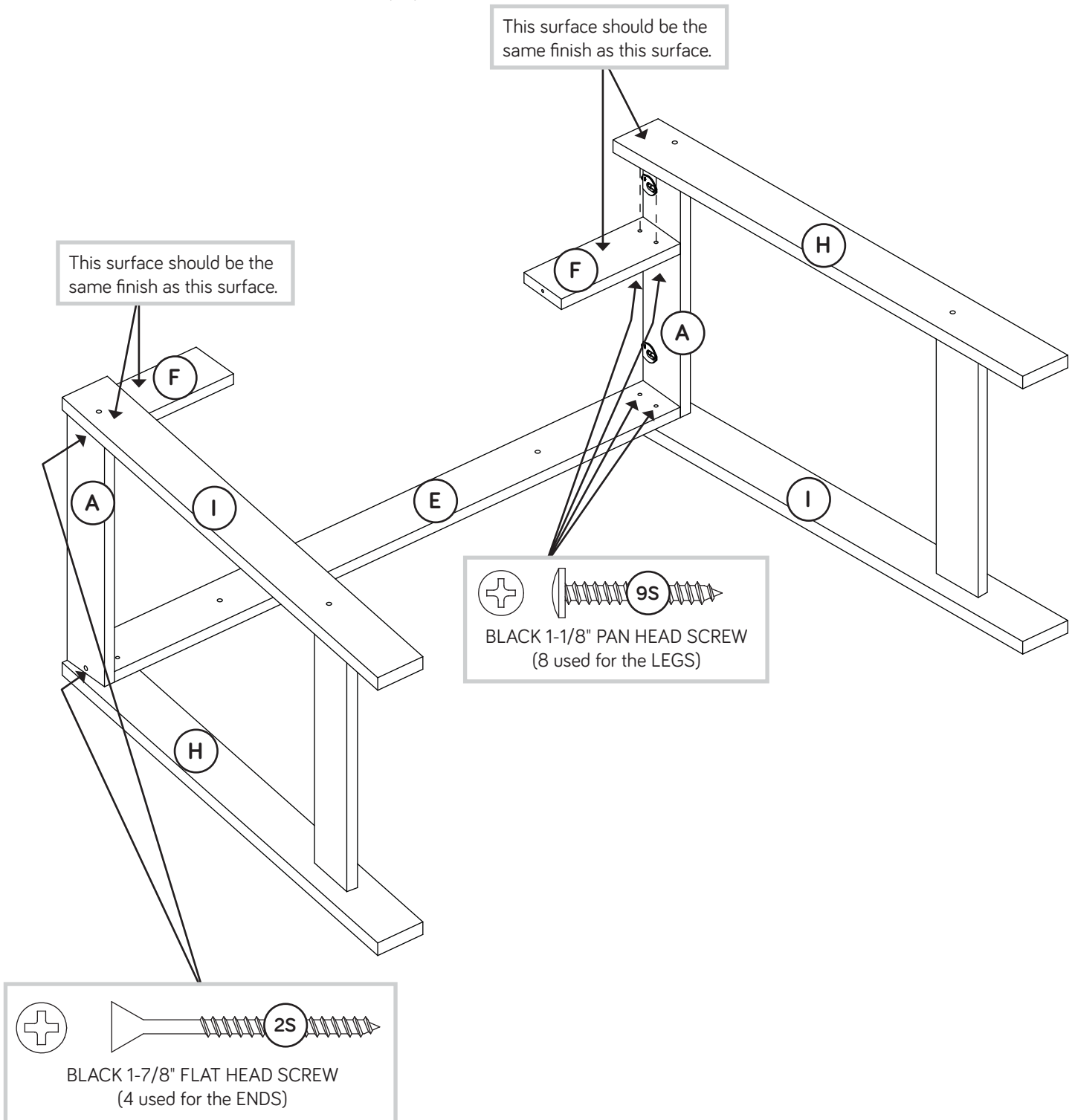
Step 2

- ✦ Assemble your unit on a carpeted floor or on the empty carton to avoid scratching your unit or the floor.
- ✦ Use your hammer to tap two HIDDEN CONNECTORS (5F) with SCREWS into one of the ENDS (A).
- ✦ Repeat this step for the other END (A), RIGHT UPRIGHT (B), and LEFT UPRIGHT (C).



Step 4

- Fasten the BACK (E) and FRONTS (F) to the LEGS (H and I). Use eight BLACK 1-1/8" PAN HEAD SCREWS (9S).
- Fasten the ENDS (A) to the BACK (E) and FRONTS (F). Use four BLACK 1-7/8" FLAT HEAD SCREWS (2S).

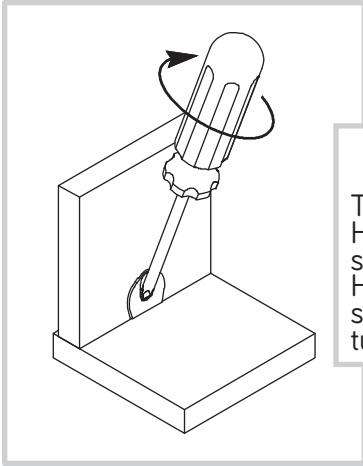


Step 5

Fasten the ENDS (A) to the TOP (D). Tighten four HIDDEN CONNECTORS.

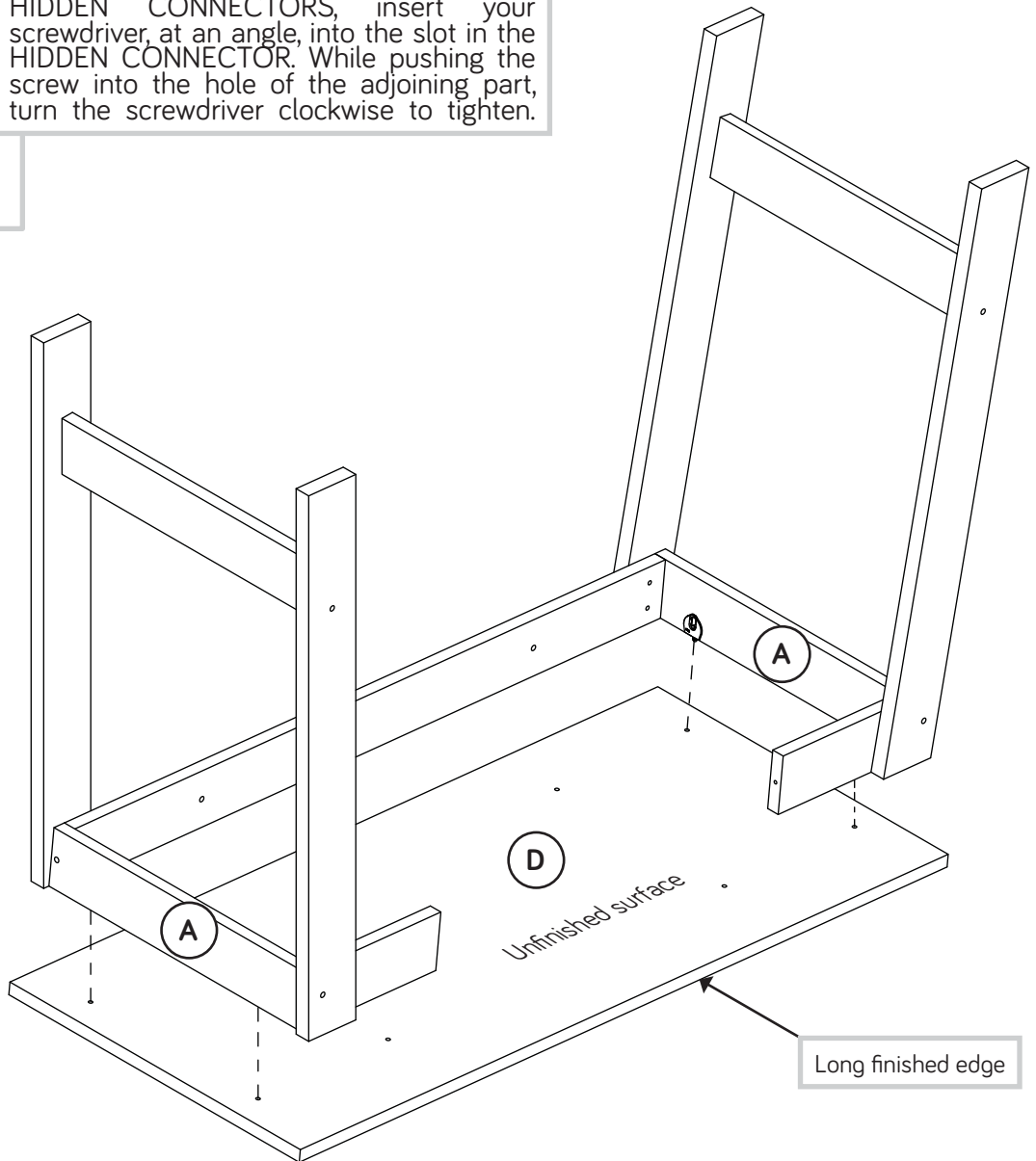


Hey! It's starting to look like something!



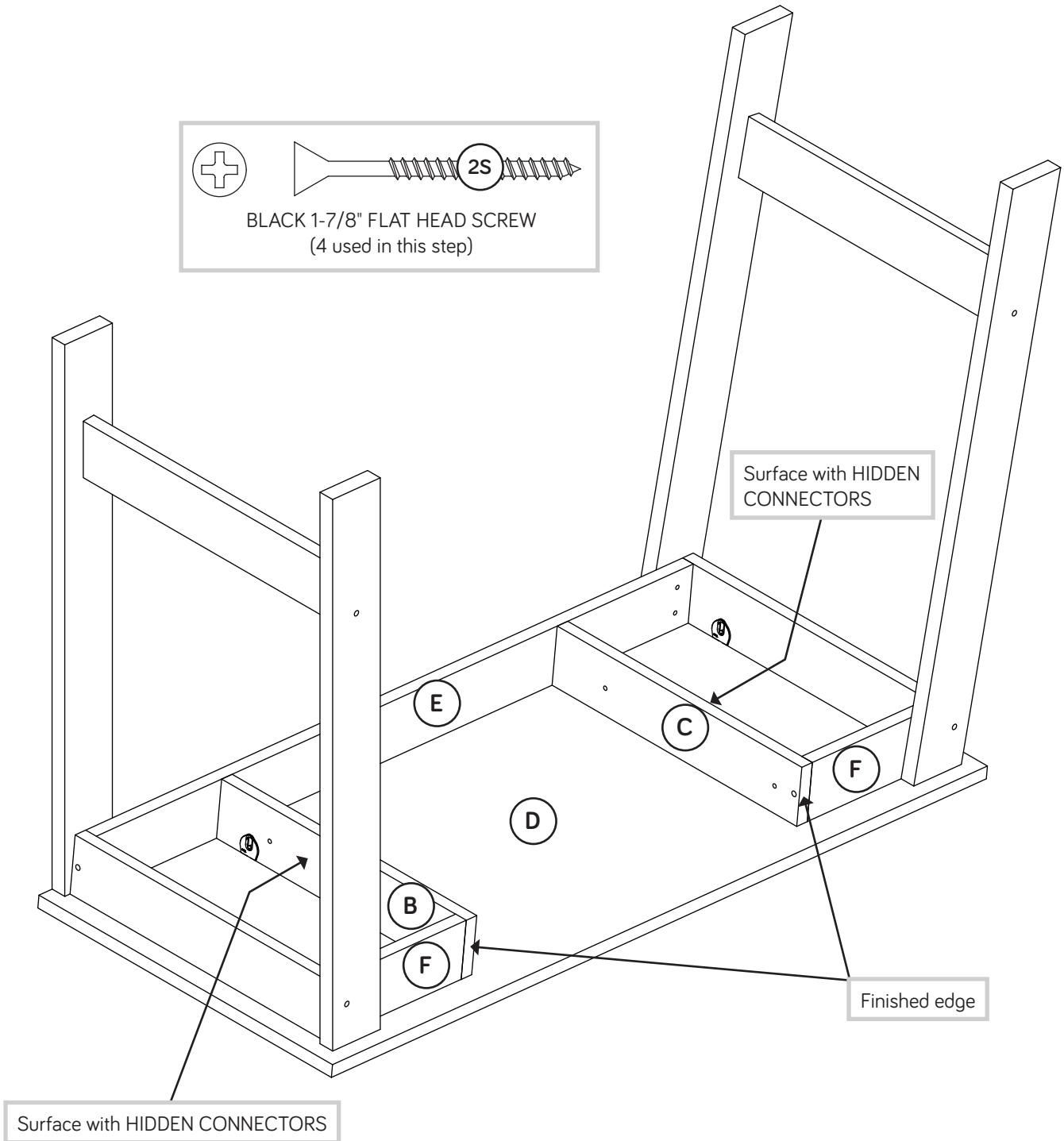
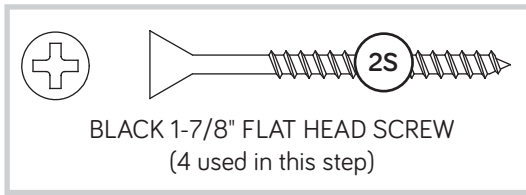
How to use the HIDDEN CONNECTOR

To fasten two parts together using the HIDDEN CONNECTORS, insert your screwdriver, at an angle, into the slot in the HIDDEN CONNECTOR. While pushing the screw into the hole of the adjoining part, turn the screwdriver clockwise to tighten.



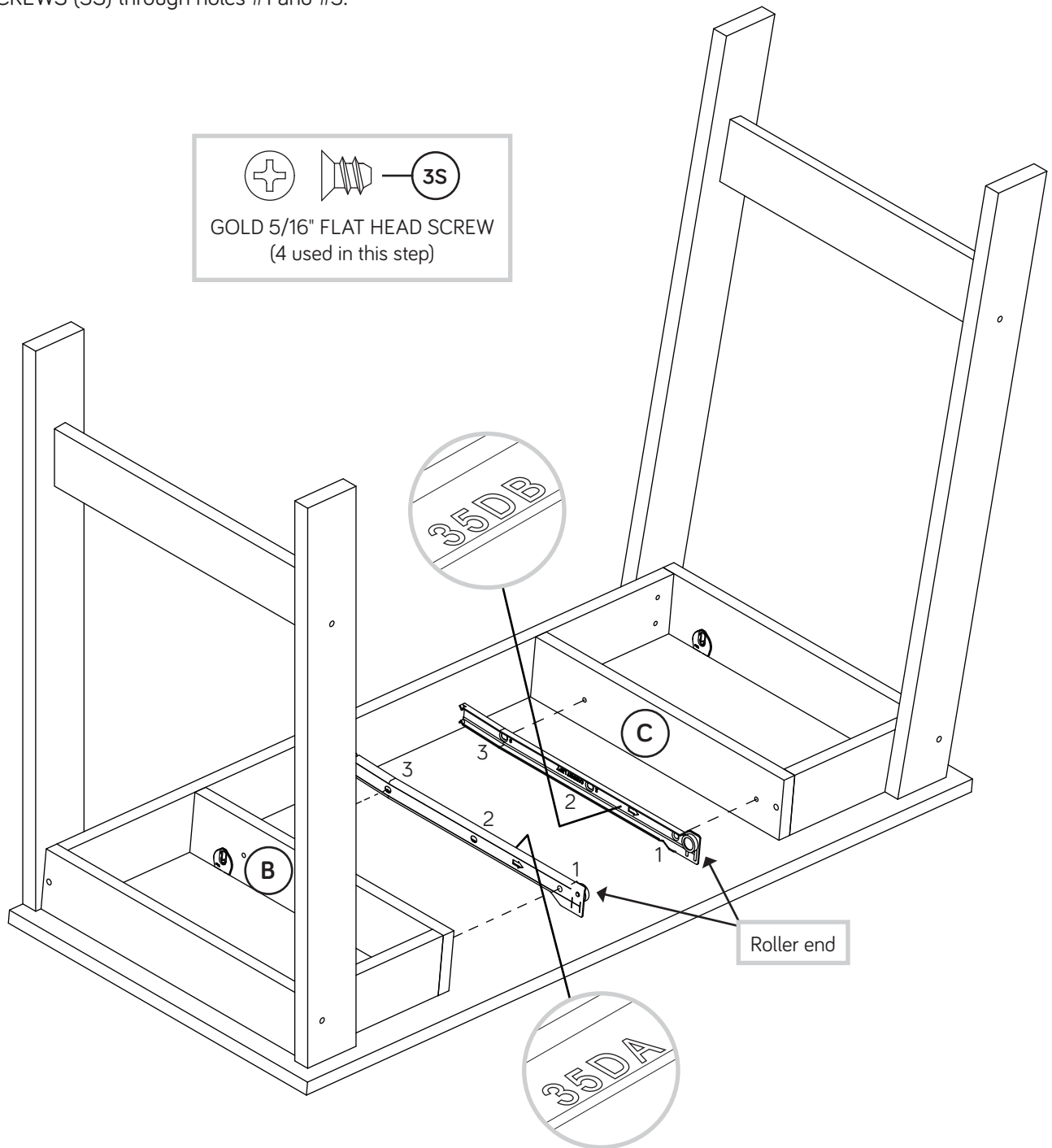
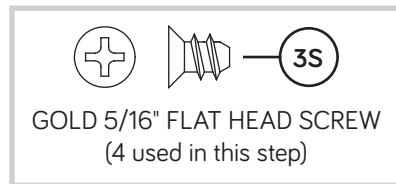
Step 6

- Fasten the UPRIGHTS (B and C) to the TOP (D). Tighten four HIDDEN CONNECTORS.
- Fasten the UPRIGHTS (B and C) to the BACK (E) and FRONTS (F). Use four BLACK 1-7/8" FLAT HEAD SCREWS (2S).



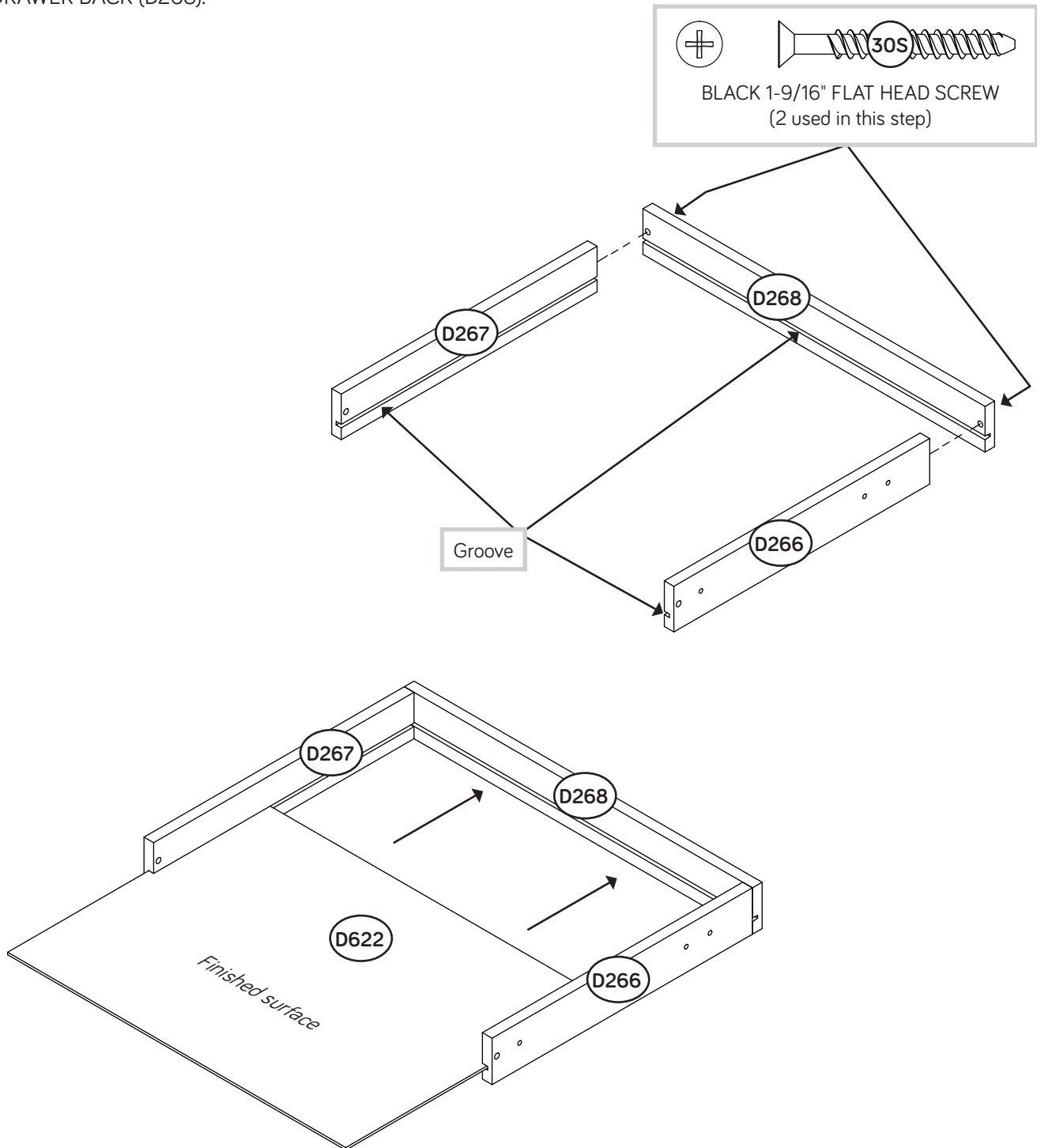
Step 7

- Fasten the CABINET RIGHT (35DA) to the RIGHT UPRIGHT (B) and the CABINET LEFT (35DB) to the LEFT UPRIGHT (C). Use four GOLD 5/16" FLAT HEAD SCREWS (3S) through holes #1 and #3.



Step 8

- Fasten the DRAWER BACK (D268) to the DRAWER SIDES (D266 and D267). Use two BLACK 1-9/16" FLAT HEAD SCREWS (30S).
- Slide the DRAWER BOTTOM (D622) into the grooves in the DRAWER SIDES (D266 and D267) and DRAWER BACK (D268).

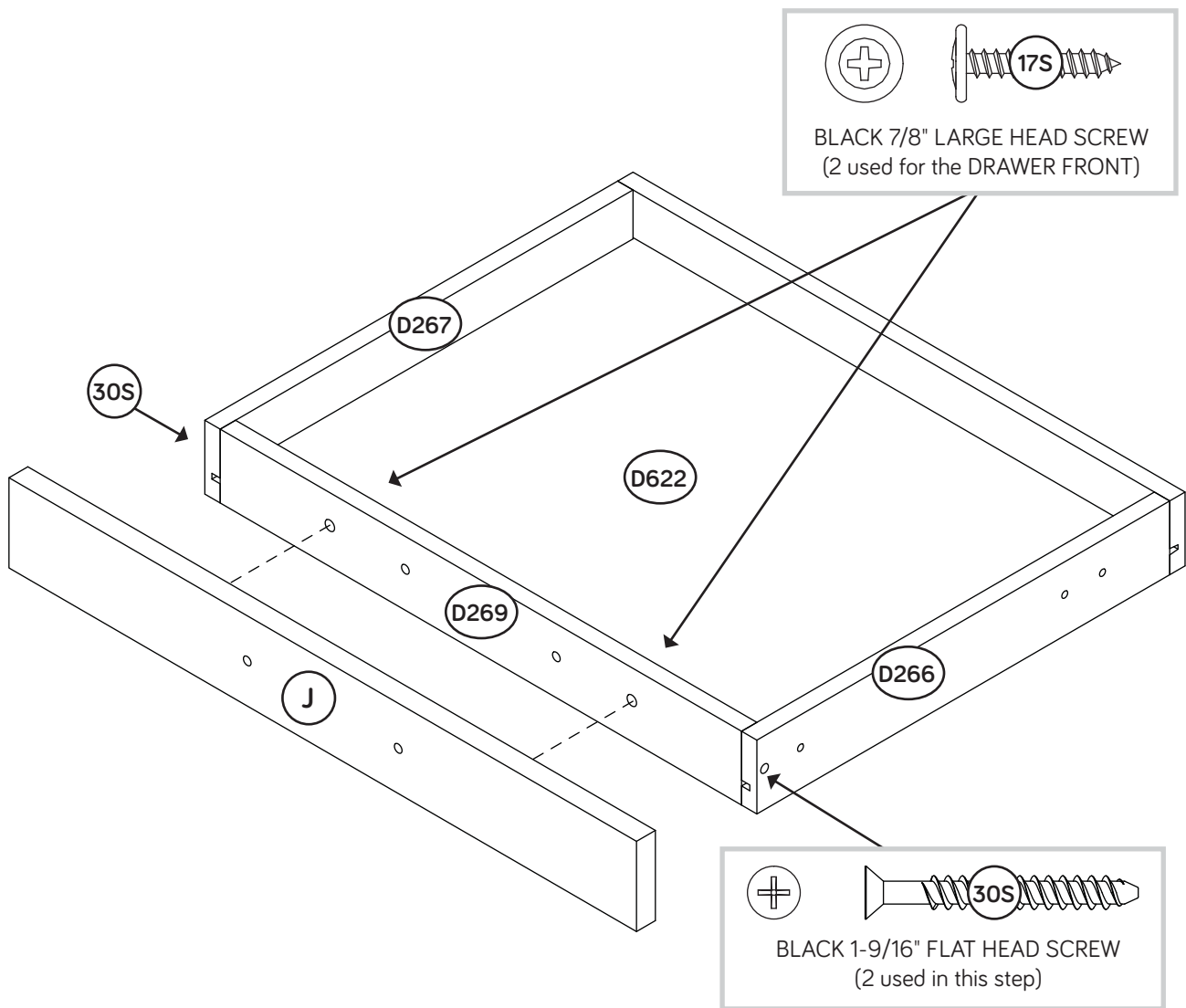


Step 9

Fasten the DRAWER BOX FRONT (D269) to the DRAWER SIDES (D266 and D267). Use two BLACK 1-9/16" FLAT HEAD SCREWS (30S).

NOTE: Be sure the DRAWER BOTTOM (D622) inserts into the groove of the DRAWER BOX FRONT (D269).

Fasten the DRAWER FRONT (J) to the DRAWER BOX FRONT (D269). Use two BLACK 7/8" LARGE HEAD SCREWS (17S).

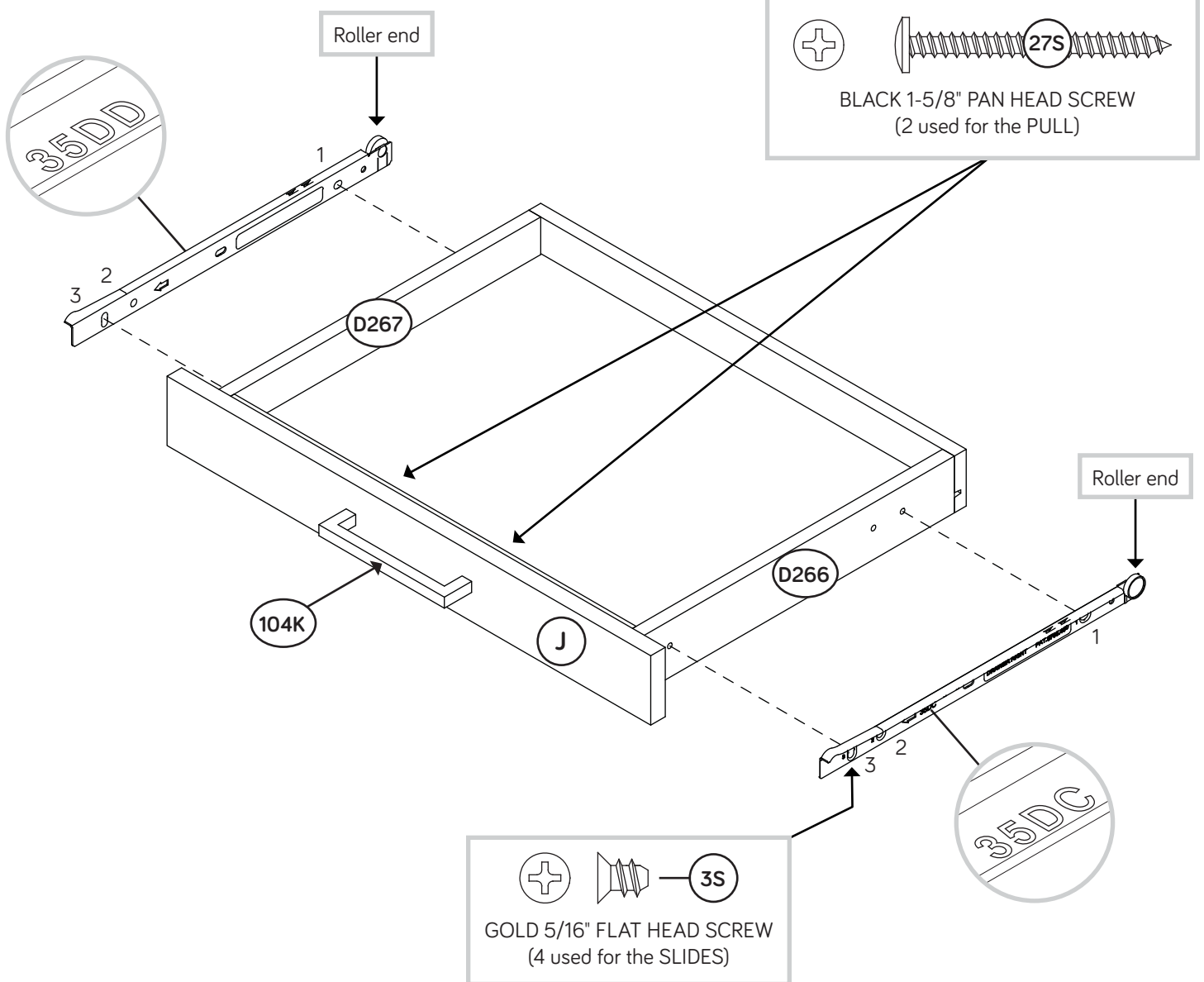


Step 10

- Fasten the DRAWER RIGHT (35DC) and DRAWER LEFT (35DD) to the DRAWER SIDES (D266 and D267). Use four GOLD 5/16" FLAT HEAD SCREWS (3S) through holes #1 and #3.
- Fasten the PULL (104K) to the DRAWER FRONT (J). Use two BLACK 1-5/8" PAN HEAD SCREWS (27S) through the DRAWER BOX FRONT, through the DRAWER FRONT, and into the PULL.

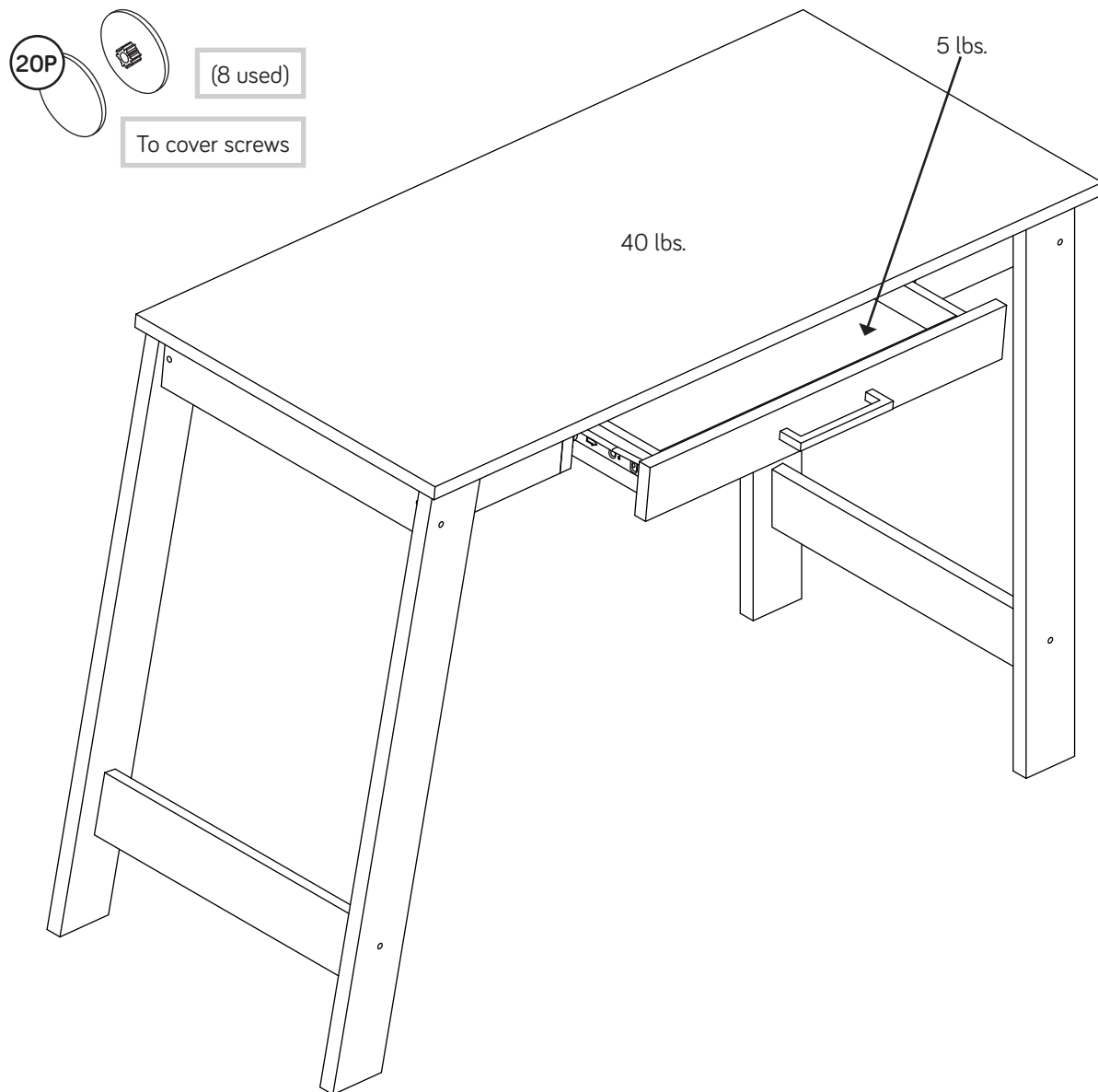
Zzz

Almost time to celebrate! With a nap.



Step 11

- ✚ Carefully stand your unit upright.
- ✚ To insert the drawer into your unit, tip the front of the drawer down and drop the rollers on the drawer behind the rollers on the unit. Lift the front of the drawer up and slide it into the unit.
- ✚ Center a SCREW COVER (20P) over the head of each visible SCREW and press firmly.
- ✚ NOTE: Please read the back pages of the instruction booklet for important safety information.
- ✚ This completes assembly. Clean with your favorite furniture polish or a damp cloth. Wipe dry.



⚠ WARNING

Please use your furniture correctly and safely. Improper use can cause safety hazards, or damage to your furniture or household items. *Carefully read the following chart.*

Look out for:	What can happen:	How to avoid the problem:
<ul style="list-style-type: none">• Overloaded shelves and drawers.• Improper loading can cause the product to be top-heavy.	<ul style="list-style-type: none">• Risk of injury.• Top-heavy furniture can tip over.• Overloaded shelves and drawers can break.	<ul style="list-style-type: none">• Never exceed the weight limits shown in the instructions.• Work from bottom to top when loading shelves and drawers. Place the heavier items on the lower shelves or in lower drawers.
<ul style="list-style-type: none">• Improperly moving furniture that is not designed and equipped with casters.	<ul style="list-style-type: none">• Furniture can tip over or break if improperly moved.• Physical injury. Furniture can be very heavy.• Breakage of tops - particularly with double pedestal furniture (drawers at both ends).	<ul style="list-style-type: none">• Unload shelves and drawers from top to bottom before moving the unit.• Do not push furniture, especially on a carpeted floor. Have a friend help you lift the item and set it in place.• Provide support to the center section of the top when lifting the furniture.
<ul style="list-style-type: none">• Placing TVs on furniture items that are not designed to support a television is hazardous.	<ul style="list-style-type: none">• Risk of injury or death. TVs can be very heavy. Plus the weight and location of the picture tube tends to make TVs unbalanced and prone to tipping forward.	<ul style="list-style-type: none">• This product is not designed to support a television.