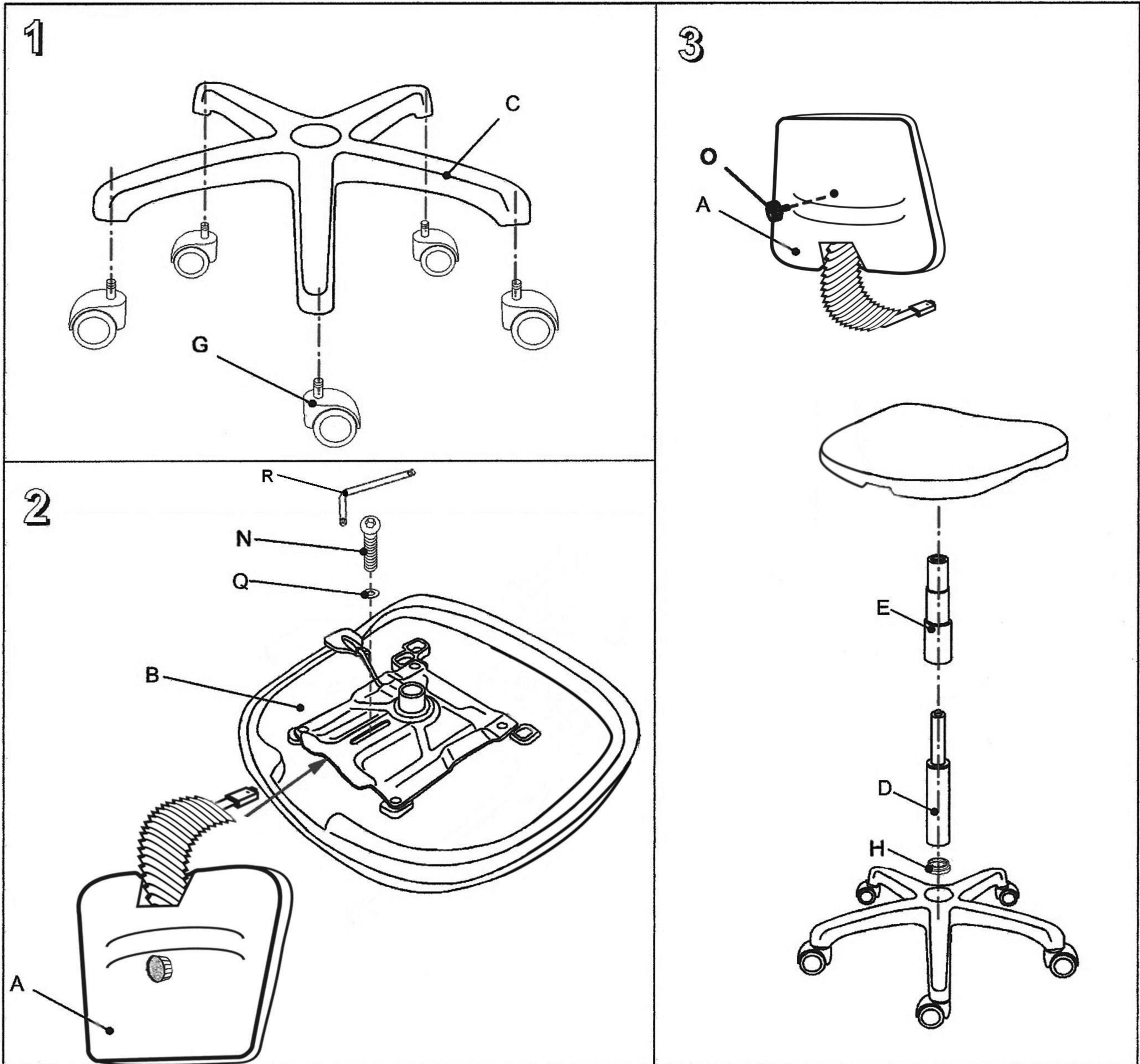


SALES & SERVICE  
 PHONE: 01234 328804  
 FAX: 01234 342446  
 E-MAIL: customerservice@teknikoffice.co.uk



# BLASTER MEDIUM



A	B	C	D	E	
x1	x1	x1	x1	x1	
G	H	N	O	Q	R
x5	x1	x2	x1	x1	x1

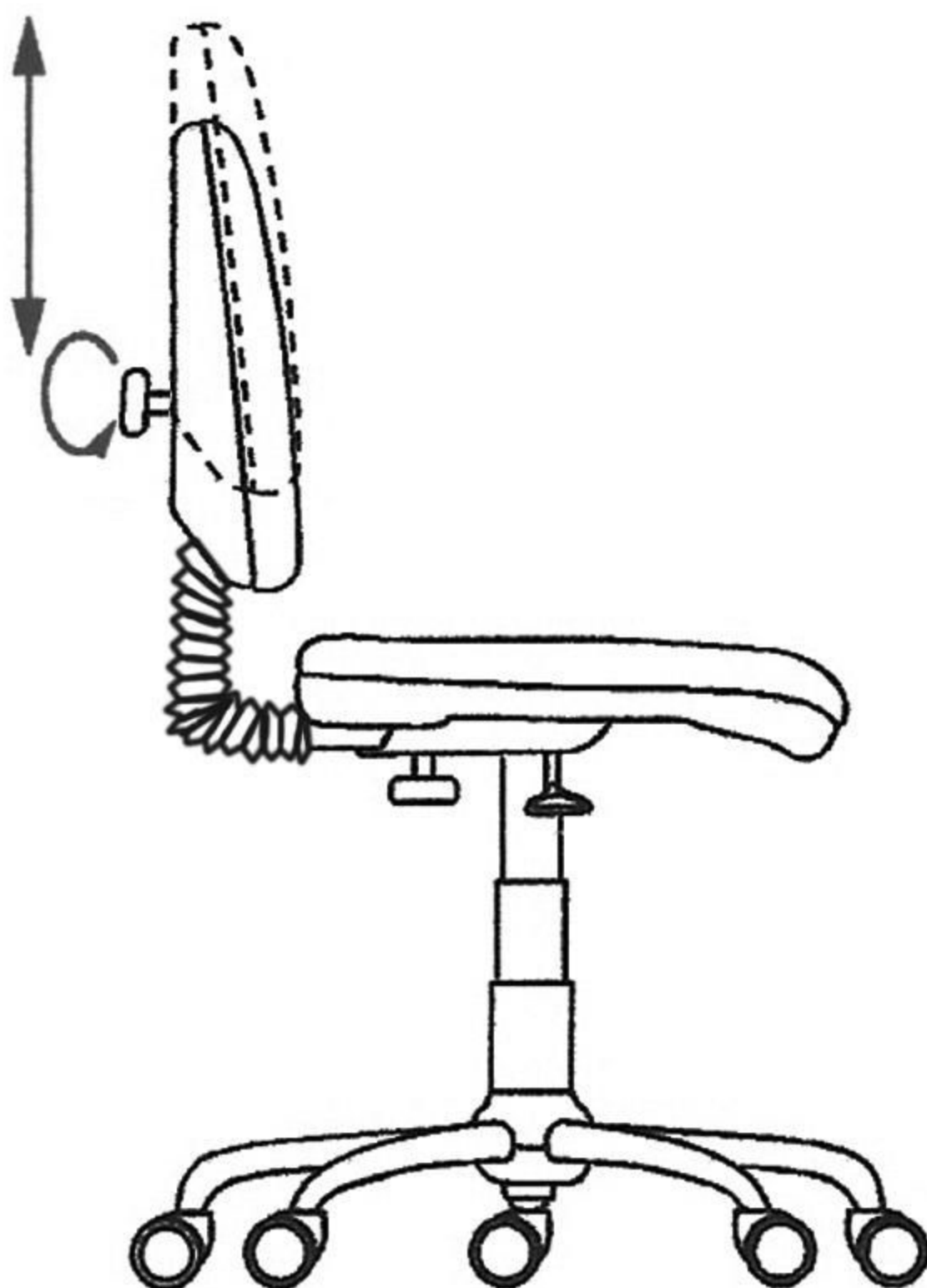
This part is attached to the bottom of 'E'

To ensure chair is 'tamper resistant' use the second 'N' bolt in place of the 'O' hand wheel

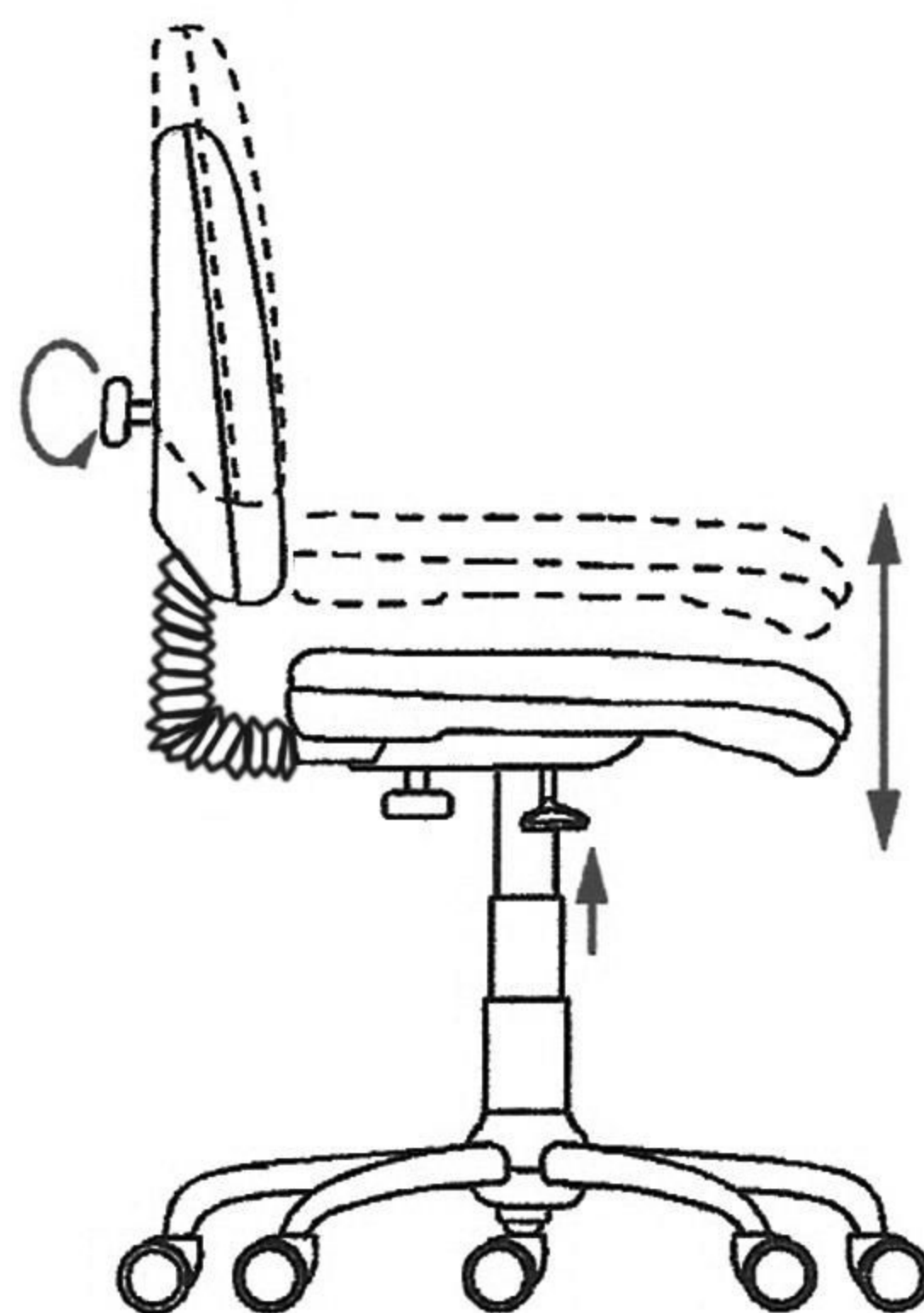
Please do not throw away the packaging until you are completely satisfied with the chair.  
 All returns must be made in original packaging.

**SALES & SERVICE**  
**PHONE: 01234 328804**  
**FAX: 01234 342446**  
**E-MAIL: customerservice@technikoffice.co.uk**

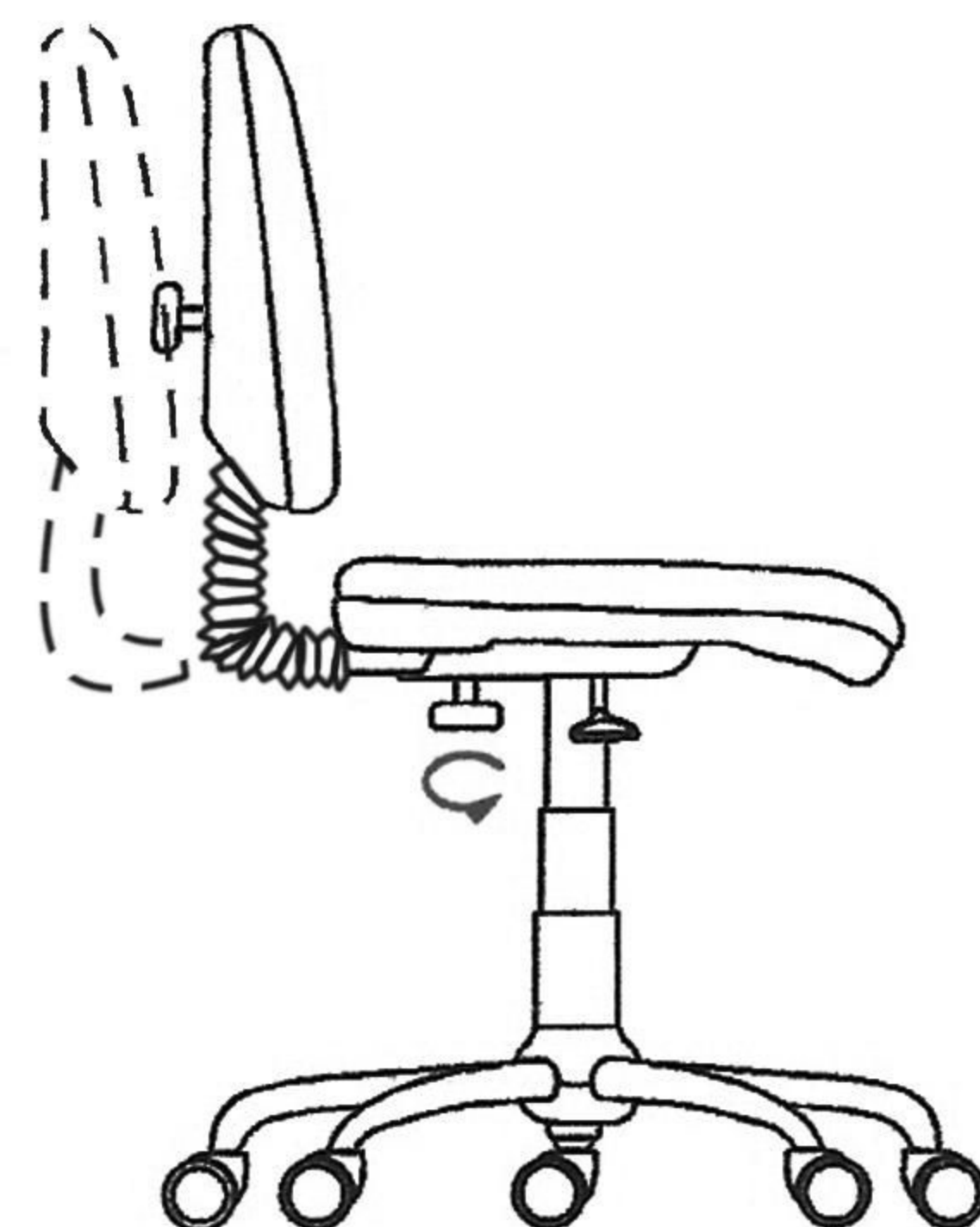
## **BLASTER MEDIUM**



**Altezza schienale**  
**Höhenverstellung der Rücken**  
**Réglage hauteur du dossier**  
**Height adjustment of the back**



**Altezza seduta**  
**Höhenverstellung dem Sitz**  
**Réglage hauteur du siège**  
**Height adjustment of the seat**



**Regolazione schienale**  
**Rücken vor und zurück**  
**Réglage du dossier d'avant en arrière**  
**Back and forth adjustment of the back**