

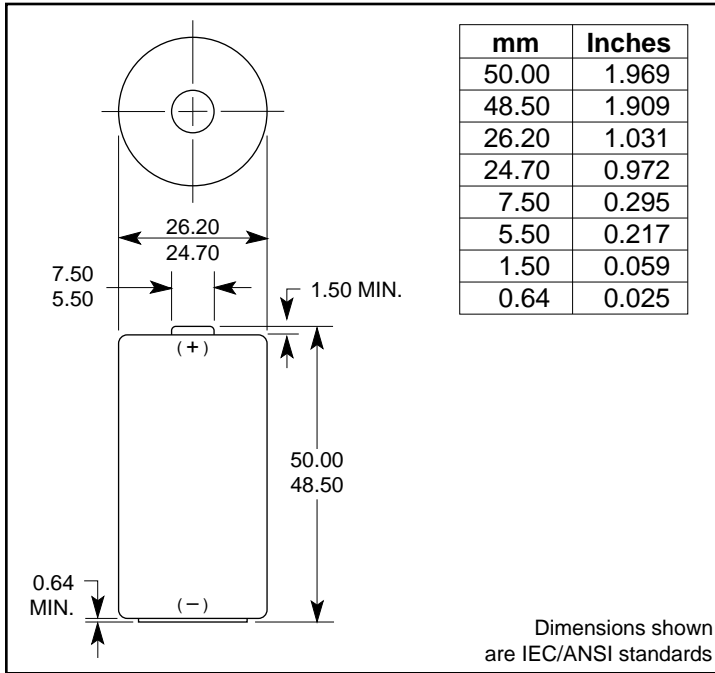
DURACELL®

MN1400

Size: C

Zn/MnO₂

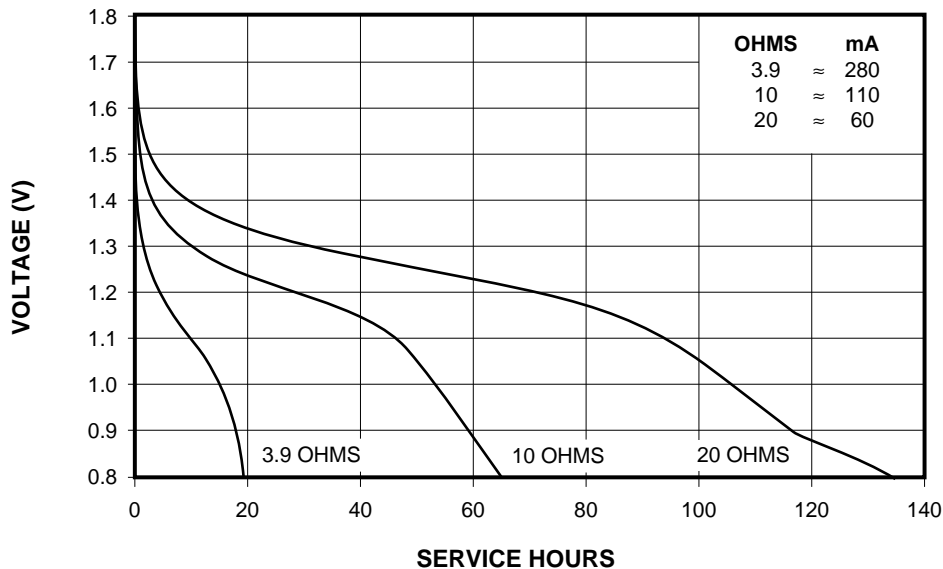
Alkaline-Manganese Dioxide Battery



SPECIFICATIONS

Nominal Voltage:	1.5 V
Rated Capacity:	7,800 mAh at 20 Ω to 0.8 V at 21°C (70°F)
Nominal Weight:	65.0 g (2.29 oz.)
Nominal Volume:	26.9 cm ³ (1.64 in. ³)
Terminals:	Flat
Operating Temp. Range:	-20°C to 54°C (-4°F to 130°F)
NEDA:	14 A
ANSI:	14 A
IEC:	LR14
Military:	BA-3042/U

TYPICAL DISCHARGE CHARACTERISTICS AT 21°C (70°F)



DURACELL INC.

New Products and Technology Division
Berkshire Corporate Park
Bethel, CT 06801 U.S.A.
Telephone: Toll-free 1-800-431-2656
Outside North America: 203-791-3274
Facsimile: 203-791-3273
Internet: www.duracellnpt.com

This data sheet is under document control and is therefore subject to change. Contact Duracell for the latest information.

