



- Electrical, height-adjustable mobile system
- Soft start-stop function
- Anti-collision system
- VESA 200x200 up to 800x600 display interface
- VESA 100 interface for PC mounting
- Cable management
- LINAK® Lifting column

moTion mobile stand

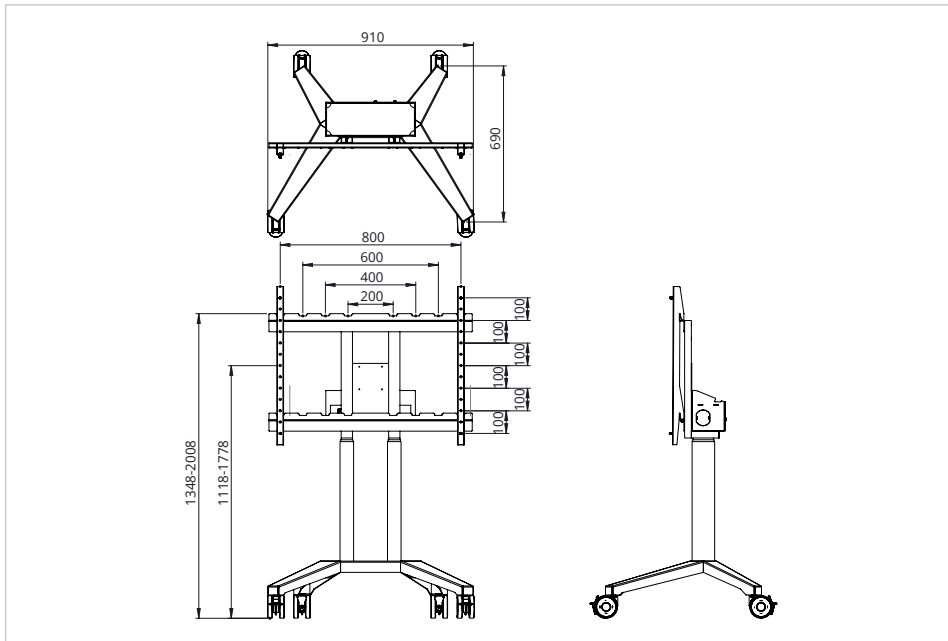
MS-12S

- Designed for ergonomic and flexible use of Legamaster e-Screen touch monitors
- The stand comes largely preassembled and is very easy to mount (<10 minutes), while remaining easy to transport
- The built-in anti-collision system offers protection for persons and objects that might find themselves within the range of the moving screen
- High quality LINAK® lifting columns makes height adjustability fast and effortless
- The small footprint of the stand offers maximum freedom of movement in front of your screen
- Contemporary design that fits perfectly in any modern office space
- High quality castors make it easy to move even our larger size touch monitors
- Optional accessory shelves for e.g. videoconferencing cameras and laptops are available. These come with a VESA 100 mount on the bottomside for small form factor PC's or wireless screensharing hardware
- The cable compartment hides messy cables and multi sockets resulting in a neat and tidy setup

Art.No. **7-811111**

GTIN **8713797094610**





Specifications

Height adjustable	Yes
Total height (min/max)	1470 / 2130 mm
Mounting interface	VESA 200x200 up to VESA 800x600
Mounting interface accessories	VESA 100x100
Power / Sleep / Standby	200 / - / 0.1 W
Package contents	Mounting instruction, Mounting material, Control pad
Height adjustable range	660 mm
Screen height min. (center vesa mount)	1118 mm
Screen height max. (center vesa mount)	1778 mm
Maximum load height adjustable system	140.00 kg
Maximum screen weight	110.00 kg
Maximum screen size	98"
Cable compartment	Yes
Anti-collision	Yes
Product warranty	2 Years

Logistics

GTIN	8713797094610
Article number	7-811111
Customs tariff number	940399109000
Quantity	1 piece(s)
Packing dimensions	920 x 390 x 1160 mm
Weight (gross/net)	49.36 kg / 43.50 kg

Product overview

Article name	Article number	GTIN/EAN	Minimum order quantity
Legamaster moTion mobile stand MS-12S	7-811111	8713797094610	1
Legamaster moTion mobile stand fixed height	7-811431	8713797104821	1