

Fellowes

Let your
productivity flow



Eppa™
Dual Monitor Arm Kit

Dual Monitor Arm Kit

Features:

- Effortlessly upgrade your single Eppa arm with the dual conversion kit
- Enjoy seamless fluidity and effortless motion
- Finger touch gas-spring adjustment helping you to reduce eye, neck and back strain and work in comfort
- Independently tested to meet ergonomic requirements outlined in European Health and Safety Legislation: EN ISO 9241-5
- Increase your productivity with dual screen working - holds two screens between 1 - 8kg and 40" each
- Made from 57% recycled materials and 66% recyclable



Specification:

Code	9683601	9683801	9683701
Colour	Black: RAL 9017	White: RAL 9016	Silver: RAL 9023
Product Dimensions (H x W x D)	480 x 117 x 565 mm		
Product Weight	3.27 kg		
Inner Carton Dimensions (H x W x D)	114 x 508 x 375 mm		
Inner Carton Weight	4.48 kg		
Outer Carton Dimensions (H x W x D)	260 x 394 x 527 mm		
Outer Carton Weight	10.16 kg		
Dynamic Height Adjustability	282 mm		
Height Adjustment Range	133 - 415 mm		
Reach Range	67 - 537 mm		
Rotation	± 90° (180°)		
Pan	± 90° (180°)		
Tilt	+90° / -25° (115°)		
Arm Swivel	360°		
Tension Adjustment	Yes		
VESA	75 x 75 / 100 x 100		
Clamp: Desk Thickness	10 - 85 mm		
Grommet: Desk Thickness	10 - 85 mm		
Grommet: Diameter	8 - 82 mm		
Weight Capacity (kg)	1 - 8 kg per arm		
Maximum Monitor Size	40" (101.6 cm) diagonally / 99 (W) x 82.9 (H) cm		
Retail Barcode (UPC)	043859749355	043859749379	043859749362
Outer Carton Barcode (SCS)	50043859749350	50043859749374	50043859749367
Quantity per Outer Carton	2		
Country of Origin	China		
Warranty	5 years limited		

Environmental:

Product	Product Material Breakdown		Product Recycled Content		
	Weight (g)	Weight (%)	Pre-Consumer Recycled Content (g)	Post Consumer Recycled Content (g)	Total Recycled Content (%)
Aluminium	1171.60	35.9%	0	1171.60	100%
Steel	1803.29	55.2%	0	690.22	38.3%
Plastic	111.41	3.4%	0	0	0
Other	180.00	5.5%	0	0	0
Total	3266.30	100.0%	0	1861.82	57.0%

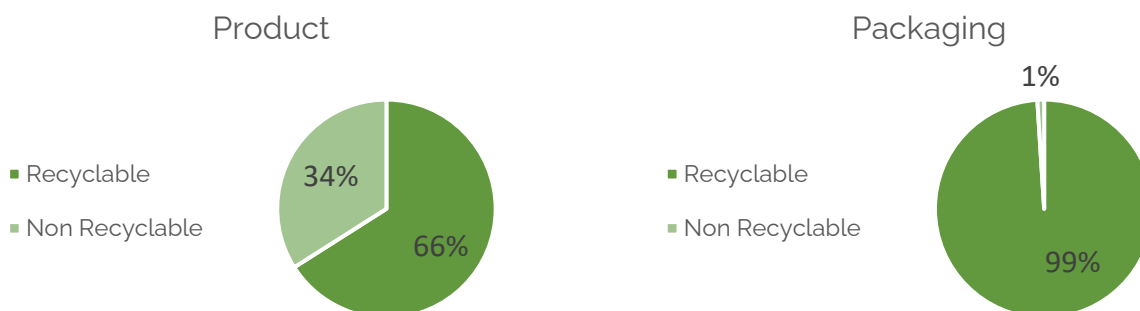
Packaging	Product Material Breakdown		Product Recycled Content		
	Weight (g)	Weight (%)	Pre-Consumer Recycled Content (g)	Post Consumer Recycled Content (g)	Total Recycled Content (%)
Paper / Card / Corrugated	1197.49	98.9%	0	320.25	26.7%
LDPE (4) plastic bag	9.84	0.8%	0	0	0
Nylon plastic strap	3.00	0.2%	0	0	0
Total	1210.33	100%	0	320.25	26.5%

Pre-Consumer Recycled Content: Waste material that was created during the process of manufacturing or delivering goods prior to their delivery to consumers.

Post-Consumer Recycled Content: Waste material created by consumers. This material is diverted from landfills and utilized in the production of other commodities.

Recyclability:

Percentage of the product and packaging that can be easily separated for recycling



Ergonomic Working:



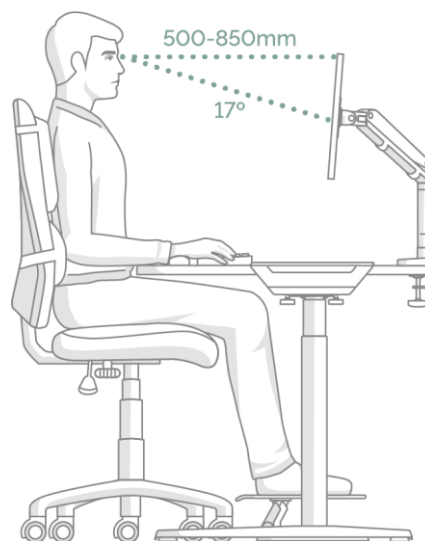
ZONE 3

RELIEVE NECK STRAIN

Achieve comfortable viewing.
Ensure your eyes are in line with
the top of your screen.

How to use a monitor arm

- 1. Arms Reach:** Whether sitting or standing check that your monitor is positioned so you can touch the screen with your fingertips and that you can easily read what is on your screen without straining.
- 2. Eye level:** Adjust the monitor arm until the top of your monitor/s are roughly level with your eyes.
- 3. Tilt:** Tilting the screen slightly upwards can help achieve a more neutral posture and reduce glare.
- 4. Multiple screens:** If you're using more than one monitor make sure:
 - The tops of each screen are level and positioned side by side;
 - You sit in the middle or in front of your main screen to reduce twisting and turning.



Certifications:

EN ISO 9241-5 1999 Ergonomic requirements for office work with visual display terminals (VDT's): part 5: 1999, workstation layout and postural requirements.

ANSI / BIFMA x5.5 – 2014 Desk/Table Products. Clause 22, 23, 24.



CAD Files:

.dwg CAD files available to download from pCon Catalog

OFML data available on all pCon platforms



Aftercare:

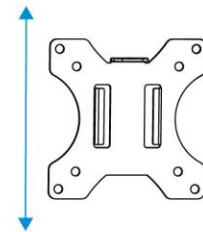
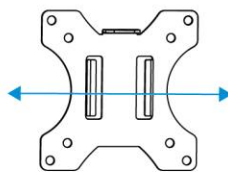
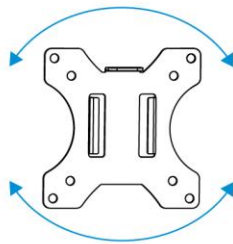
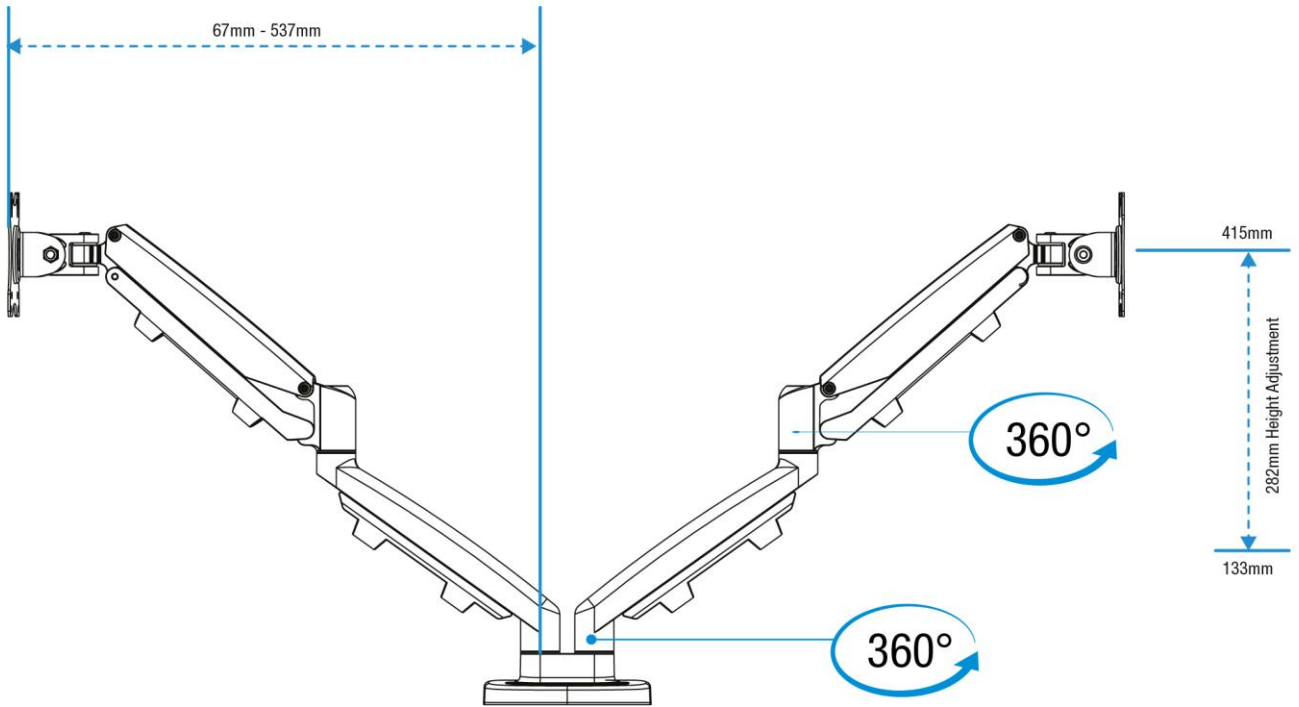
Servicing: Check joint parts regularly to make sure the screws have not loosened.

Spare Parts: Available. Contact CS-UK@Fellowes.com or telephone 00800 18101810.

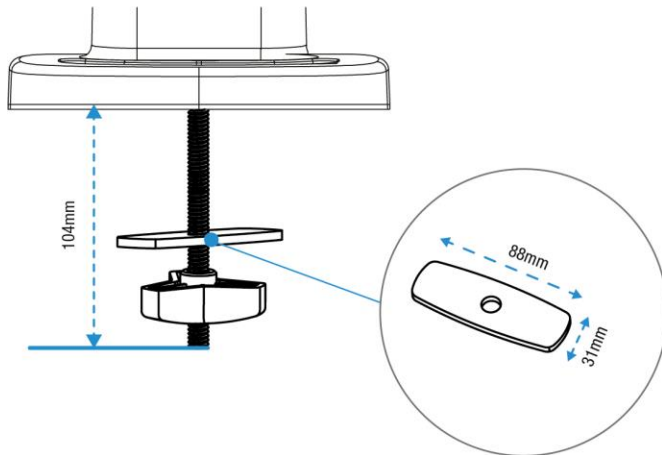
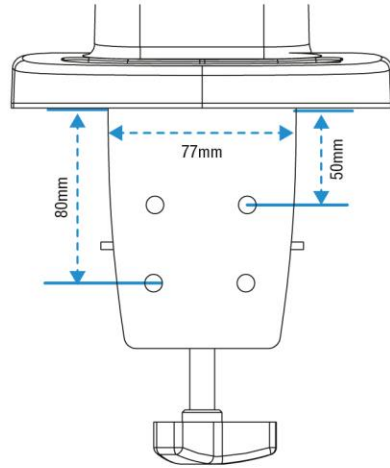
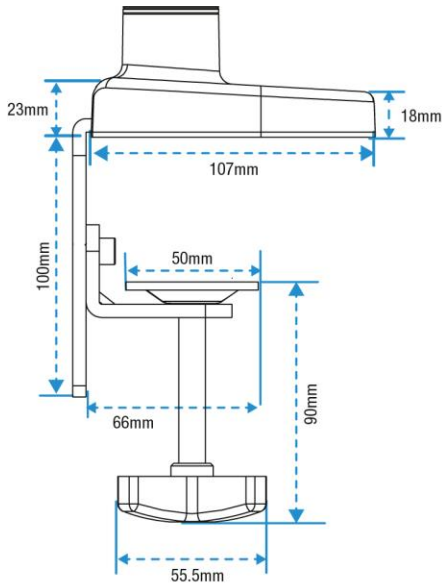
Cleaning: Wipe over with a damp microfibre cloth. Do not use any cleaning solutions.

Handling & Storage: Read and follow all instructions and warnings before use. This product is intended for indoor use only.

Dimensional Drawings:



Dimensional Drawings:



Every effort has been made to ensure that information provided in this document is up to date and accurate. However, Fellowes cannot guarantee and assumes no legal liability or responsibility for the accuracy or completeness of the information provide. In case of any query please contact us as www.Fellowes.com/locations.