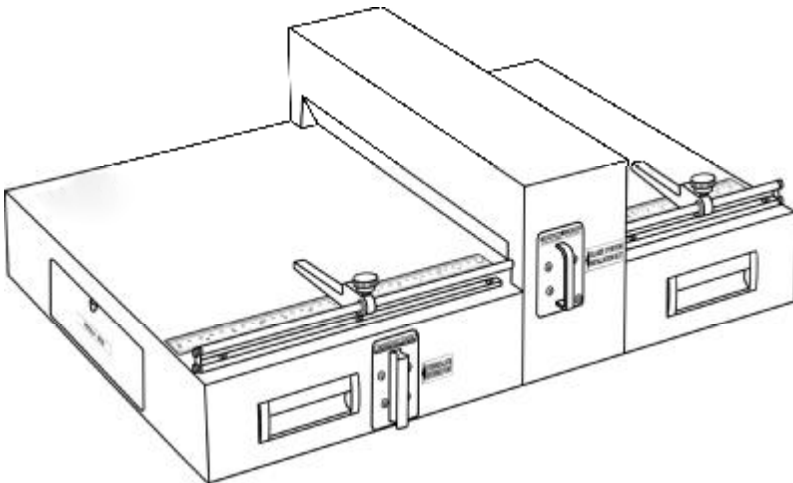




intimus CR-460 ECP

MULTI-CREASING MACHINE



Product user manual

intimus International GmbH
Bergheimer Straße 6-12
88677 Markdorf
Germany
www.intimus.com

95519 1 12/18



CATALOGUE

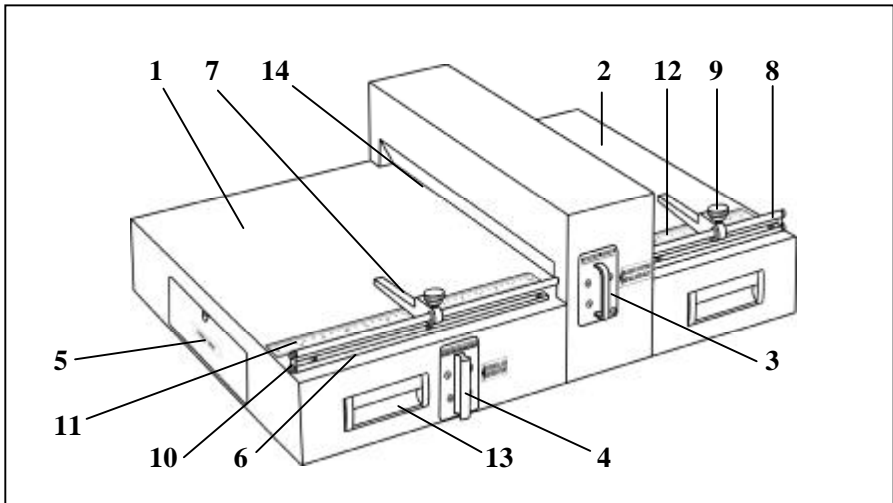
1. Product Introduction	1
2. Components Names	1
3. Components List	3
4. Installation Instructions	3
5. Safety Notes	4
6. Operation Instructions	4
6.1 Creasing Operation Instructions	5
6.2 Perforating Operation Instructions	6
7. Troubleshooting	8
8. Maintenance Notes	9
9. Technical Parameter	9

1. Product Introduction

CR-460 Electric Creasing-Perforating Machine is a new concept multi-function professional equipment combined with many creasing/perforating functions. It can deal with most daily creasing & perforating operations on papers and films. It's using highly reliable energy-saving motor, which can fulfill high load works. It can keep working continuously. It has professional patent design on special clutch drivers mode. Its maintenance-free transmission system is highly reliable and has many different standard quick changing independence blade systems, which will make your operation easier. This machine is easy to handle, very reliable, high quality and durable.

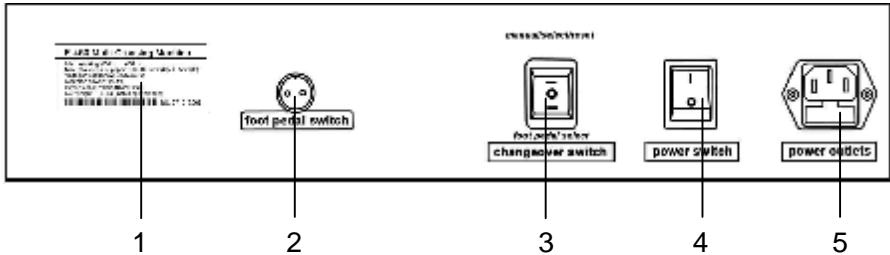
2. Components Names

Machine Structure



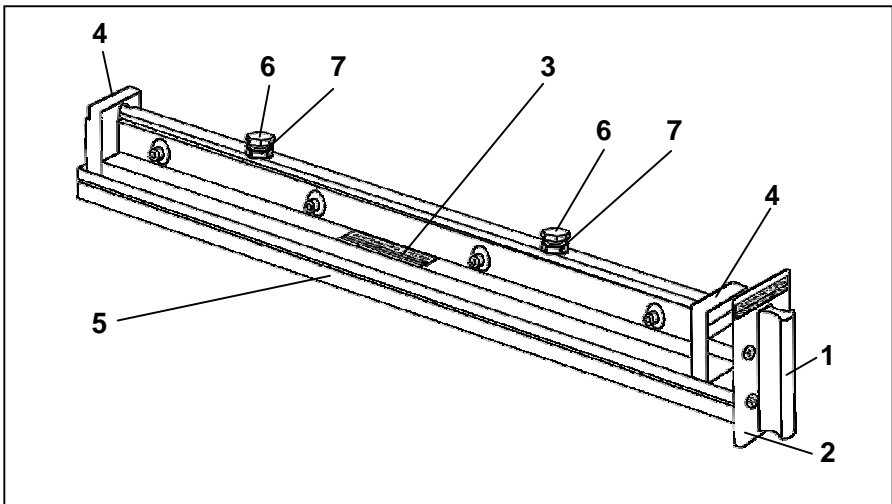
- | | | |
|---------------------------|-------------------------------------|----------------------------|
| 1. Left Operation Panel | 2. Right Operation Panel | 3. Blade Installation Slot |
| 4. Blade Storage Slot | 5. Attached Tools Storage Box Cover | |
| 6. Fixed Position Vernier | 7. Moving Position Vernier | 8. Vernier Rail |
| 9. Vernier Lock | 10. Vernier Bracket | 11. Left Position Ruler |
| 12. Right Position Ruler | 13. Lift Handle | 14. Operation Paper Entry |

Operation Panel



1. Machine Data Board
2. Foot pedal Switch socket
3. Operation Mode Changing Switch
4. Power Switch with Light
5. Power socket with Fuse

Blade System



1. Blade Handle
2. Blade Cover
3. Blade Standard Label
4. Blade Support
5. Pressing Spring
6. Press Adjust Screw
7. Press Adjust Lock Screw

3. Components List

No.	Name	Qty.	Notes
1	CR-460 ECP Machine	1	
2	Creasing Blade System	1	Installed
3	Perforating Blade System	1	Installed in the Storage Slot
4	Power Line	1	Tools box
5	Foot pedal Switch	1	
6	User Manual	1	

4. Installation Instructions

Installation Location

- ★ Before the installation, please make sure the machine will be installed on an appropriate operation table and have enough space for operation.
- ★ Please avoid the following situation when choosing the installation location:
 - Avoid direct sunshine
 - Bad for ventilating
 - High temperature and humidity
 - Close to the AC's cool or heat
 - Dusty or strong vibration
 - Uneven or unstable

Installation Method

- Open the package, pull the bands to take out the machine from the box and put the machine stably.
- Take off all the transportation fix.
- Take out the step switch attached in the box and plug it into the jack on the machine, then lock it with the nut. Put the step switch on the floor.



Caution: When plug the foot pedal switch into the socket on the machine, please make the plug aim to the socket then plug it inside, to avoid any damage to the plug.

- Take out the power line attached in the box and plug it into the socket on the right of the machine, then confirm weather the power voltage is suitable for the machine.

5. Safety Notes



Danger!

- Please DONNOT put your hand or body into machine's paper entrance after connected to power.
- During the operation, please DONNOT put your side items like tie, hair or necklace into the machine's paper entrance to avoid any harm.
- Please avoid children close up the machine to avoid any harm.



Caution!

According to the different blade system, our creasing/perforating machine's normal running range for creasing is between 0.09-0.65mm and for perforating is lower than 0.5mm. Please DONNOT operate with the machine beyond the running range to avoid any damage to the creasing knife or transmission system. Please maintain and clean the machine frequently to make the machine be long time serviceable.

If any damage was appeared by any beyond running range operation, we are sorry that will not be our repair guarantee.



Please stop all the works before move the machine or open the machine up to repair.

The connector plug MUST be pull out.

6. Operation Instructions



Please read the user manual carefully before you start to use this creasing machine



Please plug the machine's power line in the socket



Please make sure the operator is beside when machine is working

6.1 Creasing Operation Instructions

Important Note:

Using the suitable creasing blade system according to the thickness of the paper to make the perfect creasing effect. If the creasing blade system is not suitable for the paper may cause bad creasing effect or even damage the creasing blade system.

Recommended Creasing Operation Data:

Blade Sys No.	Paper Thickness	Blade Thickness	Creasing Width	Creasing Depth
C46-A	<0.36mm	0.71mm	1.3mm	0.4mm
C46-B	0.30-0.45mm	0.71mm	1.6mm	0.5mm
C46-C	0.40-0.50mm	1.07mm	1.7mm	0.6mm
C46-D	0.45-0.55mm	1.07mm	2.3mm	0.7mm
C46-E	0.50-0.65mm	1.42mm	2.7mm	0.8mm

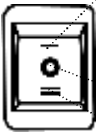
Note: The Creasing Blade System attached with the machine is C46-B.

- Plug in, turn on the machine, make sure the red power indication light on.

Before the operation, please confirm the blade system you are



Caution: using is the best choice for the paper first, otherwise, please choose another system.



- Turn the switch to "1", the machine is under manual mode, the machine will finish one punch by a single touch on the switch, then the machine will reset automatically and the switch will turn to "0".
- Turn the switch to "0", the machine is standby, but not operating.
- Turn the switch to "2", the machine is under Semi-automatic mode. After insert the paper, the machine will finish one punch by treating the foot pedal, then the machine will be back to standby.



Suggestion: We suggest you to turn the switch to "2" for Semi-automatic mode.

- Make sure the position and size of the creasing first, if only one piece of creasing is needed, fix the position of left-side Slide Positioning Model according to the creasing size.
- If two piece of creasing is needed, i.e. book spine creasing and reading creasing make sure the position of book spine creasing first, move the right-side Slide Positioning Model to that position and fix, then move the left-side Slide Positioning Model to correct position and fix according to the reading creasing size and position.



When moving the Slide Positioning Model, please hold its head up and move the model parallelly. Please don't move when its head on the vernire, in case any damage occurred to the model suit or vernire.



When moving the Slide Positioning Model to the needed position, please push its head there, and fixed the screws manually, then the model is fixed there, in case the creasing position is not exact.

- When the Slide Positioning Model is fixed in the need position, put down the creasing papers from Mechanism core protection cover and rely it on the fixed Slide Positioning Model back side.
- If only one piece of creasing is needed, move the paper rightward, and rely it on the fixed right-side Slide Positioning Model right side. Step onto the step switch, wait until the machine stops and take out of creasing paper. Creasing is ready.
- If two piece of creasing is needed, move the paper rightward first, and rely it on the fixed right-side Slide Positioning Model right side. Treat the foot pedal, wait until the machine stops and then move the paper leftward, rely it on the left-side Slide Positioning Model left side. Treat foot pedal again, wait until the machine stops and take out of creasing paper. Creasing is ready.

6.2 Perforating Operation Instructions



Important Note:

Using the suitable perforating blade system according to the thickness of the paper to make the perfect perforating effect. If the perforating blade system is not suitable for the paper may cause bad perforating effect or even damage the perforating blade system.

Recommended Perforating Operation Data:

Blade Sys No.	Paper Thickness	Teeth Per inch	Teech Width	Teech Disdance
P46-A	<0.30mm	16:1	0.8mm	0.8mm
P46-B	<0.35mm	12:1	1.4mm	0.7mm
P46-C	<0.40mm	10:1	1.2mm	1.2mm
P46-D	<0.45mm	8:1	2.0mm	1.0mm
P46-E	<0.50mm	6:1	3.0mm	1.0mm

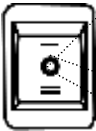
Note: The Perforating Blade System attached with the machine is P46-B.

- Plug in, turn on the machine, make sure the red power indication light on.

Before the operation, please confirm the blade system you are



Caution: using is the best choice for the paper first, otherwise, please choose another system.



- Turn the switch to "1", the machine is under manual mode, the machine will finish one punch by a single touch on the switch, then the machine will reset automatically and the switch will turn to "0".
- Turn the switch to "0", the machine is standby, but not operating.
- Turn the switch to "2", the machine is under Semi-automatic mode.

After insert the paper, the machine will finish one punch by

treating the foot pedal , then the machine will be back to standby.



Suggestion: We suggest you to turn the switch to "2" for Semi-automatic mode.

- Make sure the position and size of the perforating first, if only one piece of perforating is needed, fix the position of left-side Slide Positioning Model according to the perforating size.
- If two dotted lines are needed, make sure the position of the first dotted line, move the right-side slide positioning model to that position and fix, then move the left-side slide position model to the second dotted line position and fix.



When moving the Slide Positioning Model, please hold its head up and move the model parallelly. Please don't move when its head on the vernire, in case any damage occurred to the model suit or vernire.



When moving the Slide Positioning Model to the needed position, please push its head there, and fixed the screws manually, then the model is fixed there, in case the creasing position is not exact.

- When the Slide Positioning Model is fixed in the need position, put down the creasing papers from Mechanism core protection cover and rely it on the fixed Slide Positioning Model back side.
- If only one piece of perforating is needed, move the paper rightward, and rely it on the fixed right-side Slide Positioning Model right side. Treat the foot pedal , wait until the machine stops and take out of perforating paper.Perforating is ready.
- If two piece of perforating is needed, move the paper rightward first, and rely it on the fixed right-side Slide Positioning Model right side. Treat the foot pedal , wait until the machine stops and then move the paper leftward, rely it on the left-side Slide Positioning Model left side. Treat the foot pedal again, wait until the machine stops and take out of perforating paper. Perforating is ready.

7. Troubleshooting



If the following glitches appeared during your operation, please stay calm and follow the following instructions to fix the glitches. If the glitches remain or other glitches appear, please find a professional maintenance person.



Insert the blade system into the machine through the Blade Installation Slot. Open the machine and test with a piece of paper. If the creasing/perforating effect is not perfect, please follow the steps below to adjust the machine:

7.1 The creasing/perforating is too shallow/deep:

Take the die out off the machine, loose the press adjusting lock screw, if the effect is too shallow, screw the adjusting screw counter-clock wise, then tighten the press adjusting lock screw.

If the effect is too deep, screw the adjusting screw clock wise, then tighten the press adjusting lock screw. After the adjustment, insert the die into the machine and test again, if the effect is still unsatisfied, just repeat the step above, until the effect is satisfied.

7.2 The creasing/perforating is not balanced:

Take the die out off the machine, loose the press adjusting lock screw on the side which is shallow, screw the adjusting screw counter-clock wise, then tighten the press adjusting lock screw. After the adjustment, insert the die into the machine and test again, if the effect is still unsatisfied, just repeat the step above, until the effect is satisfied.



Caution: Every time of the adjustment to the screw CANNOT be over 90 degrees to avoid the machine locking.

7.3 After the creasing/perforating, the dotted line break the paper:

Take the perforating blade system out. Loosen the pressure adjusting locknut on the shallower side of the dotted line. Rotate the pressure adjusting screw clockwise. Screw the pressure adjusting locknut tight and put the perforating blade system back into the machine again and test the perforating. If the perforating effect is not reaching your need, please repeat the steps above, until the perforating effect is satisfied.

7.4 The perforating is too shallow/unbalanced:

Repeat the steps above. If not effect, please replace a new blade system.



Caution: The blade system is daily using consumable. After 10000 times of perforating 5000 times of creasing, the blade system is suggested to be replaced. That will ensure the best effect of the machine.

8. Maintenance Notes

- If the next operation will be operated after a long time, please shut down the machine to save power and make the machine be long time serviceable.
- After every operation finished and shut down the machine, please clean the surface of the machine up. Especially clean the operation panel up to avoid any granule inside the machine, which may cause any damage to the machine.
- Drop some lubricating oil onto the two mandrils and axletree connecting position to ensure the smooth running of the mechanism every week.

9. Technical Parameter

Function/Model	CR-460 ECP
Max Working Width	460mm
Max Working Thickness	0.09-0.65mm(Creasing)/0.5mm(Perforating)
Working Speed	1800 times/hour
Working Noise	50-55Db(A)
Power Supply	AC220V/50Hz
Power	150W
Machine Size	70X53.5X24cm
Machine Weight	40kgs