








i29 ASSEMBLY INSTRUCTIONS







*Headrest assembly items and details are applicable if headrest has been purchased. Item may be supplied in a separate box.

Secure screws tightly or product damage may occur.

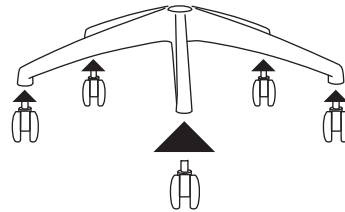
Visit hoodseating.com for assembly download documents and for user instructions.



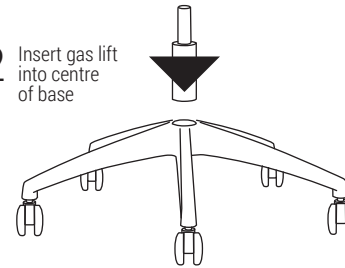
-  5x CASTORS
-  1x BASE
-  1x GAS LIFT
-  1x SEAT
-  1x BACK
-  2x ARMS
-  1x HEADREST*

	QTY	ITEM	SIZE	SPARES
	3x	M8	20mm	1
	2x	M8	32mm	1
	2x	M6	12mm	1
	5x	Washers		
	1x	Badge		
	1x	Allen Key		

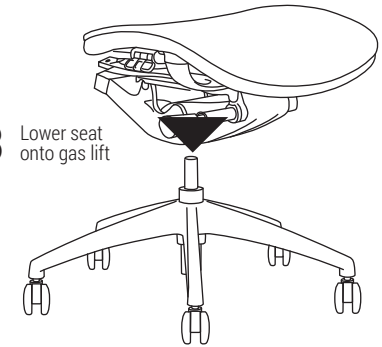
1 Insert castors into underside of base



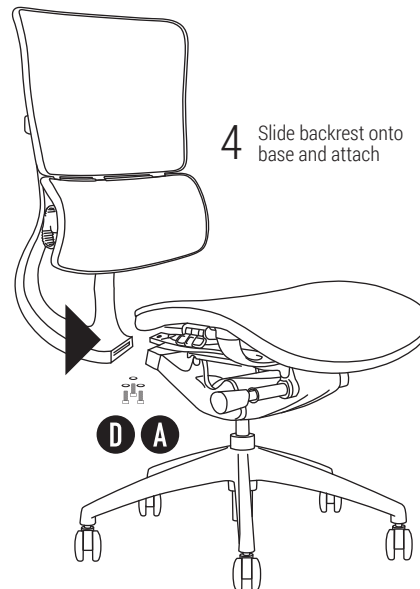
2 Insert gas lift into centre of base



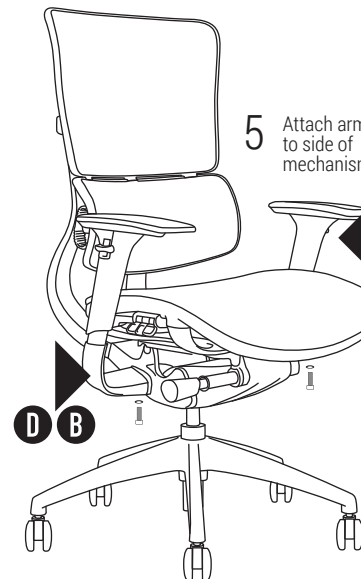
3 Lower seat onto gas lift



4 Slide backrest onto base and attach



5 Attach arms to side of mechanism



6 Attach headrest* if applicable then apply badge

