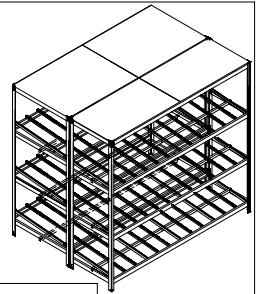




www.globalindustrial.com

1-800-645-2986

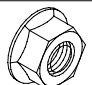
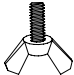




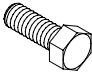
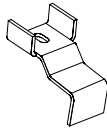
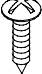
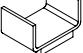

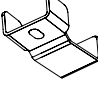
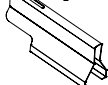

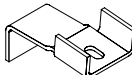



DOUBLE DEPTH GRAVITY FLOW RACK ASSEMBLY INSTRUCTION

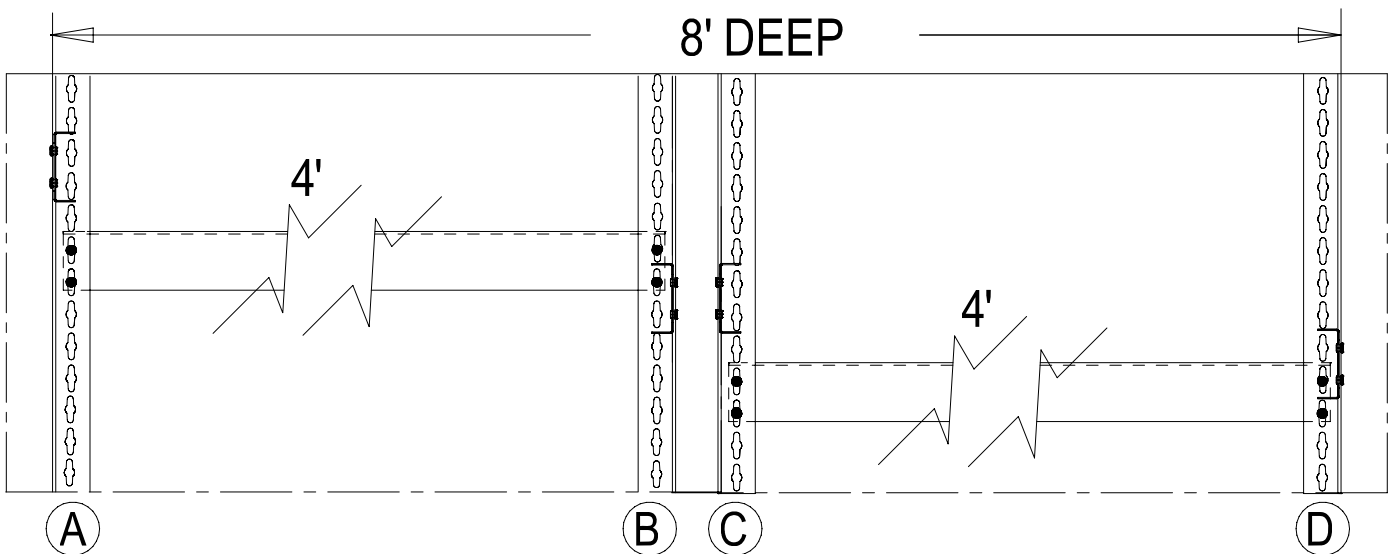
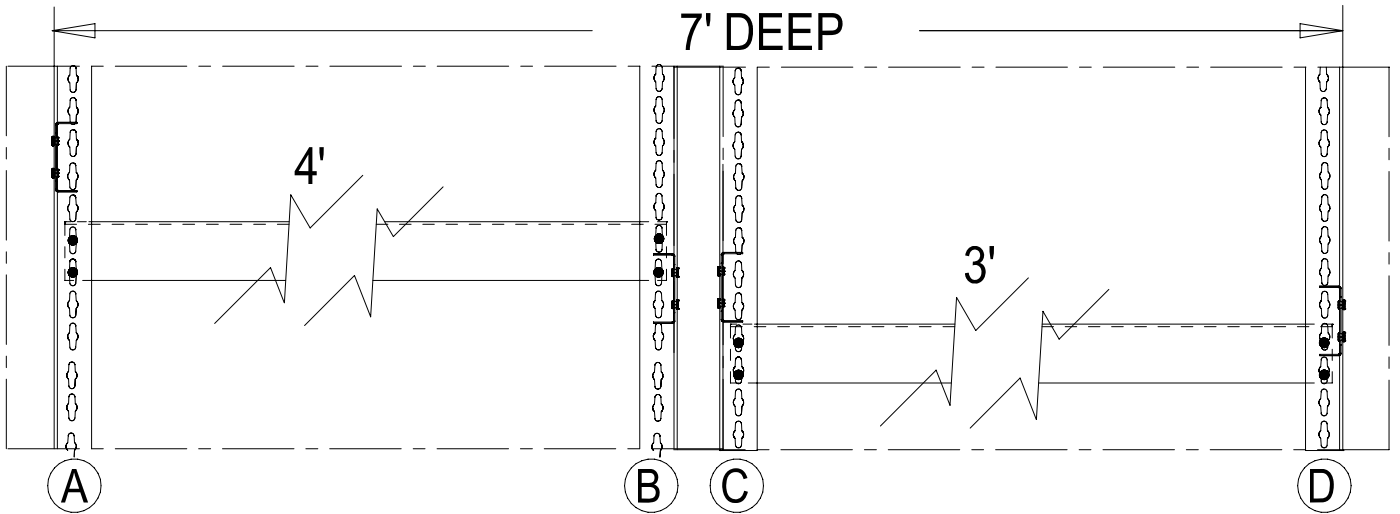
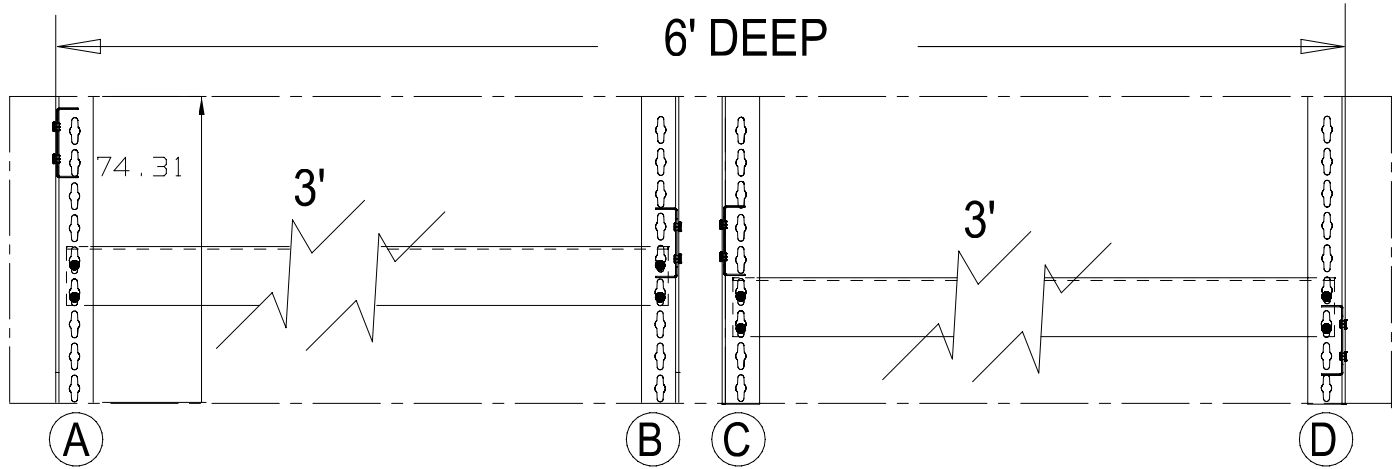
REF.	QTY.	6' DEEP DESCRIPTION	7' DEEP DESCRIPTION	8' DEEP DESCRIPTION
1	8	UPRIGHTS	UPRIGHTS	UPRIGHTS
2	16	CHANNEL BEAM	CHANNEL BEAM	CHANNEL BEAM
3	8	3' ANGLE BEAM	4' ANGLE BEAM	4' ANGLE BEAM
4	8	3' ANGLE BEAM	3' ANGLE BEAM	4' ANGLE BEAM
5	2*	CENTER SUPPORT	CENTER SUPPORT	CENTER SUPPORT
6	5*	3' BOX GUIDE	4 BOX GUIDE	4' BOX GUIDE
7	5*	3' BOX GUIDE	3' BOX GUIDE	4' BOX GUIDE
8	8*	3' ROLLER TRACK	4' ROLLER TRACK	4' ROLLER TRACK
9	8*	3' ROLLER TRACK	3' ROLLER TRACK	4' ROLLER TRACK
10	2	3' DECK SUPPORT	4' DECK SUPPORT	4' DECK SUPPORT
11	2	3' DECK SUPPORT	3' DECK SUPPORT	4' DECK SUPPORT
12	2	3' PARTICLE BOARD	4' PARTICLE BOARD	4' PARTICLE BOARD
13	2	3' PARTICLE BOARD	3' PARTICLE BOARD	4' PARTICLE BOARD

*QUANTITY IS PER LEVEL ONLY

PART LIST

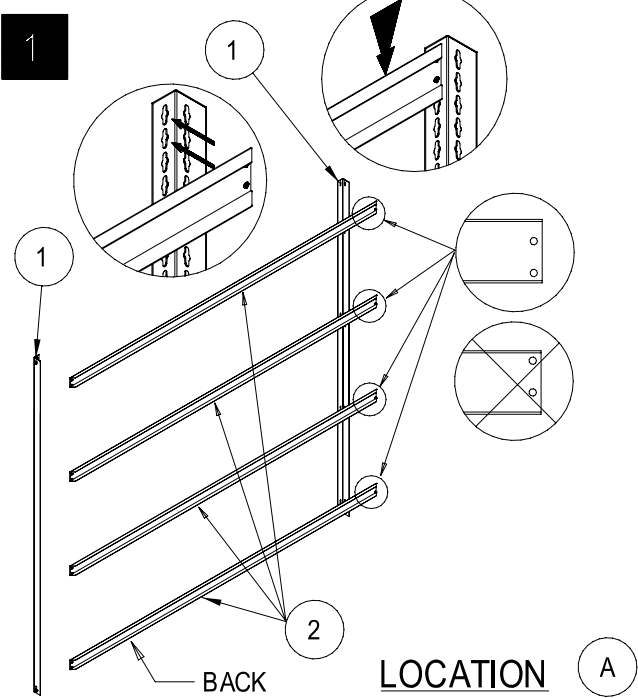
REF.	QTY.	DESCRIPTION	REF.	QTY.	DESCRIPTION
H1	6		H9	44	
H2	6		H10	52	
H3	6		H11	52	
H4	6		H12	13	
H5	4		H13	13	
H6	44		H14	13	
H7	5		H15	8	
H8	26		H16	8	

BEAM LAYOUT CHART

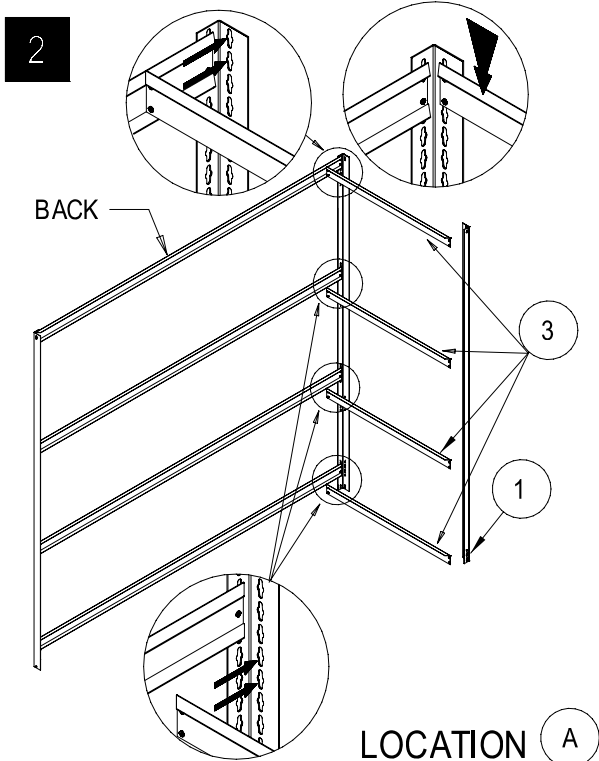


BACK

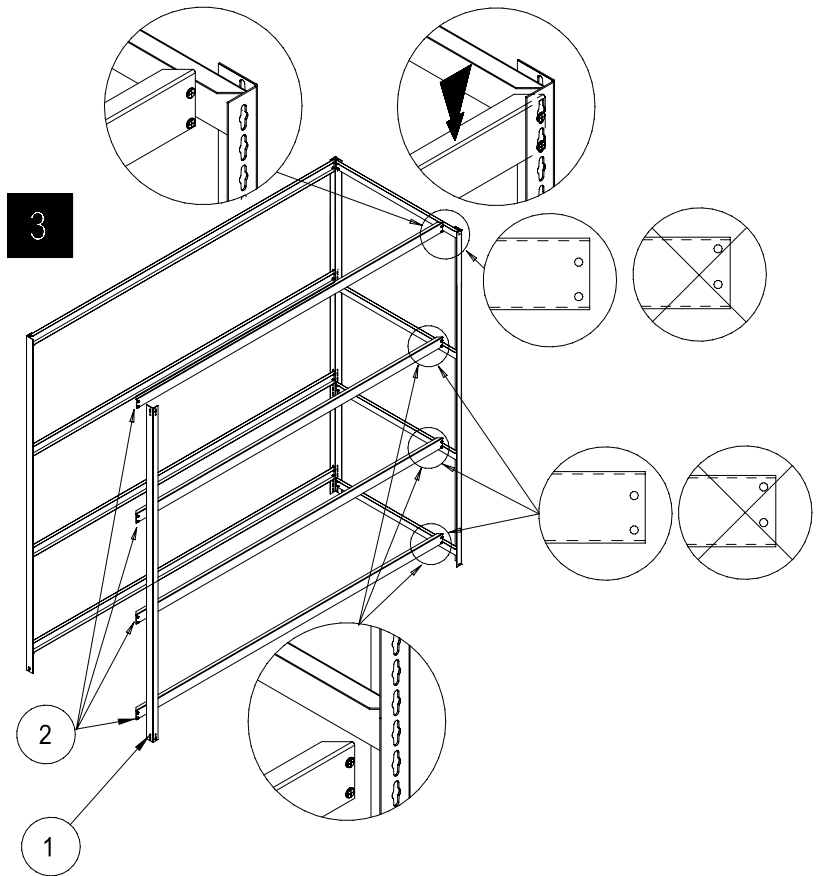
FRONT



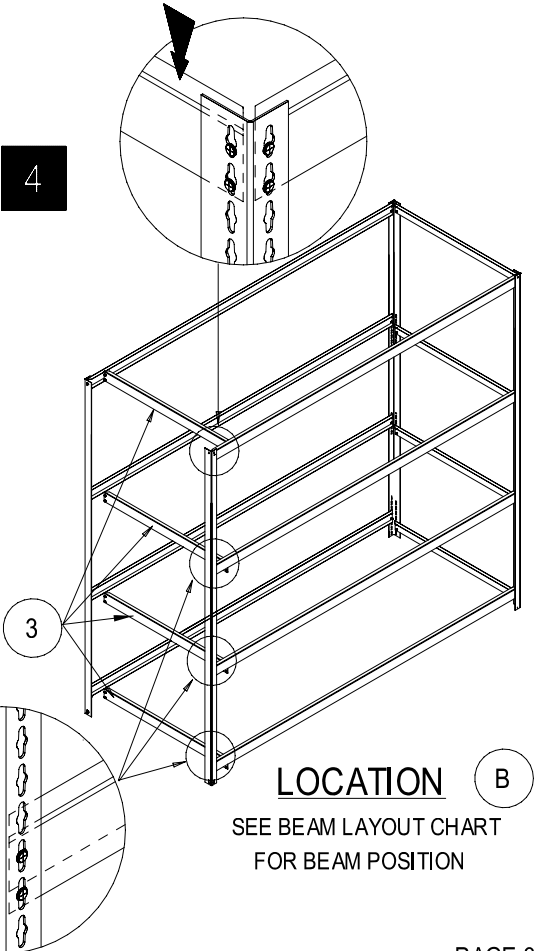
LOCATION A
SEE BEAM LAYOUT CHART
FOR BEAM POSITION



LOCATION A
SEE BEAM LAYOUT CHART
FOR BEAM POSITION

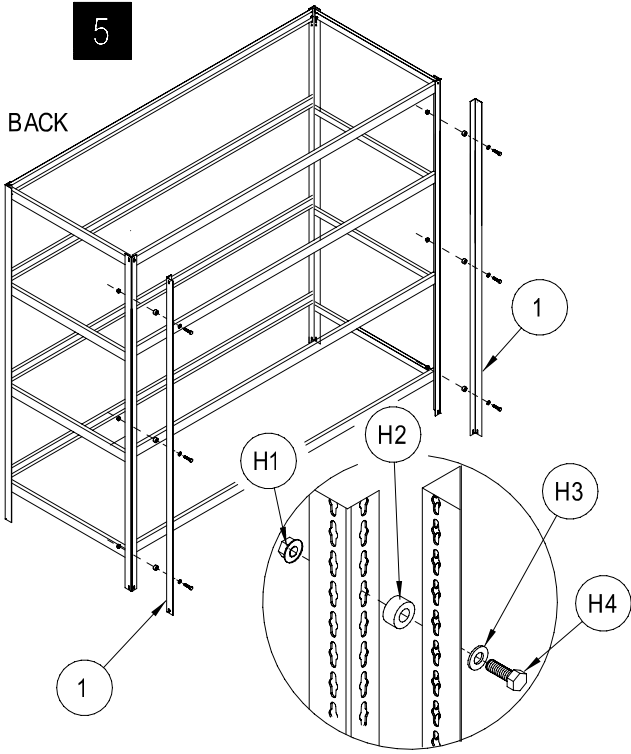


LOCATION B
SEE BEAM LAYOUT CHART
FOR BEAM POSITION

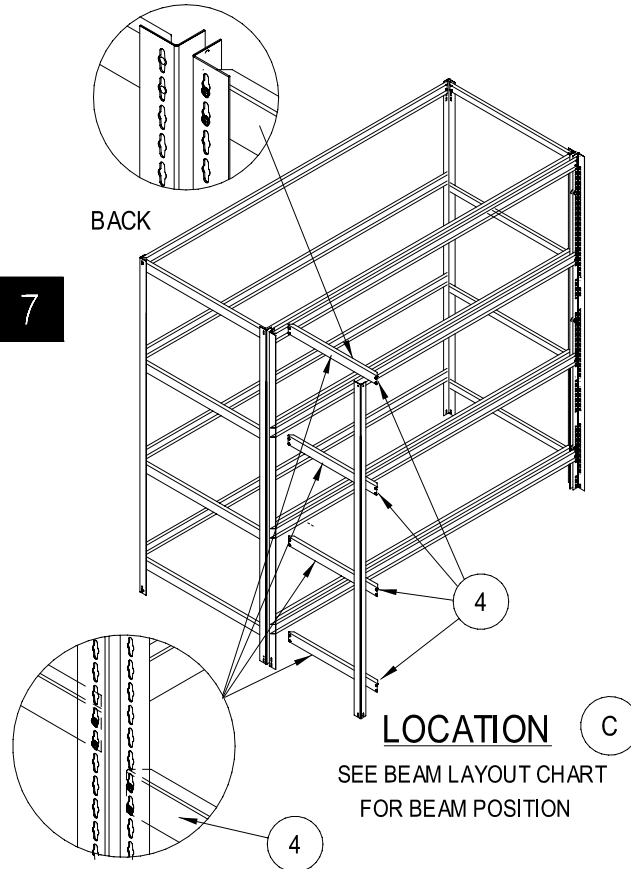
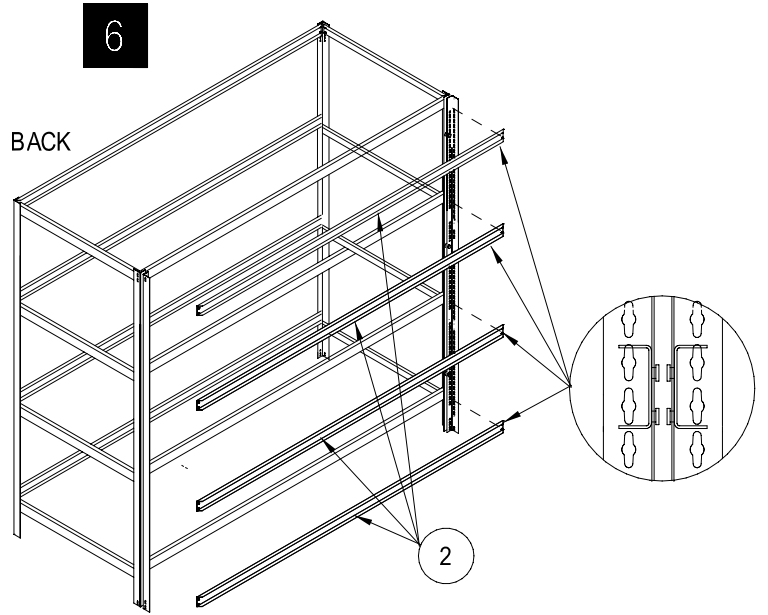


LOCATION B
SEE BEAM LAYOUT CHART
FOR BEAM POSITION

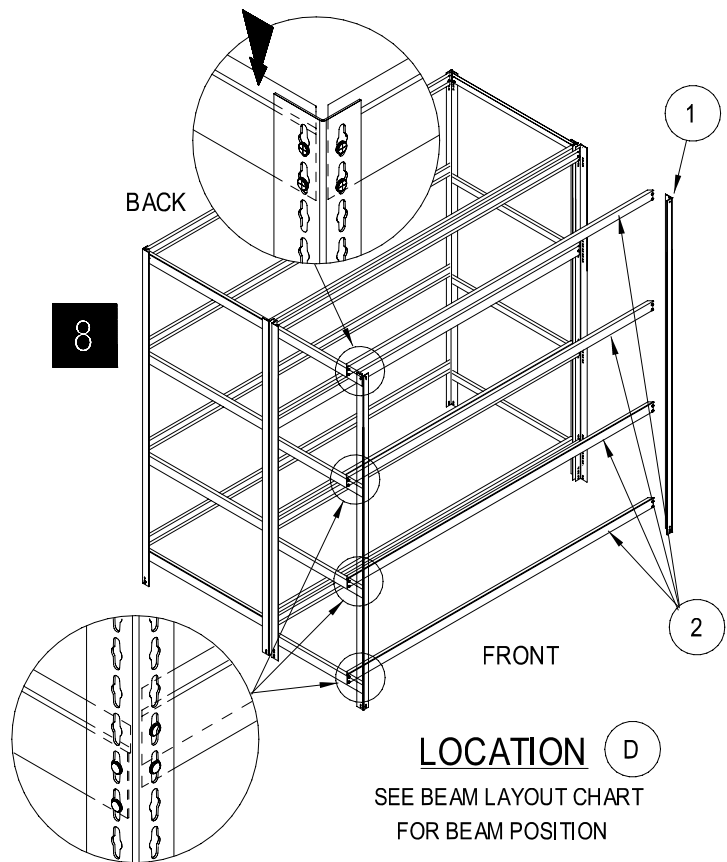
5



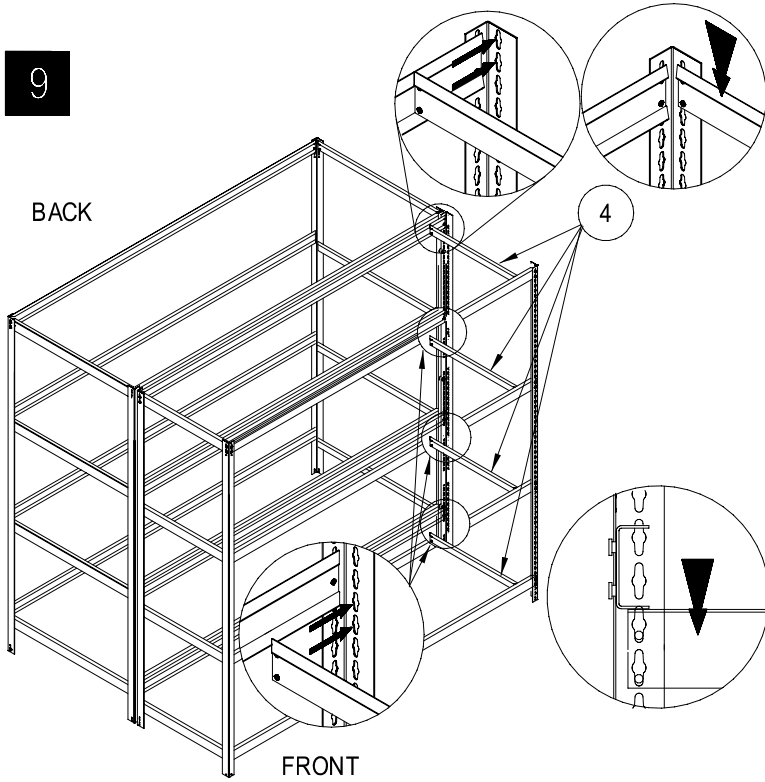
6



8



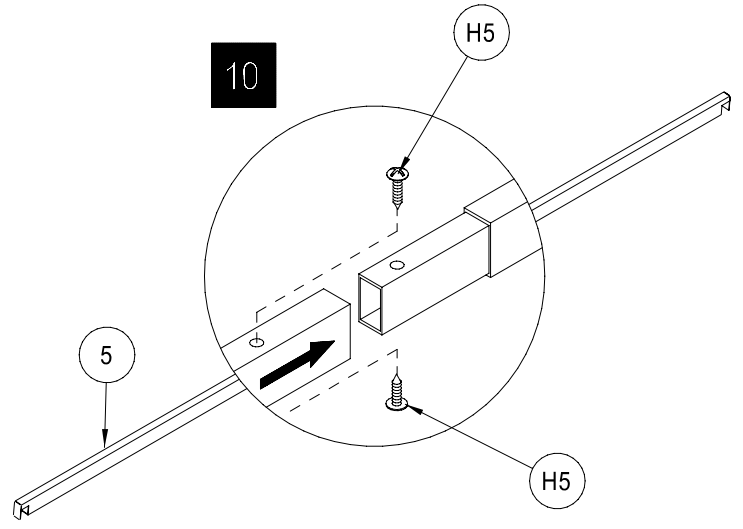
9



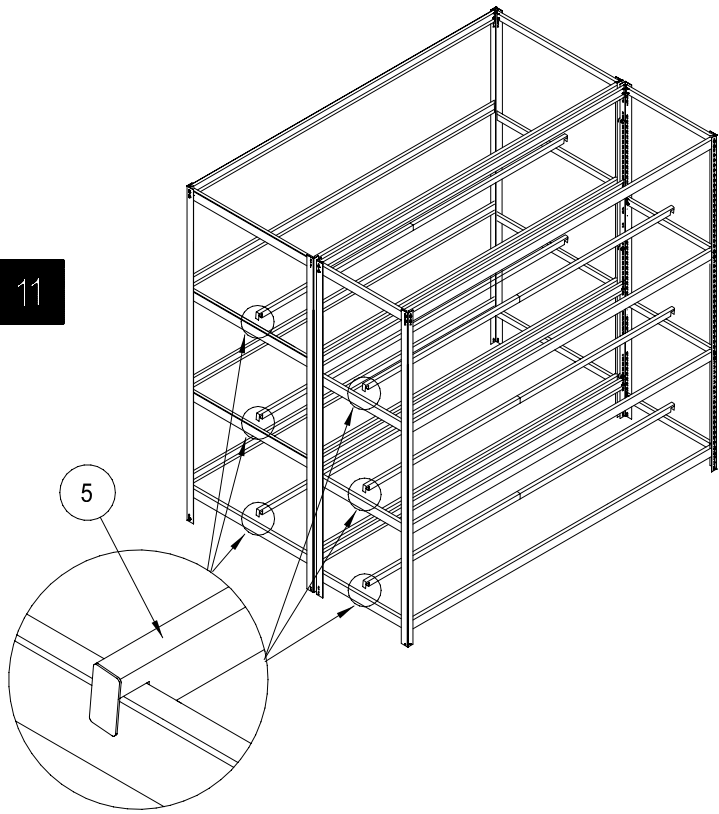
LOCATION C

SEE BEAM LAYOUT CHART FOR BEAM POSITION

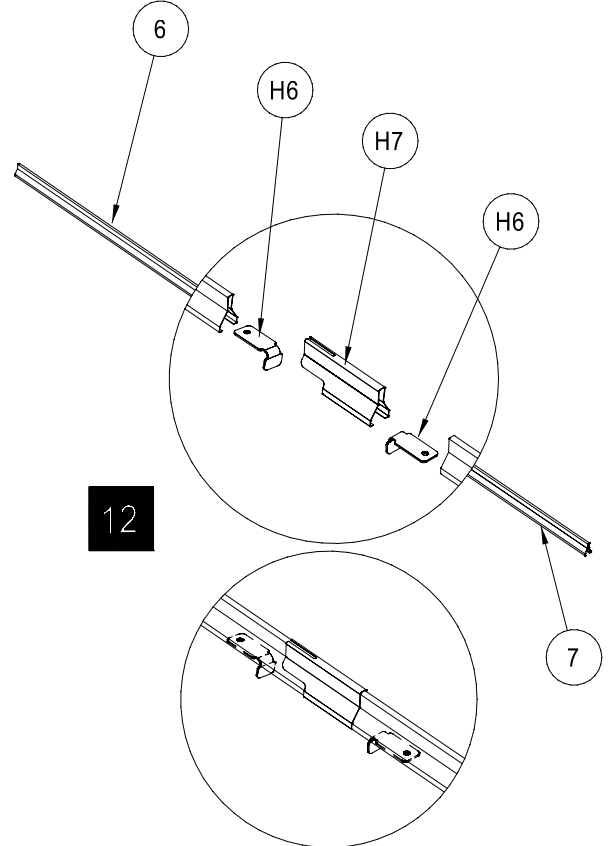
10



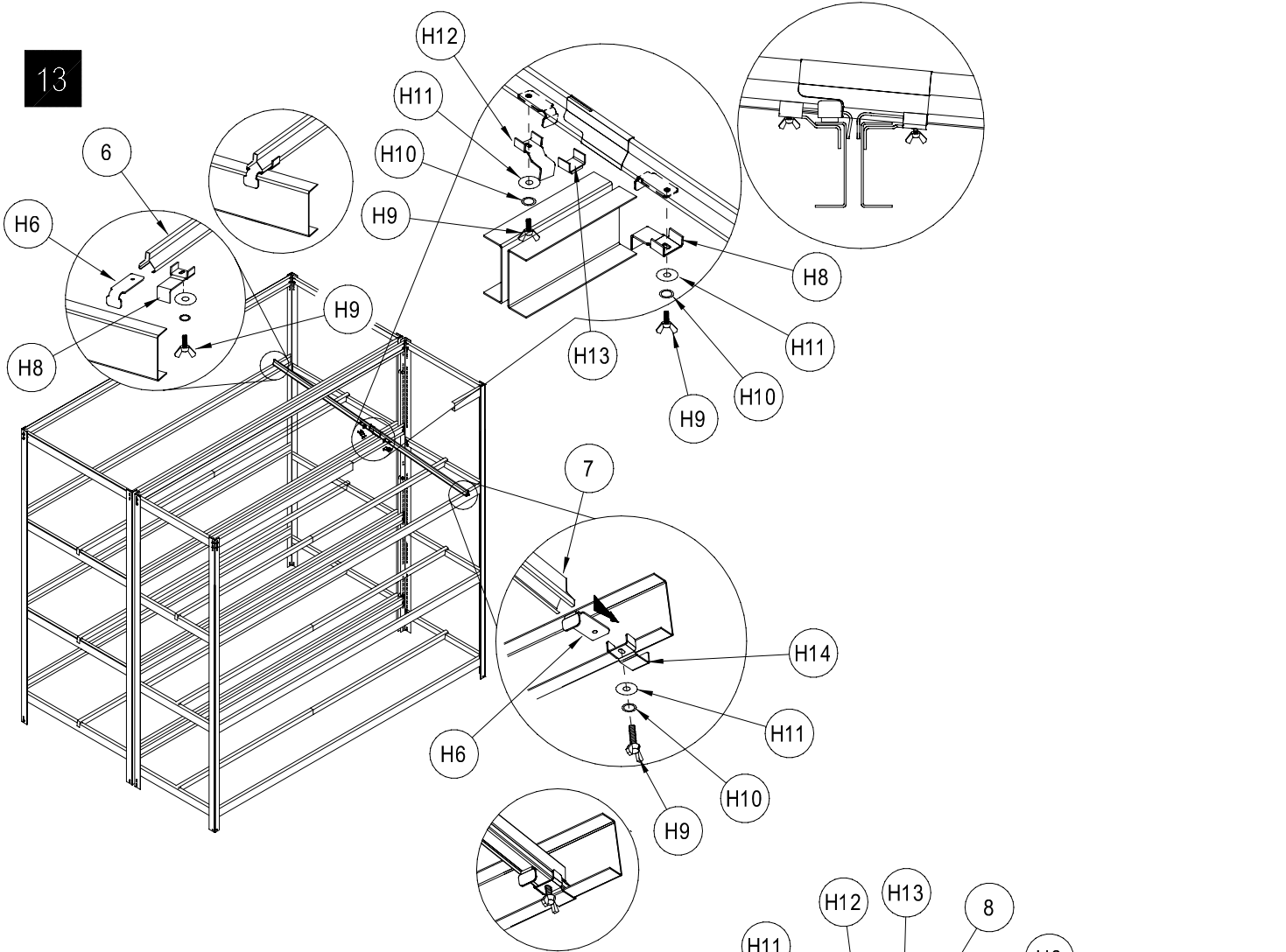
11



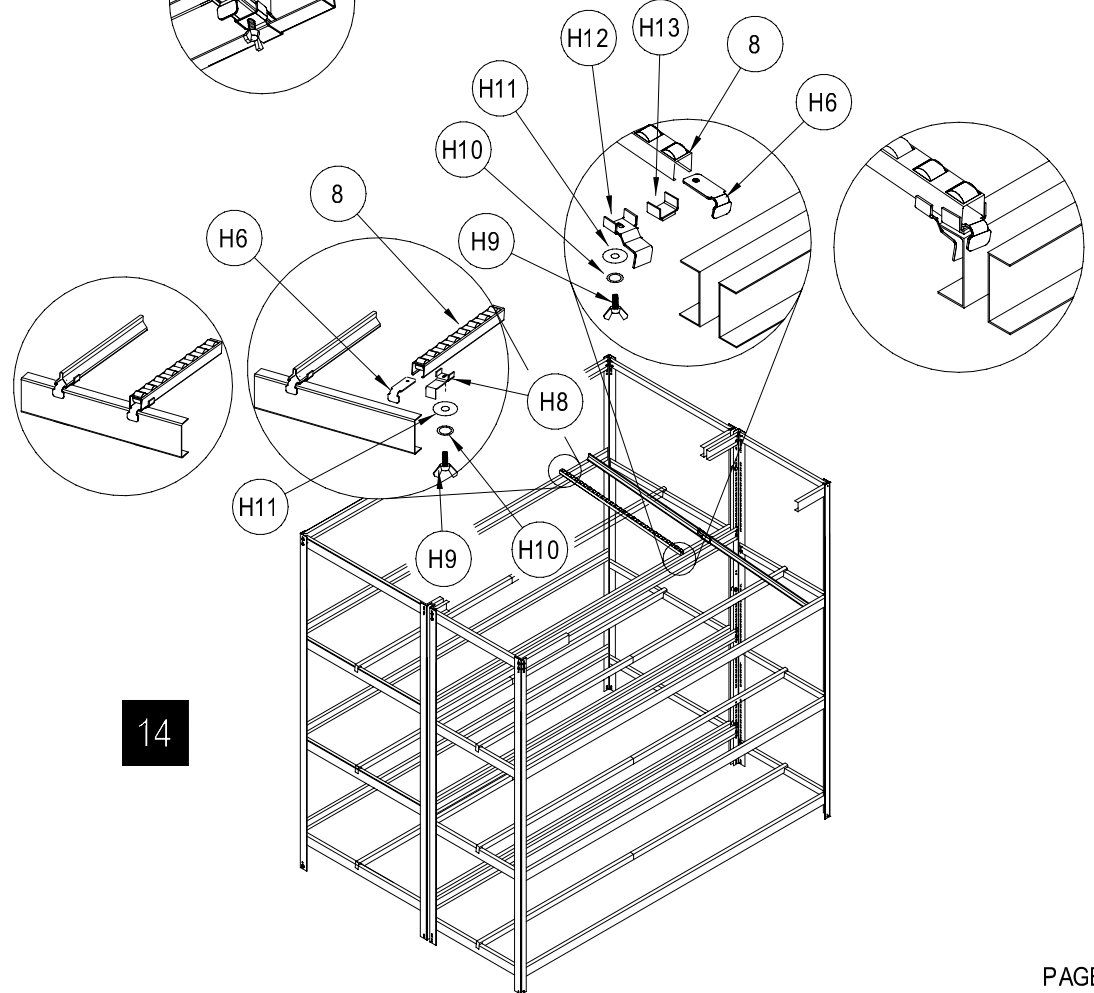
12



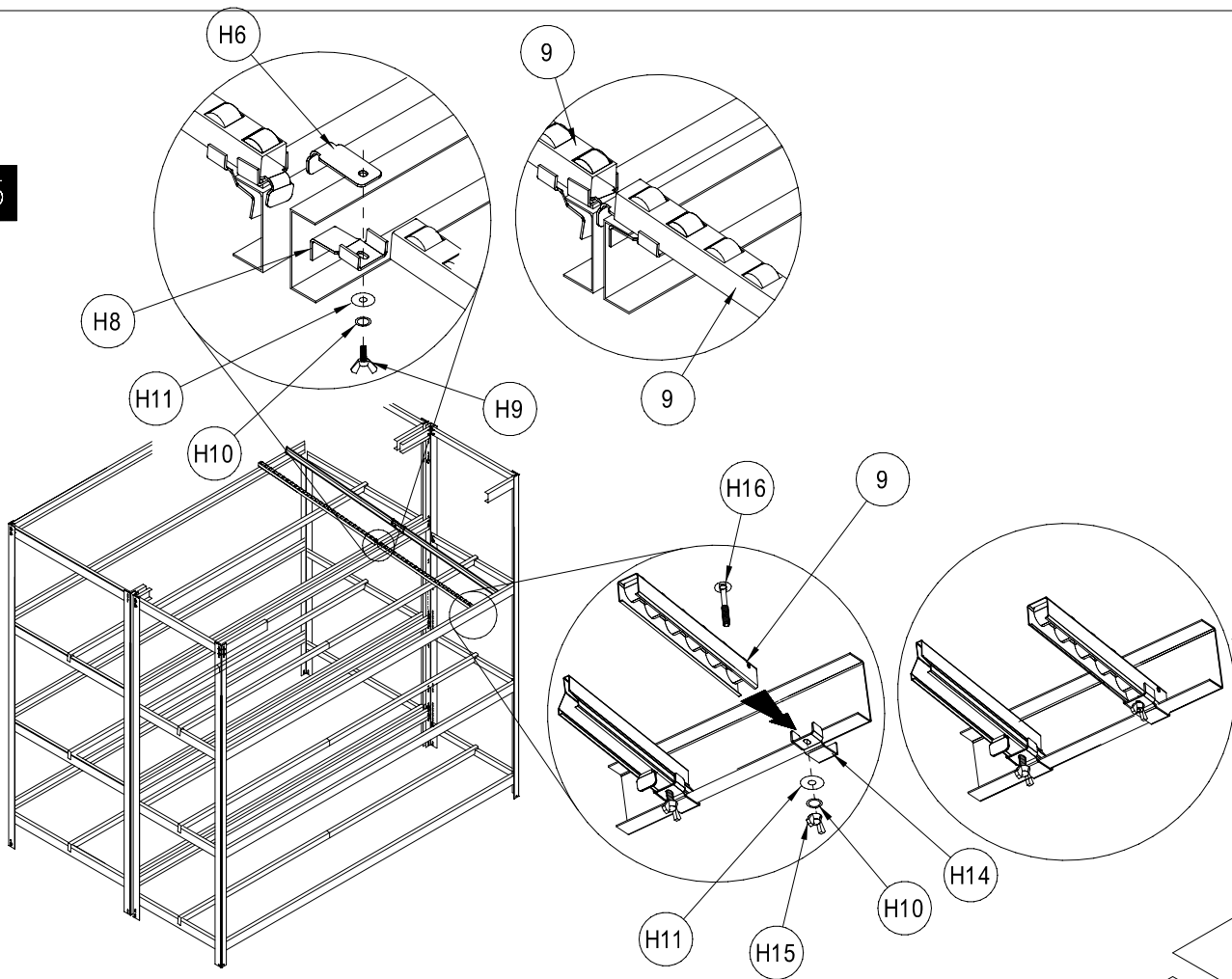
13



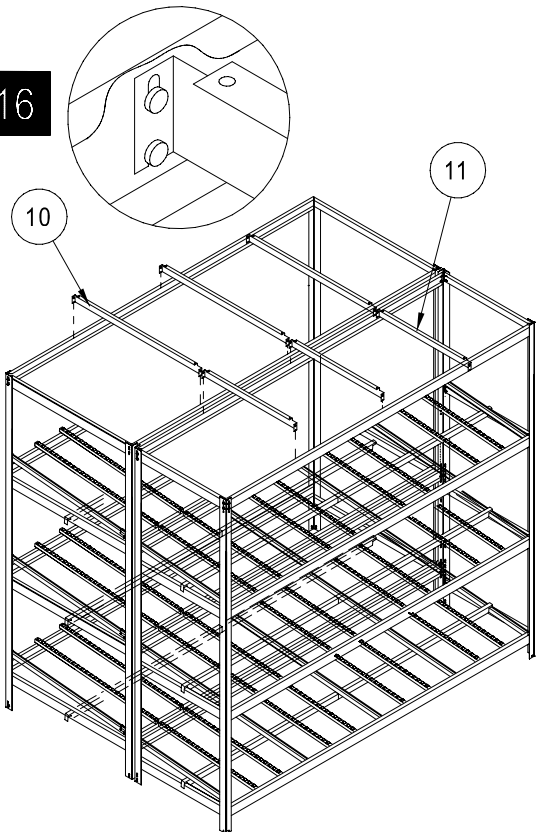
14



15



16



17

