

User Manual

Manual de Usuario

Manuel de l'Utilisateur

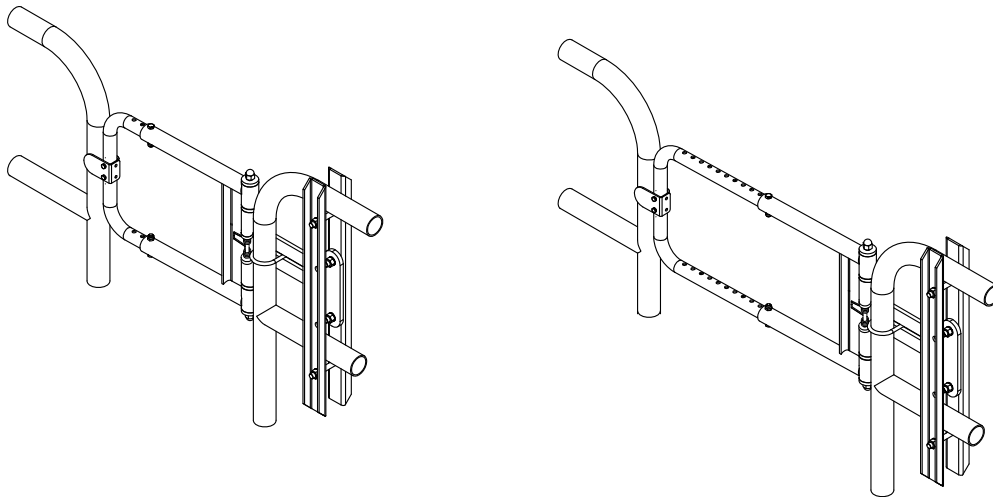
Customer Service
US: 1-800-645-2986

Servicio de atención al Cliente
US: 1-800-645-2986

Service à la clientèle
Canada: 888-645-2986

Safety Gate

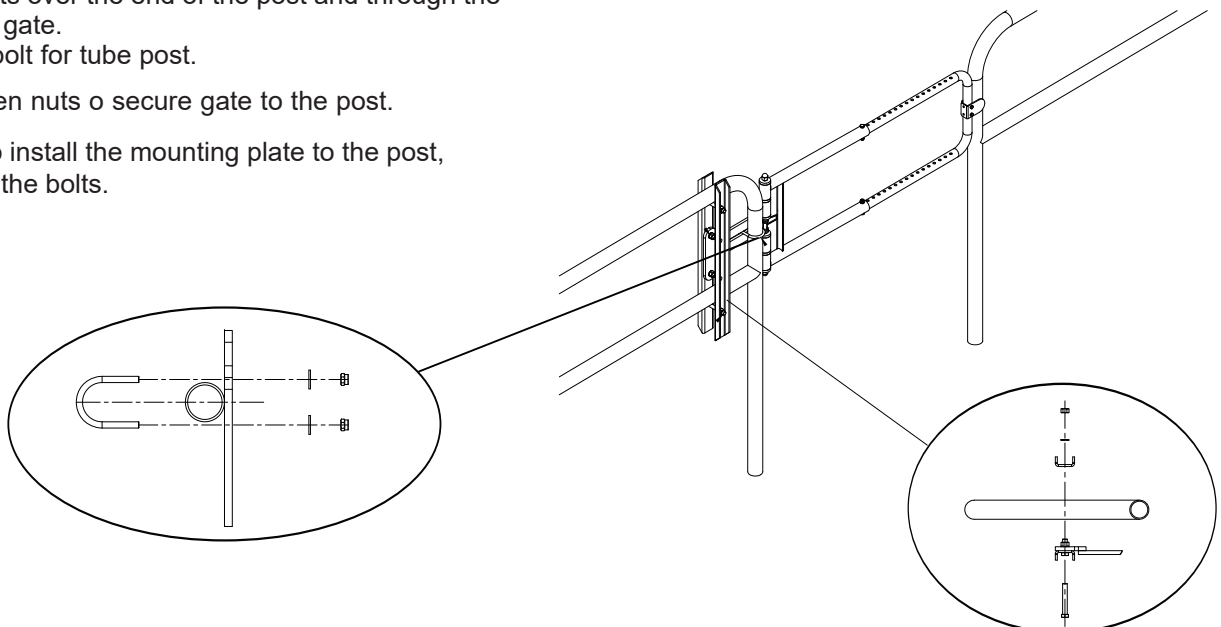
Model 708536YL & 708537YL



Model	Description	Fits Opening	Height	Weight
708536YL	Safety Swing Adjustable Gate	16"-26"	13"	28 lbs.
708537YL	Safety Swing Adjustable Gate	24"-40"	13"	33 lbs.

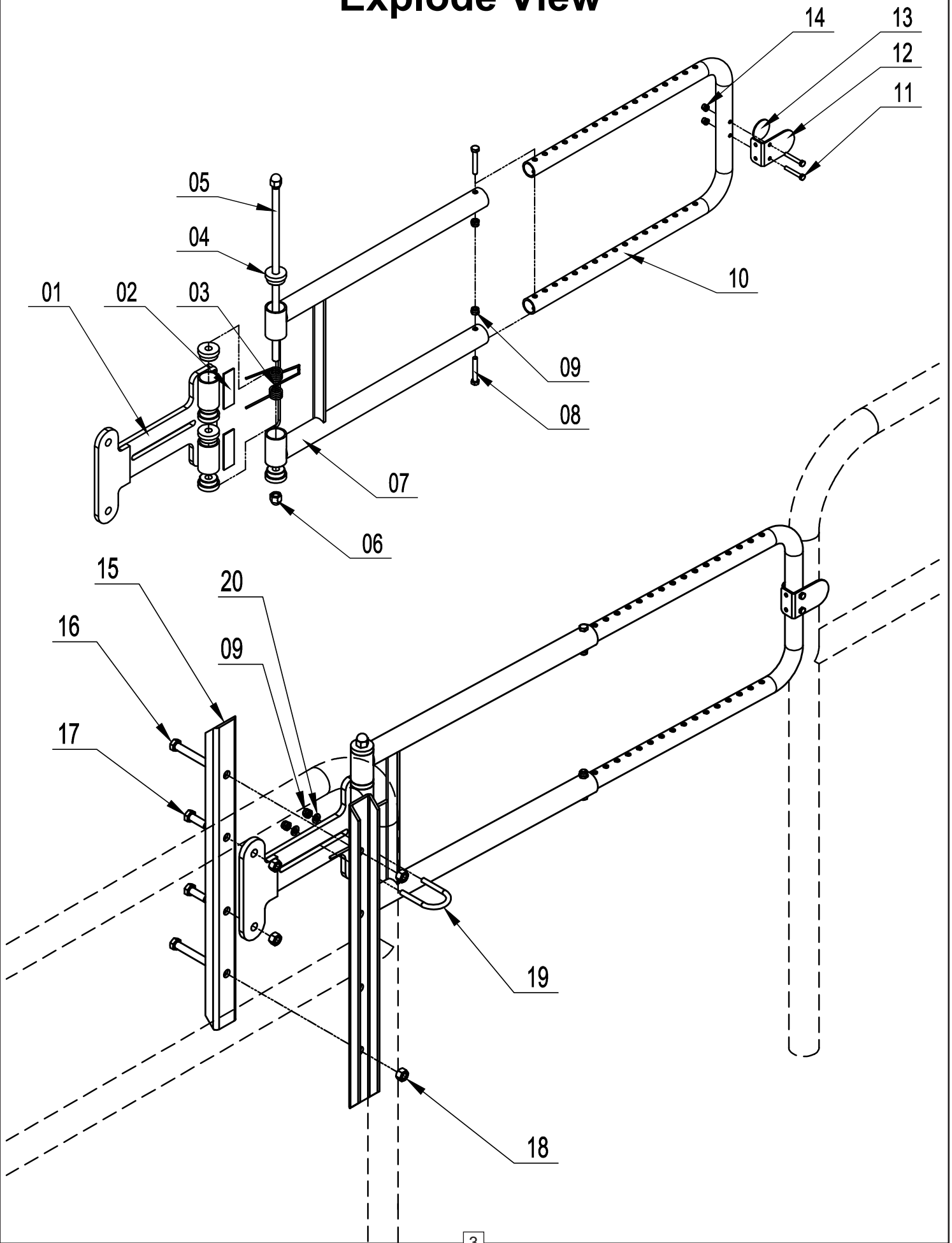
Mounting the gate to a post:

1. Place U-bolts over the end of the post and through the base of the gate.
Use the U-bolt for tube post.
2. Firmly tighten nuts to secure gate to the post.
3. Use bolts to install the mounting plate to the post, and tighten the bolts.



SAFETY GATE

Explode View



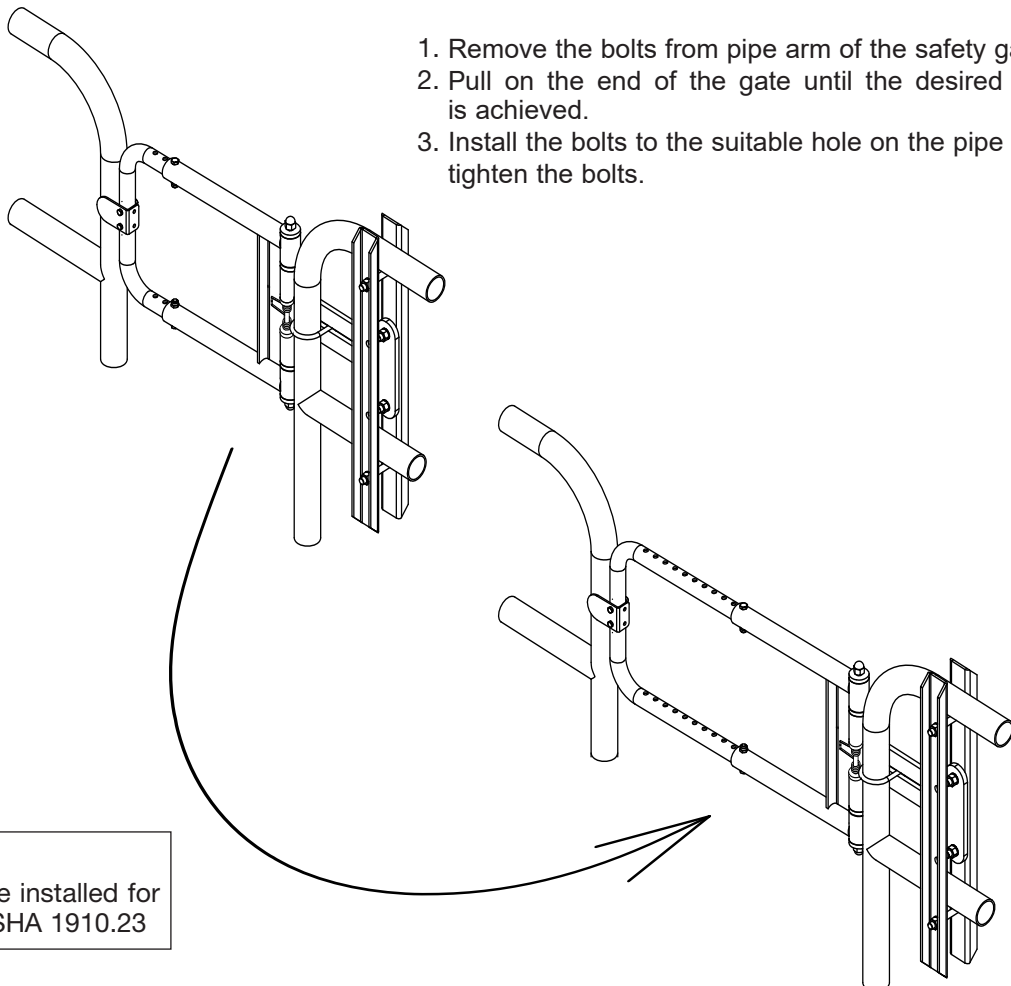
SAFETY GATE

Part List

No.	Description	Qty.	No.	Description	Qty.
1	Mounting base	1	14	Lock nut M6	2
2	Rubber pad	2	15	Fixed splint	2
3	Torsion spring	1	16	Hexagon bolt M12×35	2
4	Nylon end cap	6	17	Hexagon bolt M12 ×80	2
5	Major axis	1	18	Lock nut M12	4
6	Cap nut M12	2	19	U-bolt M8	1
7	Outer tube	1	20	Washer $\varnothing 8$	2
8	Hexagon bolt M8 ×50	2			
9	Lock nut M8	4			
10	Adjustable inner tube	1			
11	Hexagon bolt M6 ×40	2			
12	Safety baffle	1			
13	Rubber pad	1			

Adjusting the gate length:

1. Remove the bolts from pipe arm of the safety gate.
2. Pull on the end of the gate until the desired length is achieved.
3. Install the bolts to the suitable hole on the pipe arm and tighten the bolts.



WARNING

Clapper plate must be installed for this gate to satisfy OSHA 1910.23