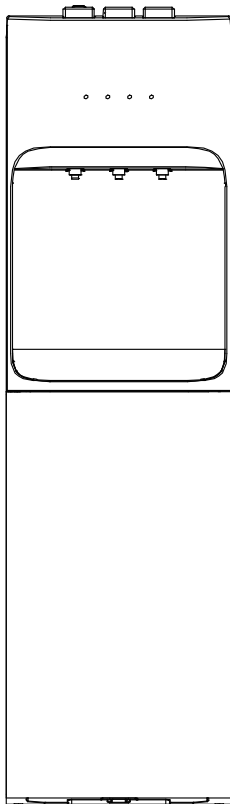


Instruction Manual	Manual de Instrucciones	Manuel d'instruction
Customer Service US: 1-800-645-2986	Servicio de atención al Cliente México: 01.800.681.6940	Service à la clientèle Canada: 888-645-2986

Tri-Temp UV Water Dispenser

WARNING: When operating the dispenser, always follow  these safety precautions:



1. Prior to use, the dispenser must be set-up and installed in accordance with this manual.
2. This unit is intended for water dispensing only. DO NOT use other liquids. DO NOT use for other purposes. Never use any other liquid in the dispenser other than known and safe tap water in accordance with local safe drinking water regulations.
3. This dispenser is for Indoor use only. Install and use only on a hard, flat and level surface. Keep the dispenser in a dry place away from direct sunlight.
4. DO NOT install or store in extreme heat or freezing temperatures.
5. DO NOT place the dispenser in an enclosed space or cabinet.
6. DO NOT operate in the presence of explosive fumes.
7. Position back of the dispenser no closer than 4 inches from the wall. Permit free airflow between the wall and the dispenser. There must be at least 4 inches clearance on the sides of the dispenser to permit airflow.
8. The dispenser is intended to be plugged into a ground fault circuit interrupter (GFCI) receptacle.
9. Do not use extension cord with your water dispenser.
10. Always grab plug and pull straight out from the outlet. Never unplug by pulling on the power cord.
11. Do NOT use dispenser if the power cord or plug is damaged.
12. To protect against electric shock, do NOT immerse cord, plug, or any other part of the dispenser in water or other liquids.
13. The dispenser must be unplugged before cleaning.
14. Never allow children to dispense hot water without proper supervision.
15. Keep dispenser upright. If the unit is placed on it's side or is leaning more than 45°, place it upright and let it stand for 24 hours prior to operation.

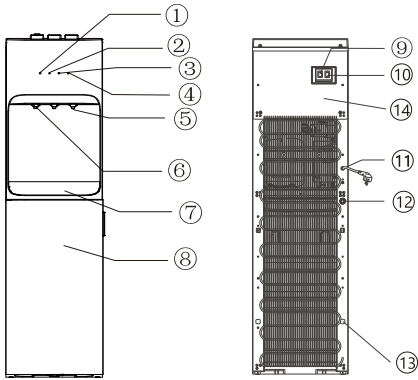


Model 670436

Read this manual thoroughly prior to installation, operation or maintenance.
Failure to execute the instructions in this manual can cause personal injury or property damage.
Water dispenses at a very high temperature. Failure to use properly can cause personal injury.
Keep these instructions for future reference. For questions, visit globalindustrial.com
or contact Customer Service at 1 (800) 645-2986.

Tri-Temp UV Water Dispenser

Parts List



No.	Name	No.	Name
1	Power Indicator	8	Door
2	Heating Indicator	9	Cooling Switch
3	UV Indicator	10	Heating Switch
4	Cooling Indicator	11	Power Cord
5	Water Spouts	12	Drain Valve
6	Night Light	13	Water Inlet
7	Drip Tray	14	Night Switch

SPECIFICATIONS	
Voltage:	110-120V
Frequency:	60Hz
Heating Power:	420W
Cooling Power:	100W
Heating Capacity:	1.3 G/h
Cooling Capacity:	0.5 G/h
Refrigerant:	R134a
Climate Type:	ST
Weight:	48.5 lbs.
Dimensions:	14.6"L x 16"W x 45"H
Hot Water Temperature:	≥ 194°F (90°C)
Cold Water Temperature:	≤ 50°F (10°C)

SET UP & OPERATION

Note: Always connect to a water main that supplies drinking water only.

Note: Filter (model 761215PF) and Filter Bracket (model 604011) sold separately.

- Place the dispenser upright.
- Position the unit at least 4 inches away from the wall on all sides (rear, left and right).
- Turn off water supply.
- Connect one end of the 10-ft 1/4" PE water line to the water inlet connection of the filter head.
- Connect the other end of the 10-ft water line to the water supply using the 1/2" water supply adapter.
- Connect the 3-ft 1/4" PE water line to the water outlet connection of the filter head.
- Connect the other end of the 3-ft water line to the water tank.
- Turn on water supply and check for leaks.
- Plug power cord into outlet. Wait at least 10 minutes before operating hot and cold water taps.
- For initial use, flush all lines clean before consuming. Place a bucket under the taps, press and hold down all water activation buttons until water flows out. Note: Initial water flow may have sputter due to air in the water lines; this will be eliminated once air is purged from all water lines.

MAINTENANCE

NOTE: Before performing maintenance, unplug the unit. Cleaning should be done every 3 months.

General Cleaning

- Use a vacuum to clean the condenser. Use a clean wet cloth to remove dirt from the unit, taps and especially the condenser.
- Empty and clean drip tray as needed.

Water tank cleaning

- Fill the main water tank with water.
- Add one to two teaspoons of liquid chlorine bleach. Let stand for five to 10 minutes.
- Open the drain valve and drain the water using a bucket.
- Let the water from filters refill tank and drain a second time.
- Also drain the water from the spout using the hot and cold water taps.

Note: Upon completion of cleaning, wait at least 10 minutes after the power cord is plugged in before turning on the hot and cold water buttons.

TROUBLESHOOTING	
Problem	Solution
Water is not coming out of the taps.	Make sure all water lines are connected properly.
Cold water is not cold.	It takes up to one hour after setup to dispense cold water. Make sure the unit is plugged in and the cold water switch is on. Excessive use of cold water; wait a few minutes for water to chill. Clean the condenser.
Hot water is not hot.	It takes up to one hour after setup to dispense hot water. Make sure the unit is plugged in and the hot water switch is on. Excessive use of hot water; wait a few minutes for water to reheat.
Dispenser is noisy.	Place the dispenser on a level, flat surface.