



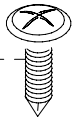
www.globalindustrial.com

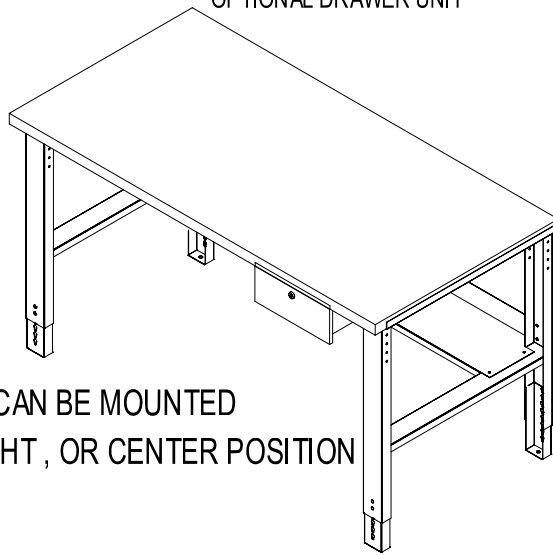
1-800-645-2986

INDUSTRIAL WORKBENCH

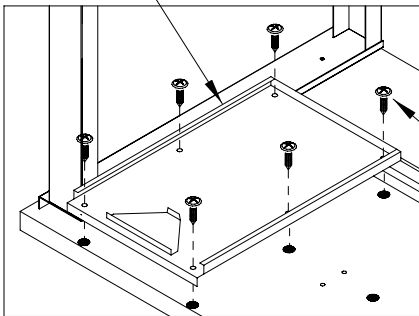
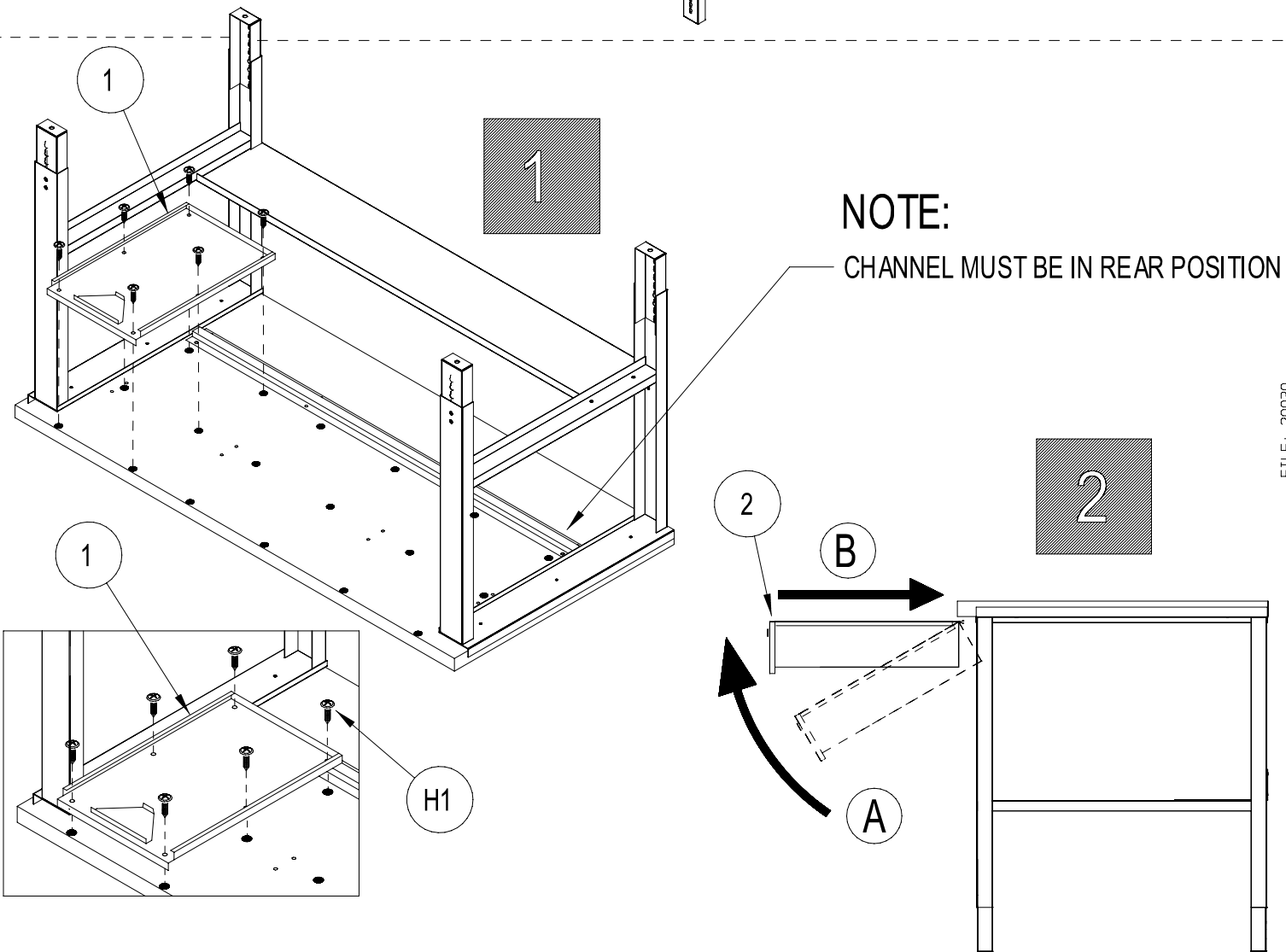
ASSEMBLY INSTRUCTION
OPTIONAL DRAWER UNIT

CONTENTS

REF.	QTY.	DESCRIPTION
1	1	BRACKET
2	1	DRAWER
H1	6	



NOTE:
DRAWER CAN BE MOUNTED
LEFT, RIGHT, OR CENTER POSITION



I45 - CHINA

P/N - 606797BL
606797GY

FILE: 20030