


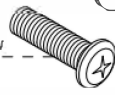



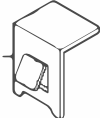

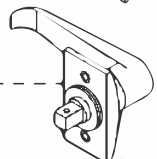






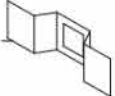

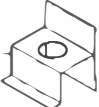
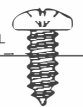



User's manual	Manual del usuario	Manuel de l'utilisateur
Customer Service US: 1-800-645-2986	Servicio de atención al Cliente US: 1-800-645-2986	Service à la clientèle Canada: 888-645-2986

Global Industrial™ Storage Cabinet, Turn Handle,
48"W x 24"D x 78"H

CONTENTS Models: 603357

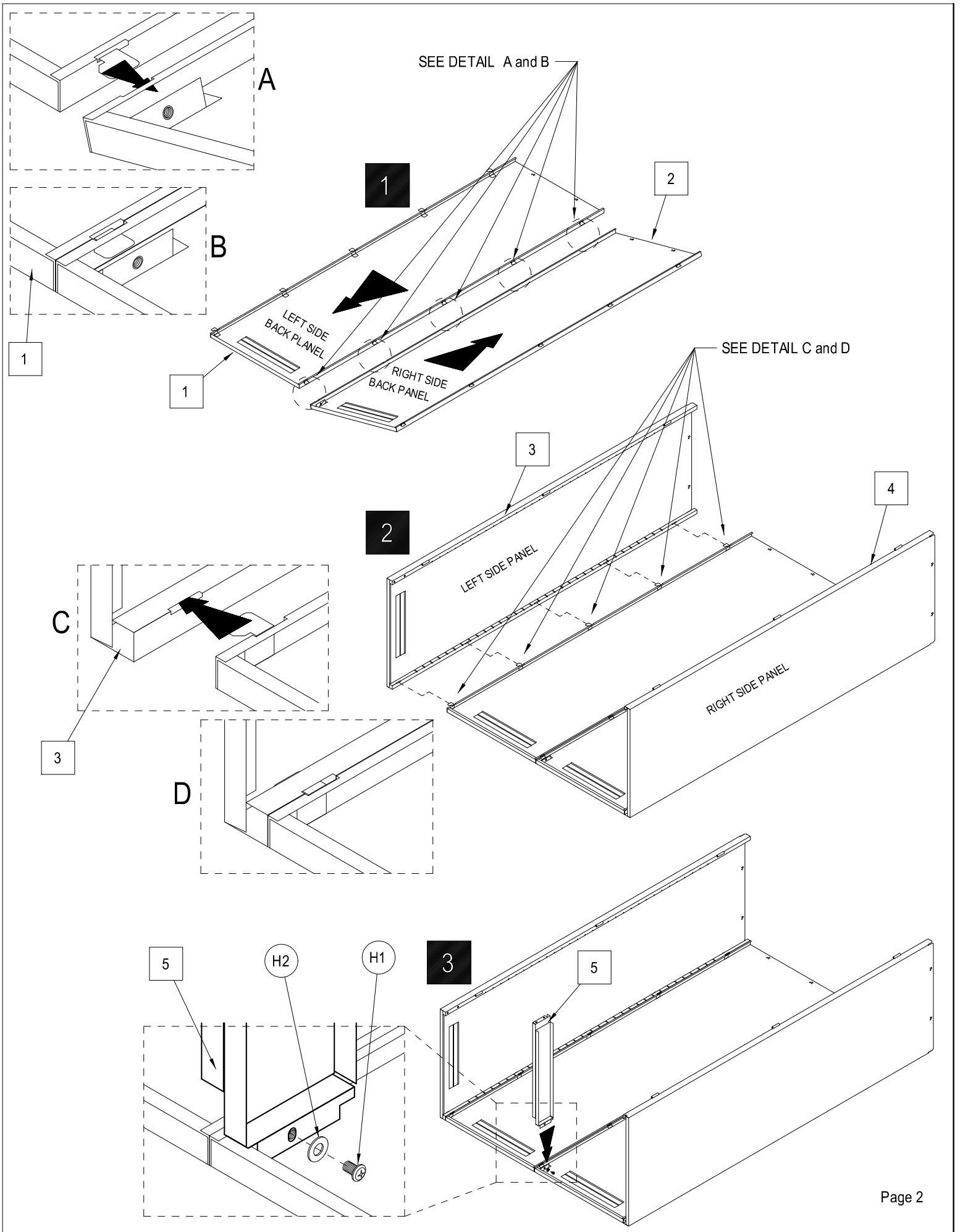
REF.	QTY.	DESCRIPTION
1	1	LEFT SIDE BACK PANEL
2	1	RIGHT SIDE BACK PANEL
3	1	LEFT SIDE PANEL
4	1	RIGHT SIDE PANEL
5	1	SUPPORT BEAM
6	1	BOTTOM FRONT CHANNEL
7	1	BOTTOM FRONT KICK PLATE
8	1	BOTTOM SHELF
9	1	TOP PANEL
10	1	LEFT DOOR
11	1	RIGHT DOOR
12	4	SHELF
13	4	GUSSET REINFORCEMENT PLATE

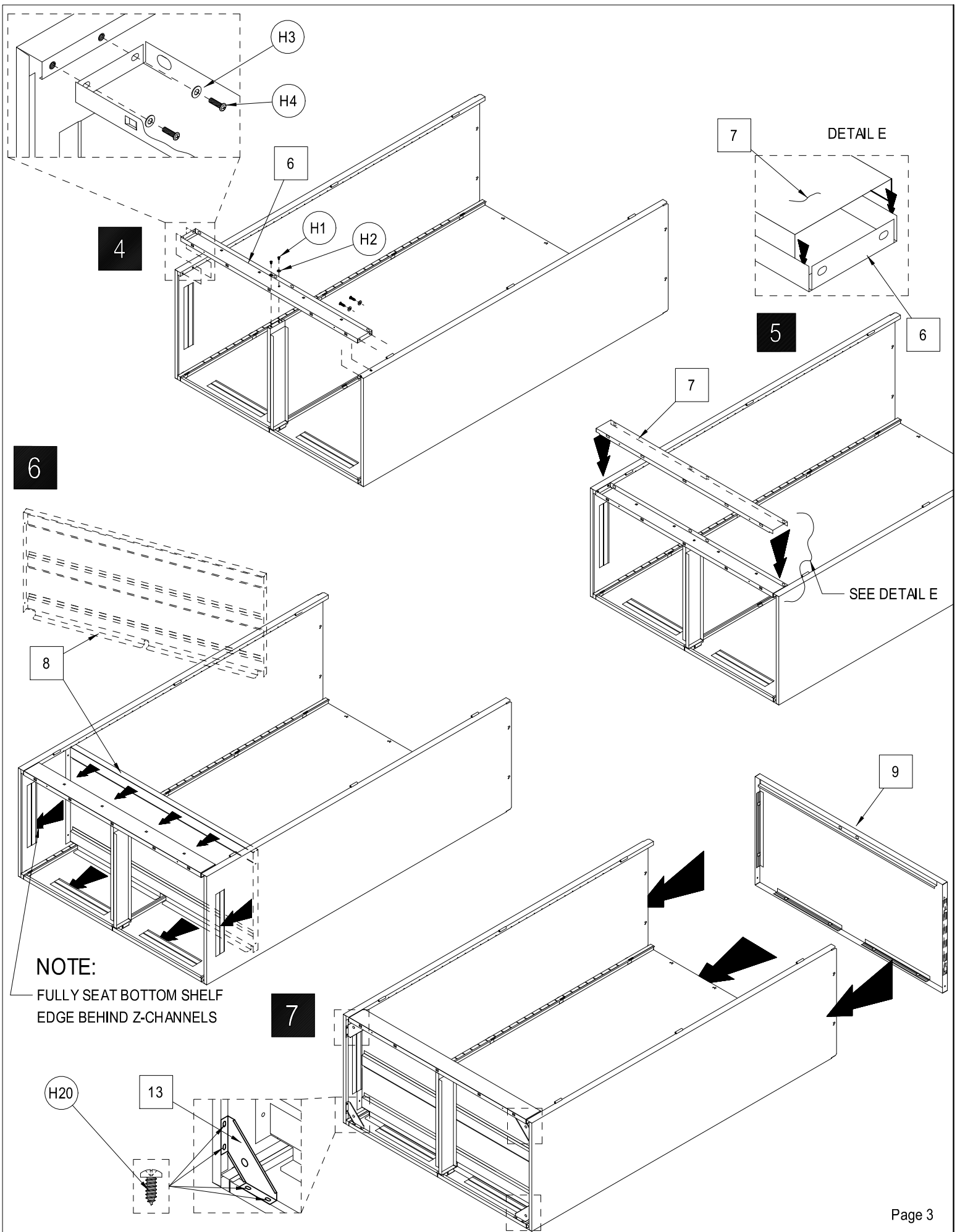
REF.	QTY.	DESCRIPTION
H1	3	M5 x 10mm ROUND PHILLIP HEAD SCREW 
H2	3	5.25mm PLAIN WASHER 
H3	4	6.5 PLAIN WASHER 
H4	4	M6 x 19mm ROUND PHILLIP HEAD SCREW 
H5	6	HINGE PIN 
H6	2	BUMPER 
H7	12	PLASTIC HINGE CAP 
H8	16	SHELF CLIP 
H9	6	PLASTIC INSERT 
H10	1	RIGHT HAND DOOR HANDLE 
H11	2	BACK PLATE 
H12	4	5.5mm SPLIT WASHER 
H13	4	M5 x 8mm ROUND PHILLIP HEAD SCREW 
H14	1	COTTER PIN 
H15	1	LOCK LATCH 
H16	2	LOCKING ROD 
H17	1	LOCKING BRACKET 
H18	1	LEFT HAND DOOR HANDLE 
H19	2	ROD GUIDE 
H20	16	SHEET METAL 
	2	KEY 

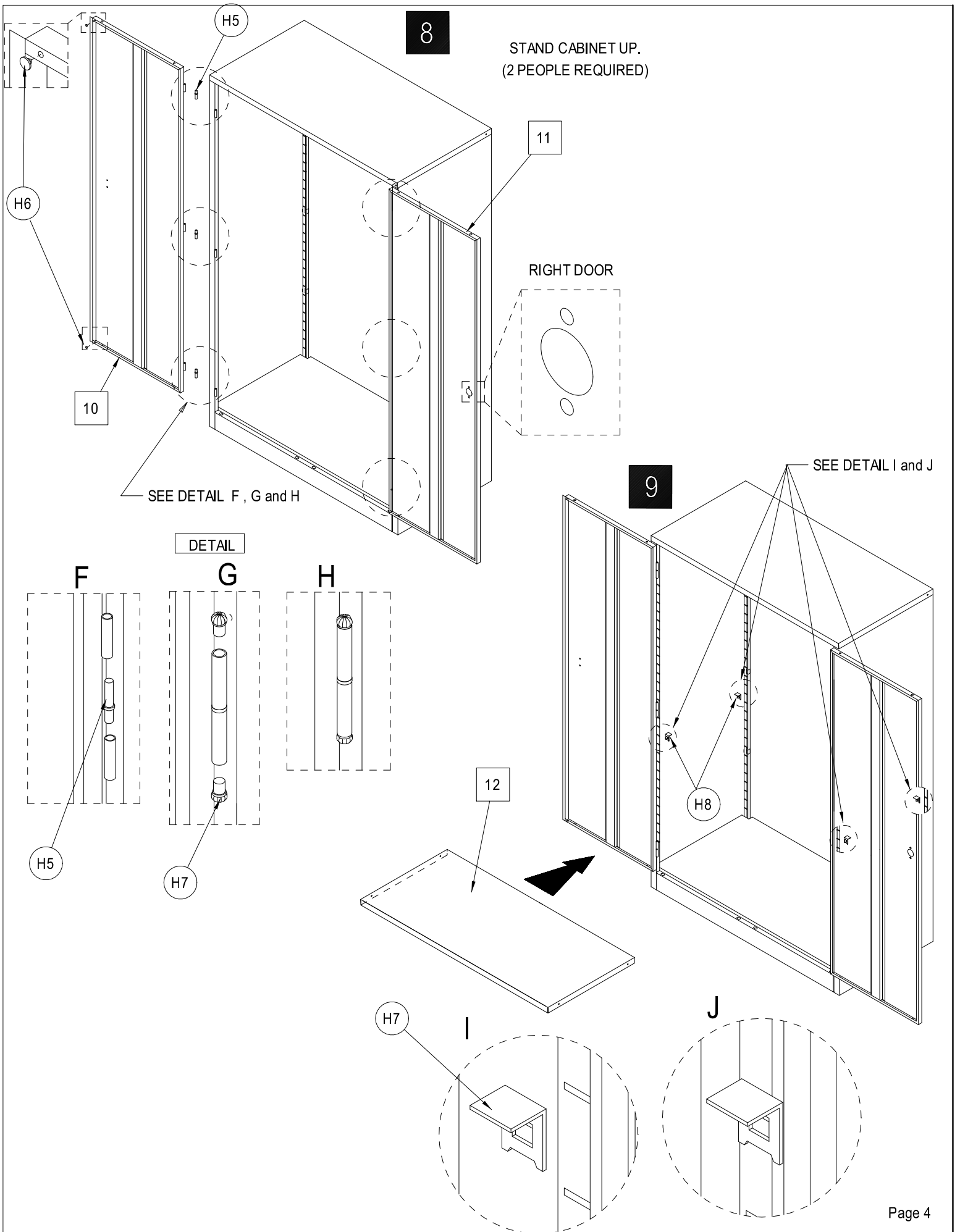


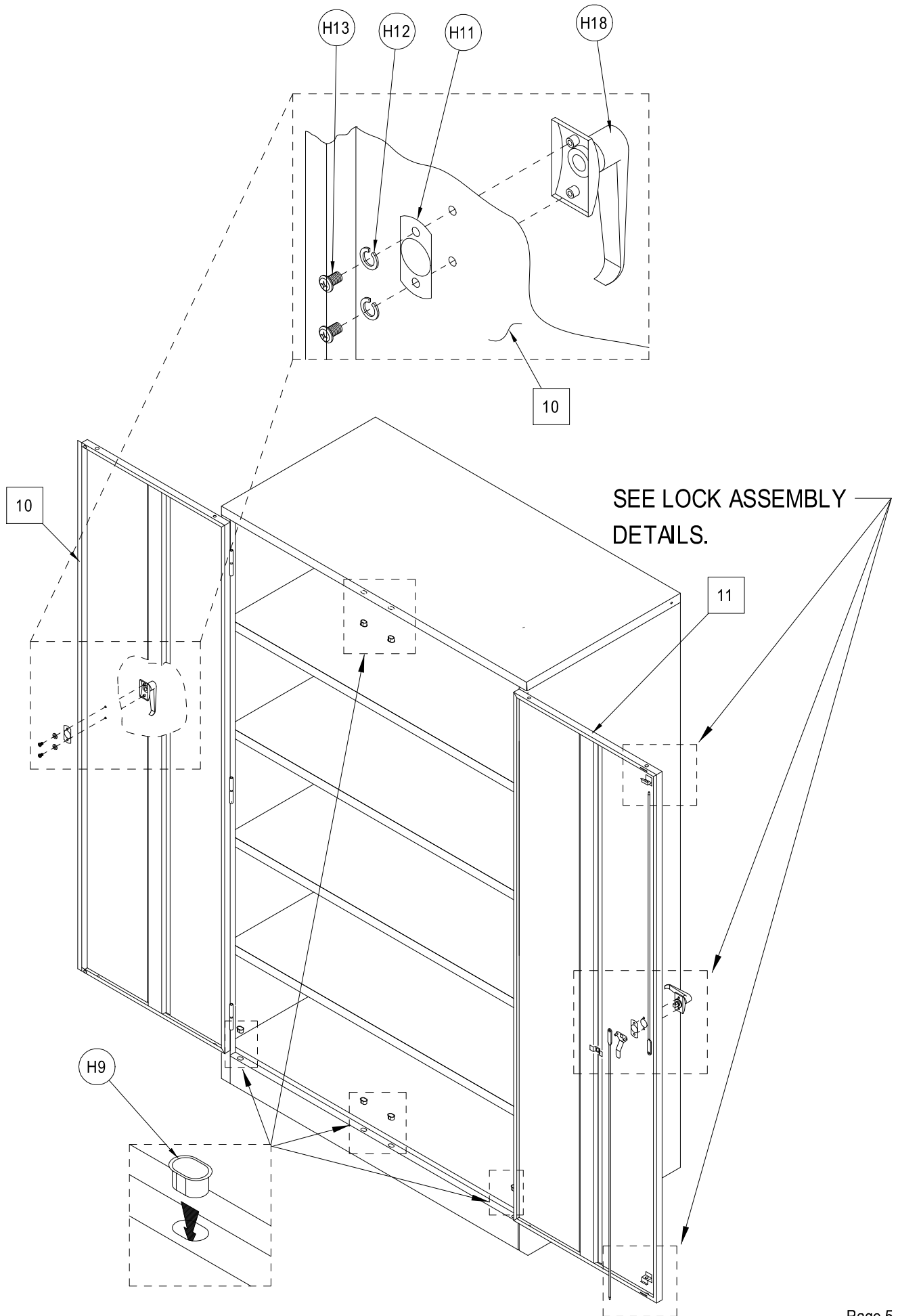
WARNING.

1. USE 2 PEOPLE TO ASSEMBLE.
2. LAY PARTS ON SOFT SMOOTH NON-SCRATCH SURFACE.
3. DO NOT OVERLOAD SHELVES.
4. LOAD LOWER SHELVES FIRST.
5. DO NOT CLIMB OR STAND ON SHELVES.

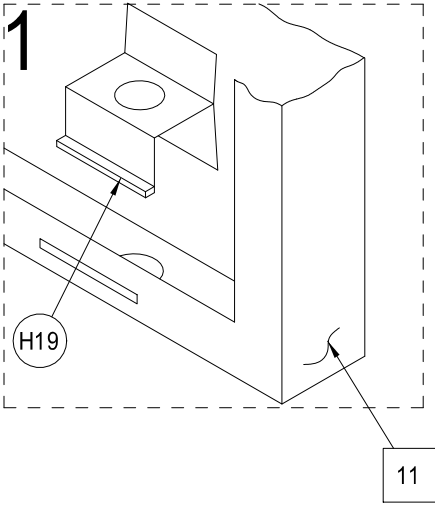




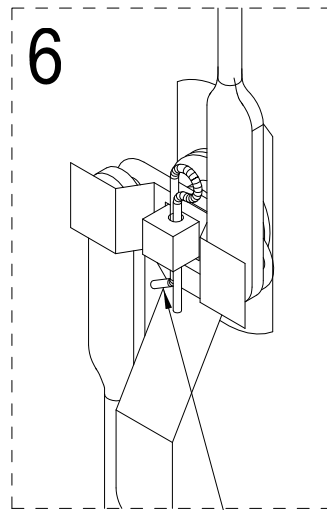
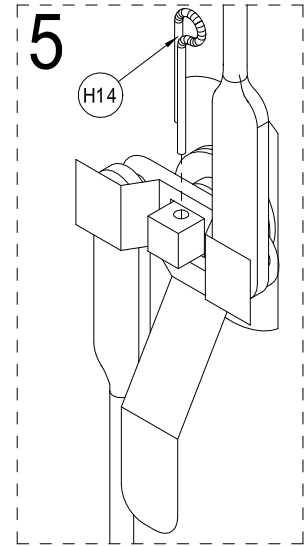
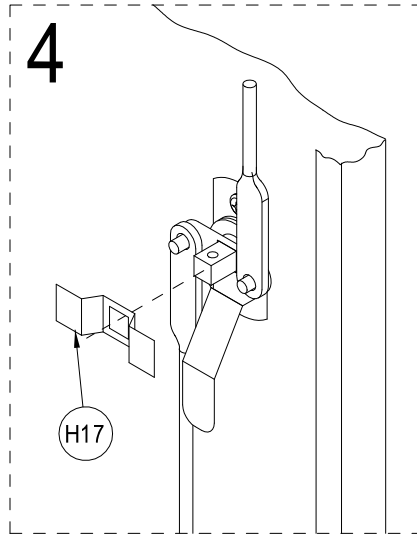
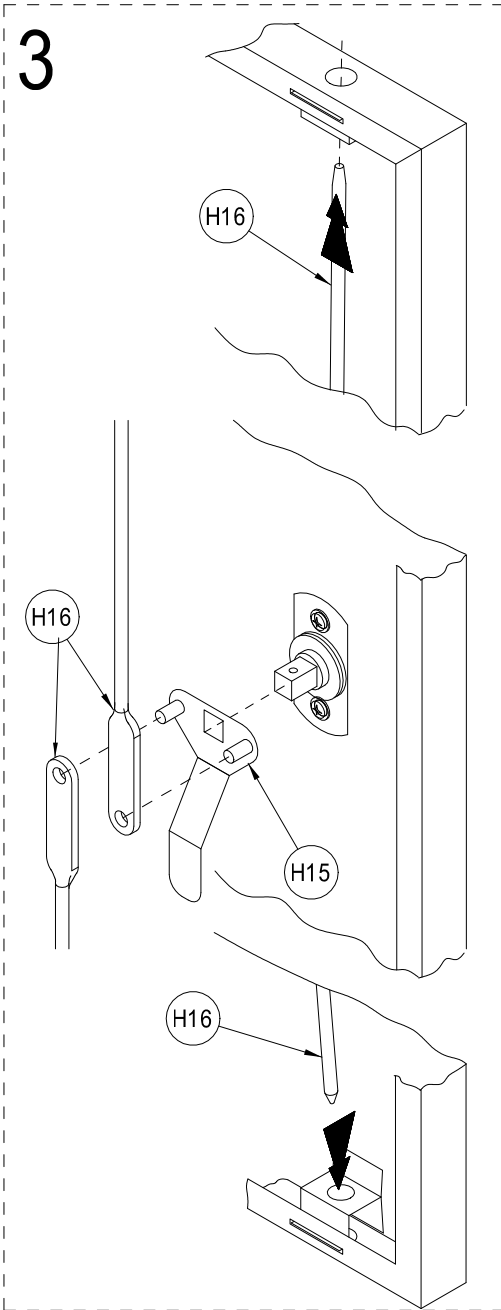
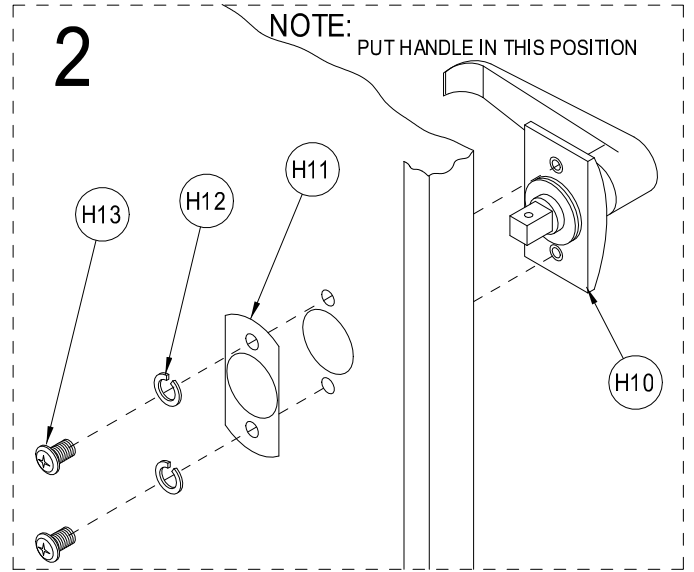




LOCK ASSEMBLY



RIGHT DOOR ROD
ASSEMBLY



BEND 1 LEG OF
COTTER PIN WITH PLIERS.