

User's manual	Manual del usuario	Manuel de l'utilisateur
Customer Service US: 1-800-645-2986	Servicio de atención al Cliente US: 1-800-645-2986	Service à la clientèle Canada: 888-645-2986

Cantilever Rack

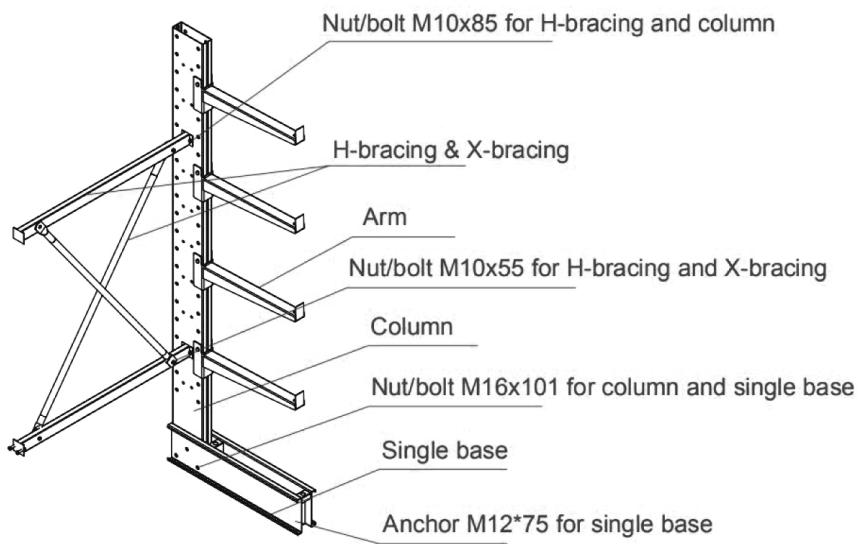
Starter Set Models:

320821, 320822, 320823, 320824, 320825, 320826, 320827, 320828, 320829, 320830

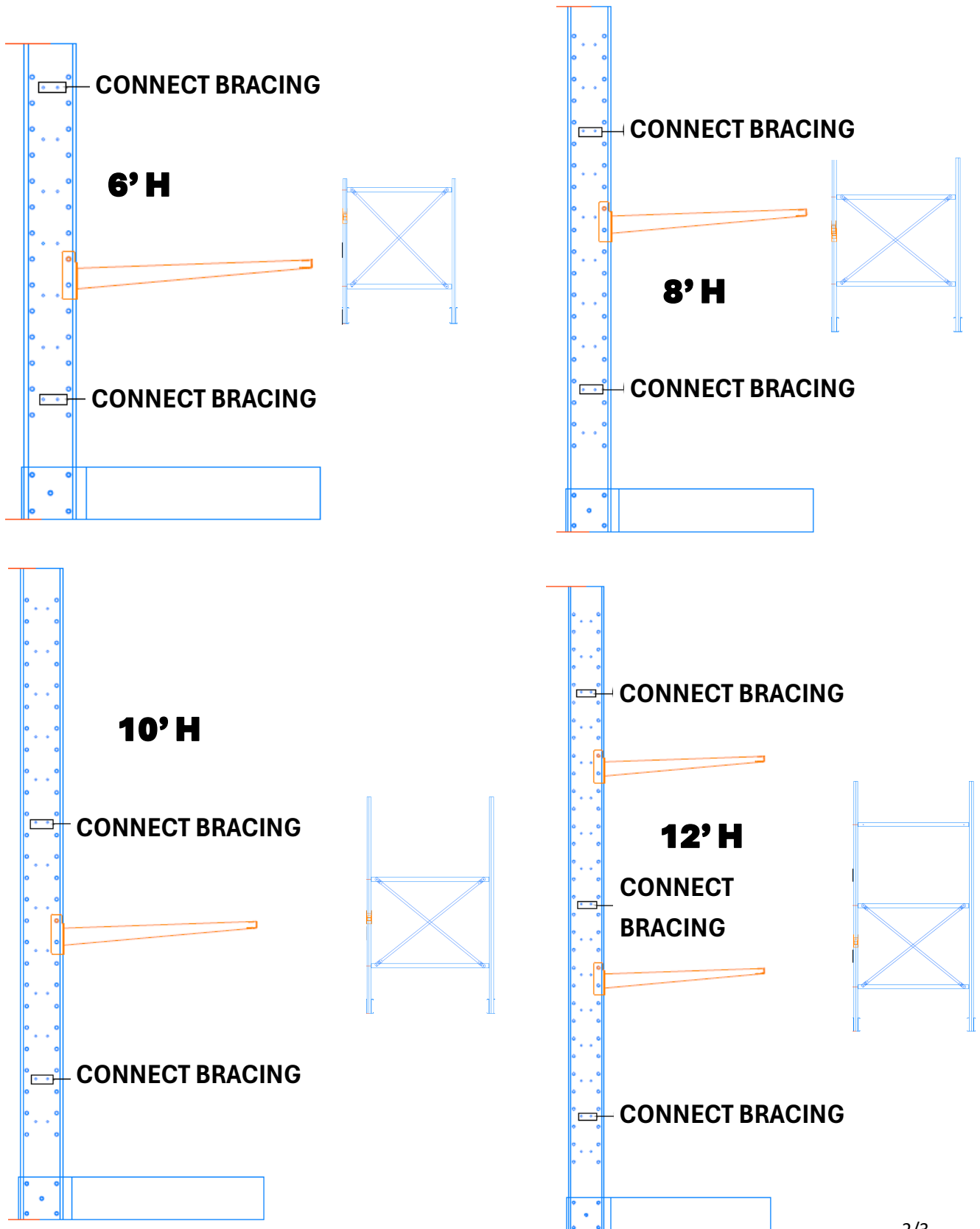
Components: columns, single or double base, brace kit (H & X bracing), arms, arm stopper (option), safety pins, nuts and bolts, anchors.

The **installation steps** are as follows:

1. The single column and the base are fixed with M16x101 bolts
2. After adjusting the center distance of the column to right position, use M10x85 bolts to connect H-bracing to the column, and then use M10x55 bolts to connect X-bracing
3. After the base position is determined, using anchors M12x75 to fix on the ground (two anchors are for single base and four anchors are for double base).
4. Put the $\phi 16 \times 87$ safety pin into the arm at a suitable hole on the column



Connecting H-Bracing



LOADING INSTRUCTION WARNING

1. The length of the cargo carried by arm should not exceed the length of arm. The center of gravity of the cargo is generally required to be less than or equal to 1/2 of the arm length (generally the arm length is 4" longer than the cargo length).
2. The width of cargo should not exceed the 2 times of width of cantilever.
3. The cargo must not exceed the bearing loading capacity indicated on the label
MAX 1200lbs Per Arm [UDL]

