



User's manual

Manual del usuario

Manuel de l'utilisateur

Customer Service  
US: 1-800-645-2986

Servicio de atención al Cliente  
US: 1-800-645-2986

Service à la clientèle  
Canada: 888-645-2986

# Foldable Mobile Pedestal Fan

Models: 293113, 293114

## IMPORTANT INSTRUCTIONS, SAVE FOR FUTURE REFERENCE

### CAUTION

Read and follow all instructions before operating fan. Do not use fan if any part is damaged or missing.

### WARNING

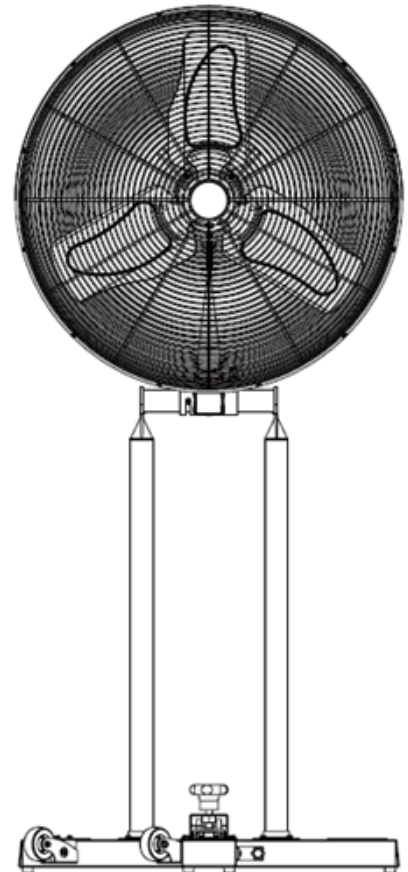
- To reduce the risk of fire or electrical shock, do not expose to water or rain.
- To reduce the risk of fire or electrical shock, do not use this fan with any solid state speed control device.
- Automatically operated device - To reduce the risk of injury, disconnect from power supply before servicing.
- If the power supply cord is damaged, contact your local service centre or a qualified electrician to install an appropriate replacement cord to prevent any injury or damage.
- The appliance does not apply to be used in locations where special conditions prevail, such as the presence of a corrosive or explosive atmosphere ( dust, vapour or gas ).
- This appliance is not intended for use by persons (including children) with reduced physical, sensory or mental capabilities, or lack of experience and knowledge, unless they have been given supervision or instruction concerning use of the appliance by a person responsible for their safety.
- Children should be supervised to ensure that they do not play with the appliance.

### RULES FOR SAFE OPERATION

- Never insert fingers or any other objects through the grill guard when fan is in operation.
- Disconnect the fan from its power source when moving from one location to another.
- Disconnect the fan from its power source when removing guards for cleaning.
- Be sure fan is on a stable, flat surface when in operation.
- Do not use fan in windows. Rain and moisture may create electrical hazard. Close supervision is necessary when this fan is used near children, the elderly and pets.
- Do not place the fan near an open flame, cooking or heating appliance, or hot surface.
- This fan should not be operated outside.

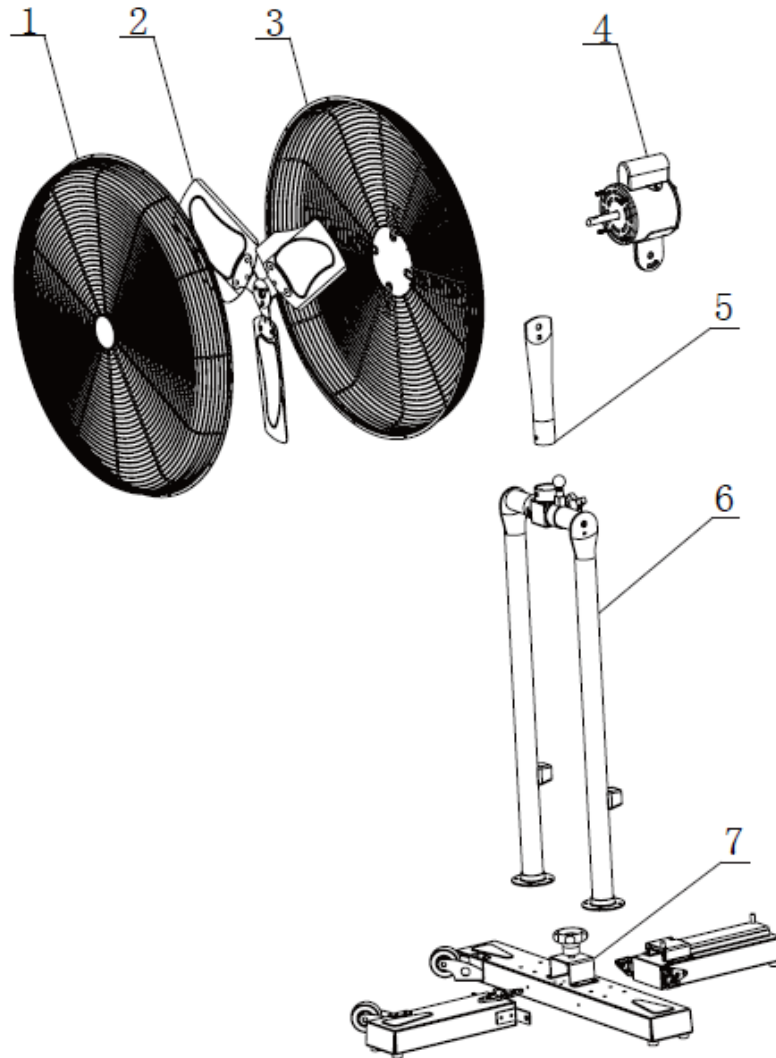
**CAUTION:** Do not alter the fan's assembly.

**WARNING:** Be sure that both front and rear guard screws are completely tightened in locking position before operation.



# Foldable Mobile Pedestal Fan

## 1 Main Parts of Fan



### Parts List

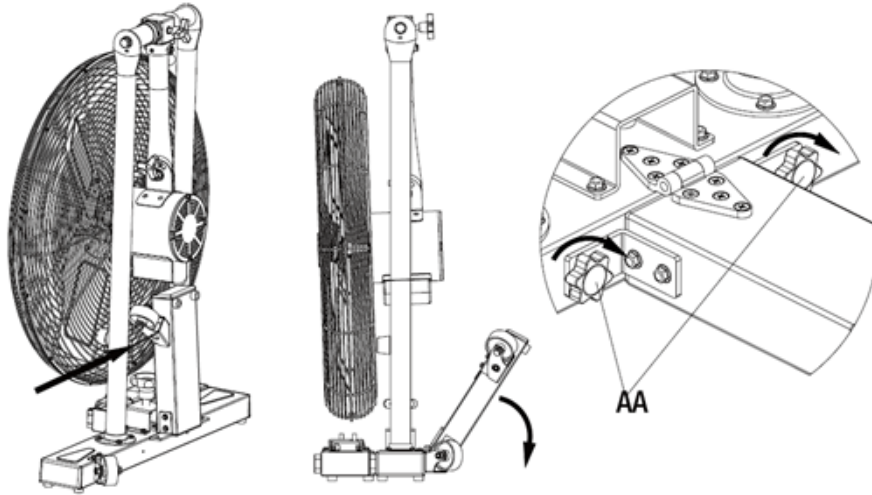
PART NO.	DESCRIPTION	QTY
1	Front Guard	1
2	Blade	1
3	Rear Guard	1
4	Motor	1
5	Upper Pole	1
6	Pole	1
7	Base Bracket	1

# Foldable Mobile Pedestal Fan

## 2 Assembly Instructions

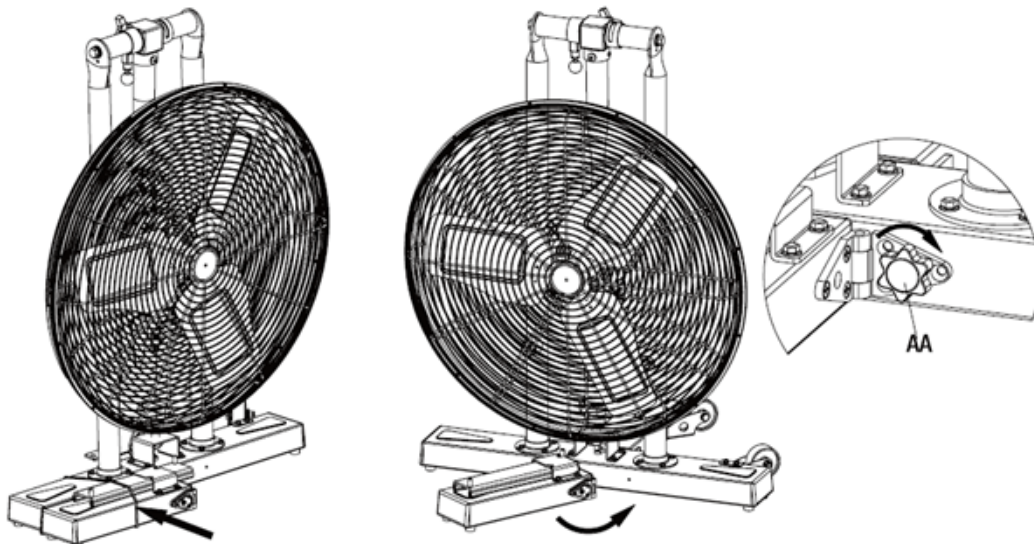
### 1. Unfolding the front foot

Cut the zip tie and lower the front foot onto a flat, level surface. Install and tighten two of the provided threaded knobs (AA) at each side of the angle brackets on the front foot.



### 2. Unfolding the rear foot

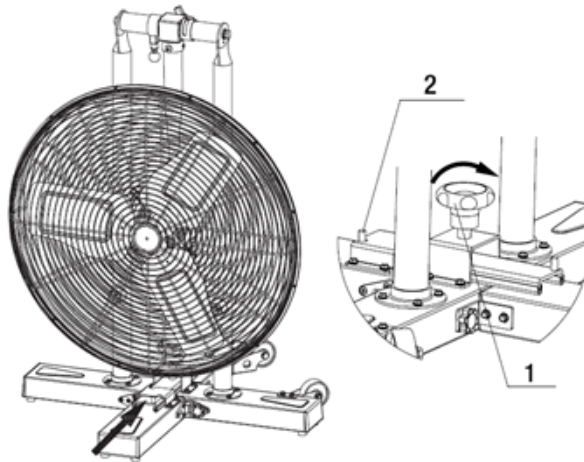
Cut the zip tie and rotate the rear foot onto a flat, level surface. Install and tighten one of the provided threaded knobs (AA) at the side of the angle bracket on the rear foot.



# Foldable Mobile Pedestal Fan

## 3. Extending the base

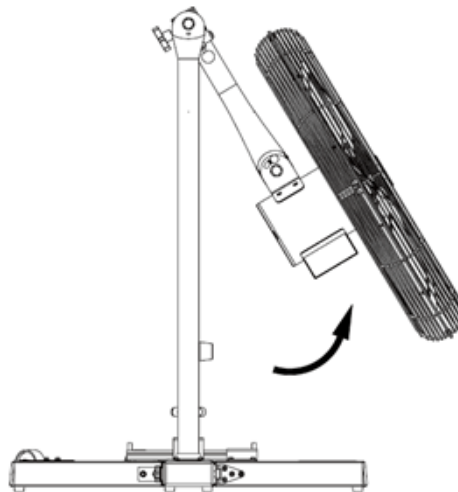
Untighten the knob (1) and slide the bar as far as it will go to the indentation (2). Screw the knob (1) until tight to secure the base of the fan in place.



**Warning** Must complete this step before operating fan in floor or pedestal position.

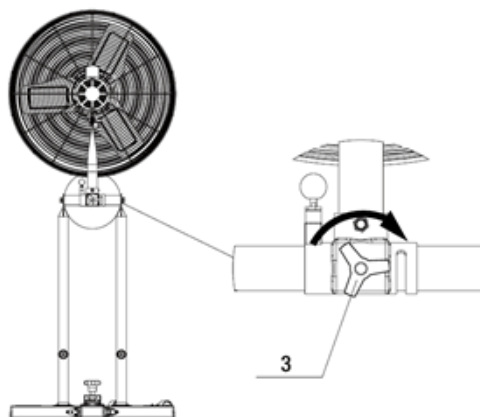
## 4. Raising the fan head

Untighten the triangular knob and lift up and hold the fan head until you hear a clip/snap sound and stop.



## 5. Securing the fan head in place

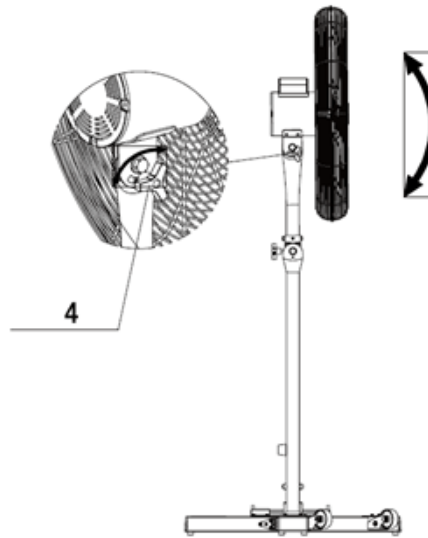
Secure the fan head in place by tightening the triangular knob (3).



# Foldable Mobile Pedestal Fan

## 6. Adjust the tilt

Adjust the tilt angle by tightening the knob (4) in the upper pole.

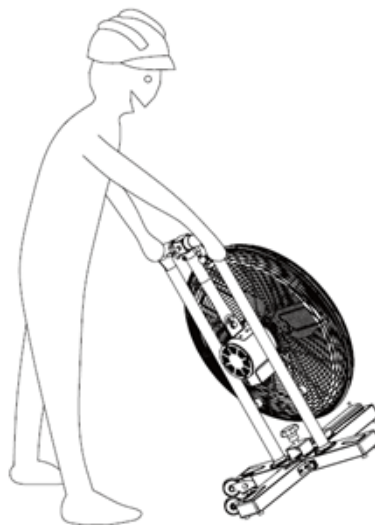


## 3 Operating Instructions

Units are operated, or speeds are selected using pull chain switch located on back of motor. To avoid possibility of overturning the fan, operate on a stable, level surface. Do not move fan while it is in operation.

### MOVING THE FAN WITH WHEELS

Ensure the fan is unplugged from the power source before adjusting the height or angle. Place the fan on a safe, flat surface where it cannot fall or be pulled by the cord. Fold the fan so that it is in floor mode and use the wheels on the base to move the fan.



# Foldable Mobile Pedestal Fan

## 4 Care and Maintenance

---

Unplug the appliance before cleaning. Don't use any water for cleaning metal surfaces. Slightly moisten a cloth and then wipe off the surfaces of the fan. In order to remove dust from the grill, use a vacuum cleaner or remove the front grill by removing the securing screws on the edge of the grill. After cleaning, remount the grill. After doing this, fasten the screws on the edge of the grill.