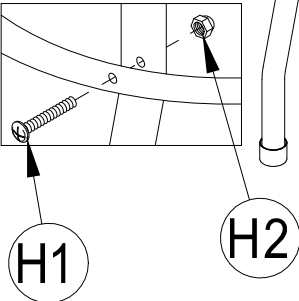
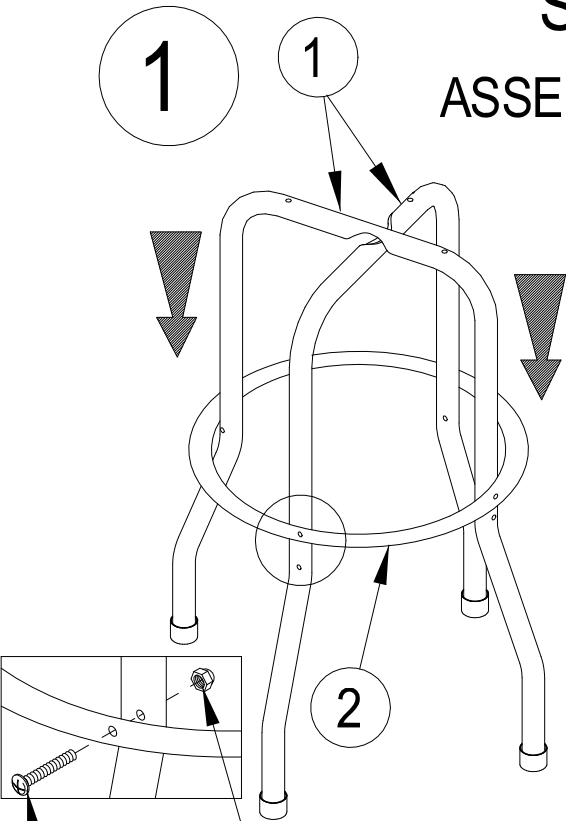
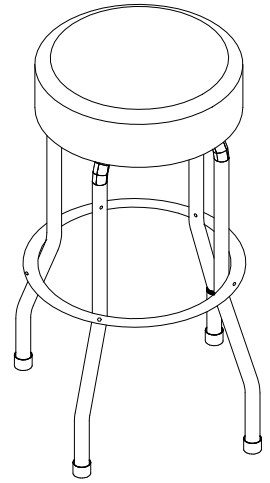


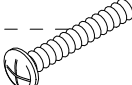




www.globalindustrial.com

1-800-645-2986

SWIVEL STOOL ASSEMBLY INSTRUCTIONS



CONTENTS		
REF.	QTY.	DESCRIPTION
1	2	LEG
2	1	RING
3	1	SWIVEL BASE
4	1	SEAT
H1	4	
H2	4	
H3	4	
H4	4	