



TOWEL AND TISSUE



Solaris Paper®

D68001

D68002

D68003

Electronic Hard Wound Roll Towel Dispenser

Touchless electronic towel dispenser with state of the art electronic circuitry. This high capacity dispenser delivers a superior hygienic solution while lowering costs. The LoCor® electronic towel system reduces labor, lowers costs and creates a cleaner, safer restroom.

- Key lock discourages theft
- Accommodates LoCor® roll towels, both 7" and 8" widths
- Variable sheet length settings
- Simple, easy to use stub roll system
- Easy to load paper, batteries and change settings
- Long battery life with up to 75,000 activations or approximately 2 years
- Smooth and reliable operation

SKU	LoCor® Dispenser	Finish	Case Dimensions	Qty	Case Wt	Product Dimensions	Product Wt
D68001	Electronic HWRT Dispenser	Stainless	14.17" x 17.35" x 10.67"	1	8.2 lb.	13.55" x 16.41" x 10.16"	5.4 lb.
D68002	Electronic HWRT Dispenser	White	14.17" x 17.35" x 10.67"	1	8.2 lb.	13.55" x 16.41" x 10.16"	5.4 lb.
D68003	Electronic HWRT Dispenser	Black	14.17" x 17.35" x 10.67"	1	8.2 lb.	13.55" x 16.41" x 10.16"	5.4 lb.

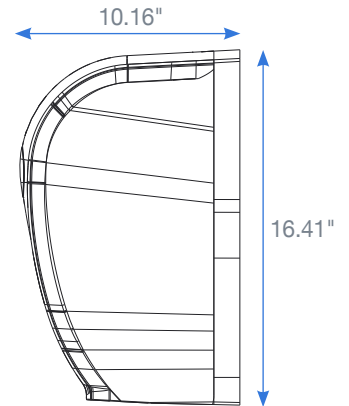
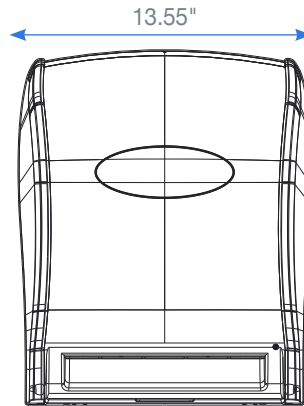
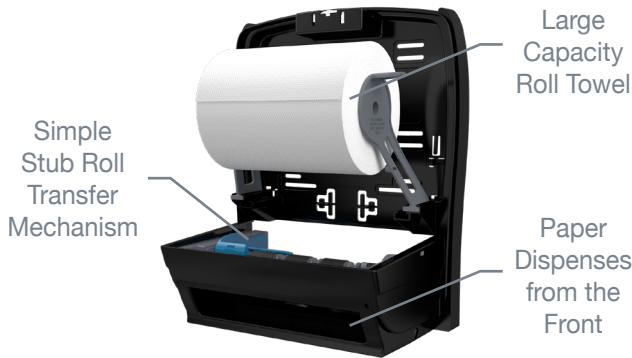


High Quality Look and Low Operating Cost

Together, LoCor® dispensers and the innovative reduced core design of LoCor® towel and tissue products reduce labor, lower costs and create a cleaner, safer restroom. LoCor® paper products are derived from Rapidly Renewable Fiber (RRF). RRF products contribute to an environmentally friendly building operation, and meet the requirements of the U.S. Green Building Council (USGBC) LEED® standards.



by SOLARIS PAPER®



SKU	Product Description	Color	Ply	Emboss	Size (WxL)	Count	Items/Case	Total Case
46896	LoCor® HWRT (Mid Premium)	White	1-Ply	Full	8" x 800"	800 ft.	6 rolls	4,800 ft.
46897	LoCor® HWRT (Mid Premium)	White	1-Ply	Full	7" x 800"	800 ft.	6 rolls	4,800 ft.
46898	LoCor® HWRT (Economy)	White	1-Ply	Full	7" x 850"	850 ft.	6 rolls	5,100 ft.
46899	LoCor® HWRT (Premium)	White	1-Ply	Full	7" x 600"	600 ft.	6 rolls	3,600 ft.
46901	LoCor® HWRT (High Capacity)	White	1-Ply	Full	8" x 1000'	1000 ft.	6 rolls	6,000 ft.
46902	LoCor® HWRT (High Capacity)	White	1-Ply	Full	7" x 1000'	1000 ft.	6 rolls	6,000 ft.



SolarisPaper.com/afh
1-888-998-4778