

1224 Threading Machine



Table of Contents

Recording Form For Machine Serial Number	1
Safety Symbols	2
General Power Tool Safety Warnings	
Work Area Safety	2
Electrical Safety	2
Personal Safety	3
Tool Use And Care.....	3
Service	4
Specific Safety Information	
Threading Machine Safety Warnings	4
Description, Specifications And Standard Equipment	
Description	4
Specifications	5
Standard Equipment	6
Machine Assembly	
Mounting on Stands	6
Mounting on Bench	6
Pre-Operation Inspection	6
Machine and Work Area Set-Up	6
Die Head Set-Up and Use	
Removing/Installing Die Head	7
Quick-Opening Die Heads	8
Inserting/Changing the Dies	8
Adjusting Thread Size	8
Opening the Die Head at the End of the Thread	8
Self-Opening Die Heads	8
Inserting/Changing the Dies	9
Adjusting Thread Size	9
Trigger Slide Adjustment.....	9
Opening the Die Head at the End of the Thread	9
714/914 Receding Self-Opening Die Heads	10
Inserting/Changing the Dies	10
Adjusting Thread Size	10
Adjusting for Tapered or Straight Pipe Thread.....	11
Preparing the Die Head to Thread	11
Opening the Die Head at the End of the Thread.....	12
Operating Instructions	
Changing Operating Speeds	13
Carriage Handwheel Adjustment	13
Cutting with No. 764 Cutter	13
Reaming with No. 744 Reamer	14
Threading Pipe.....	14
Threading Bar Stock/Bolt Threading	15
Left Hand Threading	15
Beveling Pipe	15
Removing Pipe from the Machine	15
Inspecting Threads.....	16
Preparing Machine for Transport	16
Maintenance Instructions	
Cleaning	16
Top Cover/Removal/Installation	16
Lubrication	17
Oil System Maintenance	17
Replacing No. 764 Cutter Wheel	18
Replacing Jaw Inserts	18
V-Belt Tension/Replacement	18
Optional Equipment	19
Thread Cutting Oil Information	19
Machine Storage	19
Service And Repair	19
Disposal	19
Troubleshooting	20
Lifetime Warranty	Back Cover

*Original Instructions - English

Threading Machine

1224



⚠ WARNING!

Read this Operator's Manual carefully before using this tool. Failure to understand and follow the contents of this manual may result in electrical shock, fire and/or serious personal injury.

1224 Threading Machine


Record Serial Number below and retain product serial number which is located on name plate.


Serial
No.


--	--


Safety Symbols


In this operator's manual and on the product, safety symbols and signal words are used to communicate important safety information. This section is provided to improve understanding of these signal words and symbols.


 This is the safety alert symbol. It is used to alert you to potential personal injury hazards. Obey all safety messages that follow this symbol to avoid possible injury or death.


 **DANGER** DANGER indicates a hazardous situation which, if not avoided, will result in death or serious injury.


 **WARNING** WARNING indicates a hazardous situation which, if not avoided, could result in death or serious injury.


 **CAUTION** CAUTION indicates a hazardous situation which, if not avoided, could result in minor or moderate injury.


 **NOTICE** NOTICE indicates information that relates to the protection of property.

 This symbol means read the operator's manual carefully before using the equipment. The operator's manual contains important information on the safe and proper operation of the equipment.


 This symbol means always wear safety glasses with side shields or goggles when handling or using this equipment to reduce the risk of eye injury.


 This symbol indicates the risk of fingers, hands, clothes and other objects catching on or between gears or other rotating parts and causing crushing injuries.


 This symbol indicates the risk of fingers, legs, clothes and other objects catching and/or wrapping on rotating shafts causing crushing or striking injuries.


 This symbol indicates the risk of electrical shock.

 This symbol indicates the risk of machine tipping, causing striking or crushing injuries.


 This symbol means do not wear gloves while operating this machine to reduce the risk of entanglement.

 This symbol means always use a foot switch when using a threading machine/power drive to reduce the risk of injury.

 This symbol means do not disconnect foot switch to reduce the risk of injury.

 This symbol means do not block foot switch (lock in ON position) to reduce the risk of injury.

General Power Tool Safety Warnings*

 **WARNING**
Read all safety warnings, instructions, illustrations and specifications provided with this power tool. Failure to follow all instructions listed below may result in electric shock, fire and/or serious injury.

SAVE ALL WARNINGS AND INSTRUCTIONS FOR FUTURE REFERENCE!

The term "power tool" in the warnings refers to your mains-operated (corded) power tool or battery-operated (cordless) power tool.

Work Area Safety

- **Keep work area clean and well lit.** Cluttered or dark areas invite accidents.
- **Do not operate power tools in explosive atmospheres, such as in the presence of flammable liquids, gases, or dust.** Power tools create sparks which may ignite the dust or fumes.
- **Keep children and by-standers away while operating a power tool.** Distractions can cause you to lose control.

Electrical Safety

- **Power tool plugs must match the outlet. Never modify the plug in any way. Do not use any adapter**

* The text used in the General Power Tool Safety Warnings section of this manual is verbatim, as required, from the applicable UL/CSA 62841-1 edition standard. This section contains general safety practices for many different types of power tools. Not every precaution applies to every tool, and some do not apply to this tool.

plugs with earthed (grounded) power tools. Unmodified plugs and matching outlets will reduce risk of electric shock.

- **Avoid body contact with earthed or grounded surfaces such as pipes, radiators, ranges and refrigerators.** There is an increased risk of electrical shock if your body is earthed or grounded.
- **Do not expose power tools to rain or wet conditions.** Water entering a power tool will increase the risk of electrical shock.
- **Do not abuse the cord. Never use the cord for carrying, pulling or unplugging the power tool. Keep cord away from heat, oil, sharp edges or moving parts.** Damaged or entangled cords increase the risk of electric shock.
- **When operating a power tool outdoors, use an extension cord suitable for outdoor use.** Use of a cord suitable for outdoor use reduces the risk of electric shock.
- **If operating a power tool in a damp location is unavoidable, use a ground fault circuit interrupter (GFCI) protected supply.** Use of a GFCI reduces the risk of electric shock.

Personal Safety

- **Stay alert, watch what you are doing and use common sense when operating a power tool. Do not use a power tool while you are tired or under the influence of drugs, alcohol, or medication.** A moment of inattention while operating power tools may result in serious personal injury.
- **Use personal protective equipment. Always wear eye protection.** Protective equipment such as dust mask, non-skid safety shoes, hard hat, or hearing protection used for appropriate conditions will reduce personal injuries.
- **Prevent unintentional starting. Ensure the switch is in the OFF position before connecting to power source and/or battery pack, picking up or carrying the tool.** Carrying power tools with your finger on the switch or energizing power tools that have the switch ON invites accidents.
- **Remove any adjusting key or wrench before turning the power tool ON.** A wrench or a key left attached to a rotating part of the power tool may result in personal injury.
- **Do not overreach. Keep proper footing and balance at all times.** This enables better control of the power tool in unexpected situations.

- **Dress properly. Do not wear loose clothing or jewelry. Keep your hair, and clothing away from moving parts.** Loose clothes, jewelry, or long hair can be caught in moving parts.
- **If devices are provided for the connection of dust extraction and collection facilities, ensure these are connected and properly used.** Use of dust collection can reduce dust-related hazards.
- **Do not let familiarity gained from frequent use of tools allow you to become complacent and ignore tool safety principles.** A careless action can cause severe injury within a fraction of a second.

Power Tool Use and Care

- **Do not force power tool. Use the correct power tool for your application.** The correct power tool will do the job better and safer at the rate for which it is designed.
- **Do not use power tool if the switch does not turn it ON and OFF.** Any power tool that cannot be controlled with the switch is dangerous and must be repaired.
- **Disconnect the plug from the power source and/or remove the battery pack, if detachable, from the power tool before making any adjustments, changing accessories, or storing power tools.** Such preventive safety measures reduce the risk of starting the power tool accidentally.
- **Store idle power tools out of the reach of children and do not allow persons unfamiliar with the power tool or these instructions to operate the tool.** Power tools are dangerous in the hands of untrained users.
- **Maintain power tools and accessories. Check for misalignment or binding of moving parts, breakage of parts and any other condition that may affect the power tool's operation. If damaged, have the power tool repaired before use.** Many accidents are caused by poorly maintained power tools.
- **Keep cutting tools sharp and clean.** Properly maintained cutting tools with sharp cutting edges are less likely to bind and are easier to control.
- **Use the power tool, accessories and tool bits etc. in accordance with these instructions, taking into account the working conditions and the work to be performed.** The use of the power tool for operations different from those intended could result in a hazardous situation.
- **Keep handles and grasping surfaces dry, clean and free from oil and grease.** Slippery handles and

grasping surfaces do not allow for safe handling and control of the tool in unexpected situations.

Service

- **Have your power tool serviced by a qualified repair person using only identical replacement parts.** This will ensure that the safety of the power tool is maintained.

Specific Safety Information

WARNING

This section contains important safety information that is specific to this tool.

Read these precautions carefully before using the 1224 Threading Machine to reduce the risk of electrical shock or other serious injury.

SAVE ALL WARNINGS AND INSTRUCTIONS FOR FUTURE REFERENCE!

Keep this manual with machine for use by the operator.

Threading Machine Safety Warnings

- **Keep floor dry and free of slippery materials such as oil.** Slippery floors invite accidents.
- **Restrict access or barricade the area when work piece extends beyond machine to provide a minimum of one meter clearance from the work piece.** Restricting access or barricading the work area around the work piece will reduce the risk of entanglement.
- **Do not wear gloves.** Gloves may be entangled by the rotating pipe or machine parts leading to personal injury.
- **Do not use for other purposes such as drilling holes or turning winches.** Other uses or modifying this machine for other applications may increase the risk of serious injury.
- **Secure machine to bench or stand. Support long heavy pipe with pipe supports.** This practice will prevent tipping.
- **While operating the machine, stand on the side where the operator controls are located.** Operating the machine from this side eliminates need to reach over the machine.
- **Keep hands away from rotating pipe and fittings. Stop the machine before wiping pipe threads or screwing on fittings. Allow the machine to come to a complete stop before touching the pipe.** This practice will reduce the chance of entanglement in rotating parts.
- **Do not use this machine to install or remove (make or break) fittings, it is not an intended use of the machine.** This practice could lead to trapping, entanglement and loss of control.
- **Keep covers in place. Do not operate the machine without all covers properly installed.** Exposing moving parts increases the probability of entanglement.
- **Do not use this machine if the foot switch is broken or missing.** The foot switch provides safe control of the machine, such as shut-off in case of entanglement.
- **One person must control the work process, machine operation and foot switch.** Only the operator should be in the work area when the machine is running. This helps reduce the risk of injury.
- **Never reach into the machine front chuck or rear centering head.** This will reduce the risk of entanglement.
- **Read and understand these instructions and the instructions and warnings for all equipment and materials being used before operating this tool to reduce the risk of serious personal injury.**

The EC Declaration of Conformity (890-011-320.10) will accompany this manual as a separate booklet when required.

If you have any question concerning this RIDGID® product:

- Contact your local RIDGID® distributor.
- Visit RIDGID.com or RIDGID.eu to find your local RIDGID contact point.
- Contact Ridge Tool Technical Service Department at rttechservices@emerson.com, or in the U.S. and Canada call (800) 519-3456.

Description, Specifications And Standard Equipment

Description

The RIDGID® Model 1224 Threading Machine is an electric motor-driven machine that centers and chucks pipe, conduit and bolt stock and rotates it while cutting, reaming and threading operations are performed. Threading dies are mounted in a variety of available die heads. An integral oiling system is provided to flood the work with thread cutting oil during the threading operation.

With proper optional equipment, the 1224 Threading Machine can be used to thread larger pipe, short or close nipples or for roll grooving. The 1224 machine can also be used to cut standard grooves on pipes and to cut or strip the saran and plastic lined pipes.

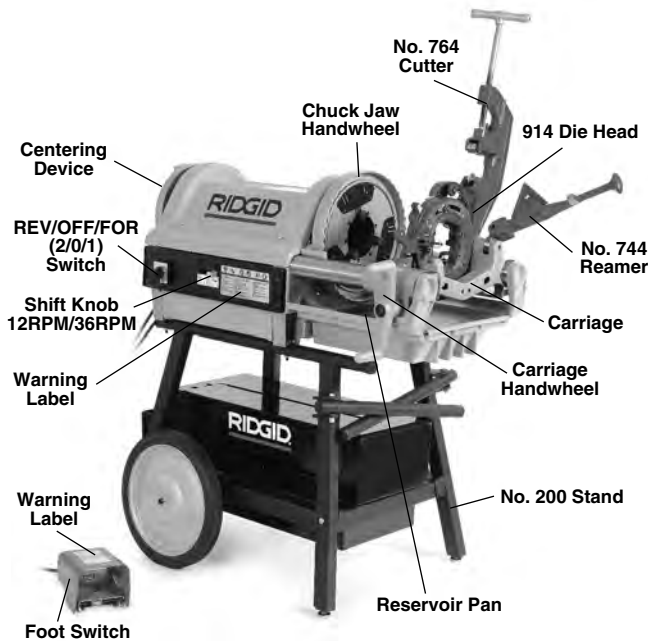


Figure 1 – 1224 Threading Machine

Specifications

- Threading CapacityPipe 1/4" to 4" (6 to 100 mm)
Bolt 1/4" to 2" (6 to 50 mm)
- LH ThreadsWith proper Die Heads
- Motor:
 - TypeInduction Type, Single Phase
(contact RIDGID for three phase options available)
 - Power1 1/2 HP (1.12 kW)
 - Volts120 V, 60 Hz; 220/240 V, 50 Hz;
Other Voltages Available (See RIDGID Catalog)
- Operating Speed12/36 RPM
- ControlsRotary Type REV/OFF/FOR
(2/0/1) Switch and ON/OFF Foot switch
- Front ChuckHammer-Type with Replaceable
Rocker-Action Jaw Inserts
- Rear Centering DeviceCam Action
- Die HeadsSee RIDGID Catalog for Available Die Heads
- CutterModel 764, 1/4" - 4", Full-Floating,
Self-Centering Cutter
- ReamerModel 744, 1/4" - 4" Blade-Type

Oil System.....5 qt (4,7 l) Self-Priming, Gerotor-Type, Automatic-Reversing, Constant Flow

Weight509 lb (231 kg)

Standard Equipment

Refer to the RIDGID catalog for details on equipment supplied with specific machine catalog numbers.

The Threading Machine serial number plate is located on the end of the base. The last 4 digits indicate the month and year of the manufacture. (12 = month, 14 = year).



Figure 2 – Machine Serial Number

NOTICE Selection of appropriate materials and installation, joining and forming methods is the responsibility of the system designer and/or installer. Selection of improper materials and methods could cause system failure.

Stainless steel and other corrosion resistant materials can be contaminated during installation, joining and forming. This contamination could cause corrosion and premature failure. Careful evaluation of materials and methods for the specific service conditions, including chemical and temperature, should be completed before any installation is attempted.

Machine Assembly

WARNING



To reduce the risk of serious injury during use, follow these procedures for proper assembly.

Failure to mount the threading machine to a stable stand or bench may result in tipping and serious injury.

REV/OFF/FOR switch should be OFF and machine unplugged before assembly.

Use proper lifting techniques. The RIDGID 1224 Threading Machine weighs 509 lbs. (231 kg).

Mounting on Stands

The Threading Machine can be mounted on various RIDGID Threader Stands. Refer to RIDGID catalog for stand information and to the respective Stand Instruction Sheet for mounting instructions.

Mounting on Bench

The machine can be mounted on a level, stable bench. To mount the unit on a bench, use four 3/8" bolts in holes provided at each corner of the machine base. Base hole spacing is 19.88" x 15.5" (505 mm x 394 mm). Tighten securely.

Pre-Operation Inspection

⚠ WARNING



Before each use, inspect your threading machine and correct any problems to reduce the risk of serious injury from electric shock, crushing and other causes, and to help prevent threading machine damage.

1. Make sure that the threading machine is unplugged and the REV/OFF/FOR switch is in OFF position.
2. Clean any oil, grease or dirt from the threading machine, including the handles and controls. This aids inspection and helps prevent the machine or control from slipping from your grip. Clean and maintain the machine per the maintenance instructions.
3. Inspect the threading machine for the following:
 - Condition of the cords and plug for damage or modification.
 - Proper assembly, maintenance and completeness.
 - Any broken, worn, missing, misaligned or binding parts or other damage.
 - Presence and operation of the foot switch. Confirm that foot switch is attached, in good condition, that it cycles smoothly and does not stick.
 - Presence and readability of warning labels (*Figure 1*).

- Condition of the dies, cutter wheel and reamer cutting edges. Dull or damaged cutting tools increase required force, produce poor results and increase the risk of injury.
- Any other condition which may prevent safe and normal operation.

If any problems are found, do not use the threading machine until the problems have been repaired.

4. Inspect and maintain any other equipment being used per its instructions to make sure it is functioning properly.

Machine and Work Area Set-Up

⚠ WARNING



Set up the Threading Machine and the work area according to these procedures to reduce the risk of injury from electric shock, machine tipping, entanglement, crushing and other causes, and to help prevent threading machine damage.

Secure machine to stable stand or bench. Properly support pipe. This will reduce the risk of falling pipe, tipping and serious injury.

Do not use the Threading Machine without a properly operating foot switch. A foot switch provides better control by letting you shut off the machine motor by removing your foot.

1. Check work area for:
 - Adequate lighting.
 - Flammable liquids, vapors or dust that may ignite. If present, do not work in area until source is identified, removed or corrected, and area is completely ventilated. The threading machine is not explosion proof and can cause sparks.
 - Clear, level, stable, dry location for all equipment and operator.
 - Good ventilation. Do not use extensively in small, enclosed areas.
 - Properly grounded electrical outlet of the correct voltage. Check the machine serial plate for required voltage. A three-prong or GFCI outlet may not be properly grounded. If in doubt, have outlet inspected by a licensed electrician.
2. Inspect the pipe to be threaded and associated fittings. Determine the correct equipment for the job, see

Specifications. Do not use to thread anything other than straight stock. Do not thread pipe with fittings or other attachments. This increases the risk of entanglement.

3. Transport equipment to work area. See *Preparing Machine for Transport* for information.
4. Confirm equipment to be used has been properly inspected and assembled.
5. Confirm that the REV/OFF/FOR switch is in the OFF position.
6. Check that the correct dies are in the die head and are properly set. If needed, install and/or adjust the dies in the die head. See *Die Head Set-Up and Use* section for details.
7. Swing the cutter, reamer and die head up away from the operator. Make sure they are stable and will not fall in the work area.
8. If pipe will extend past the chip tray in the front of the machine or more than 2' (0.6 m) out of the rear of the machine, use pipe stands to support the pipe and prevent the pipe and threading machine from tipping or falling. Place the pipe stands in line with machine chucks, approximately $\frac{1}{3}$ of distance from end of the pipe to the machine. Longer pipe may need more than one pipe stand. Only use pipe stands designed for this purpose. Improper pipe supports or supporting the pipe by hand can cause tipping or entanglement injuries.
9. Restrict access or set-up guards or barricades to create a minimum of 3' (1 m) clearance around the threading machine and pipe. This helps prevent non-operators from contacting the machine or pipe and reduces the risk of tipping or entanglement.
10. Position the foot switch as shown in *Figure 18* to allow a proper operating position.
11. Check the level of RIDGID Thread Cutting Oil. Remove the draw tray assembly and insert assembly; see that the filter screen assembly is fully submerged in oil. See *Oil System Maintenance*.
12. With the REV/OFF/FOR switch in OFF position, run the cord along a clear path. With dry hands, plug the power cord into the properly grounded outlet. Keep all connections dry and off the ground. If the power cord is not long enough use an extension cord that:
 - Is in good condition.
 - Has a three-prong plug like on the threading machine.
 - Is rated for outdoor use.
 - Has sufficient wire size. For extension cords up to 50' (15.2 m) long use 14 AWG (2.5 mm²) or heavier. For extension cords 50'-100' (15.2 m - 30.5 m) long use 12 AWG (2.5 mm²) or heavier.
13. Check the Threading Machine for proper operation. With hands clear:
 - Move the REV/OFF/FOR switch to the FOR position. Press and release the foot switch. Chuck should rotate counter-clockwise when viewed from the carriage end (see *Figure 22*.) Repeat for REV position – chuck should rotate clockwise. If the threading machine does not rotate in the correct direction, or the foot switch does not control the machine operation, do not use the machine until it has been repaired.
 - Depress and hold the foot switch. Inspect the moving parts for misalignment, binding, odd noises or any other unusual conditions. Remove foot from the foot switch. If any unusual conditions are found, do not use the machine until it has been repaired.
 - Place die head in the use position. Depress and hold the foot switch. Check for oil flow through the die head. Remove foot from the foot switch. If needed, see “*Oil System Maintenance*” section.
14. Move the REV/OFF/FOR switch to the OFF position, and with dry hands unplug the machine.

Die Head Set-Up and Use

The 1224 Threading Machine can be used with a variety of RIDGID Die Heads to cut pipe and bolt threads. See *the RIDGID catalog* for available die heads.

Die Heads require one set of dies for each of the following pipe size ranges: ($\frac{1}{4}$ " and $\frac{3}{8}$ "), ($\frac{1}{2}$ " and $\frac{3}{4}$ "), (1" through 2"), and ($2\frac{1}{2}$ " through 4"). NPT/NPSM dies must be used in NPT die heads and BSPT/BSPP dies must be used in BSPT die heads – The size bar is marked for each.

Die heads using Bolt dies require a dedicated set of dies for each specific thread size.

See *the RIDGID catalog* for dies available for your die head.

Always cut a test thread to confirm proper thread size after changing/adjusting the dies.

Removing/Installing Die Head

Insert/remove Die Head Post into mating hole in carriage. When fully inserted, the Die Head will be held in place. When it is installed, the Die Head can be pivoted on

post to align it with pipe or it can be swung up and out of the way to allow use of cutter or reamer.

Quick-Opening Die Heads

Quick opening die heads include Models 713/913 and 541/542 Bolt. Quick opening die heads are manually opened and closed for user specified thread length.

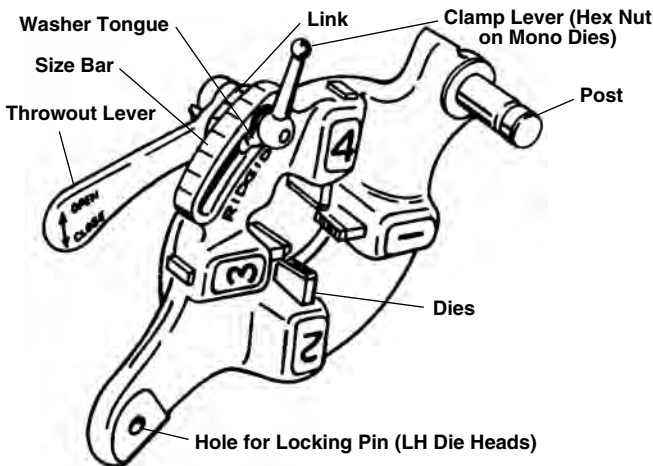


Figure 3 – Quick-Opening Die Head

Inserting/Changing the Dies

1. Place the die head with numbers facing up.
2. Move throwout lever to OPEN position (Figure 4).

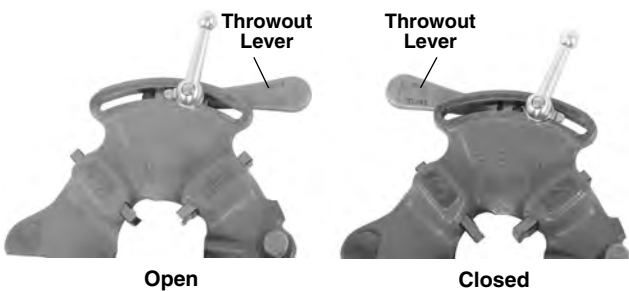


Figure 4 – Open/Closed Lever Position

3. Loosen clamp lever approximately three turns.
4. Lift tongue of washer out of slot in size bar. Move washer to end of slot (Figure 5).

5. Remove dies from the die head.

6. Insert appropriate dies into the die head, numbered edge up until the indicator line is flush with the edge of the die head (see Figure 5). Numbers

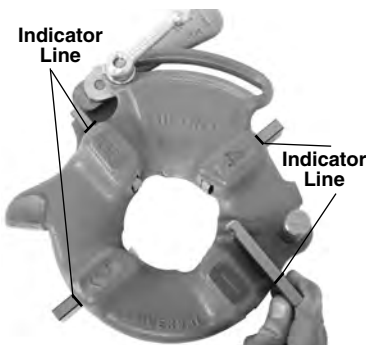


Figure 5 – Inserting Dies

on the dies must correspond with those on the die head slots. Always change dies as sets – do not mix dies from different sets.

7. Move link index mark to align with desired size mark on size bar. Adjust die insertion as needed to allow movement. Washer tongue should be in slot to left.
8. Tighten clamp lever.

Adjusting Thread Size

1. Install the die head per the Threading Machine instructions and move the die head into threading position.
2. Loosen clamp lever.
3. Start with link index mark aligned with desired size mark on size bar. On Mono and Bolt die heads, set link mark at line in size bar. For bolt threads with Universal die head, set all bolt dies at BOLT line on size bar (Figure 6).
4. If thread size needs to be adjusted, set the link index mark slightly off the mark on size bar in the direction of OVER (larger diameter thread, less turns of fitting engagement) or UNDER (smaller thread diameter, more turns of fitting engagement) markings.
5. Tighten clamp lever.

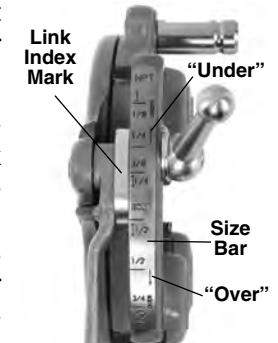


Figure 6 – Adjusting Thread Size

Opening the Die Head at the End of the Thread

At the end of the thread:

- Pipe Threads – End of threaded pipe is flush with the end of the number 1 die.
- Bolt Threads – Thread the desired length – watch closely for any interference between the parts.

Move the throwout lever to the OPEN position, retracting dies.

Self-Opening Die Heads

Self-Opening Die Heads include Model 711 NPT RH and 911 BSPT RH die heads. For 1/2" through 2" pipe sizes, a trigger can be used to open the die head when the thread is complete. For 1/8" to 3/8" sizes, bolt and straight threads, and if desired for the other sizes, the die head is manually opened when the thread is complete.

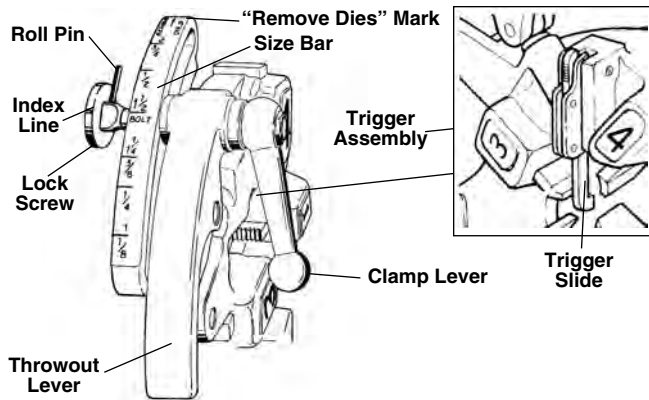


Figure 7 – Universal Self-Opening Die Head

Inserting/Changing the Dies

1. Place the die head with numbers facing up.
2. Make sure the trigger assembly is released and die head OPEN by pulling the trigger slide away from the die head. Stay clear of the spring loaded Throwout Lever while releasing trigger assembly.

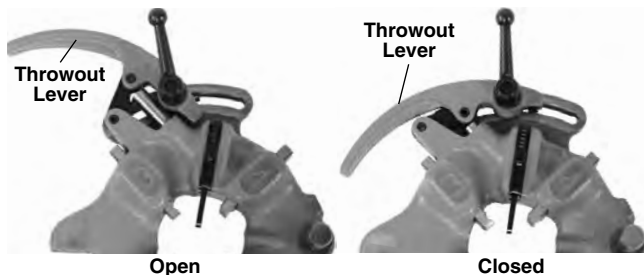


Figure 8 – Open/Closed Position

3. Loosen clamp lever approximately six full turns.
4. Pull lock screw out of size bar slot so roll pin will bypass slot. Position size bar so that the index line on lock screw is aligned with the REMOVE DIES mark.
5. Remove dies from the die head.
6. Insert appropriate dies into the die head, numbered edge up until the indicator line is flush with the edge of the die head (see Figure 9). Numbers on the dies must correspond with those on the die head slots. Always change dies as sets – do not mix dies from different sets.
7. Move size bar so index line on lock screw is aligned with desired size mark. Adjust die insertion as needed to allow movement.

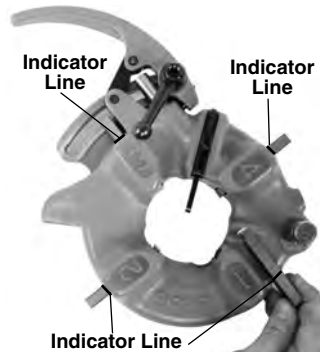


Figure 9 – Inserting Dies

8. Make sure roll pin points toward REMOVE DIES mark.
9. Tighten the clamp lever.

Adjusting Thread Size

1. Install the die head per the Threading Machine Instructions and move the die head into threading position.
2. Loosen clamp lever.
3. Position size bar so index line on lock screw is aligned with desired size mark on size bar.
4. If thread size needs to be adjusted, set the lock screw index line slightly off the mark on size bar in the direction of OVER (larger diameter thread, less turns of fitting engagement) or UNDER (smaller thread diameter, more turns of fitting engagement) markings.
5. Tighten clamp lever.

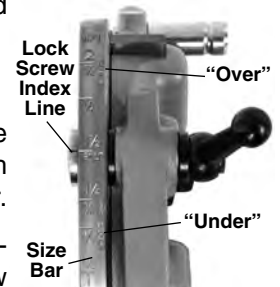


Figure 10 – Adjusting Thread Size

Trigger Slide Adjustment

Position the Trigger Slide for the size of pipe being threaded (see Figure 11).

- 1/2" and 3/4" – End of pipe should hit foot of Trigger Slide.
- 1" to 2" – End of pipe should hit the shank of the Trigger Slide.

For

- 1/8", 1/4" and 3/8" pipe
- Longer or shorter threads
- Bolt threading

Push trigger slide up and out of the way. Die head must be opened manually.

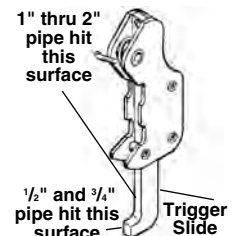


Figure 11 – Setting the Trigger

Opening the Die Head at the End of the Thread

When using trigger it will contact the end of pipe, causing the die head to automatically open. Stay clear of the spring loaded Throwout Lever when it releases.

To open the die head manually (with trigger slide up), at the end of the thread:

- Tapered Pipe Threads – End of pipe is flush with the end of the number 1 die.
- Bolt and Straight Threads – Thread the desired length – watch closely for any interference between the parts.

Move the throwout lever to the OPEN position, retracting dies.

714/914 Receding Self-Opening Die Heads

The Model 714 (NPT/NPSM) and 914 (BSPT/BSPP) receding self-opening die heads are used on 1224 threading machine for 2½" to 4" pipe sizes. These die heads can be adjusted to cut either tapered or straight pipe threads.

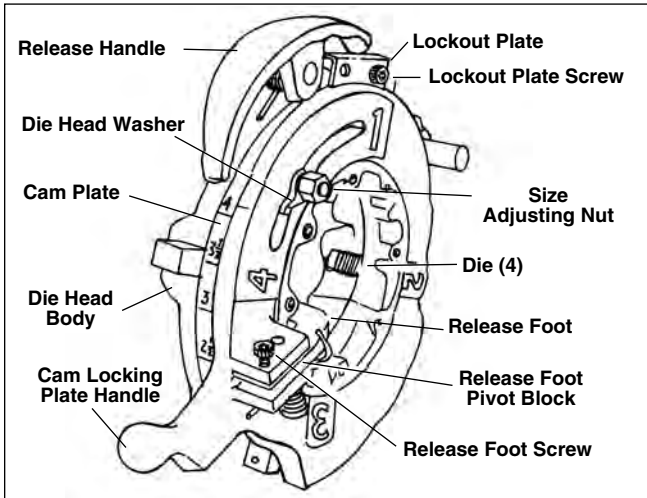


Figure 12 – Receding Self-Opening Die Head

Inserting/Changing the Dies

1. Place the die head with numbers facing up.
2. Make sure the release foot is released/Die head is open by pulling the release foot away from the die head. Stay clear of spring loaded moving parts while releasing.
3. Loosen the adjusting nut and lift die head washer foot out of the slot.

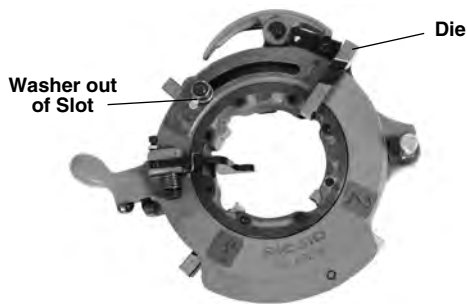


Figure 13 – Inserting Dies

4. Rotate cam toward larger pipe sizes until adjusting screw reaches end of slot.
5. Remove dies from die head.

Insert appropriate dies into the die head, numbered edge up. Numbers on the dies must correspond with those on the die head slots (see Figure 13). Dies include a pocket that engages a ball detent in the die

head when properly installed Always change dies as sets – do not mix dies from different sets.

6. Rotate cam to size setting desired.
7. Washer tongue should be in slot to left. Tighten adjusting nut.

Adjusting Thread Size

1. Install the die head per the Threading Machine Instructions and move the die head into threading position.
2. Loosen the adjusting nut.
3. Position index line with desired size mark on cam/size bar.
4. If thread size needs to be adjusted, set the index line slightly off the mark on the cam/size bar toward larger sizes (larger thread diameter, less turns of fitting engagement) or toward smaller sizes (smaller thread diameter, more turns of fitting engagement) as shown on the cam/size bar.
5. Tighten the adjustment nut.

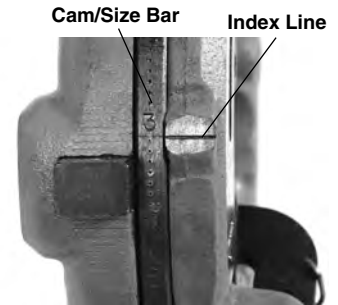
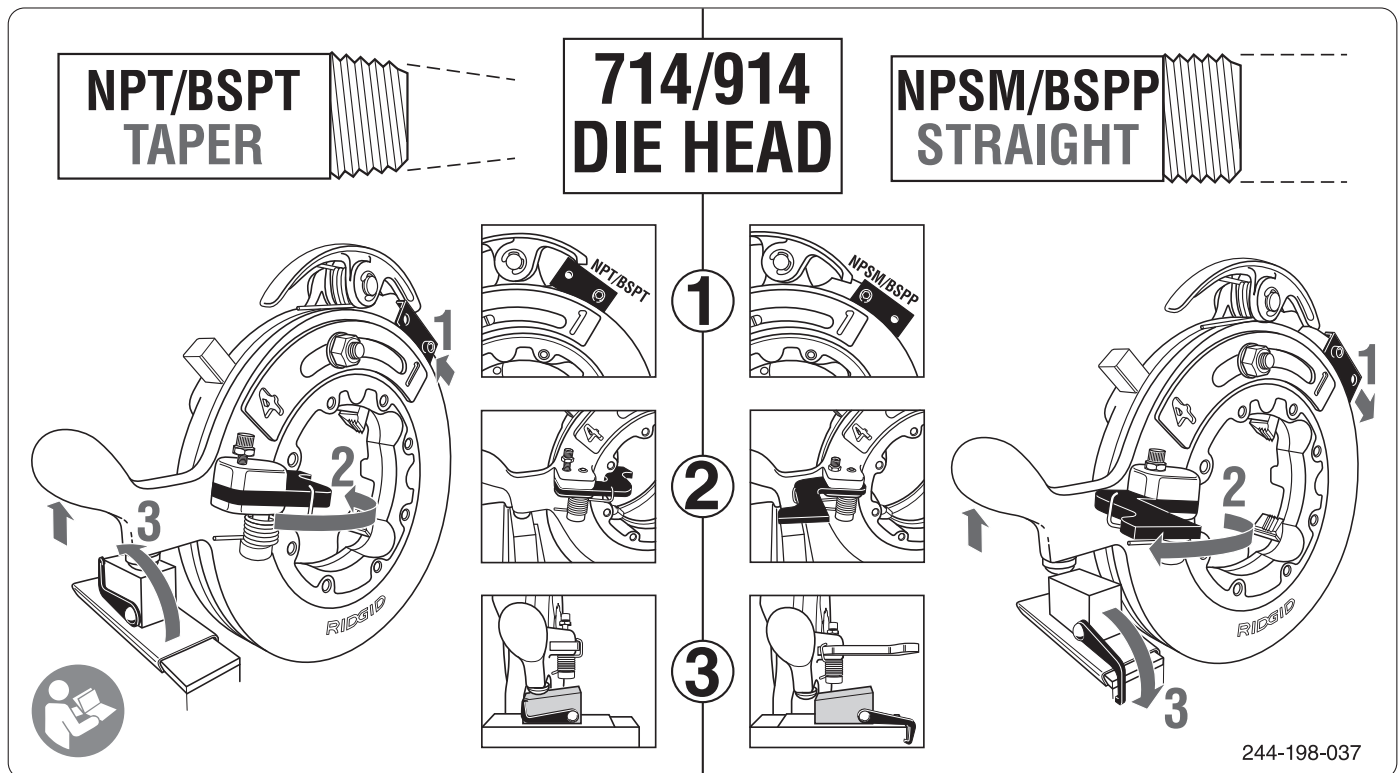


Figure 14 – Adjusting Thread Size



244-198-037

Figure 15 – Adjusting for Tapered or Straight Pipe Threads

Adjusting for Tapered or Straight Pipe Threads

- For tapered threads (NPT or BSPT depending on die head), referencing *Figure 15*, adjustments are “IN”.
 - Position the lockout plate **in** toward the release handle. Secure the lock out plate with the screw through the hole marked “NPT/BSPT”.
 - Move the release foot **in** towards the pipe.
 - Unhook the latch and allow sine bar to move **in** toward the die head. Rotate the latch next to the sine bar to protect it.
- For straight threads (NPSM or BSPP depending on die head), referencing *Figure 15*, the adjustments are “OUT”.
 - Position the lockout plate **out** away from the release handle. Secure the lock out plate with the screw through the hole marked “NPSM/BSPP”.
 - Move the release foot **out** away from the pipe and tighten release foot screw to retain in place.
 - Pull the sine bar **out** away from the die head and rotate the latch down to hook it to the carriage. There is a hole in the end of the carriage for the latch to engage in.

Preparing the Die Head to Thread

Lower the die head down into the threading position.

Firmly push up on the cam locking plate handle to cock/close the die head (*Figure 16*).

- When adjusted for tapered threads, the release foot will latch in toward the pipe, and the spherical surface on the cam locking plate will rest on the sine bar.
- When adjusted for straight threads, the release handle will engage the notch in the cam lock plate. The die head will not touch the sine bar.

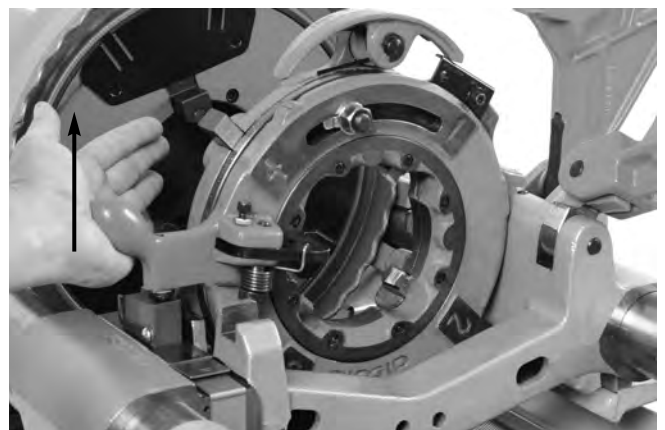


Figure 16 – Closing the Receding Die Head

Opening the Die Head at the End of the Thread

- Tapered threads: at the end of the thread the spherical surface on the cam locking plate will move off of the sine bar, opening the die head.
- Straight threads: thread the desired length and open the die head manually by depressing the release handle – watch closely for any interference between parts.

Operating Instructions



WARNING

Do not wear gloves or loose clothing. Keep sleeves and jackets buttoned. Loose clothing can become entangled in rotating parts and cause crushing and striking injuries.

Keep hands away from rotating pipe and parts. Stop the machine before wiping threads or screwing on fittings. Do not reach across the machine or pipe. To prevent entanglement, crushing or striking injuries, allow machine to come to a complete stop before touching the pipe or machine chucks.

Do not use this machine to make or break (tighten or loosen) fittings. This can cause striking or crushing injuries.

Do not use a threading machine without a properly operating foot switch. Never block a foot switch in the ON position so that it does not control the threading machine. A foot switch provides better control by letting you shut off the machine motor by removing your foot. If entanglement should occur and power is maintained to the motor, you will be pulled into the machine. This machine has high torque and can cause clothing to bind around your arm or other body parts with enough force to crush or break bones or cause striking or other injuries.

One person must control both the work process and the foot switch. Do not operate with more than one person. In case of entanglement, the operator must be in control of the foot switch.

Follow operating instructions to reduce the risk of injury from entanglement, striking, crushing and other causes.

1. Make sure that machine and work area is properly set up and that the work area is free of bystanders and other distractions. The operator should be the only person in the area while the machine is operated.

The cutter, reamer and die head should be up away from the operator, do not place in the operating position. Make sure they are stable and will not fall. Fully open the chucks of the threading machine.

2. Insert pipe shorter than 2' (0,6 m) from the front of the machine. Insert longer pipes through either end so that the longer section extends out beyond the rear of the Threading Machine. Confirm that pipe stands are properly placed.
3. If needed, mark the pipe. Place pipe so that the area to be cut or end to be reamed or threaded is approximately 6" (150 mm) from the front of the chuck. If closer, the carriage may strike the machine during the threading and damage the machine.
4. Turn the rear centering device clockwise (viewed from rear of machine) to close down onto pipe. Make sure that the pipe is centered in the inserts. This improves pipe support and gives better results.
5. Turn the front chuck handwheel counterclockwise (viewed from front of machine) to close down onto pipe. Make sure that the pipe is centered in the inserts. Use repeated and forceful counterclockwise spins of the handwheel to secure the pipe in front chuck.

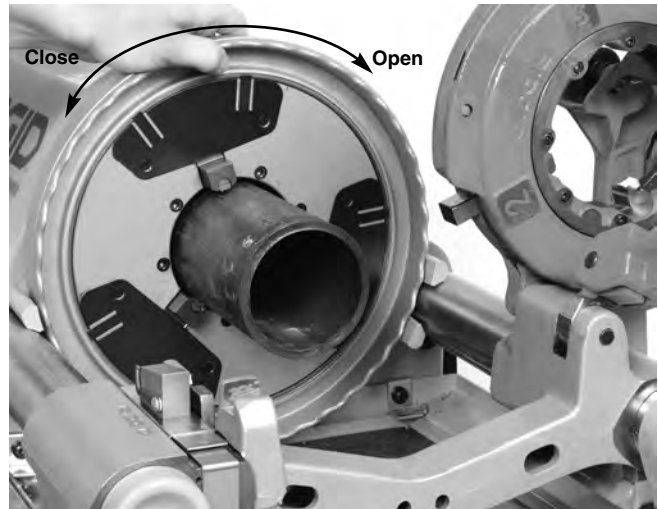


Figure 17 – Chucking Pipe



Figure 18 – Operating Position

6. Assume a proper operating position to help maintain control of the machine and pipe (See Figure 18).
 - Stand on the REV/OFF/FOR switch side of the machine with convenient access to the tools and switch.
 - Be sure that you can control the foot switch. Do not step on foot switch yet. In case of emergency, you must be able to release the foot switch.
 - Be sure that you have good balance and do not have to overreach.

Changing Operating Speeds

The 1224 has two operating speeds – 12 and 36 rpm. 36 rpm can be used for cutting and reaming pipe up to 4" and threading pipe threads up to 2". 12 rpm should be used to thread 2½" and larger pipe threads or other high torque applications such as stainless steel, high hardness material, etc. If 1224 ever stalls while operating at 36 rpm, immediately release foot switch and change speed to 12 rpm.

Do not change operating speed while cutting, reaming or

threading. Any load on machine could prevent shifting of gears. To change operating speed:

1. Move the REV/OFF/FOR switch to the FOR position.
2. Depress and release the foot switch to start the chuck rotating.
3. While the chuck is rotating (but the foot switch is released) move the shift knob.

These steps match those on the speed selector decal (Figure 19).

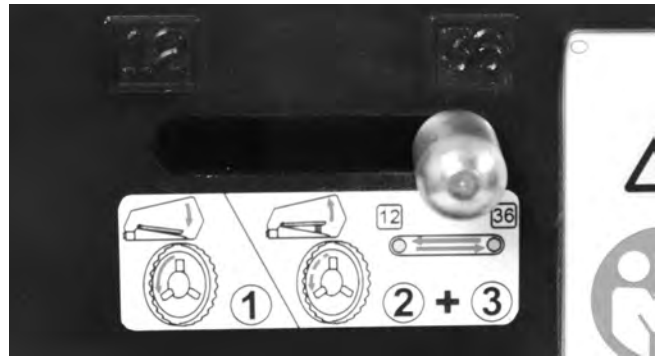


Figure 19 – Shift Knob/Decal

Carriage Handwheel Adjustment

The 1224 carriage handwheel position can be adjusted for better leverage.

1. Pull handwheel out from carriage.
2. Rotate the handwheel ¼ turn. The handle will automatically reengage in new position.



Figure 20 – Carriage Handwheel Adjustment

Cutting with No. 764 Cutter

1. Open cutter by turning the feed screw counterclockwise. Lower the cutter into cutting position over the pipe. Use the carriage handwheel to move the cutter over the area to be cut, and align the cutter wheel with the mark on the pipe. Cutting threaded or damaged sections of pipe can damage the cutter wheel.

2. Tighten the cutter feed screw handle to bring the cutter wheel firmly in contact with the pipe while keeping the cutter wheel aligned with the mark on the pipe.
3. Move the REV/OFF/FOR switch to the FOR position.
4. With both hands, grasp the pipe cutter feed handle (Figure 21).
5. Depress the foot switch.
6. Tighten the feed screw handle one-half turn per rotation of the pipe until the pipe is cut. More aggressive tightening of the handle reduces cutter wheel life and increases pipe burr formation. Do not support the pipe by hand. Let the cut off piece be supported by the threading machine carriage and pipe stand.

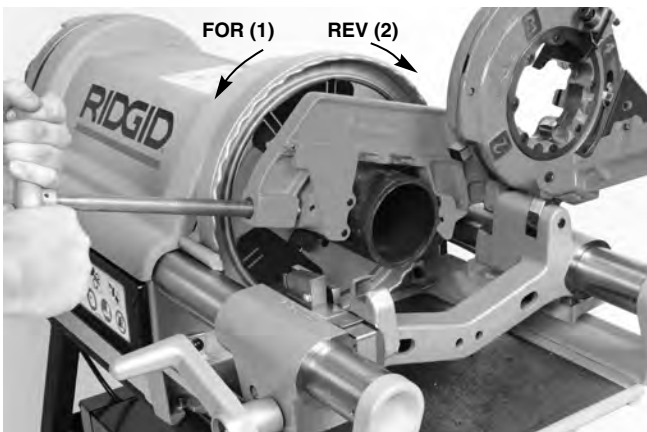


Figure 21 – Cutting Pipe with 764 Cutter/Machine Rotation

7. Remove foot from the foot switch.
8. Move the REV/OFF/FOR switch to the OFF position.
9. Raise cutter into position up away from operator.

Reaming with No. 744 Reamer

1. Move the reamer into reaming position. Make sure that it is securely positioned to prevent it from moving during use.
2. Move the REV/OFF/FOR switch to the FOR position.
3. With both hands, grasp the carriage handwheel.
4. Depress the foot switch.
5. Turn carriage handwheel to move the reamer to the end of the pipe. Apply slight pressure to the handwheel to feed the reamer into pipe to remove the burr as desired.



Figure 22 – Reaming Pipe with Reamer

6. Remove foot from the foot switch.
7. Move the REV/OFF/FOR switch to the OFF position.
8. Move the reamer up away from the operator.

Threading Pipe

Due to differing pipe characteristics, a test thread should always be performed before the first thread of the day or when changing pipe size, schedule or material.

1. Lower the die head into the threading position. Confirm that the dies are correct for the pipe being threaded and properly set. See the “Die Head Set-Up and Use” section for information on changing and adjusting dies.
2. Close the die head.
3. Choose the correct operating speed for the application.
4. Move the REV/OFF/FOR switch to the FOR position.
5. With both hands, grasp the carriage handwheel.
6. Depress the foot switch.
7. Confirm cutting oil flow through the die head.
8. Turn carriage handwheel to move the die head to the end of the pipe. Apply slight force to the handwheel to start the die head onto the pipe. Once the die head starts threading the pipe, no more force is required on the carriage handwheel.

When using the 714/914 die head to make a tapered thread, once the release foot actuates the receding mechanism, if the die head is moved away from the pipe, you will cut an oversized thread.

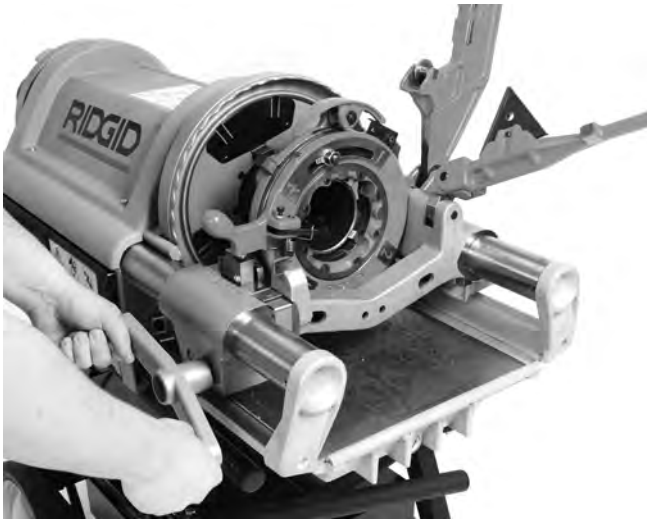


Figure 23 – Threading Pipe (714 Die Head Shown)

9. Keep your hands away from the rotating pipe. Make sure the carriage does not hit the machine. When the thread is complete, open the die head (if the die head does not open automatically). Do not run machine in Reverse (REV) with dies engaged.
10. Remove foot from the foot switch.
11. Move the REV/OFF/FOR switch to the OFF position.
12. Turn the carriage handwheel to move the die head past the end of the pipe. Raise the die head into position up away from the operator.
13. Remove the pipe from the machine and inspect the thread. Do not use the machine to tighten or loosen fittings on the thread.

Threading Bar Stock/Bolt Threading

Bolt threading is similar to the pipe threading process. The stock diameter should never exceed the thread major diameter.

When cutting bolt threads, the correct dies and die head must be used. Bolt threads may be cut as long as needed, but make sure the carriage does not hit the machine. If long threads are required:

1. At the end of carriage travel, leave the die head closed, remove foot from the foot switch and move the REV/OFF/FOR switch in the OFF position.
2. Open the chuck and move the carriage and work-piece to the end of the machine.
3. Re-chuck the rod and continue threading.

Left Hand Threading

Cutting left hand threads is similar to the right hand threading process. To cut left hand threads, left hand die heads and dies are required. Latch the die head in place (Figure 24). Run machine in Reverse (REV) while threading.

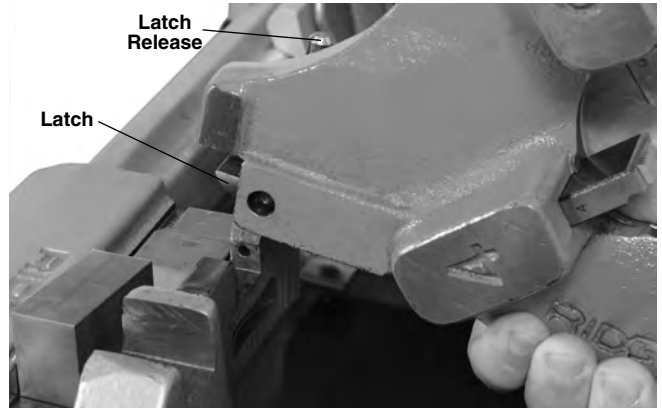


Figure 24 – Latch on LH Die Head

Beveling Pipe

1. Install the beveling dies as per “Inserting/Changing the Dies” procedure.

Bevel cutting die (marked “2”) must go into the number 2 die head slot. Guide dies are not marked and are used in the 1, 3 and 4 die head slots. Refer to the respective die head instructions for information on die insertion.

2. For 714 and 914 die heads, set up for NPSM/BSPP straight threads.
3. Follow the Threading Machine instructions for threading pipe.

Move the die head into threading position and close the die head. Move the carriage to bring the dies in contact with the pipe and apply slight force to form the desired bevel. In some cases, the size may need to be adjusted slightly (OVER or UNDER) so that the guide dies ride on the pipe outside diameter.

Removing Pipe from the Machine

1. With the REV/OFF/FOR switch in the OFF position and the pipe stationary, use repeated and forceful clockwise spins of the handwheel to loosen the pipe in the chuck. Open the front chuck and the rear-centering device. Do not reach into chuck or centering device.
2. Firmly grip the pipe and remove from the machine. Carefully handle the pipe as the thread may still be hot and there may be burrs or sharp edges.

Inspecting Threads

1. After removing the pipe from the machine, clean the thread.
2. Visually inspect thread. Threads should be smooth and complete, with good form. If issues such as thread tearing, waviness, thin threads, or pipe out-of-roundness are found, the thread may not seal. Refer to the *Troubleshooting Chart* for help in diagnosing these issues.
3. Inspect the size of the thread.
 - The preferred method of checking thread size is with a ring gauge. There are various styles of ring gauges, and their usage may differ from that shown here.
 - Screw ring gauge onto the thread hand tight.
 - Look at how far the pipe end extends through the ring gauge. The end of the pipe should be flush with the side of the gauge plus or minus one turn. If thread does not gauge properly, cut off the thread, adjust the die head and cut another thread. Using a thread that does not gauge properly can cause leaks.

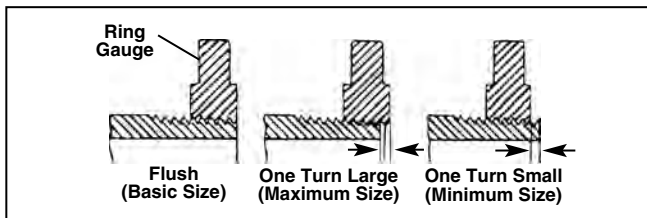


Figure 25 – Checking Thread Size

- If a ring gauge is not available to inspect thread size, it is possible to use a new clean fitting representative of those used on the job to gauge thread size. For 2" and under NPT threads, the threads should be cut to obtain 4 to 5 turns to hand tight engagement with the fitting and for BSPT it should be 3 turns. For 2½" to 4" NPT threads the hand tight engagement should be 5.5 to 7 threads, and for BSPT it should be 4 threads.
4. Adjust the threads according to appropriate section of "Adjusting Thread Size" under "Die Head Set-Up and Use" heading.
 5. Test the system in accordance with local codes and normal practice.

Preparing Machine for Transport

1. Make sure that the REV/OFF/FOR switch is in the OFF position and the cord is unplugged from the outlet.

2. Clean the chips and other debris from the chip tray. Remove or secure all equipment and material from the machine and stand prior to moving to prevent falling or tipping. Clean up any oil or debris on the floor.
3. Place the cutter, reamer and die head in the operating position.
4. Coil up the power cord and foot switch cord.
5. Use care in lifting and moving, follow stand instructions. Be aware of the machine weight.



Figure 26 – Machine prepared for Transport

Maintenance Instructions

⚠ WARNING

Make sure that the REV/OFF/FOR switch is in the OFF position and the machine is unplugged before performing any maintenance or making any adjustments.

Maintain threading machine according to these procedures to reduce the risk of injury from electrical shock, entanglement and other causes.

Cleaning

After each use, empty the threading chips from the draw tray assembly and wipe out any oil residue. Wipe oil off exposed surfaces, especially areas of relative motion like the carriage rails.

If the jaw inserts do not grip and need to be cleaned, use a wire brush to remove any build up of pipe scale, etc.

Top Cover Removal/Installation

The top cover is retained by screws at each corner. The screws are secured to the cover to prevent loss. When removing or installing the cover, loosen or tighten the cover screws in three steps to allow the cover to move and flex. See *Figure 27* for the tightening/loosening se-

quence. Do not operate the threading machine with cover off.

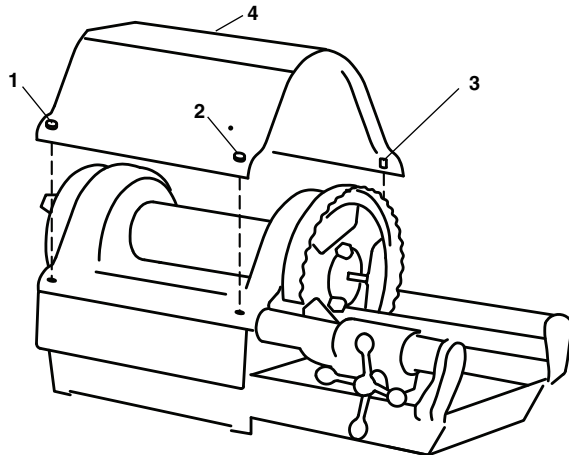


Figure 27 – Top Cover Screw Tightening/Loosening Sequence

Lubrication

On a monthly basis (or more often if needed) lubricate all exposed moving parts (such as carriage rails, cutter wheels, cutter feed screw, jaw inserts and pivot points) with a light lubricating oil. Wipe any excess oil from exposed surfaces.

Every 2-6 months, depending on usage, remove top cover and use grease gun to apply Lithium based EP (Extreme Pressure) grease to the shaft bearing grease fittings (Figure 28).

Do not operate the threading machine with cover off. Always replace cover immediately after lubricating machine.



Figure 28 – Grease Fittings

Oil System Maintenance

To remove the draw tray assembly, push toward the front chuck (1) and lift (2) (see Figure 29).

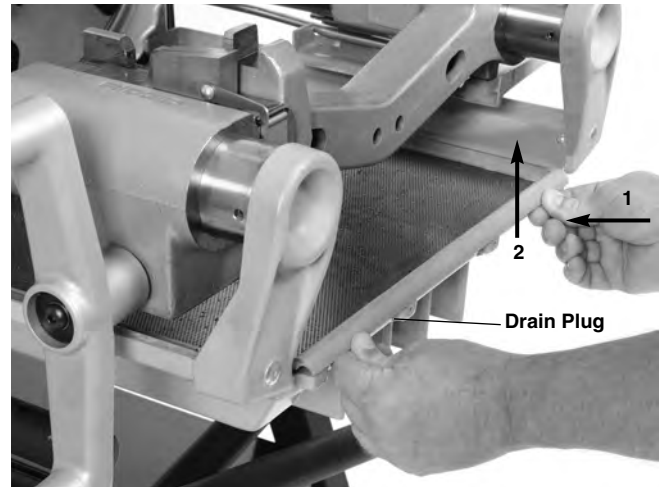


Figure 29 – Removing the Draw Tray Assembly

Keep oil filter screen clean for sufficient oil flow. Oil filter screen is located in the bottom of oil reservoir. Loosen the screw that secures filter to base, remove filter from oil line and clean. Do not operate machine with oil filter screen removed.

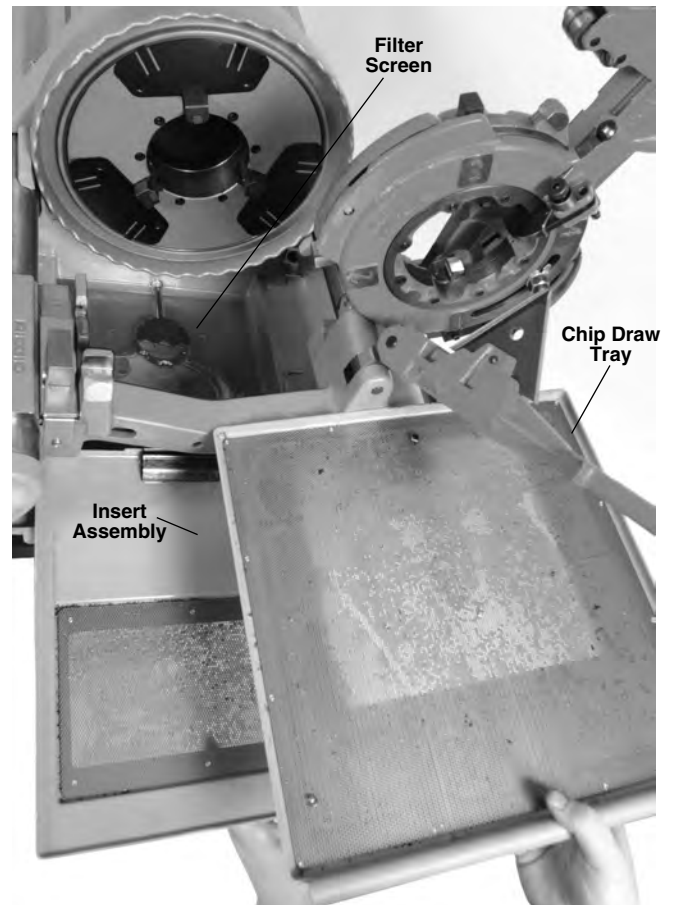


Figure 30 – Filter Screen Assembly

Replace thread cutting oil when it becomes dirty or contaminated. To drain the oil, position a container under drain plug at end of reservoir and remove plug. Clean build up from the bottom of the reservoir. Use RIDGID Thread Cutting Oil for high quality threads and maximum die life. Reservoir in the base will hold approximately 5 qt (4,7 l) of thread cutting oil.

The oil pump should self-prime if the system is clean. If it does not, this indicates that the pump is worn and should be serviced. Do not attempt to prime the pump.

Replacing No. 764 Cutter Wheel

If the cutter wheel becomes dull or broken, push cutter wheel pin out of frame and check for wear. If needed replace pin, and install new Cutter Wheel (see RIDGID catalog). Lubricate pin with light lubricating oil.

Replacing Jaw Inserts

If Jaw inserts are worn out and do not grip pipe, they need to be replaced.

1. Place screwdriver in insert slot and turn 90 degrees in either direction. Remove insert (Figure 31).

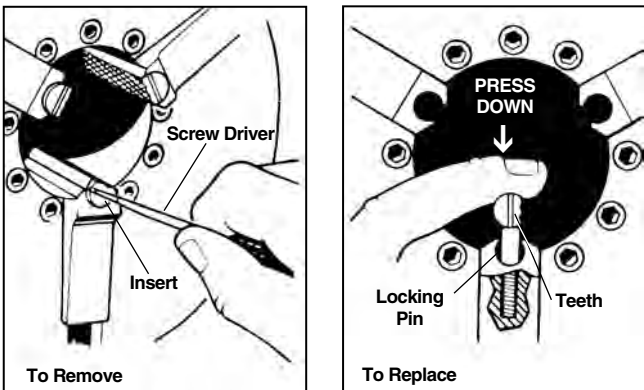


Figure 31 – Replacing Jaw Inserts

2. Place insert sideways on locking pin and press down as far as possible (Figure 31).
3. Hold insert down firmly, and with screwdriver, turn so teeth face up.

V-Belt Tension/Replacement

When lubricating the grease fittings, check v-belt tension. Apply moderate finger force (about 4 pounds (2 kg)) to the midpoint of the belt. Belt should deflect approximately 1/8" (3mm) (Figure 32).

1. Loosen setscrew and 5/16" nut that lock the motor bracket to the rail.
2. Loosen the 1/4" screw that retains the belt tensioner and pull the belt tensioner back.

3. If changing the belt, loosen the four fasteners that hold the motor to the motor bracket and slide the motor towards the pulley. Remove and replace belt. Slide motor away from pulley and secure fasteners that hold motor to bracket.
4. Push the belt tensioner forward until belt is properly tensioned. Tighten 1/4" screw.
5. Secure setscrew and 5/16" nut that lock the motor bracket to the rail.

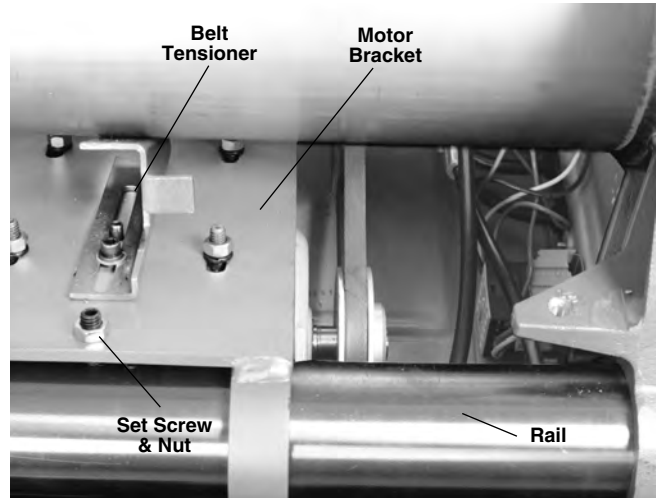


Figure 32 – Motor Bracket and Belt Tensioner

Optional Equipment

⚠ WARNING

To reduce the risk of serious injury, only use equipment specifically designed and recommended for use with the 1224 Threading Machine.

Catalog No.	Model No.	Description
26212	764	¼" to 4" Wheel-Type Cutter
26217	744	¼" to 4" Blade-Type Reamer
34577	–	¼" to 4" Reamer Blade
26187	–	Jaw Insert and Roll Set for PE-Coated Pipe
Die Heads		
26132	711	Universal Self-Opening R.H., NPT
26142	713	Universal Quick-Opening L.H., NPT
26152	714	Receding Self-Opening R.H., NPT
26137	911	Universal Self-Opening R.H., BSPT
26147	913	Universal Quick-Opening L.H., BSPT
26157	914	Receding Self-Opening R.H., BSPT
26162	541	Quick-Opening Bolt L.H./R.H. (¼" to 1" sizes)
26167	542	Quick-Opening Bolt L.H./R.H. (1/8" to 2" sizes)
55447	725	Cut-Grooving Die Head
57497	–	2½" to 3½" Grooving Die Set
57507	–	2½" to 3½" Grooving Bit only
57492	–	4" Grooving Die Set
57502	–	4" Grooving Bit only
55452	766	Blade Type Cutter
58712	–	Cut-Off Tool Bit (for 766)
Stands		
92457	100A	Universal Leg & Tray Stand
92462	150A	Universal Wheel & Tray Stand
92467	200A	Universal Wheel & Cabinet Stand
22563	–	Steel Cabinet
Nipple Chucks		
51005	819	Nipple Chuck ½" to 2" NPT
68160	819	Nipple Chuck ½" to 2" BSPT
34157	419	Nipple Chuck 2½" NPT
34162	419	Nipple Chuck 3" NPT
34167	419	Nipple Chuck 4" NPT
34172	419	Nipple Chuck 2½" BSPT
34177	419	Nipple Chuck 3" BSPT
34182	419	Nipple Chuck 4" BSPT

For a complete listing of RIDGID equipment available for the 1224 Threading Machine, see the Ridge Tool Catalog online at RIDGID.com or call Ridge Tool Technical Service Department (800) 519-3456, from the U.S. and Canada.

Thread Cutting Oil Information

Read and follow all instructions on the threading oil label and Safety Data Sheet (SDS). Specific information about RIDGID Thread Cutting Oils, including Hazard Identification, First Aid, Fire Fighting, Accidental Release Measures, Handling and Storage, Personal Protective Equipment, Disposal and Transportation, is included on the container and SDS. SDS is available at RIDGID.com or by contacting Ridge Tool Technical Service Department at (800) 519-3456 in U.S. and Canada or rttechservices@emerson.com.

Machine Storage

⚠ WARNING The Threading Machine must be kept indoors or well covered in rainy weather. Store the machine in a locked area that is out of reach of children and people unfamiliar with threading machines. This machine can cause serious injury in the hands of untrained users.

Service And Repair

⚠ WARNING

Improper service or repair can make machine unsafe to operate.

The *Maintenance Instructions* will take care of most of the service needs of this machine. Any problems not addressed by this section should only be handled by an authorized RIDGID service technician.

Tool should be taken to a RIDGID Independent Service Center or returned to the factory. Only use RIDGID service parts.

For information on your nearest RIDGID Independent Service Center or any service or repair questions:

- Contact your local RIDGID distributor.
- Visit RIDGID.com or RIDGID.eu to find your local RIDGID contact point.
- Contact Ridge Tool Technical Service Department at rttechservices@emerson.com, or in the U.S. and Canada call (800) 519-3456.

Disposal

Parts of the Threading Machine contain valuable materials and can be recycled. There are companies that specialize in recycling that may be found locally. Dispose of the components and any waste oil in compliance with all applicable regulations. Contact your local waste management authority for more information.



For EC Countries: Do not dispose of electrical equipment with household waste!

According to the European Guideline 2012/19/EU for Waste Electrical and Electronic Equipment and its implementation into national legislation, electrical equipment that is no longer usable must be collected separately and disposed of in an environmentally correct manner.

Troubleshooting

PROBLEM	POSSIBLE REASONS	SOLUTION
Torn threads.	Damaged, chipped or worn out dies. Incorrect cutting oil. Insufficient cutting oil. Dirty or contaminated oil. Die head not properly aligned with pipe. Improper pipe. Die head not properly set. Carriage not moving freely on rails.	Replace dies. Only use RIDGID® Thread Cutting Oil. Fill oil reservoir. Replace the RIDGID® Thread Cutting Oil. Clean chips, dirt or other foreign material from between die head and carriage. Recommend using with black or galvanized steel pipe. Pipe wall too thin – use schedule 40 or heavier pipe. Adjust die head to give proper size thread. Clean and lubricate carriage rails.
Out-of-round or crushed threads.	Die head set undersize. Pipe wall thickness too thin.	Adjust die head to give proper size thread. Use schedule 40 or heavier pipe.
Thin threads.	Dies inserted into head in wrong order. Forcing carriage feed handle during threading. Die head cover plate screws are loose.	Put dies in proper position in die head. Once dies have started thread, do not force carriage feed handle. Allow carriage to self-feed. Tighten screws.
No cutting oil flow.	Low or no cutting oil. Oil Screen Plugged. Die head not in the threading (DOWN) position.	Fill oil reservoir. Clean Screen. Move die head to the threading position.
Motor running but machine will not work.	V-belt loose. Worn out v-belt.	Tighten the v-belt. Replace the v-belt.
Pipe slips in jaws.	Jaw inserts loaded with debris. Jaws inserts worn out. Pipe not properly centered in jaw inserts. Chuck not tight on pipe.	Clean jaw inserts with wire brush. Replace jaw inserts. Make sure pipe is centered in jaw inserts, use the rear centering device. Use repeated and forceful spins of the hammer wheel to tighten speed chuck.

Fileteuses

1224



AVERTISSEMENT

Familiarisez-vous avec le mode d'emploi ci-présent avant d'utiliser l'appareil. Tout manquement aux consignes avancées dans ce manuel augmenterait les risques de choc électrique, d'incendie et/ou de blessure grave.

Fileteuses 1224

Enregistrez ici le numéro de série indiqué sur la plaque signalétique de l'appareil pour future référence.

N° de
série

--	--

Table des matières

Fiche d'enregistrement du numéro de série de la machine	21
Symboles de sécurité	23
Consignes de sécurité générales visant les appareils électriques	
Sécurité des lieux	23
Sécurité électrique	24
Sécurité individuelle	24
Utilisation et entretien des appareils	24
Service après-vente	25
Consignes de sécurité spécifiques	
Sécurité de la fileteuse transportable	25
Description, caractéristiques techniques et équipements de base	
Description	26
Caractéristiques techniques	26
Équipements de base	26
Montage de la machine	
Montage sur support	27
Montage sur établi	27
Inspection préalable	27
Préparation de la machine et du chantier	28
Préparation et utilisation des têtes de filière	
Dépose et montage des têtes de filière	29
Têtes de filière à ouverture rapide	29
Installation et remplacement des filières	29
Réglage du pas de filetage	30
Ouverture de la tête de filière en fin de filetage	30
Têtes de filière à ouverture automatique	30
Installation et remplacement des filières	31
Réglage du pas de filetage	31
Réglage de la coulisse de détente	31
Ouverture de la tête de filière en fin de filetage	31
Têtes de filière rétractables à ouverture automatique	32
Installation et remplacement des filières	32
Réglage du pas de filetage	32
Réglage pour filetage conique ou droit des tuyaux	33
Préparation de la tête de filière	33
Ouverture de la tête de filière en fin de filetage	34
Consignes d'utilisation	
Changement de vitesse de rotation	35
Réglage du volant du chariot	35
Coupe à l'aide du coupe-tubes n° 764	36
Alésage à l'aide de l'alésoir n° 744	36
Filetage des tuyaux	37
Filetage des ronds et boulons	37
Filetage à gauche	37
Chanfrein des tuyaux	38
Retrait des tuyaux de la machine	38
Contrôle des filetages	38
Préparation de la machine au transport	38
Consignes d'entretien	
Nettoyage	39
Lubrification	39
Entretien du système de lubrification	39
Remplacement du galet de coupe-tube n° 764	40
Remplacement des mors	40
Remplacement et réglage de la courroie d'entraînement	40
Accessoires	41
Huile de coupe	41
Stockage de la machine	42
Révisions et réparations	42
Recyclage	42
Dépannage	43
Garantie à vie	Page de garde

*Traduction de la notice originale.

Symboles de sécurité

Les symboles et mots clés utilisés à la fois dans ce mode d'emploi et sur l'appareil lui-même servent à signaler d'importants risques de sécurité. Ce qui suit permettra de mieux comprendre la signification de ces mots clés et symboles.



Ce symbole sert à vous avertir de risques d'accident potentiels. Le respect des consignes qui le suivent vous permettra d'éviter les risques d'accident grave ou potentiellement mortel.



Le terme **DANGER** signifie une situation dangereuse qui, faute d'être évitée, provoquerait la mort ou de graves blessures corporelles.



Le terme **AVERTISSEMENT** signifie une situation dangereuse potentielle qui, faute d'être évitée, serait susceptible d'entraîner la mort ou de graves blessures corporelles.



Le terme **ATTENTION** signifie une situation dangereuse potentielle qui, faute d'être évitée, serait susceptible d'entraîner des blessures corporelles légères ou modérées.



Le terme **AVIS IMPORTANT** indique des informations concernant la protection des biens.



Ce symbole indique la nécessité de bien se familiariser avec la notice d'emploi avant d'utiliser ce matériel. La notice d'emploi renferme d'importantes consignes de sécurité et d'utilisation du matériel.



Ce symbole indique la nécessité du port systématique de lunettes de sécurité fermées ou avec œillères lors de la manipulation ou de l'utilisation de ce matériel afin de limiter les risques de lésions oculaires.



Ce symbole signale un risque de blessure par l'enchevêtrement des doigts, des mains, des vêtements ou autres objets portés dans les engrenages de l'appareil.



Ce symbole signale un risque de blessure par l'enveloppement des doigts, des jambes, des vêtements ou autres objets portés autour des arbres rotatifs du matériel.



Ce symbole signale un risque de choc électrique.



Ce symbole signale un risque de blessure en cas de renversement de l'appareil.



Ce symbole interdit le port de gants lors de l'utilisation de l'appareil afin de limiter les risques de blessure.



Ce symbole indique la nécessité d'utiliser systématiquement la pédale de commande de l'appareil afin de limiter les risques de blessure.



Ce symbole interdit le débranchement de la pédale de commande afin de limiter les risques de blessure.



Ce symbole interdit de butée de la pédale de commande en position MARCHÉ afin de limiter les risques de blessure.

Consignes générales de sécurité*

⚠ AVERTISSEMENT

Familiarisez-vous avec l'ensemble des consignes de sécurité, consignes d'utilisation, illustrations et caractéristiques techniques ci-présentes afin d'éviter les risques de choc électrique, d'incendie et/ou de grave blessure corporelle.

Conservez l'ensemble des consignes de sécurité et d'utilisation pour future référence !

Le terme « appareil électrique » utilisé dans les consignes de sécurité vise à la fois les appareils électriques sur secteur et les appareils à piles.

Sécurité du chantier

- **Assurez la propreté et le bon éclairage des lieux.** Les chantiers encombrés ou mal éclairés sont une invitation aux accidents.
- **N'utilisez pas d'appareils électriques en présence de substances volatiles telles que liquides, gaz ou poussières combustibles.** Ce type de matériel risque de produire des étincelles susceptibles d'enflammer les poussières et émanations combustibles.
- **Eloignez les enfants et les curieux durant l'utilisation des appareils électriques.** Les distractions risquent de vous faire perdre le contrôle de l'appareil.

* Le texte utilisé dans les *Consignes générales de sécurité* du présent manuel est issu, comme de droit, directement de la norme UL/CSA 62841-1 applicable. Ce texte renferme des consignes de sécurité générales applicables à de nombreux types d'appareil différents. Toutes ces précautions ne sont pas applicables à tous les types d'appareil, et certaines ne s'appliquent pas à celui-ci.

Sécurité électrique

- **La fiche de l'appareil doit correspondre à la prise de courant utilisée. Ne jamais tenter de modifier la fiche d'une manière quelconque. Ne jamais utiliser d'adaptateur de prise sur les appareils équipés d'une fiche avec terre.** Des fiches électriques non modifiées avec prises de courant adaptées limitent les risques de choc électrique.
- **Évitez tout contact avec des objets reliés à la terre tels que canalisations, radiateurs, cuisinières et réfrigérateurs.** Tout contact avec la terre augmenterait les risques de choc électrique.
- **N'exposez pas les appareils électriques aux intempéries.** La moindre pénétration d'eau à l'intérieur de ces appareils augmenterait les risques de choc électrique.
- **Ne maltraitez pas le cordon d'alimentation de l'appareil. Ne jamais utiliser le cordon pour porter, tirer ou débrancher l'appareil. Éloignez le cordon de la chaleur, des matières grasses, des objets tranchants et des mécanismes.** Les cordons d'alimentation endommagés ou entortillés augmentent les risques de choc électrique.
- **Lors de l'utilisation de l'appareil à l'extérieur, prévoyez une rallonge électrique homologuée pour ce type d'emploi.** Ce type de rallonge limitera les risques de choc électrique.
- **S'il est inévitable d'utiliser l'appareil dans des endroits humides, prévoyez une source d'alimentation protégée par disjoncteur différentiel.** La présence d'un disjoncteur différentiel limitera les risques de choc électrique.

Sécurité individuelle

- **Soyez attentif, restez concentré et faites preuve de bon sens lors de l'utilisation de ce type d'appareil. Ne jamais utiliser ce matériel lorsque vous êtes fatigué ou sous l'influence de drogues, de l'alcool ou de médicaments.** Lors de l'utilisation d'un appareil électrique, un instant d'inattention risque d'entraîner de graves lésions corporelles.
- **Prévoyez les équipements de protection individuelle appropriés. Portez systématiquement une protection oculaire.** Selon le cas, le port d'un masque à poussière, de chaussures de sécurité antidérapantes, du casque ou d'une protection auriculaire peut aider à limiter les risques de lésion corporelle.
- **Évitez les risques de démarrage accidentel de l'appareil. Assurez-vous que son interrupteur marche/arrêt se trouve en position « arrêt » avant de le brancher, d'y installer un bloc-piles ou de le**

manipuler. Porter un appareil électrique avec son doigt sur la gâchette, ou bien brancher un appareil électrique lorsque son interrupteur est en position « marche », serait une invitation aux accidents.

- **Retirez toute clé ou dispositif de réglage éventuel avant de mettre l'appareil en marche. Maintenez une bonne assiette et un bon équilibre à tout moment.** Une clé ou tout autre dispositif de réglage engagé sur un élément mécanique pourrait provoquer un accident.
- **Ne vous mettez pas en porte-à-faux. Maintenez une bonne assiette et un bon équilibre à tout moment.** Cela assurera un meilleur contrôle de l'appareil en cas d'imprévu.
- **Habillez-vous de manière appropriée. Ne portez pas ni des vêtements trop amples, ni de bijoux. Éloignez vos cheveux et vos vêtements des mécanismes lorsque l'appareil fonctionne.** Les vêtements amples, les bijoux et les cheveux longs risquent d'être entraînés par les mécanismes en rotation.
- **Lorsque l'appareil est pourvu d'un système de récupération de poussière, s'assurer que le système est correctement connecté et utilisé.** Les systèmes de récupération de poussière peuvent limiter les risques associés à l'inhalation des poussières.
- **Ne laissez pas votre familiarité avec un appareil se développer en complaisance vis-à-vis des règles de sécurité applicables.** La moindre inattention peut occasionner un accident grave en un clin d'œil.

Utilisation et entretien de l'appareil

- **Ne pas forcer l'appareil. Prévoyez l'appareil le mieux adapté aux travaux envisagés.** Un appareil adapté produira de meilleurs résultats et un meilleur niveau de sécurité lorsqu'il fonctionne au régime prévu.
- **Ne pas utiliser d'appareil dont l'interrupteur marche/arrêt ne fonctionne pas correctement.** Tout appareil qui ne peut pas être contrôlé par son interrupteur est considéré dangereux et doit être réparé.
- **Débrancher l'appareil ou retirez son bloc-piles avant tout réglage, remplacement d'outils ou stockage.** De telles mesures préventives aideront à limiter les risques de démarrage accidentel de l'appareil.
- **Ranger tout appareil non utilisé hors de la portée des enfants. L'utilisation de cet appareil doit être strictement réservé à du personnel compétent disposant d'une formation adéquate.** Ce type d'appareil peut devenir dangereux entre les mains d'un novice.
- **Assurer l'entretien approprié de l'appareil et de ses accessoires. S'assurer de l'absence d'élé-**

ments grippés ou endommagés, voire toute autre anomalie susceptible de nuire au bon fonctionnement et à la sécurité de l'appareil. **Ne pas utiliser d'appareil endommagé avant sa réparation.** De nombreux accidents sont le résultat d'appareils mal entretenus.

- **Assurer l'affutage et la propreté des outils de coupe.** Des outils de coupe correctement entretenus et affûtés sont moins susceptibles de se gripper et sont plus faciles à contrôler.
- **Utiliser l'appareil, ses accessoires et ses outils de coupe selon les consignes ci-présentes, tout en tenant compte des conditions de travail et d'exécution envisagées.** Toute déviation de l'emploi prévu pour cet appareil électrique augmenterait les risques d'accident grave.
- **Assurer la parfaite propreté de toutes surfaces manipulables de l'appareil.** Lorsqu'ils sont encrassés, les leviers et autres points de prise en main peuvent nuire à la sécurité d'utilisation de l'appareil en cas d'imprévu.

Service après-vente

- **Confiez la révision de votre appareil électrique à un réparateur qualifié utilisant exclusivement des pièces de rechange d'origine.** Cela assurera la sécurité opérationnelle de l'appareil.

Consignes de sécurité spécifiques

⚠ AVERTISSEMENT

La section suivante contient d'importantes consignes de sécurité visant ce type d'appareil en particulier.

Afin de limiter les risques de choc électrique et autres lésions corporelles graves, familiarisez-vous avec celles-ci avant d'utiliser la fileteuse RIDGID 1224.

Conservez toutes consignes d'utilisation et de sécurité pour future référence !

Gardez ce manuel à portée de main de tout utilisateur éventuel.

Sécurité de la fileteuse

- **Nettoyez et séchez les sols à l'intérieur de la zone de travail.** Les sols glissants sont une invitation aux accidents.
- **Assurez un périmètre de sécurité d'un mètre autour de la zone de travail dès que l'ouvrage dépasse le**

gabarit de la machine. Une barrière ou barricade périmétrique positionnée au-delà de l'ouvrage limitera les risques d'enchevêtrement.

- **Ne jamais porter de gants.** Ceux-ci pourraient s'entortiller autour du tuyau ou se prendre dans le mécanisme et provoquer de graves blessures.
- **Ne jamais utiliser cette machine pour le perçage de trous, l'entraînement de treuils ou autres applications non prévues.** L'application non prévue ou la modification de la machine augmenterait les risques d'accident grave.
- **Arrimez la machine à un établi ou support indépendant. Soutenez les tuyaux lourds de grande longueur à l'aide de porte-tubes.** Cela limitera les risques de renversement de l'ensemble.
- **En cours d'opération, tenez-vous du côté de l'interrupteur de la machine.** Cela vous permettra de la contrôler sans avoir à vous pencher de l'autre côté.
- **Eloignez vos mains des tuyaux et raccords en rotation. Arrêtez la machine avant d'essayer ou de visser les raccords. Attendez que la machine soit complètement arrêtée avant de manipuler le tuyau.** Ceci limitera les risques d'enchevêtrement dans les mécanismes rotatifs.
- **Ne pas utiliser cette machine pour le montage ou démontage forcé des raccords. Cette machine n'est pas prévue pour ça.** Une telle pratique pourrait entraîner le blocage, l'enchevêtrement et la perte de contrôle de la machine.
- **Assurez-vous de la présence des carters de protection de la machine. Ne jamais utiliser cette machine sans ses carters de protection.** L'exposition de ses mécanismes augmenterait la probabilité d'enchevêtrement.
- **N'utilisez pas cette machine en l'absence d'une pédale de commande en bon état de marche.** La pédale de commande est un dispositif de sécurité qui assure l'arrêt immédiat de la machine en cas d'urgence.
- **Un seul individu doit se charger à la fois du fonctionnement de la machine et de sa pédale de commande.** Seul cet opérateur doit se trouver dans la zone de travail lorsque la machine tourne. Cela aidera à limiter les risques d'accident.
- **Ne jamais mettre les mains dans le mandrin avant ou le mandrin de centrage de la machine.** Cela augmenterait les risques d'enchevêtrement.
- **Avant d'utiliser cet appareil, et afin de limiter les risques d'accident grave, familiarisez-vous avec**

les consignes d'utilisation et de sécurité applicables à l'ensemble du matériel et des matériaux utilisés.

Au besoin, une déclaration de conformité CE (formulaire № 890-011-320.10) accompagnera cette notice.

En cas de questions concernant ce produit RIDGID® veuillez :

- Consulter le distributeur RIDGID® le plus proche ;
- Visiter le site RIDGID.com ou RIDGID.eu pour trouver le représentant RIDGID le plus proche ;
- A partir des Etats-Unis ou du Canada, vous pouvez consulter les services techniques Ridge Tool par e-mail adressé à rtctechservices@emerson.com ou en composant le (800) 519-3456.

Description, fiche technique et équipements de base

Description

La fileteuse RIDGID® N° 1224 est une machine à moteur électrique qui sert au centrage, maintien et rotation des tuyaux, conduits et ronds pleins pendant leur coupe, alésage et filetage. Ses filières se montent sur une variété de têtes de filière disponibles. Son système de lubrification à débit réglable assure la dispersion d'huile de coupe appropriée lors de l'opération de filetage.

Equipée des accessoires appropriés, la fileteuses RIDGID® 1224 peut servir au filetage ou rainurage des tuyaux, raccords et manchons de grand diamètre. La 1224 peut également servir au rainurage standard des tuyaux, ainsi qu'à la coupe et dénudage des tuyaux plastifiés.

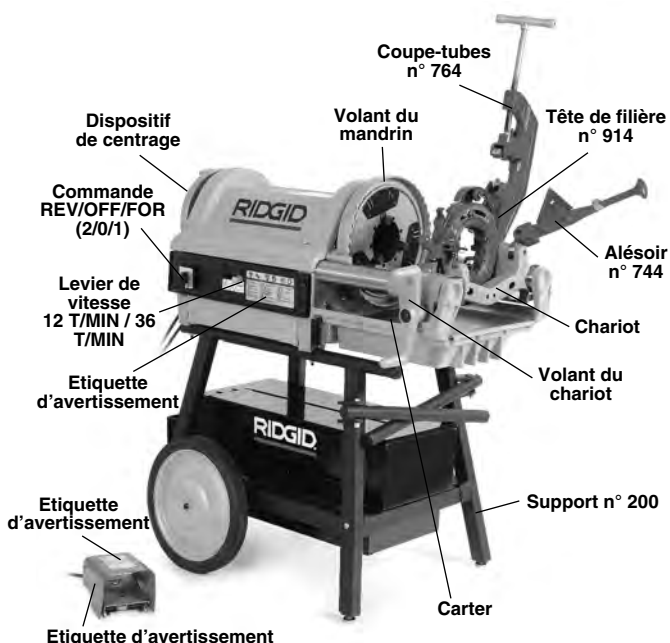


Figure 1 – Fileteuse 1224

Caractéristiques techniques

Capacité de filetage ...Tuyaux : ¼" à 4" (6 à 100 mm)
 Boulonnerie : ¼" à 2"
 (6 à 50 mm)

Filetages à gauche.....Avec têtes de filière appropriées

Moteur :

TypeA induction, monophasé
 (Consulter RIDGID pour les moteurs triphasés disponibles)

Puissance1½ CV (1,12 kW)

Tension d'alimentation.....1120V/60Hz ou 220-240V/50Hz
 (autres : consulter le catalogue RIDGID)

Régime de rotation.....12 ou 36 t/min

Commandes.....Commande rotative REV/OFF/FOR (2/0/1) et pédale de commande ON/OFF

Mandrin avantType marteau avec mors à bascule remplaçables

Dispositif de centrage arrière.....A cames

Têtes de filièreConsulter le catalogue RIDGID pour les têtes de filières disponibles

Coupe-tubesCoupe-tubes flottant à centrage automatique modèle 764 de ¼" – 4"

AlésoirModèle 744 à lames, ¼" – 4"

Système de lubrification.....Type Gerotor de 5 qt (4,7 l) à amorçage/inversion automatique et débit constant

Poids509 lb (231 kg)

Équipements de base

Reportez-vous au catalogue RIDGID pour les détails concernant les équipements fournis avec chaque référence de machine particulière.

La plaque signalétique de la fileteuse se trouve en bout de son embase. Les quatre derniers chiffres représente le mois et l'année de sa fabrication (12 = mois, 14 = année).



Figure 2 – Numéro de série de la machine

AVIS IMPORTANT Le choix des matériaux et des méthodes d'assemblage et d'installation appropriés appartient au concepteur et/ou installateur du réseau. La sélection de matériaux ou de méthodes inadaptes pourrait entraîner la défaillance du réseau.

L'acier inoxydable et autres matériaux anticorrosion peuvent être contaminés en cours d'installation, de raccordement ou de façonnage. Une telle contamination pourrait entraîner la corrosion et la défaillance prématurée du réseau. Il convient donc d'effectuer une étude préalable approfondie des matériaux et des méthodes utilisés en fonction des conditions d'exploitation envisagées avant toute intervention.

Montage de la machine

⚠ AVERTISSEMENT



Afin de limiter les risques d'accident grave en cours d'utilisation, respectez les consignes suivantes visant le montage de la machine.

Une fileteuse mal arrimée ou montée sur support instable risque de se renverser et provoquer de graves blessures.

L'interrupteur REV/OFF/FOR doit être en position OFF et la machine débranchée avant son montage.

Soulevez la machine de manière appropriée. La fileteuse RIDGID 1224 pèse 509 livres (231 kg).

Montage sur support

Cette fileteuse se monte sur plusieurs types de supports de fileteuse RIDGID. Reportez-vous au catalogue RIDGID pour leurs caractéristiques, puis aux fiches techniques correspondantes pour leur emploi.

Montage sur établi

Cette machine peut aussi être montée sur un établi stable et de niveau. Montez la fileteuse sur un établi à l'aide de quatre boulons de $\frac{3}{8}$ " passés par les orifices prévus à chaque coin de l'embase de la machine. Le gabarit des orifices d'embase est de 19,88" x 15,5" (505 x 394 mm). Serrez à fond.

Inspection préalable

⚠ AVERTISSEMENT



Examinez la fileteuse avant chaque intervention et corrigez toute anomalie éventuelle afin d'assurer son bon fonctionnement et limiter les risques de choc électrique, écrasement et autres blessures graves.

1. Assurez-vous que la machine est débranchée et que son interrupteur REV/OFF/FOR se trouve en position OFF.
2. Nettoyez la fileteuse afin d'éliminer toutes traces d'huile, de cambouis et de crasse, y compris au niveau de ses leviers et commandes. Cela facilitera l'inspection de la machine et assurera une meilleure prise en main de ses commandes et leviers. Nettoyez et entretenez la fileteuse selon les consignes d'entretien.
3. Examinez la fileteuse, et notamment les points suivants :
 - L'état du cordon d'alimentation de la machine et de sa fiche pour signes de détérioration ou de modification.
 - L'assemblage, intégralité et bon entretien de la machine.
 - La présence d'éléments brisés, usés, manquants, désalignés, grippés ou autrement endommagés.
 - La présence et le bon fonctionnement de la pédale de commande. Vérifiez que la pédale de commande est branchée, en bon état, et que son mouvement est fluide (sans points durs).
 - La présence et la lisibilité des étiquettes de sécurité (Figures 1).
 - L'état des filières, du galet de coupe et des tranchants de l'alésoir. Les outils de coupe émoussés ou endommagés surchargent la machine, produisent de piètre résultats et augmentent les risques d'accident.

- Toute autre anomalie susceptible de nuire au bon fonctionnement et à la sécurité de la machine.

Le cas échéant, ne pas utiliser la fileteuse avant d'avoir corrigé toute anomalie éventuelle.

4. Examinez et maintenez l'ensemble du matériel accessoirement utilisé selon les consignes applicables afin d'assurer son bon fonctionnement.

Préparation de la machine et des lieux

⚠ AVERTISSEMENT



Préparer la fileteuse et le chantier selon les consignes suivantes afin d'assurer le bon fonctionnement de l'ensemble et limiter les risques de choc électrique, renversement de la machine, enchevêtrement ou écrasement des membres et autres accidents.

La machine doit être montée sur un support ou établi stable. Soutenez les tuyaux de manière appropriée. Cela limitera les risques de chute des tuyaux, de renversement de la machine et de graves blessures corporelles.

Ne jamais utiliser de fileteuse qui n'est pas équipée d'une pédale de commande en bon état de fonctionnement. La pédale de commande assure un meilleur contrôle de la machine en l'arrêtant automatiquement dès que vous la lâchez.

1. Examinez les lieux pour :
 - Un éclairage suffisant.
 - La présence de liquides, émanations ou poussières inflammables. Le cas échéant, n'intervenez pas avant d'avoir identifié, neutralisé ou éliminé leur source, et que la zone ait été entièrement ventilée. Ces fileteuses ne sont pas blindées et risquent de produire des étincelles.
 - Un endroit dégagé, de niveau, stable et sec pour l'ensemble du matériel et l'opérateur.
 - Une bonne ventilation. Ne pas utiliser de manière prolongée dans des lieux exigus et renfermés.
 - La présence d'une prise de courant de tension adaptée et terre appropriée. Se reporter à la fiche signalétique de la machine pour la tension d'alimentation nécessaire. Toute prise de courant à trois orifices ou prise avec disjoncteur différentiel n'est pas obligatoirement reliée à la terre. En cas de doute, faites contrôler la prise par un électricien.
2. Inspectez le tuyau à fileter ainsi que les raccords associés. Sélectionnez le matériel approprié en vous reportant aux caractéristiques techniques. Ne filetez que des longueurs rectilignes. Ne pas tenter de fileter des tuyaux avec raccords ou autres accessoires déjà montés. Cela augmenterait les risques d'enchevêtrement.
3. Transportez le matériel jusqu'au lieu d'intervention. Reportez-vous au chapitre *Préparation de la machine au transport* pour les consignes applicables.
4. Vérifiez que l'ensemble du matériel utilisé a été correctement inspecté et assemblé.
5. Assurez-vous que l'interrupteur REV/OFF/FOR se trouve en position « OFF ».
6. Vérifiez que la tête de filière est équipée des filières appropriées. Au besoin, installez et/ou réglez les filières selon les indications du chapitre *Préparation et utilisation de la tête de filière*.
7. Relevez le coupe-tubes, l'alésoir et la tête de filière pour les écarter du poste de travail. Assurez-vous que ces trois éléments sont stables et ne risqueront pas de retomber.
8. Si le tuyau doit dépasser le tiroir à copeau à l'avant de la machine ou saillir de plus de 2 pieds (60 cm) à l'arrière, prévoyez des porte-tubes pour le soutenir et éviter le renversement ou la chute de l'ensemble. Alignez les porte-tubes avec le mandrin de la machine et à mi-chemin de la longueur du tuyau débordant. Le soutien des tuyaux de longueur plus importante pourra nécessiter l'emploi de plusieurs porte-tubes. Utilisez des porte-tubes spécifiquement prévus pour ce type d'application. L'emploi de porte-tubes inadaptés ou le soutien manuel du tuyau augmenterait les risques de renversement de l'ensemble et de blessures par enchevêtrement.
9. Limitez l'accès au chantier ou prévoyez des barrières ou barricades créant un périmètre de sécurité d'au moins 3 pieds (1 m) autour de la fileteuse et du tuyau. Cela aidera à éviter l'incursion d'autrui et les risques qu'ils pourraient courir en cas de contact ou d'enchevêtrement avec la machine ou le tuyau.
10. Placez la pédale de commande comme indiqué à la *Figure 18* afin d'assurer la position de travail appropriée.
11. Vérifiez le niveau d'huile de coupe RIDGID. Retirez le tiroir à copeaux et l'insert du carter d'huile pour vous assurer que le tamis d'huile est entièrement submergé. Reportez-vous au chapitre *Entretien du système de lubrification*.
12. Avec l'interrupteur REV/OFF/FOR en position « OFF », acheminez le cordon d'alimentation le long d'un pas-

sage dégagé. Avec les mains sèches, branchez le cordon dans une prise avec terre appropriée. Gardez toutes connexions électriques au sec et surélevées. Si le cordon d'alimentation n'est pas suffisamment long pour atteindre la prise de courant désignée, prévoyez une rallonge électrique :

- En bon état,
- Équipée d'une fiche à trois barrettes comme celle du cordon d'alimentation de la fileteuse,
- Homologuée pour utilisation à l'extérieur.
- De section suffisante. Les rallonges d'une longueur maximale de 50 pieds (15,20 m) doivent avoir des fils conducteurs d'au moins 16 AWG (1,5 mm²), et celles de 50 à 100 pieds (15,20 à 30,5 m), des fils conducteurs d'au moins 14 AWG (2,5 mm²).

13. Vérifiez le bon fonctionnement de la fileteuse. Tout en gardant vos mains à l'écart des mécanismes :

- Mettez l'interrupteur REV/OFF/FOR en position « FOR », puis appuyez momentanément sur la pédale de commande. Le mandrin devrait alors se mettre à tourner en sens antihoraire (vu depuis le chariot). Répétez l'opération avec l'interrupteur en position « REV » pour vérifier que le mandrin tourne cette fois-ci en sens horaire. Si la fileteuse ne tourne pas dans le sens prévu ou que la pédale de commande ne fonctionne pas normalement, il sera nécessaire de faire réviser la machine avant toute utilisation ultérieure.
- Appuyez sur la pédale de commande et tenez-la appuyée le temps nécessaire pour tenter de déceler d'éventuelles anomalies telles que le désalignement ou grippage de ses mécanismes, des bruits anormaux ou toute autre condition inhabituelle, puis levez le pied. Toute anomalie éventuelle devra être corrigée avant d'utiliser la machine à nouveau.
- Rabattez la tête de filière, puis appuyez sur la pédale de commande. Vérifiez le débit d'huile à travers la tête de filière. Lâchez la pédale de commande. Au besoin, reportez-vous au chapitre *Entretien du système de lubrification*.

14. Mettez l'interrupteur REV/OFF/FOR en position « OFF », puis avec les mains sèches, débranchez la machine.

Préparation et utilisation des têtes de filière

La fileteuse n° 1224 peut recevoir une variété de têtes de filière RIDGID pour le filetage des tuyaux et ronds. Consultez le catalogue RIDGID pour l'ensemble des têtes de filière disponibles.

Les têtes de filière pour tuyaux équipées de filières universelles nécessitent un jeu de filières dédié à chacune des sections ou sections multiples de tuyau suivantes : (1/8"), (1/4" et 3/8"), (1/2" et 3/4"), (1" à 2"). Les filières NPT et NPSM sont réservées aux têtes de filières NPT, tandis que les filières BSPT et BSPP doivent être montées sur des têtes de filière BSPT. La barre graduée de la machine affiche les repères pour chaque type de tête.

Les têtes de filière utilisant des filières pour boulonnerie nécessitent un jeu de filières spécifique pour chaque dimension de filetage.

Consultez le catalogue RIDGID pour les filières adaptées à votre tête de filière particulière.

Coupez systématiquement un filetage témoin après chaque changement ou réglage des filières afin de vérifier la conformité du pas.

Retrait et montage des têtes de filière

Engagez ou retirez l'axe de tête de filière de l'orifice correspondant du chariot. Lorsqu'il est engagé à fond, la tête de filière sera tenue en place. Une fois montée, la tête de filière peut soit pivoter sur l'axe afin de l'aligner sur le tuyau, soit être relevée et dégagée pour permettre l'utilisation du coupe-tubes ou de l'alésoir.

Têtes de filière à ouverture rapide

Les têtes de filière à ouverture rapide utilisées comprennent les modèles 713 et 913, ainsi que les modèles pour boulonnerie 541 et 542. Celles-ci s'ouvrent et se ferment manuellement en fonction de longueurs de filetage prédéterminées par l'utilisateur.

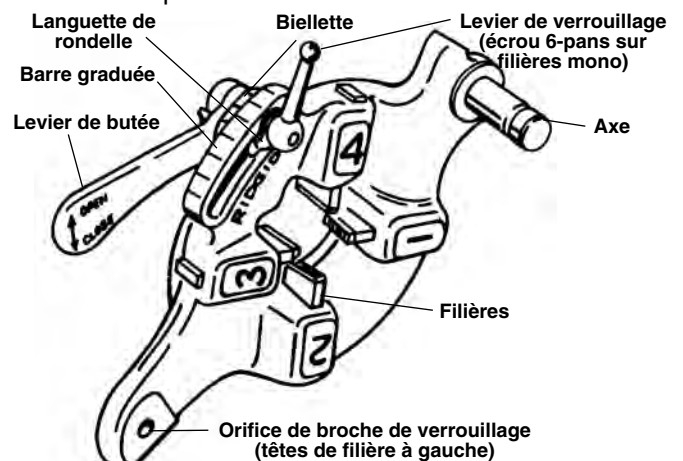


Figure 3 – Tête de filière à ouverture rapide

Insertion et remplacement des filières

1. Posez la tête de filière avec ses chiffres en haut.
2. Ouvrez le levier de butée (Figure 4).

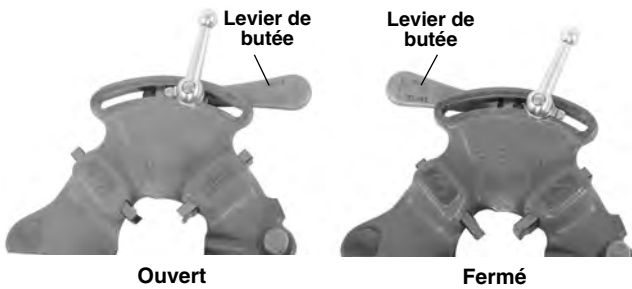


Figure 4 – Levier ouvert et fermé

3. Desserrez le levier de verrouillage d'environ trois tours.

4. Dégagez la languette de la rondelle de la barre graduée, puis amenez la rondelle jusqu'en fin de course (Figure 5).

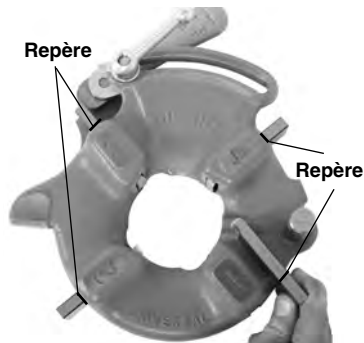


Figure 5 – Insertion des filières

6. Insérez les filières appropriées dans la tête de filière avec leur chiffre en haut jusqu'à ce que leur repère arrive à fleur de la tête (Figure 5). Les chiffres estampés sur les filières doivent correspondre à ceux des logements de la tête. Les filières doivent toujours être remplacées au complet. Ne jamais mélanger des filières issues de différents jeux.

7. Alignez l'index de la biellette sur le repère approprié de la barre graduée. Réglez l'insertion des filières selon besoin pour leur assurer un débattement suffisant. La languette de la rondelle devrait alors s'engager dans l'encoche de gauche.

8. Serrez le levier de verrouillage.

Réglage du pas de filetage

1. Montez la tête de filière selon les consignes du mode d'emploi et mettez-la en position de filetage.

2. Desserrez le levier de verrouillage.

3. Commencez par aligner le repère de la biellette avec le repère dimensionnel voulu de la barre graduée. Sur les têtes de filière Mono et Boulonnerie, alignez le repère de la biellette sur le repère de base de la barre graduée. Pour le filetage de boulonnerie avec une tête de filière universelle, alignez les filières de boulonnerie sur le repère « BOLT » de la barre graduée (Figure 6).

4. Lorsqu'il est nécessaire d'ajuster le pas de filetage, amenez le repère de base de la biellette légèrement en

direction de la marque « OVER » de la barre graduée pour élargir le pas de filetage (moins de tours d'engagement), ou bien en direction de la marque « UNDER » pour le resserrer (un nombre de tours d'engagement plus important).

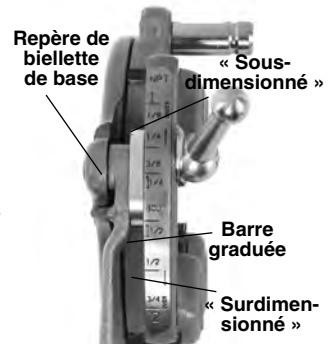


Figure 6 – Réglage du pas de filetage

5. Serrez le levier de verrouillage.

Ouverture de la tête de filière en fin de filetage

En fin de filetage :

- Filetage des tuyaux – L'extrémité du tuyau fileté arrive à fleur de la filière n° 1.
- Filetage de boulonnerie – Filetez la longueur voulue en faisant attention à une interférence éventuelle au niveau du mécanisme.

Ramenez le levier de butée à la position ouverte pour rétracter les filières.

Têtes de filière à ouverture automatique

Les têtes de filière à ouverture automatique comprennent les têtes à pas à droite 711 NPT et 911 BSPT. Pour les tuyaux de 1/2" à 2" de diamètre, une détente sert à ouvrir la tête lorsque le filetage du tuyau est terminé. Pour la boulonnerie et les filetages droits de 1/8" à 3/8" de diamètre, ainsi que pour les autres diamètres, la tête de filière s'ouvre manuellement en fin de filetage.

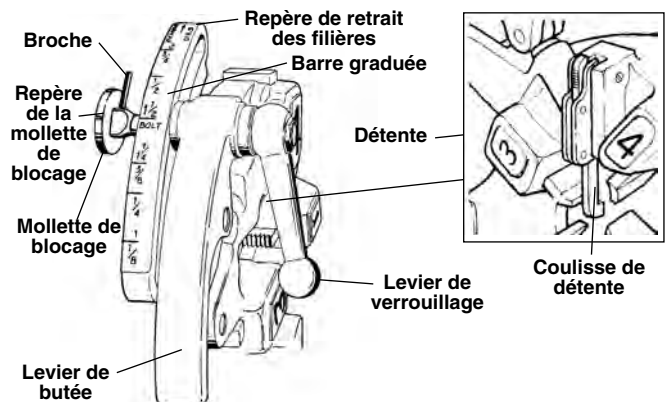


Figure 7 – Tête de filière à ouverture automatique universelle

Insertion et remplacement des filières

1. Posez la tête de filière, chiffres en haut.
2. Vérifiez que la détente est désarmée et que la tête de filière est ouverte en tirant sur la coulisse de détente.

Eloignez-vous du levier à ressort de la butée lorsque vous lâchez la détente.

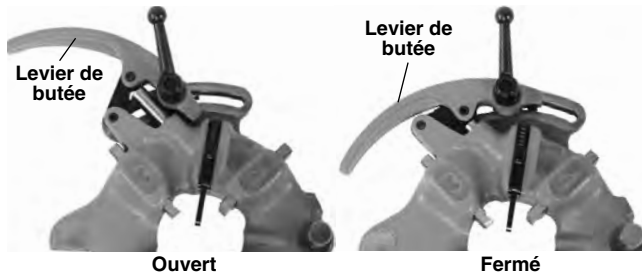


Figure 8 – Levier ouvert et fermé

3. Desserrez le levier de verrouillage d'environ six tours complets.
4. Tirez sur la mollette de blocage suffisamment pour l'extraire de la barre graduée et permettre à la broche de passer. Positionnez la barre graduée de manière à aligner le repère de la mollette sur le repère de retrait des filières « REMOVE DIES ».
5. Retirez les filières de la tête de filière.

6. Insérez les filières appropriées (chiffre en haut) en les enfonçant jusqu'à ce que leur repère arrive à fleur du rebord de la tête (Figure 9). Les chiffres des filières doivent correspondre à ceux des logements correspondants de la tête de filière. Remplacez systématiquement le jeu de filières au complet. Ne mélangez pas les filières issues de différents jeux.

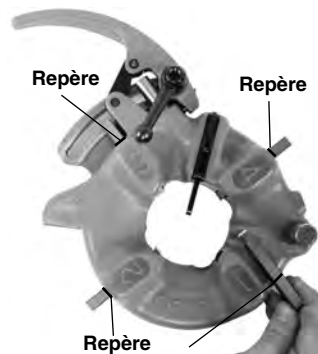


Figure 9 – Insertion des filières

7. Tournez la barre graduée de manière à aligner le repère dimensionnel voulu sur le repère de la mollette de blocage. Au besoin, réglez la tension des filières afin d'assurer leur libre mouvement.
8. Vérifiez que la broche est orientée vers le repère de retrait des filières « REMOVE DIES ».
9. Fermez le levier de verrouillage.

Réglage du pas de filetage

1. Montez la tête de filière selon les consignes du mode d'emploi de la fileteuse, puis mettez-la en position de filetage.
2. Desserrez le levier de verrouillage.
3. Positionnez la barre graduée de manière à aligner le repère de la mollette de blocage sur le diamètre voulu de la barre graduée.

4. S'il est nécessaire de modifier le pas du filetage, amenez le repère de la mollette de blocage légèrement en direction de la marque « OVER » pour obtenir un filetage plus large (moins de tours avant de buter) ou « UNDER » pour un filetage plus serré (plus de tours avant de buter).

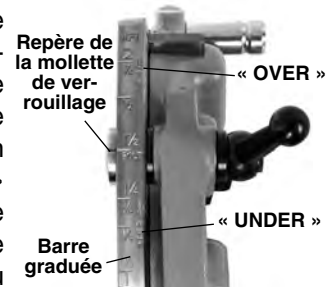


Figure 10 – Réglage du filetage

5. Refermez le levier de verrouillage.

Réglage de la coulisse de détente

Positionnez la coulisse selon la section du tuyau à fileter (Figure 11).

- Ø ½" et ¾" – L'extrémité du tuyau doit toucher le talon de la coulisse de détente.
- Ø 1" à 2" – L'extrémité du tuyau doit toucher le bras de la coulisse de détente.

Pour :

- Les tuyaux Ø ⅜", ¼" et ¾"
- Les filetages plus longs ou plus courts
- Le filetage de boulonnerie

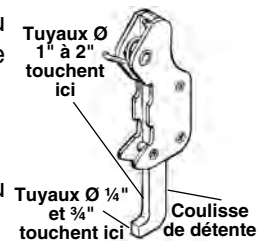


Figure 11 – Réglage de la détente

Repoussez la coulisse de détente dans son logement pour l'escamoter.

Ouverture de la tête de filière en fin de filetage

Lors de l'utilisation de la détente, celle-ci ouvrira la tête de filière automatiquement dès qu'elle touche l'extrémité du tuyau. Ecartez-vous du levier de butée à ressort lorsqu'il s'ouvre.

Pour ouvrir la tête de filière manuellement (coulisse de détente escamotée) en fin de filetage :

- Filetages coniques – L'extrémité du tuyau arrive à fleur de l'extrémité de la filière no 1.
- Boulonnerie et filetages droits – Filetez la longueur voulue en faisant attention aux interférences éventuelles.

Ouvrez le levier de butée pour désengager les filières.

Têtes de filière rétractables à ouverture automatique types 714 et 914

La fileteuse utilise les têtes de filière rétractables à ouverture automatique types 714 (NPT et NPSM) et 914 (BSPT et BSPP) pour le filetage des tuyaux de 2½" à 4" de diamètre. Celles-ci peuvent être réglées pour tailler des filets droits ou coniques.

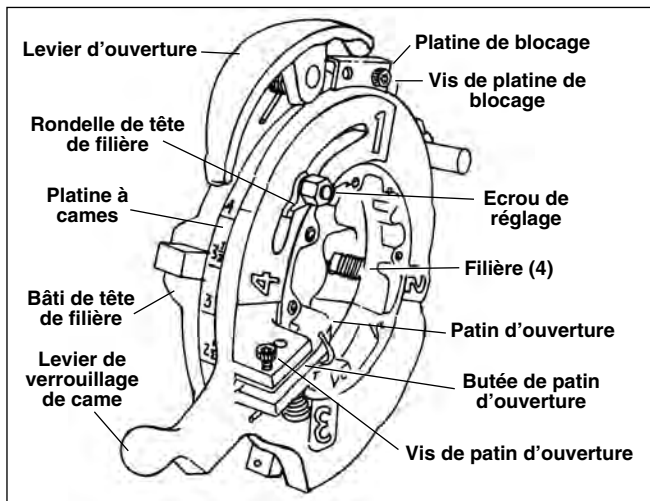


Figure 12 – Tête de filière rétractable à ouverture automatique

Insertion et remplacement des filières

1. Posez la tête de filière, chiffres en haut.
2. Vérifiez l'ouverture du patin d'ouverture et de la tête de filière en le ramenant entièrement en arrière. Evitez d'entrer en contact avec les éléments mobiles sous tension lors de l'ouverture.
3. Desserrez l'écrou de réglage, puis retirez le talon de la rondelle de tête de filière de son logement.

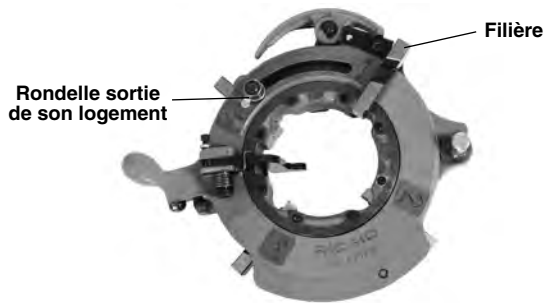


Figure 13 – Insertion des filières

4. Tournez la platine à cames vers les diamètres de tuyaux supérieurs jusqu'à ce que la vis de réglage arrive en fin du logement.

5. Retirez les filières de la tête de filière.

Introduisez les filières appropriées dans la tête de filière avec leurs chiffres en haut. Les chiffres des filières doivent correspondre à ceux des logements de la tête de filière (Figure 13). Les logements de filière sont équipés de détentes à bille qui s'engagent dans la rainure des filières lorsque celles-ci sont engagées à fond. Changez le jeu de filières au complet – Ne jamais mélanger les filières issues de différent jeux.

6. Tournez la platine à cames jusqu'au repère correspondant au diamètre voulu.
7. La languette de la rondelle devrait s'être engagée dans la rainure côté gauche. Serrez l'écrou de réglage.

Réglage du pas de filetage

1. Installez la tête de filière selon les instructions de la machine à fileter, puis amenez-la en position de filetage.
2. Desserrez l'écrou de réglage.
3. Alignez le repère de la tête sur le repère dimensionnel voulu de la barre graduée de la platine à came.
4. Si le filetage a besoin de réglage, amenez ce repère légèrement en direction de la taille supérieure de la barre graduée pour obtenir un pas plus large (moins de tours d'engagement du raccord) ou en direction de la taille inférieure de la barre pour un pas plus serré (plus de tours d'engagement du raccord) comme indiqué sur la barre graduée



Figure 14 – Réglage du pas de filetage

5. Serrez l'écrou de réglage.

Réglage pour filetage conique ou droit des tuyaux

1. Notez que l'ensemble des réglages de filetage conique (NPT ou BSPT, selon la tête de filière utilisée) indiqués à la Figure 15 se font vers l'intérieur.
 - (1) Avancez la platine de blocage sous le levier d'ouverture, puis immobilisez-la en introduisant sa vis de fixation dans l'orifice « NPT/BSPT ».
 - (2) Avancez le patin d'ouverture vers le tuyau.
 - (3) Décrochez le loquet et laissez la barre à sine s'avancer vers la tête de filière. Rabattez le loquet contre la barre à sine afin de la protéger.
2. Notez que l'ensemble des réglages de filetage droit (NPSM ou BSPP, selon la tête de filière utilisée) indiqués à la Figure 15 se font vers l'extérieur.
 - (1) Retirez la platine de blocage du levier d'ouverture, puis immobilisez-la en introduisant sa vis de fixation dans l'orifice « NPSM/BSPP ».
 - (2) Eloignez le patin d'ouverture du tuyau, puis serrez sa vis de fixation.

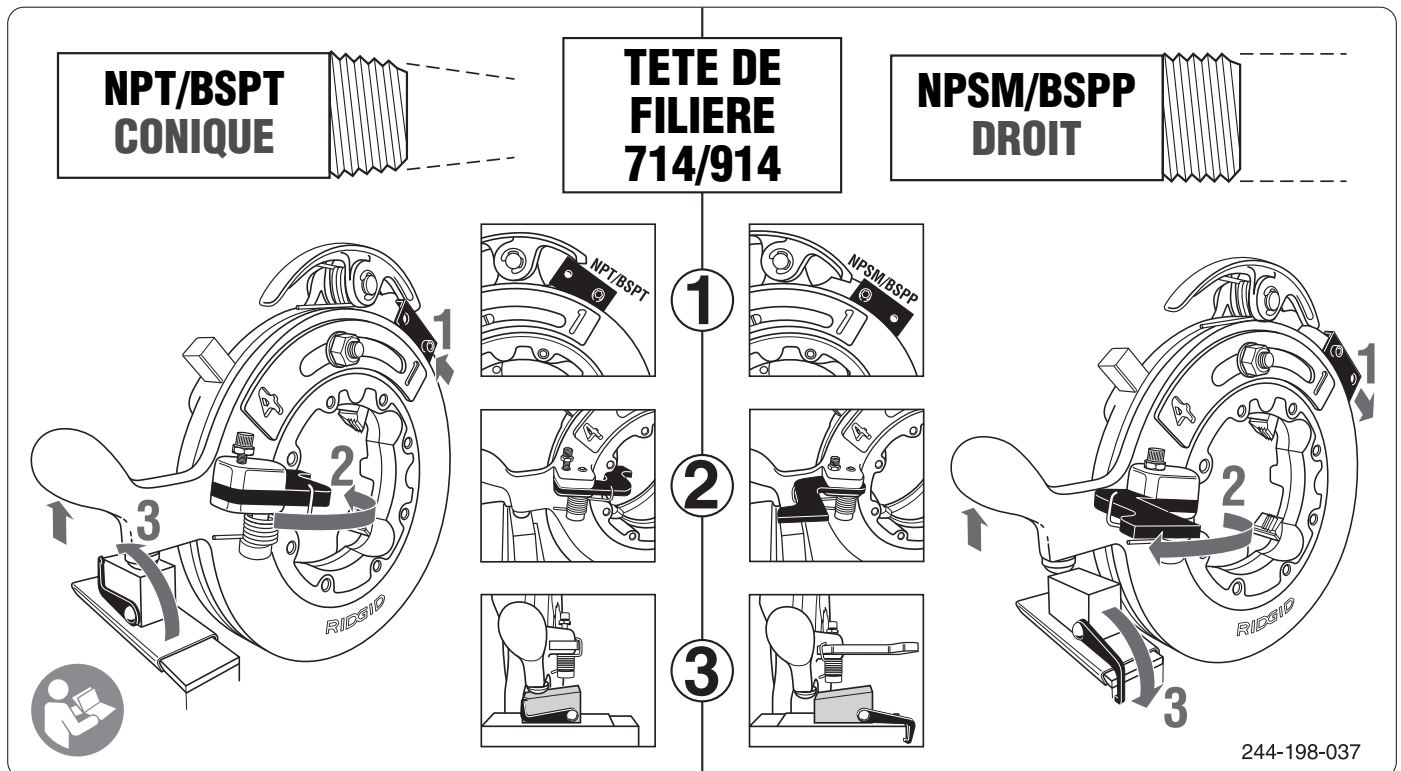


Figure 15 – Réglage pour filetage conique ou droit des tuyaux

- (3) Eloignez la barre à sine de la tête de filière, puis tournez son loquet vers le bas pour l'accrocher dans l'orifice qui se trouve en bout du chariot.

Préparation de la tête de filière

Rabaissez la tête de filière pour la mettre en position de filetage.

Appuyez fermement sur le levier de blocage de la platine à came pour armer et fermer la tête de filière (Figure 16).

- Lors des filetages coniques, le patin d'ouverture s'engagera vers le tuyau et la surface sphérique de la platine de verrouillage à came reposera sur la barre à sine.
- Lors des filetages droits, le levier d'ouverture s'engagera dans l'encoche de la platine de verrouillage à came, et la tête de filière ne touchera pas la barre à sine.

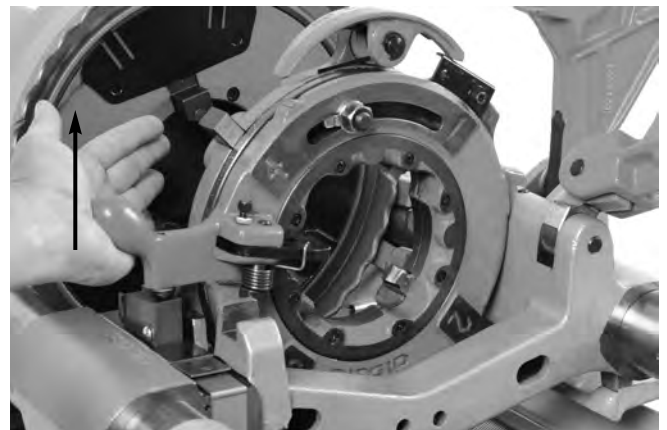


Figure 16 – Fermeture de la tête de filière rétractable

Ouverture de la tête de filière en fin de filetage

- Filetages coniques : en fin de filetage, la surface sphérique de la platine de verrouillage à came quitte la barre à sine et ouvre la tête de filière.
- Filetages droits : filetez la longueur voulue, puis ouvrez la tête de filière manuellement en appuyant sur le levier d'ouverture – faites particulièrement attention à d'éventuelles interférences mécaniques.

Consignes d'utilisation

⚠ AVERTISSEMENT



Ne jamais porter de gants ni de vêtements amples. Boutonner les manches et les blousons. Les vêtements amples risquent de s'enchevêtrer dans le mécanisme en rotation et entraîner l'écrasement ou le bris des membres.

Eloigner les mains des tuyaux et mécanismes en rotation. Arrêter la machine avant l'essuyage des filetages ou le montage des raccords. Ne jamais se pencher sur la machine ou le tuyau. Afin de limiter les risques d'écrasement et de bris des membres, attendre l'arrêt complet de la machine avant de toucher le tuyau ou ses mandrins.

Ne jamais utiliser cette machine pour l'engagement ou le déblocage forcé des raccords. Cela augmenterait les risques d'écrasement et de bris des membres.

Ne jamais utiliser de fileteuse qui n'est pas équipée d'une pédale de commande en bon état de marche. Ne jamais bloquer une pédale de commande en position de marche où elle ne pourra plus contrôler la fileteuse. Une pédale de commande assure un meilleur contrôle de la machine en assurant son arrêt immédiat dès qu'elle est relâchée. Si la machine continue de tourner dans le cas d'un enchevêtrement, son opérateur serait entraîné dans le mécanisme. Ce type d'appareil développe un couple suffisamment élevé pour écraser ou briser les os par simple entortillement d'un vêtement, voire provoquer d'autres lésions.

Un seul individu doit contrôler à la fois le processus de rainurage et la pédale de commande de la machine. Ne jamais tenter d'utiliser cette machine à plusieurs. En cas d'enchevêtrement, l'opérateur unique doit pouvoir contrôler la pédale de commande.

Respecter l'ensemble des consignes d'utilisation suivantes afin de limiter les risques d'enchevêtrement, de contusion, d'écrasement et autres blessures.

1. Assurez-vous que la machine et les lieux ont été correctement installés et que les curieux et autres distractions ont été écartés. L'utilisateur de la fileteuse doit être le seul individu présent lorsque la machine tourne.

Le coupe-tubes, l'alésoir et la tête de filière doivent tous être relevés et non en position opérationnelle. Assurez-vous que tous ces éléments restent stables et ne risquent pas de retomber. Ouvrez les mandrins de la fileteuse complètement.

2. Introduisez les tuyaux de moins de 2 pieds (60 cm) de long via l'avant de la machine. Tant que les tuyaux

plus longs saillent plus de l'arrière de la fileteuse que de l'avant de celle-ci, ils peuvent être introduits d'une extrémité ou l'autre. Vérifiez le bon positionnement des porte-tubes.

3. Au besoin, marquez le tuyau. Positionnez le tuyau de manière à ce que l'extrémité à couper, aléser ou fileter se trouve à environ 6" (15 cm) en avant du mandrin. S'il est trop rapproché, le chariot risque d'heurter la machine en cours de filetage et l'endommager.
4. Tournez le dispositif de centrage arrière en sens horaire (vu depuis l'arrière de la machine) pour engager le tuyau. Assurez-vous que le tuyau se trouve bien centré entre les mors. Cela améliorera le soutien du tuyau, ainsi que les résultats.
5. Tournez le volant du mandrin avant en sens antihoraire (vu depuis l'avant de la machine) afin de serrer le tuyau. Assurez-vous encore que le tuyau est bien centré entre les mors. Tournez le volant en sens antihoraire sèchement et à plusieurs reprises afin d'assurer la prise du mandrin avant sur le tuyau.

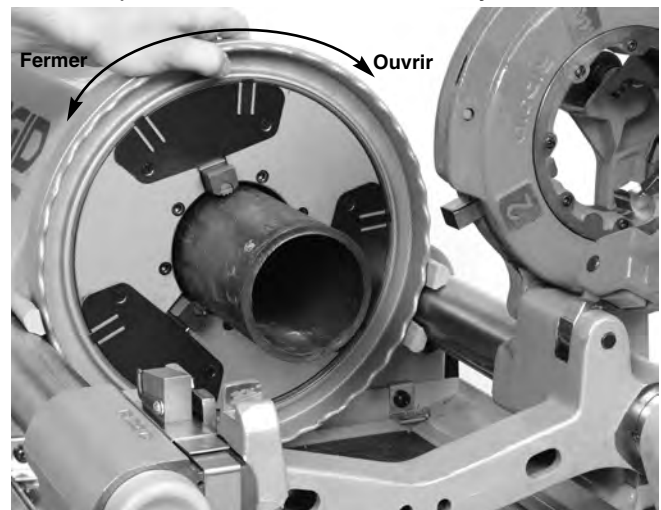


Figure 17 – Mandrinage des tuyaux



Figure 18 – Position de travail

6. Assumez la position de travail indiquée à la *Figure 18* afin de mieux contrôler à la fois la machine et le tuyau en cours d'opération.
 - Positionnez-vous du côté interrupteur REV/OFF/FOR de la machine, avec accès immédiat aux outils et commandes de la fileteuse.
 - Assurez-vous de pouvoir accéder à la pédale de commande. Ne pas appuyez sur la pédale de commande à ce stage. Assurez-vous de pouvoir libérer votre pied de la pédale en cas d'urgence.
 - Assurez-vous de pouvoir maintenir votre équilibre et de ne pas avoir à vous pencher sur la machine.

Changement de vitesse de rotation

La 1224 dispose de deux régimes de rotation : 12 et 36 t/min. A 36 t/min, la machine peut servir à la coupe et alésage des tuyaux allant jusqu'à 4" de diamètre, et au rainurage des tuyaux d'un diamètre maximal de 2". A 12 t/min, elle est capable de rainurer les tuyaux de plus de 2,5" de diamètre, ainsi que ceux en acier inoxydable et autres matériaux durs. Si la 1224 devait caler en cours

d'opération lorsqu'elle tourne à 36 t/min, lâchez immédiatement la pédale de commande, puis ramenez-la à 12 t/min.

Ne pas tenter de changer de régime de rotation en cours des opérations de coupe, d'alésage ou de filetage. La moindre résistance pourrait empêcher le changement des vitesses. Pour changer de régime de rotation :

1. Mettez l'interrupteur REV/OFF/FOR en position FOR.
2. Appuyez momentanément sur la pédale de commande pour lancer la rotation temporaire du mandrin.
3. Tant que le mandrin tourne encore, mais après avoir lâché la pédale de commande, déplacez le levier de vitesses.

Ces trois étapes sont indiquées sur l'étiquette du levier de vitesses (*Figure 19*).

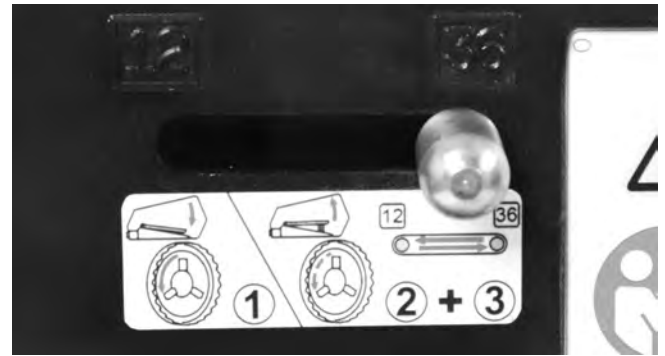


Figure 19 – Levier de vitesses et étiquette

Réglage du volant du chariot

La position du volant de chariot de la 1224 peut être modifiée afin d'améliorer sa prise en main.

1. Tirez sur le volant pour l'éloigner du chariot.
2. Tournez le volant d'un quart de tour. Le volant se réengagera automatiquement dans cette position.



Figure 20 – Réglage du volant du chariot

Utilisation du coupe-tubes n° 764

1. Ouvrez le coupe-tubes en tournant la vis d'avancement en sens antihoraire. Rabaissez le coupe-tubes pour le mettre en position sur le tuyau. Servez-vous du volant du chariot pour amener le coupe-tubes sur le tracé de coupe, puis alignez le galet de coupe sur le repère du tuyau. La coupe de sections filetées ou endommagées d'un tuyau risque d'endommager le galet de coupe.
2. Serrez la poignée de la vis d'avancement du coupe-tubes afin d'appuyer le galet de coupe contre le tuyau, tout en le gardant aligné sur le repère précité.
3. Mettez l'interrupteur REV/OFF/FOR en position FOR.
4. Tenez la poignée de la vis d'avancement du coupe-tubes des deux mains (Figure 21).
5. Appuyez sur la pédale de commande.
6. Serrez la poignée de la vis d'avancement d'un demi-tour par rotation du tuyau jusqu'à ce que ce dernier soit sectionné. Un serrage plus agressif de la poignée nuirait à la longévité du galet de coupe et accentuerait la formation de bavures. Ne tentez pas de soutenir la partie sectionnée du tuyau vous-même. Laissez la fileteuse et le port-tubes la soutenir.

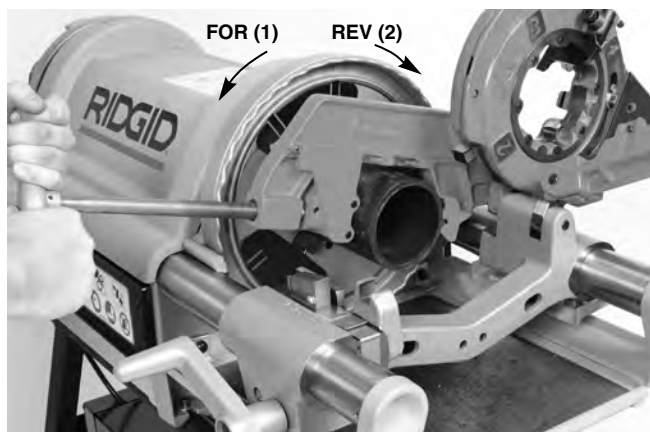


Figure 21 – Utilisation du coupe-tubes n° 764 et sens de rotation de la machine

7. Lâchez la pédale de commande.
8. Mettez l'interrupteur REV/OFF/FOR en position OFF.
9. Relevez le coupe-tubes et basculez-le en arrière.

Alésage des tuyaux à l'aide de l'alésoir n° 744

1. Mettez l'alésoir en position d'alésage. Assurez-vous qu'il est bien positionné et qu'il ne se déplacera pas en cours d'opération.

2. Mettez l'interrupteur REV/OFF/FOR en position FOR.
3. Prenez le volant du chariot des deux mains.
4. Appuyez sur la pédale de commande.
5. Tournez le volant du chariot pour faire avancer l'alésoir jusqu'au bout du tuyau. Appuyez un peu sur le volant du chariot pour engager l'alésoir dans le tuyau jusqu'à élimination des bavures.



Figure 22 – Alésage du tuyau

6. Lâchez la pédale de commande.
7. Mettez l'interrupteur REV/OFF/FOR en position OFF.
8. Relevez l'alésoir et basculez-le en arrière.

Filetage des tuyaux

En raison des caractéristiques variables des tuyaux, il convient d'effectuer un filetage témoin en début de journée et lors des changements de section, de type ou de composition de tuyau.

1. Rabaissez la tête de filière pour la mettre en position. Assurez-vous que les filières utilisées sont bien installées et compatibles avec le type de tuyau à fileter. Reportez-vous au chapitre « Préparation et utilisation des têtes de filière » pour les consignes de remplacement et réglage des filières.
2. Fermez la tête de filière.
3. Sélectionné le régime de rotation approprié selon l'application envisagée.
4. Mettez l'interrupteur REV/OFF/FOR en position FOR.
5. Prenez le volant du chariot des deux mains.
6. Appuyez sur la pédale de commande.
7. Assurez-vous que l'huile de coupe s'écoule à travers la tête de filière.
8. Tournez le volant du chariot pour faire avancer la tête de filière jusqu'à l'extrémité du tuyau. Appuyez légère-

ment sur le volant pour que la tête de filière puisse entamer le filetage du tuyau. Une fois le filetage entamé, il n'y aura plus besoin d'appuyer sur le volant du chariot.

Lors de l'utilisation d'une tête de filière n°714 ou n° 914 pour l'obtention d'un filetage conique, si la tête de filière est retirée du tuyau après que le talon d'ouverture ait actionné le mécanisme de retrait, vous obtiendrez un filetage surdimensionné.

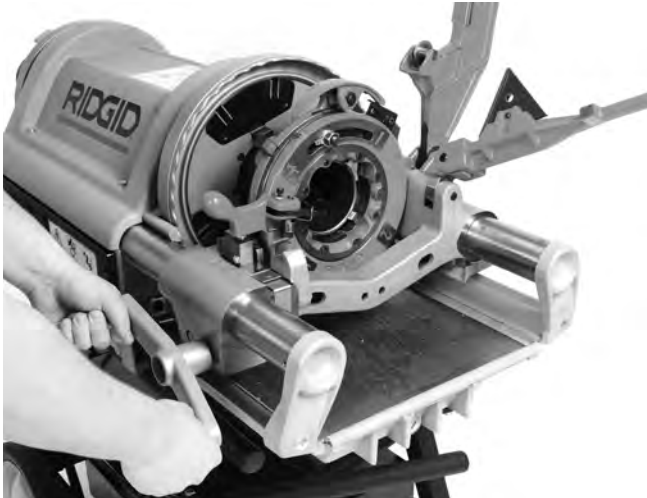


Figure 23 – Filetage des tuyaux (ici, à l'aide d'une tête de filière n° 714)

9. Eloignez vos mains du tuyau en rotation. Faites attention de ne pas laisser le chariot heurter la machine. En fin de filetage, ouvrez la tête de filière (si elle ne s'ouvre pas automatiquement). Ne jamais faire tourner la machine en marche arrière (REV) tant que les filières sont engagées.
10. Lâchez la pédale de commande.
11. Mettez l'interrupteur REV/OFF/FOR en position OFF.
12. Tournez le volant du chariot jusqu'à ce que la tête de filière se dégage de l'extrémité du tuyau. Relevez la tête de filière et basculez-la en arrière.
13. Retirez le tuyau de la machine et examinez le filetage. Ne jamais utiliser cette machine pour le vissage ou dévissage des raccords.

Filetage des ronds et boulons

Le processus de filetage des boulons est semblable à celui utilisé pour le filetage des tuyaux. Le diamètre du rond ne doit jamais dépasser le diamètre extérieur du filetage.

Lors du filetage des boulons, il est impératif d'utiliser les filières et têtes de filières appropriées. Les filetages de boulon peuvent être aussi longs que voulu, tant que le

charriot ne heurte pas la machine. Pour effectuer un filetage de grande longueur :

1. En fin de course du chariot, laissez la tête de filière fermée, lâchez la pédale de commande, puis mettez l'interrupteur REV/OFF/FOR en position OFF.
2. Ouvrez le mandrin et amenez le chariot et l'ouvrage jusqu'à l'extrémité de la machine.
3. Refermez le mandrin sur le rond, puis reprenez son filetage.

Filetages à gauche

Le filetage des pas à gauche est semblable à celui utilisé pour les pas à droite. Le filetage des pas à gauche nécessite l'utilisation de filières et de têtes de filière pour pas à gauche. Engagez la tête de filière dans le loquet (Figure 24), puis faites tourner la machine en marche arrière (REV) lors du filetage.

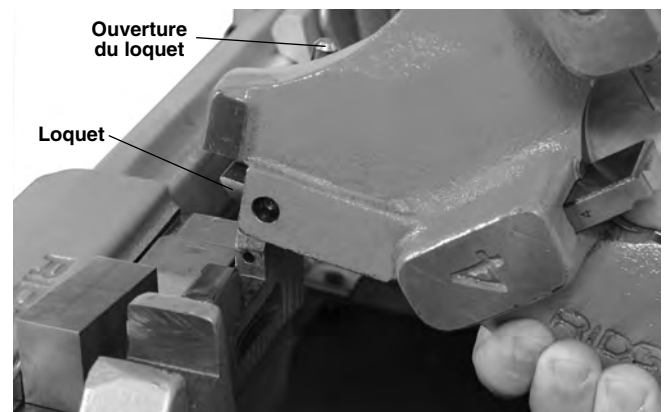


Figure 24 – Loquet de tête de filière pour pas à gauche

Chanfreinage des tuyaux

1. Installez les filières de chanfreinage selon la procédure décrite au chapitre « Insertion et remplacement des filières ».

La filière de coupe de chanfrein (filière n° 2) doit impérativement occuper le logement n° 2 de la tête de filière, tandis que les filières de guidage (non marquées) s'installent dans les logements 1, 3 et 4 de la tête. Reportez-vous aux instructions d'insertion des filières de la tête de filière utilisée.

2. Les têtes de filière n° 714 et n° 914 doivent être réglées pour filetages droits NPSM et BSPP.
3. Suivez les consignes visant le filetage des tuyaux de la fileteuse utilisée.

Rabattez la tête de filière en position de filetage, puis verrouillez-la. Utilisez le chariot pour amener les filières à fleur du tuyau, puis faites-le avancer un peu plus pour obtenir le chanfrein voulu. Dans certains cas, il sera nécessaire de légèrement augmenter ou diminuer l'angle de coupe afin d'assurer que les filières de guidage restent sur le périmètre du tuyau.

Retrait du tuyau

1. Avec l'interrupteur REV/OFF/FOR en position OFF et le tuyau stationnaire, appliquez plusieurs coups secs (en sens horaire) sur le volant pour libérer le tuyau du mandrin. Ouvrez le mandrin avant et le dispositif de centrage arrière. Ne jamais introduire ses mains dans le mandrin ou le dispositif de centrage.
2. Prenez le tuyau des deux mains et retirez-la de la machine. Manipulez le tuyau avec soin, car son filetage risque d'être encore brûlant et couvert de bavures tranchantes.

Inspection des filetages

1. Retirez le tuyau de la machine, puis nettoyez son filetage.
2. Examinez le filetage visuellement. Les filets devraient être lisses, intègres et bien formés. Des anomalies telles que déchirure, ondulation, finesse excessive ou ovalisation des filets pourrait nuire à l'étanchéité du raccord. Reportez-vous au chapitre *Dépannage* pour mieux évaluer de tels problèmes.
3. Contrôlez le pas de filetage.
 - La méthode préférée consiste en l'utilisation d'une jauge annulaire. Il existe plusieurs types de jauges annulaires, et leur utilisation peut varier de celle dans l'image suivante.
 - Vissez manuellement la jauge annulaire sur le filetage
 - Notez le débordement du tuyau fileté en amont de la jauge. L'extrémité du tuyau devrait arriver à fleur de la jauge à plus ou moins un tour près. Si le filetage du tuyau s'avère hors norme, sectionnez ce filetage et filetez-en un nouveau. Tout filetage non conforme est susceptible de provoquer des fuites.

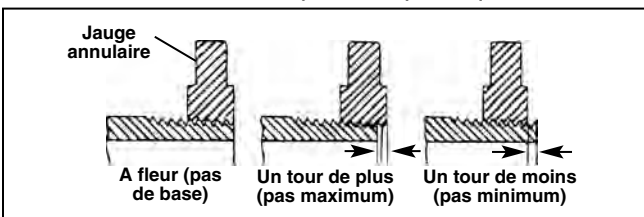


Figure 25 – Contrôle du pas de filetage

- En l'absence d'une jauge annulaire pour contrôler le pas de filetage, servez-vous éventuellement d'un raccord neuf, propre et représentatif des ceux qui seront utilisés sur chantier pour vérifier le pas. Pour les filetages NPT de 2 pouces ou moins, le filetage obtenu devrait permettre entre 4 et 5 tours de serrage à la main du raccord, et de 3 tours pour les raccords BSPT. Pour les filetages NPT de 2½ à 4 pouces, l'engagement manuel du raccord devrait être de 5,5 à 7 tours, et de 4 tours pour les raccords BSPT.
4. Réglez le pas de filetage selon les indications du paragraphe « *Réglage du pas de filetage* » du chapitre « *Préparation et utilisation des têtes de filière* ».
 5. Effectuez les épreuves d'usage du réseau selon les normes en vigueur et les règles de l'art.

Transport de la machine : préparatifs

1. Assurez-vous que l'interrupteur REV/OFF/FOR est en position OFF et que la machine est débranchée.
2. Videz le tiroir à copeaux des copeaux et autres débris éventuels. Retirez ou arrimez l'ensemble du matériel et des matériaux se trouvant sur la machine ou son support afin d'éviter les risques de chute ou renversement en cours de transport. Éliminez toutes traces d'huile et de débris du chantier.
3. Rabattez le coupe-tubes, l'alésoir et la tête de filière en position opérationnelle.
4. Rembobinez le cordon d'alimentation et celui de la pédale de commande.
5. Soyez prudent lors du soulèvement et transport de la machine et respectez les consignes visant son support. Ne sous-estimez pas le poids de la machine.



Figure 26 – Machine prête au transport

Consignes d'entretien

⚠ AVERTISSEMENT

Vérifier que l'interrupteur REV/OFF/FOR est en position OFF et que la machine est débranchée avant toute intervention ou réglage.

Suivre les consignes d'entretien ci-après afin de limiter les risques de choc électrique, enchevêtrement ou autre blessure grave.

Nettoyage

En fin d'utilisation, videz et nettoyez soigneusement le tiroir à copeaux. Éliminez toutes traces d'huile des surfaces exposées, notamment au niveau des points de frottement tels que les rails du chariot.

Si les mors ne tiennent pas et ont besoin de nettoyage, servez-vous d'une brosse métallique pour éliminer les dépôts métalliques éventuels.

Retrait et réinstallation du capot

Le capot de la machine est retenu par quatre vis captives. Lors du retrait ou de la réinstallation du capot, desserrez ou serrez les vis en trois étapes afin de permettre l'ajustement progressif du capot. Se reporter à la Figure 27 pour la séquence de serrage et retrait des vis. Ne jamais utiliser la machine à fileter en l'absence de son capot.

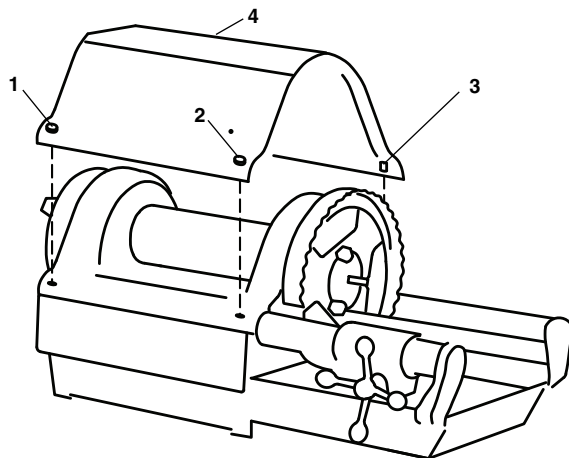


Figure 27 – Séquence de serrage et retrait des vis de fixation du capot

Lubrification

Lubrifiez l'ensemble des mécanismes (rails de chariot, galets de coupe, vis d'avancement du coupe-tubes, mors et axes) au moins une fois par mois (plus souvent si nécessaire) à l'aide d'une huile légère. Essayez toute huile résiduelle des surfaces exposées.

A intervalles de 2 à 6 mois selon utilisation, retirez le capot, puis injectez de la graisse EP (extrême pression) au Lithium via les graisseurs des paliers de l'arbre (Figure 28).

Ne jamais utiliser la machine sans son capot. Réinstallez le capot dès la fin du graissage de la machine.



Figure 28 - Graisseurs

Entretien du système de lubrification

Pour retirer le tiroir à copeaux, (1) poussez-le vers le mandrin avant, puis (2) soulevez-le (Figure 29).

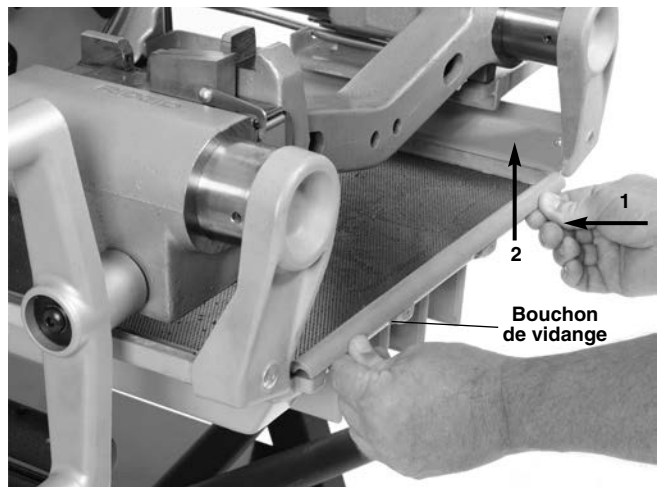


Figure 29 – Retrait du tiroir à copeaux

Nettoyez le tamis d'huile régulièrement afin d'assurer un débit d'huile suffisant. Le tamis d'huile se trouve au fond du réservoir d'huile. Desserrez la vis de fixation du tamis, puis retirez le tamis de la conduite d'huile pour le nettoyer. Ne jamais utiliser la machine sans son tamis d'huile.

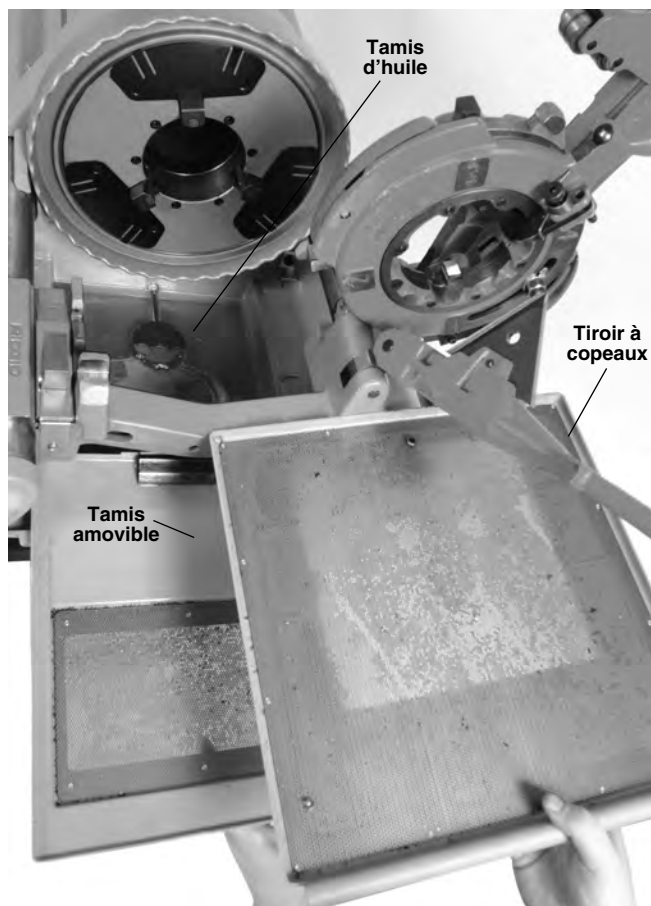


Figure 30 – Tamis d'huile

Remplacez l'huile de coupe dès qu'elle devient sale ou contaminée. Vidangez l'huile en mettant un conteneur sous de bouchon de vidange en bout du carter d'huile, puis retirez le bouchon. Nettoyez l'intérieur du carter d'huile. Utilisez l'huile de coupe RIDGID Thread Cutting Oil pour des filetages de haute qualité et une longévité optimale des filières. Le carter d'huile contient approximativement 5 qt (4,7 l) d'huile de coupe.

Lorsque le système de lubrification est propre, la pompe à huile devrait s'amorcer automatiquement. Sinon, c'est signe que la pompe est usée et doit être révisée. Ne jamais tenter d'amorcer la pompe vous-même.

Remplacement du galet de coupe n° 764

Lorsque le galet de coupe est émoussé ou endommagé, enfoncez son axe pour l'extraire du bâti et le vérifier. Au besoin, remplacez l'axe et le galet de coupe par de nouveaux éléments (*consultez le catalogue*), puis lubrifiez l'axe avec une huile minérale légère.

Remplacement des mâchoires

Lorsque les mâchoires deviennent usées au point de ne plus pouvoir retenir les tuyaux, elles devront être remplacées.

1. Engagez un tournevis dans l'encoche de la mâchoire et tournez-le d'un quart de tour à droite ou à gauche pour la déverrouiller et la retirer (*Figure 31*).

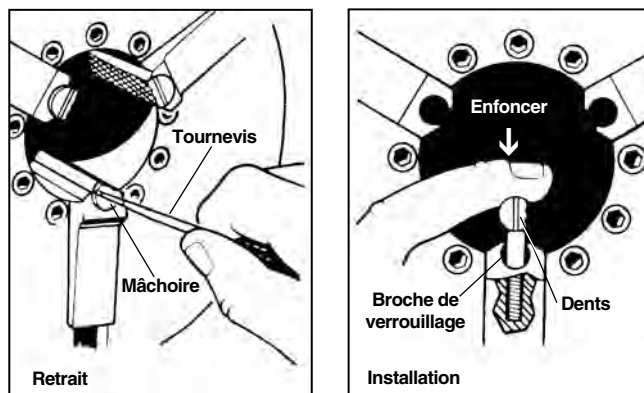


Figure 31 – Remplacement des mâchoires

2. Présentez la mâchoire latéralement contre la broche de verrouillage, puis enfoncez-la à fond (*Figure 31*).
3. Tenez la mâchoire en position, puis à l'aide du tournevis, tournez-la pour orienter ses dents vers le haut.

Réglage et remplacement de la courroie d'entraînement

Lors du graissage des graisseurs, vérifiez la tension de la courroie d'entraînement. Appuyez votre doigt au centre de la courroie avec une force modérée d'environ 4 livres (2 kg). La courroie devrait fléchir d'environ 1/8" (3 mm) (*Figure 32*).

1. Au niveau du rail, desserrez l'écrou de blocage (5/16"), puis la vis de retenue du support moteur.
2. Desserrez la vis de retenue (1/4") du tendeur de courroie, puis ramenez le tendeur en arrière.
3. Pour remplacer la courroie, desserrez les quatre boulons de fixation du moteur, puis glissez le moteur vers la poulie. Remplacez la courroie. Ramenez le moteur en arrière, puis resserrez ses boulons de fixation.
4. Poussez sur le tendeur de courroie jusqu'à ce que la courroie soit correctement tendue. Serrez la vis (1/4") du tendeur.
5. Serrez la vis de retenue et son écrou de blocage (5/16") pour arrimer le support moteur au rail.

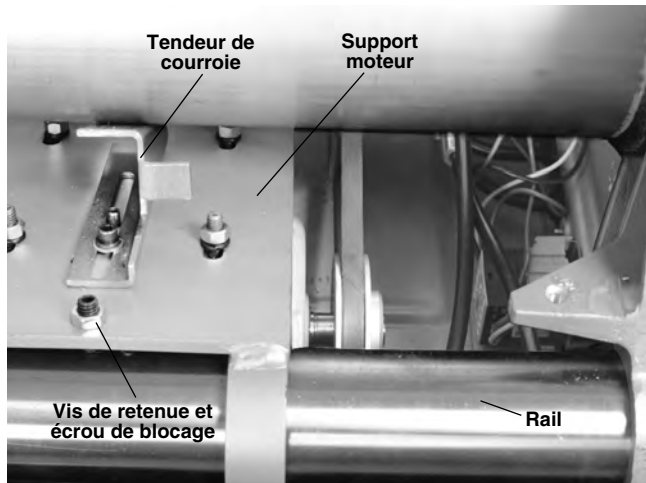


Figure 32 – Support moteur et tendeur de courroie

Accessoires

⚠ AVERTISSEMENT

Afin de limiter les risques d'accident grave, n'utilisez que les accessoires spécifiquement prévus pour les fileteuses RIDGID 1224.

Réf. catalogue	Désignation	Description
26212	764	Galet de coupe pour Ø ¼" à 4"
26217	744	Alésoir à lame pour Ø ¼" à 4"
34577	–	Lame d'alésoir pour Ø ¼" à 4"
26187	–	Ens. mâchoire et rouleaux pour tuyaux polyéthylène (PE)
Têtes de filière		
26132	711	Universelle, ouverture automatique, pas à droite, NPT
26142	713	Universelle, ouverture rapide, pas à gauche, NPT
26152	714	Rétractable, ouverture automatique, pas à droite, NPT
26137	911	Universelle, ouverture automatique, pas à droite, BSPT
26147	913	Universelle, ouverture rapide, pas à gauche, BSPT
26157	914	Rétractable, ouverture automatique, pas à droite, BSPT
26162	541	Ouverture rapide, boulonnerie, pas à gauche/pas à droite
26167	542	Ouverture rapide, boulonnerie, pas à gauche/pas à droite
55447	725	Coupe et rainurage
57497	–	Jeu de filières de rainurage Ø 2½" à 3½"
57507	–	Mèche de rainurage Ø 2½" à 3½" seule
57492	–	Jeu de filières de rainurage Ø 4"
57502	–	Mèche de rainurage Ø 4" seule
55452	766	Coupe-tubes à lame
58712	–	Mèche de tronçonnage (766)
Supports		
92457	100A	Support sur pieds universel à tiroir
92462	150A	Support roulant universel à tiroir
92467	200A	Support roulant universel à armoire
22563	–	Armoire métallique
Mandrins à raccords		
51005	819	Ø ½" à 2" NPT
68160	819	Ø ½" à 2" BSPT
34157	419	Ø 2½" NPT
34162	419	Ø 3" NPT
34167	419	Ø 4" NPT
34172	419	Ø 2½" BSPT
34177	419	Ø 3" BSPT
34182	419	Ø 4" BSPT

Pour la liste complète des accessoires RIDGID prévus pour la fileteuse 1224, consultez le catalogue RIDGID en ligne à RIDGID.com ou les services techniques de Ridge Tool en composant le (800) 519-3456 à partir des Etats-Unis ou du Canada.

Huile de coupe

Respectez l'ensemble des consignes du conteneur de l'huile de coupe et de la Fiche Signalétique (SDS) du produit. Des précisions visant les huiles de coupe RIDGID, comprenant leur niveau de toxicité, les mesures de premiers soins, les mesures anti-incendie, les mesures en cas de déversement accidentel, les précautions de manipulation et de stockage, les protections individuelles nécessaires, et les mesures de recyclage et de transport sont indiquées sur le conteneur et la Fiche Signalétique (SDS) du produit. La Fiche Signalétique du produit peut être obtenue sur le site RIDGID.com, auprès des services techniques de Ridge Tool en composant le (800) 519-3456 à partir des Etats-Unis et du Canada, et enfin par courriel adressé à rttechservices@emerson.com.

Remisage de la machine

⚠ AVERTISSEMENT Cette fileteuse doit être rangée à l'intérieur ou à l'abri des intempéries. Rangez la machine dans un local sous clé et hors de la portée des enfants et des curieux. Ce type de machine peut provoquer de graves lésions corporelles si elle tombe entre des mains inexpérimentées.

Révisions et réparations

⚠ AVERTISSEMENT

Toute intervention mal exécutée peut rendre cette machine dangereuse.

Le chapitre « *Entretien* » ci-devant devrait couvrir la majorité des besoins d'entretien de cette machine. La réparation de toute anomalie éventuelle qui n'est pas couverte dans ce chapitre devra être confiée à un réparateur RIDGID agréé.

L'appareil devra être remis à un réparateur RIDGID indépendant ou renvoyé à l'usine. N'utilisez que des pièces de rechange d'origine RIDGID.

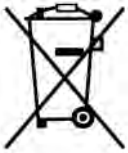
Pour localiser le réparateur RIDGID indépendant le plus proche ou adresser vos questions visant la révision ou réparation de votre appareil :

- Consultez le distributeur RIDGID le plus proche.

- Rendez-vous sur les sites RIDGID.com ou RIDGID.eu pour localiser le représentant RIDGID le plus proche.
- Consultez les services techniques de Ridge Tool par courriel adressé à rttechservices@emeron.com ou bien, à partir des Etats-Unis ou du Canada, en composant le (800) 519-3456.

Recyclage

Certains éléments de cette fileteuse contiennent des matières précieuses recyclables, et certaines entreprises locales peuvent être à même de les recycler. Disposez de ces éléments et des huiles de rechange selon la réglementation en vigueur. Consultez votre centre de recyclage local pour de plus amples détails.



Pays de la CE : Ne pas disposer du matériel électrique dans les ordures ménagères !

Selon le décret 2012/-19/EU visant le recyclage du matériel électrique et électronique et son application au niveau national, tout matériel électrique non utilisable doit être récupéré et recyclé séparément et de manière écologiquement responsable.

Dépannage

Problème	Causes possibles	Solution
Filets déchirés.	<p>Filières endommagées, ébréchées ou émoussées.</p> <p>Huile de coupe inadaptée.</p> <p>Manque d'huile de coupe.</p> <p>Huile sale ou contaminée.</p> <p>Tête de filière non alignée avec le tuyau.</p> <p>Tuyau inadapté.</p> <p>Tête de filière mal réglée.</p> <p>Chariot partiellement grippé.</p>	<p>Remplacer les filières.</p> <p>Utiliser exclusivement de l'huile de coupe RIDGID.</p> <p>Remplir le carter d'huile.</p> <p>Remplacer l'huile de coupe RIDGID®.</p> <p>Enlever les copeaux et autres contaminants d'entre la tête de filière et le chariot.</p> <p>Utiliser des tuyaux d'acier noir ou galvanisés.</p> <p>Paroi de tuyau trop mince. Utiliser des tuyaux série 40 ou plus lourds.</p> <p>Régler la tête de filière pour obtenir le filetage voulu.</p> <p>Nettoyer et lubrifier les rails du chariot.</p>
Filetages ovalisés ou écrasés.	<p>Tête de filière en sous-dimension.</p> <p>Parois de tuyau trop minces.</p>	<p>Régler la tête de filière en conséquence.</p> <p>Utiliser du tuyau série 40 ou plus lourd.</p>
Filetages minces.	<p>Filières positionnées dans le mauvais ordre.</p> <p>Avancement trop rapide du chariot durant le filetage.</p> <p>Vis du carter de tête de filière dévissées.</p>	<p>Installer les filières dans le bon ordre.</p> <p>Une fois le filetage entamé, ne pas forcer le volant d'avancement du chariot. Laisser le chariot avancer tout seul.</p> <p>Serrer les vis.</p>
Pas de débit d'huile de coupe.	<p>Niveau d'huile insuffisant.</p> <p>Tamis d'huile bouché.</p> <p>Tête de filière mal assise.</p>	<p>Remplir le réservoir d'huile.</p> <p>Nettoyer le tamis d'huile.</p> <p>Mettre la tête de filière en position de filetage.</p>
Le moteur tourne, mais pas la machine.	<p>Courroie d'entraînement desserrée.</p> <p>Courroie d'entraînement usée.</p>	<p>Serrer la courroie d'entraînement.</p> <p>Remplacer la courroie.</p>
Le tuyau dérape entre les mâchoires.	<p>Mâchoire chargées de débris.</p> <p>Mâchoires usées.</p> <p>Tuyau mal centré.</p> <p>Mandrin desserré.</p>	<p>Nettoyer les mâchoires à la brosse métallique.</p> <p>Remplacer les inserts.</p> <p>Vérifier le centrage du tuyau entre les inserts de mâchoire, utiliser le dispositif de centrage arrière.</p> <p>Serrer le mandrin rapide par de multiples coups secs du volant.</p>

Roscadora

1224



ADVERTENCIA

Antes de utilizar este aparato, lea detenidamente su Manual del Operario. Pueden ocurrir descargas eléctricas, incendios y/o graves lesiones si no se entienden y siguen las instrucciones de este manual.

Roscadora 1224

Apunte aquí el número de serie de la máquina. Se ubica en su placa de características.

No. de
serie

--	--

Índice de materias

Formulario de registro para el número de serie de la máquina	45
Simbología de seguridad	47
Información de seguridad general para máquinas eléctricas	
Seguridad en la zona de trabajo	47
Seguridad eléctrica	48
Seguridad personal	48
Uso y cuidado de los equipos	48
Servicio	49
Información de seguridad específica	
Información de seguridad para la máquina roscadora	49
Descripción, especificaciones y equipo estándar	
Descripción	50
Especificaciones	50
Equipo estándar	51
Montaje de la máquina	
Montaje sobre un soporte	51
Montaje sobre una mesada	51
Inspección previa al funcionamiento	51
Instalación de la máquina y la zona de trabajo	52
Instalación y uso del cabezal de terrajas	
Colocación y extracción del cabezal de terrajas	53
Cabezales de terrajas de apertura rápida	54
Introducción y cambio de terrajas	54
Ajuste del tamaño de la rosca	54
Apertura del cabezal de terrajas al completar la rosca	54
Cabezales de terrajas de autoapertura	55
Introducción y cambio del cabezal de terrajas	55
Ajuste del tamaño de la rosca	55
Ajuste de la corredera del gatillo	56
Apertura del cabezal de terrajas al completar la rosca	56
Cabezales de terrajas de autoapertura con retroceso, Modelo 714 y Modelo 914	56
Introducción y cambio del cabezal de terrajas	56
Ajuste del tamaño de la rosca	57
Ajuste para tubos con roscas cónicas o roscas rectas	57
Preparación del cabezal de terrajas para hacer el roscado	58
Apertura del cabezal de terrajas al completar la rosca	58
Instrucciones de operación	
Cambio de la velocidad de operación	59
Ajuste del volante del carro	60
Corte con el cortador No. 764	60
Escariado con el escariador No. 744	60
Roscado de tubos	61
Roscado de barras y pernos	61
Roscado a la izquierda	62
Biselado de tubos	62
Extracción del tubo de la máquina	62
Inspección de las roscas	62
Preparación de la máquina para su transporte	63
Instrucciones de mantenimiento	
Limpieza	63
Extracción y colocación de la tapa superior	63
Lubricación	64
Mantenimiento del sistema de aceite	64
Cambio de la rueda de corte No. 764	65
Cambio de las piezas de inserción de la mordaza	65
Cambio y ajuste de la correa trapezoidal	65
Equipos opcionales	66
Información sobre el aceite de corte	66
Almacenamiento de la máquina	66
Servicio y reparaciones	66
Eliminación de la máquina	67
Resolución de problemas	68
Garantía de por vida	Carátula posterior

*Traducción del manual original

Simbología de seguridad

En este manual del operario y en el producto mismo encontrará símbolos y palabras de advertencia que comunican importante información de seguridad. Para su mejor comprensión, en esta sección se describe el significado de estas palabras y símbolos de advertencia.



Este es el símbolo de una alerta de seguridad. Sirve para prevenir al operario de las lesiones corporales que podría sufrir. Obedezca todas las instrucciones de seguridad que acompañan a este símbolo para evitar posibles lesiones o muerte.

PELIGRO

Este símbolo de PELIGRO advierte de una situación de riesgo o peligro que, si no se evita, podría producir la muerte o lesiones graves.

ADVERTENCIA

Este símbolo de ADVERTENCIA avisa de una situación de riesgo o peligro que, si no se evita, podría producir la muerte o lesiones graves.

CUIDADO

Este símbolo de CUIDADO advierte de una situación de riesgo o peligro que, si no se evita, podría producir lesiones leves o moderadas.

AVISO

Un AVISO advierte de la existencia de información relacionada con la protección de un bien o propiedad.



Este símbolo significa que es necesario leer detenidamente su manual del operario antes de usar el equipo. El manual del operario contiene información importante acerca del funcionamiento apropiado y seguro del equipo.



Este símbolo significa que siempre debe usar anteojos con viseras laterales o gafas de seguridad cuando maneje o use este equipo, para reducir el riesgo de lesiones a los ojos.



Este símbolo indica que existe el riesgo de que los dedos, manos, ropa y otros objetos se enganchen o se enreden entre los engranajes u otras partes giratorias y se produzcan lesiones por aplastamiento.



Este símbolo indica que existe el riesgo de que los dedos, piernas, ropa y otros objetos se enganchen o se enrollen en los ejes giratorios, causando lesiones por aplastamiento o golpes.



Este símbolo advierte del riesgo de golpes eléctricos.



Este símbolo indica que la máquina puede volcarse y causar lesiones por aplastamiento o golpes.



Este símbolo indica que el operario no debe usar guantes mientras hace funcionar esta máquina, puesto que podrían engancharse.



Este símbolo indica que siempre debe usar un interruptor de pie cuando use una máquina roscadora o un accionamiento motorizado, para reducir el riesgo de lesiones.



Este símbolo indica que no debe desconectar el interruptor de pie, para reducir el riesgo de lesiones.



Este símbolo indica que no debe bloquear el interruptor de pie (trabarlo en posición de ENCENDIDO), para reducir el riesgo de lesiones.

Información de seguridad general para máquinas eléctricas*

ADVERTENCIA

Lea todas las instrucciones, advertencias de seguridad, ilustraciones y especificaciones que se suministran con esta herramienta eléctrica. Si no se siguen y respetan todas las siguientes instrucciones, podrían producirse descargas eléctricas, incendios y/o lesiones graves.

¡GUARDE TODAS LAS ADVERTENCIAS E INSTRUCCIONES PARA POSTERIOR CONSULTA!

El término “máquina eléctrica” en las advertencias se refiere a una herramienta que se alimenta mediante un tomacorriente (máquina con cordón) o a una herramienta a batería (máquina sin cordón).

Seguridad en la zona de trabajo

- **Mantenga su zona de trabajo limpia y bien iluminada.** Los lugares desordenados u oscuros pueden provocar accidentes.
- **No haga funcionar máquinas eléctricas en ambientes explosivos, es decir, en presencia de líquidos, gases o polvo inflamables.** Las máquinas eléc-

* Como es obligatorio, el texto usado en la sección sobre Reglas de seguridad general para máquinas eléctricas de este manual es transcripción literal de la correspondiente norma UL/CSA 62841-1. Esta sección contiene prácticas de seguridad general para muchas herramientas eléctricas diferentes. No todas las precauciones corresponden a cada herramienta; hay algunas que no corresponden a esta máquina.

tricas pueden generar chispas que podrían encender los gases o el polvo.

- **Mientras haga funcionar una máquina eléctrica, mantenga alejados a los niños y observadores.** Cualquier distracción podría hacerle perder el control del aparato.

Seguridad eléctrica

- **El enchufe del aparato eléctrico debe corresponder al tomacorriente. Jamás modifique el enchufe del aparato. No utilice un enchufe adaptador cuando haga funcionar un aparato eléctrico provisto de conexión a tierra.** Los enchufes intactos y tomacorrientes que les corresponden reducen el riesgo de choques de electricidad.
- **Evite el contacto de su cuerpo con artefactos o superficies conectados a tierra tales como cañerías, radiadores, estufas o cocinas, y refrigeradores.** Aumenta el riesgo de choques de electricidad si su cuerpo ofrece conducción a tierra.
- **No exponga las máquinas eléctricas a la lluvia ni permita que se mojen.** Si le entra agua a una máquina eléctrica, aumenta el riesgo de choques de electricidad.
- **No maltrate el cordón eléctrico. Nunca transporte el aparato tomándolo de su cordón eléctrico ni jale del cordón para desenchufarlo del tomacorriente. Mantenga el cordón alejado del calor, aceite, bordes cortantes o piezas móviles.** Un cordón enredado o en mal estado aumenta el riesgo de choques de electricidad.
- **Al hacer funcionar una máquina eléctrica a la intemperie, emplee un cordón de extensión fabricado para uso al aire libre.** Los alargadores diseñados para su empleo al aire libre reducen el riesgo de choques de electricidad.
- **Si resulta inevitable el empleo de una máquina eléctrica en un sitio húmedo, enchúfela en un tomacorriente GFCI (dotado de un Interruptor del Circuito de Pérdida a Tierra).** El interruptor GFCI reduce el riesgo de choques de electricidad.

Seguridad personal

- **Manténgase alerta, preste atención a lo que está haciendo y use el sentido común cuando haga funcionar una máquina eléctrica. No use una máquina eléctrica si usted está cansado o se encuentra bajo la influencia de drogas, alcohol o medicamentos.** Tan solo un breve descuido durante el funcionamiento de una máquina eléctrica puede resultar en lesiones graves.

- **Use equipo de protección personal. Siempre use protección para los ojos.** Según corresponda para cada situación, colóquese equipo de protección como mascarilla para el polvo, calzado de seguridad antideslizante, casco o protección para los oídos, con el fin de reducir las lesiones personales.
- **Evite hacer partir la máquina por error. Asegure que el conmutador esté en la posición APAGADO antes conectar la máquina a un tomacorriente y/o a un bloque de baterías, antes de agarrarla o acarrearla.** Acarrear una máquina eléctrica con el dedo en el interruptor o conectar una máquina eléctrica estando el interruptor ENCENDIDO arriesga un accidente.
- **Extraiga cualquier llave que esté acoplada a la máquina eléctrica antes de encenderla.** Una llave acoplada a una pieza o parte giratoria del aparato puede producir lesiones personales.
- **No trate de extender el cuerpo para alcanzar algo. Tenga los pies bien plantados y mantenga el equilibrio en todo momento.** Esto permite un mejor control del equipo en situaciones inesperadas.
- **Vístase adecuadamente. No lleve ropa suelta ni joyas. Mantenga su cabello y ropa apartados de las piezas en movimiento.** La ropa suelta, las joyas o el pelo largo pueden engancharse en las piezas móviles.
- **Si se proporcionan dispositivos para conectar extractores de polvo, asegure que estén bien conectados y que se usen apropiadamente.** El uso de colectores de polvo puede reducir los peligros asociados al polvo.
- **No permita que su familiaridad con la máquina debida a su uso frecuente lo induzca a ignorar los principios de seguridad de la máquina.** Un descuido puede causar una lesión grave en una fracción de segundo.

Uso y cuidado de las máquinas eléctricas

- **No fuerce los aparatos eléctricos. Use la máquina eléctrica correcta para la aplicación.** Con la máquina correcta se hará mejor el trabajo y en forma más segura en la clasificación nominal para la cual fue diseñada.
- **Si el conmutador del aparato no lo ENCIENDE o no lo APAGA, no utilice el aparato.** Cualquier máquina eléctrica que no se pueda controlar mediante su interruptor es un peligro y debe repararse.
- **Desenchufe el aparato del tomacorriente y/o del bloque de baterías, si es posible, antes de hacer ajustes, cambiar accesorios o almacenarlo.** Estas

medidas de seguridad preventiva reducen el riesgo de poner la máquina eléctrica en marcha involuntariamente.

- **Almacene las máquinas eléctricas que no estén en uso fuera del alcance de los niños y no permita que las hagan funcionar personas que no estén familiarizadas con los aparatos o no hayan leído estas instrucciones de operación.** Las máquinas eléctricas que estén en manos de personas no capacitadas son peligrosas.
- **Haga la mantención necesaria de la máquina eléctrica y sus accesorios. Revise el equipo para verificar que las piezas movibles no estén mal alineadas o agarradas. Verifique que no tenga partes quebradas ni presente alguna otra condición que podría afectar su funcionamiento. Si un aparato está dañado, hágalo reparar antes de utilizarlo.** Muchos accidentes se deben a máquinas eléctricas que no han recibido un mantenimiento adecuado.
- **Mantenga las herramientas cortantes afiladas y limpias.** Las herramientas para cortar provistas de filos afilados son menos propensas a trabarse y son más fáciles de controlar.
- **Use la máquina eléctrica, sus accesorios, brocas, etc., conforme a estas instrucciones, tomando en cuenta las condiciones de trabajo y la tarea que debe realizar.** El uso de la máquina eléctrica para operaciones que no le corresponden podría producir una situación peligrosa.
- **Mantenga las manijas y agarraderas secas, limpias y exentas de aceite y grasa.** Las manijas y superficies resbalosas no pueden manipularse con seguridad ni permiten controlar el aparato en situaciones inesperadas.

Servicio

- **El servicio de las máquinas eléctricas debe encomendarse a técnicos de reparación calificados que usen solamente repuestos idénticos a las piezas originales.** Esto mantiene la seguridad de la máquina eléctrica.

Información de seguridad específica

⚠ ADVERTENCIA

Esta sección contiene información de seguridad importante que es específica para esta herramienta.

Antes de utilizar la máquina roscadora 1224, lea estas instrucciones detenidamente para reducir el

riesgo de choque de electricidad o de otras lesiones graves.

¡GUARDE TODAS LAS ADVERTENCIAS E INSTRUCCIONES PARA SU FUTURA CONSULTA!

Mantenga este manual junto con la máquina, para que lo use el operario.

Información de seguridad para la máquina roscadora

- **Mantenga el piso seco y exento de materiales resbalosos tales como el aceite.** Los pisos resbaladizos provocan accidentes.
- **Limite el acceso o coloque barricadas alrededor de la zona de trabajo si la pieza trabajada se extiende más allá de la máquina, para dejar un espacio libre de por lo menos un metro alrededor de la pieza trabajada.** La limitación del acceso o las barricadas alrededor de la pieza trabajada reducen los riesgos de enmarañamiento.
- **No use guantes.** Los guantes se podrían enganchar en el tubo en rotación o en piezas giratorias de la máquina y producir lesiones personales.
- **No utilice la máquina para otros fines, como perforar agujeros o girar un malacate.** Si usa esta máquina para otros fines o la modifica para otras tareas, podría aumentar el riesgo de lesiones graves.
- **Asegure la máquina a un banco de trabajo o soporte. Los tubos largos y pesados deben montarse sobre soportatubos.** Así se evita que el equipo se vuelque.
- **Cuando haga funcionar la máquina, debe pararse en el lado donde se ubican los controles de operación.** Al hacer funcionar la máquina desde este lado, no es necesario estirarse por encima de la máquina.
- **Mantenga las manos apartadas de los tubos y acoplamientos mientras giran. Detenga la máquina antes de limpiar las roscas de un tubo o de atornillar un acoplamiento. Permita que la máquina se detenga por completo antes de tocar el tubo.** Estas prácticas evitarán el peligro de enganches en piezas giratorias.
- **No use esta máquina para instalar o quitar acoplamientos. La máquina no está diseñada para estas tareas.** Estas prácticas podrían producir atrapamiento, enmarañamiento y pérdida del control de la máquina.
- **Mantenga las tapas colocadas. No haga funcionar la máquina si no tiene las tapas puestas.** Si las

piezas móviles quedan expuestas, aumenta la probabilidad de enmarañarse.

- **No use esta máquina si le falta el interruptor de pie o está averiado.** El interruptor de pie es un dispositivo de seguridad que le permite un mejor control de la máquina, como por ejemplo, para apagar la máquina en caso de enmarañamiento.
- **Un solo operario debe controlar el proceso de trabajo, el funcionamiento de la roscadora y el interruptor de pie.** Nadie más debe estar en la zona de trabajo cuando la máquina esté en marcha. Esto ayuda a evitar lesiones.
- **Nunca meta la mano en el mandril al frente de la máquina ni en el cabezal de centrado trasero.** Esto reduce el riesgo de enmarañarse.
- **Lea y entienda estas instrucciones, y las instrucciones y advertencias para todos los equipos y materiales usados, antes de hacer funcionar esta máquina, para reducir el riesgo de lesiones graves.**

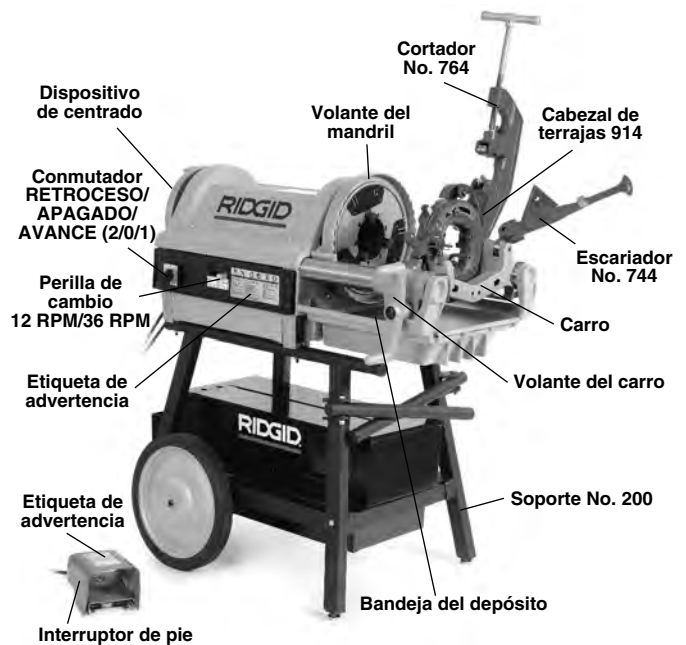


Figura 1 – Roscadora 1224

El folleto de la Declaración de Conformidad de la Comunidad Europea (890-011-320.10) se adjuntará a este manual cuando se requiera.

Si tiene alguna pregunta acerca de este producto RIDGID®:

- Comuníquese con el distribuidor RIDGID® en su localidad.
- Visite RIDGID.com o RIDGID.eu para averiguar dónde se encuentran los centros autorizados de RIDGID más cercanos.
- Comuníquese con el Departamento de Servicio Técnico de Ridge Tool en rttechservices@emerson.com, o llame por teléfono desde EE. UU. o Canadá al (800) 519-3456.

Descripción, especificaciones y equipo estándar

Descripción

La roscadora Modelo 1224 de RIDGID® es una máquina de motor eléctrico que pueden centrar y fijar tubos, conductos y material para pernos. El motor hace girar el material para cortar, escariar y roscar. Las terrajas de roscado se montan en los diversos cabezales disponibles. Se proporciona un sistema de aceitado integrado que baña la pieza trabajada con aceite de corte durante el roscado.

Junto con el equipo opcional apropiado, la roscadora 1224 se puede usar para roscar tubos más grandes, nipples cortos o ajustados o para ranurar a rodillo. La máquina 1224 también sirve para cortar ranuras estándar en tubos o para cortar o pelar tubos revestidos con PVC y plástico.

Especificaciones

Capacidad de roscado	Tubos de ¼" a 4" (6 a 100 mm) Pernos de ¼" a 2" (6 a 50 mm)
Roscas izq.	Con los correspondientes cabezales de roscado.
Motor:	
Tipo	Motor de inducción, monofásico (comuníquese con RIDGID para ver si se dispone de motor trifásico).
Potencia	1½ HP (1,12 kW).
Voltaje	120 V, 60 Hz; 220/240 V, 50 Hz; se dispone de otros voltajes (vea el catálogo RIDGID).
Velocidad de funcionamiento.....	12 RPM/36 RPM
Controles.....	Conmutador tipo rotatorio de RETROCESO/APAGADO/-AVANCE (2/0/1) e interruptor de pie de APAGADO/ENCENDIDO.
Mandril delantero	De tipo martillo con piezas de inserción de quijada oscilante reemplazables.
Dispositivo de centrado trasero.....	De tipo levas.

Cabezales de terrajas	En el catálogo RIDGID se presentan los cabezales disponibles.
Cortador	Cortador modelo 764, de ¼" a 4", completamente flotante, autocentrante.
Escariador	Escariador modelo 744, de ¼" a 4", de tipo cuchilla.
Sistema de aceitado ...	5 cuartos (4,7 L), autocebante, con bomba Gerotor, reversión automática y flujo constante.
Peso	509 libras (231 kg)

Equipo estándar

Consulte el catálogo RIDGID para ver los detalles sobre los equipos suministrados con cada máquina según su número de catálogo.

La placa con el número de serie de la roscadora está ubicada en un extremo de la base. Los últimos cuatro dígitos indican el mes y el año de fabricación (12 = mes, 14 = año).



Figura 2 – Número de serie de la máquina

AVISO La selección de los materiales y de los métodos de montaje, unión o conformado apropiados es responsabilidad del diseñador y/o instalador del sistema. Una mala selección de materiales o métodos podría causar una falla del sistema.

El acero inoxidable y otros materiales resistentes a la corrosión se pueden contaminar durante el montaje, unión o conformado. Esta contaminación podría causar corrosión y fallas prematuras. Antes de comenzar una instalación se requiere efectuar una cuidadosa evaluación de los materiales y métodos para el ambiente de servicio imperante, que incluye las condiciones químicas y las temperaturas de funcionamiento.

Montaje de la máquina

⚠ ADVERTENCIA



Para reducir el riesgo de lesiones graves durante el uso, haga el montaje de la máquina de acuerdo con estos procedimientos.

Si la roscadora no se monta sobre un soporte o mesada estable, podría volcarse y producir lesiones graves.

Antes de montar la máquina, el conmutador RETROCESO/APAGADO/AVANCE debe estar apagado y la máquina debe estar desenchufada.

Levante la máquina usando técnicas apropiadas. La roscadora pesa 509 libras (231 kg).

Montaje sobre un soporte

La roscadora se puede montar en diversos soportes RIDGID. Consulte el catálogo RIDGID para información sobre soportes y las instrucciones en sus respectivas hojas de instrucciones, para determinar cómo montar la máquina.

Montaje sobre una mesada

La roscadora se puede montar en una mesada estable y nivelada. Para hacerlo, use cuatro pernos de ¾" y colóquelos en los agujeros provistos en cada esquina de la base de la roscadora. El espaciado de los agujeros en la base es 19,88" x 15,5" (505 mm x 394 mm). Apriete bien los pernos.

Inspección previa a la operación

⚠ ADVERTENCIA



Antes de cada uso, inspeccione la roscadora y corrija cualquier problema para reducir el riesgo de lesiones graves por choque de electricidad, aplastamiento y otras causas, y para proteger la máquina contra daños.

1. Asegure que la roscadora esté desenchufada y que el conmutador RETROCESO/APAGADO/AVANCE esté colocado en posición APAGADO.

2. Limpie el aceite, grasa y suciedad presentes en la roscadora, incluyendo las manijas y controles. Esto facilita su inspección y ayuda a evitar que la máquina o los controles se resbalen de sus manos. Limpie la máquina y hágale mantenimiento de acuerdo con las instrucciones de mantenimiento.
3. Inspeccione la roscadora para verificar lo siguiente:
 - Los cordones y enchufe no están dañados ni modificados.
 - Está bien ensamblada y completa, y se le ha hecho la mantenimiento.
 - No hay piezas rotas, desgastadas, faltantes, mal alineadas o enredadas, ni ningún otro daño.
 - El interruptor de pie está presente y funciona. Confirme que el interruptor de pie esté conectado, en buenas condiciones, que funciona suavemente y sin trabarse.
 - Las etiquetas de advertencia están adheridas y legibles (*Figura 1*).
 - Los filos de las terrajas, rueda de corte y escariador están en buenas condiciones. Las herramientas de corte embotadas o dañadas exigen mayor fuerza, producen malos resultados y aumentan el riesgo de lesiones.
 - No existe ninguna condición que impida el funcionamiento seguro y normal.

Si se encuentra algún problema, no utilice la roscadora hasta que se haya reparado la falla.

4. Revise cualquier otro equipo que se use y hágale mantenimiento conforme a sus instrucciones para asegurar su buen funcionamiento.

Instalación de la máquina y la zona de trabajo

⚠ ADVERTENCIA



Haga la instalación de la roscadora y de la zona de trabajo según estos procedimientos, para reducir el riesgo de lesiones por choque de electricidad, volcamiento de la máquina, enmarañamiento, aplastamiento y otras causas, y para prevenir que la roscadora se dañe.

Fije la roscadora a un soporte o mesada estables. Apoye el tubo en forma apropiada. Esto reduce el riesgo de que el tubo se caiga, que la roscadora que vuelque y se produzcan lesiones graves.

No use la roscadora si no tiene un interruptor de pie en buenas condiciones. Un interruptor de pie permite un mejor control ya que el operario puede apagar la máquina con tan solo retirar el pie.

1. Revise la zona de trabajo para verificar lo siguiente:
 - Hay suficiente luz.
 - No hay líquidos, gases ni polvo que puedan incendiarse. Si éstos están presentes, no trabaje en ese lugar hasta que identifique y corrija estos problemas. La roscadora no es a prueba de explosiones y puede generar chispas.
 - El lugar para el operario y todos los equipos está despejado, nivelado y seco, y es estable.
 - Hay buena ventilación. No use el aparato durante períodos prolongados en lugares encerrados pequeños.
 - Hay un tomacorriente del voltaje apropiado y con buena conexión a tierra. Revise la placa de características para determinar el voltaje apropiado. Un tomacorriente para tres patas o GFCI podría no tener buena conexión a tierra. Si tiene alguna duda, pida a un electricista acreditado que inspeccione el tomacorriente.
2. Inspeccione el tubo que va a roscar y los acoplamientos correspondientes, para confirmar que ha seleccionado la máquina apropiada para la tarea. Vea las *Especificaciones*. No use la máquina para roscar material que no sea lineal y recto. No rosque tubos que tengan acoplamientos u otras conexiones, ya que esto aumenta el riesgo de enmarañamientos.
3. Transporte la máquina al lugar de trabajo. Consulte *Preparación de la máquina para su transporte* para obtener información.
4. Asegure que se hayan inspeccionado y montado correctamente los aparatos que usará.
5. Confirme que el conmutador RETROCESO/APAGADO/AVANCE esté en la posición APAGADO.
6. Verifique que el cabezal tenga las terrajas correctas y que estén bien colocadas. Si fuera necesario, instale o ajuste las terrajas en el cabezal de terrajas. Vea la sección *Instalación y uso del cabezal de terrajas* para más detalles.
7. Haga girar hacia arriba el cortador, escariador y cabezal de terrajas, para alejarlos del operario. Asegure que estén estables y que no puedan caerse sobre la zona de trabajo.
- 8 Si el tubo se extiende más allá de la bandeja de virutas al frente de la máquina, o se extiende en más de 2 pies (60 cm) detrás de la máquina, use

soportatubos para apoyar el tubo y para evitar que el tubo y la roscadora se vuelquen o se caigan. Coloque los suportatubos en línea con los mandriles de la roscadora, a aproximadamente un tercio de la distancia desde el extremo del tubo y la máquina. Los tubos más largos podrían exigir más de un suportatubos. Use solamente suportatubos diseñados para este fin. Si usa suportatubos inapropiados o trata de apoyar el tubo a mano, podría volcarse la máquina o causar lesiones por enmarañamiento.

9. Limite el acceso o coloque barandas o barricadas para crear un espacio libre alrededor de la roscadora y el tubo que tenga un radio de por lo menos 3 pies (1 m). Esto ayuda a evitar que las personas ajenas a la tarea se topen con la máquina o el tubo y reduce el riesgo de volcamiento o enmarañamiento.
10. Coloque el interruptor de pie en la posición que se muestra en la *Figura 18* para permitir una correcta posición de operación.
11. Revise el nivel de aceite de corte RIDGID. Extraiga el conjunto de bandeja y el conjunto de inserción. Verifique que el conjunto de filtro de malla esté completamente sumergido en aceite. *Vea Mantenición del sistema de aceite.*
12. Estando el conmutador RETROCESO/APAGADO/AVANCE en la posición APAGADO, coloque el cable a lo largo de una senda despejada. Con las manos secas, enchufe el cable en un tomacorriente con conexión a tierra. Mantenga todas las conexiones secas y alejadas del suelo. Si el cable no tiene el largo suficiente, utilice un cable de extensión que tenga las siguientes características:
 - Está en buenas condiciones.
 - Tiene un enchufe de tres patas igual al enchufe de la roscadora.
 - Tiene la clasificación nominal para uso al aire libre.
 - Tiene alambre del diámetro suficiente. Para cables de extensión de hasta 50 pies (15,2 m), use alambre de 14 AWG (2,5 mm²) o más grueso. Para cables de extensión de 50 a 100 pies (15,2 a 30,5 m), use alambre de 12 AWG (2,5 mm²) o más grueso.
13. Revise el buen funcionamiento de la roscadora. Con las manos apartadas de la máquina:
 - Mueva el conmutador RETROCESO/APAGADO/AVANCE a la posición AVANCE. Oprima y suelte el interruptor de pie. El mandril debe girar a la izquierda cuando se observa desde el extremo del carro. *Vea la Figura 22.* Repita el proceso con el conmutador en posición RETROCESO; el mandril debe girar a la derecha. Si la roscadora no gira en el sentido correcto, o si el interruptor de pie no controla

el funcionamiento de la máquina, no utilice la roscadora hasta que se haya reparado.

- Pise el interruptor de pie y manténgalo oprimido. Inspeccione las partes móviles para verificar que estén bien alineadas, no estén trabadas, no emitan ruidos raros ni exista ninguna condición anormal. Quite el pie del interruptor. Si encuentra alguna situación anormal, no utilice la roscadora hasta que se haya reparado.
- Coloque el cabezal de terrajas en la posición de uso. Pise el interruptor de pie y manténgalo oprimido. Verifique que fluya aceite por el cabezal de terrajas. Quite el pie del interruptor. Si es necesario, consulte la sección *Mantenición del sistema de aceite.*

14. Mueva el conmutador RETROCESO/APAGADO/AVANCE a la posición APAGADO. Con las manos secas, desenchufe la máquina.

Instalación y uso del cabezal de terrajas

La roscadora 1224 se puede usar con diversos cabezales de terrajas RIDGID para roscar tubos y pernos. *Vea los cabezales de terrajas disponibles en el catálogo RIDGID.*

Los cabezales de terrajas exigen un juego de terrajas para cada uno de los siguientes intervalos de diámetros de tubo: ($\frac{1}{4}$ " y $\frac{3}{8}$ "), ($\frac{1}{2}$ " y $\frac{3}{4}$ "), (1" a 2") y (2 $\frac{1}{2}$ " a 4"). Es necesario usar terrajas NPT/NPSM en los cabezales NPT. Es necesario usar terrajas BSPT/BSPP en los cabezales BSPT. La barra dimensional está marcada para cada tipo de cabezal.

Los cabezales que utilicen terrajas para pernos exigen un juego de terrajas específico para cada tamaño de rosca.

Vea en el catálogo RIDGID las terrajas disponibles para su cabezal de terrajas.

Después de cambiar o ajustar las terrajas, siempre corte una rosca de prueba para verificar el correcto tamaño de la rosca.

Colocación y extracción del cabezal de terrajas

Introduzca o extraiga el poste del cabezal de terrajas en el agujero correspondiente del carro. Cuando el poste está encajado a fondo, el cabezal de terrajas queda fijo en su posición. Cuando el cabezal de terrajas está instalado, se puede pivotar alrededor del poste para alinearlos con el tubo o se puede girar hacia arriba para alejarlo y permitir el uso del cortador o esariador.

Cabezales de terrajas de apertura rápida

Los cabezales de terrajas de apertura rápida incluyen los Modelos 713/913 y Modelos 541/542 para pernos. Los cabezales de terrajas de apertura rápida se abren y se cierran manualmente para conseguir una longitud de rosca especificada por el usuario.

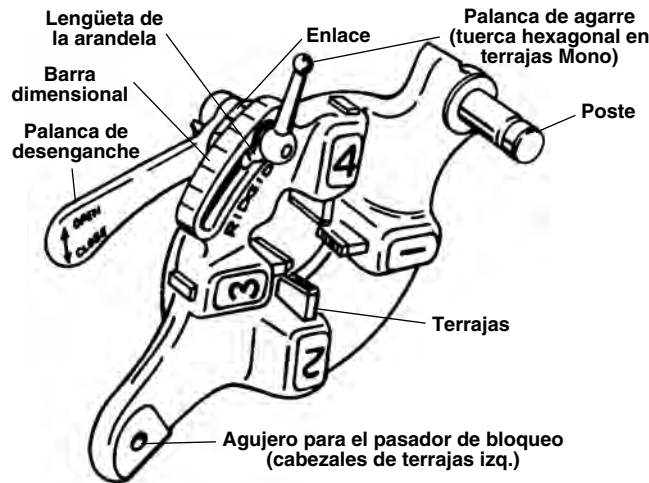


Figura 3 – Cabezal de terrajas de apertura rápida

Introducción y cambio de terrajas

1. Coloque el cabezal de terrajas con los números orientados hacia arriba.
2. Coloque la palanca de desenganche en la posición OPEN (ABIERTA) (Figura 4).

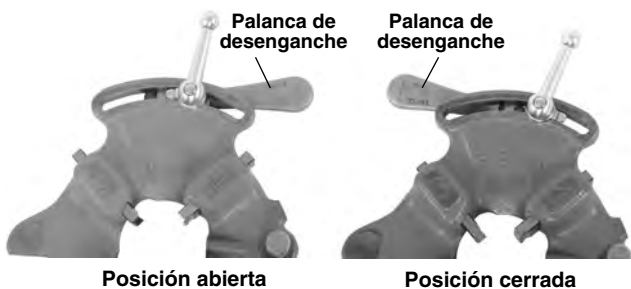
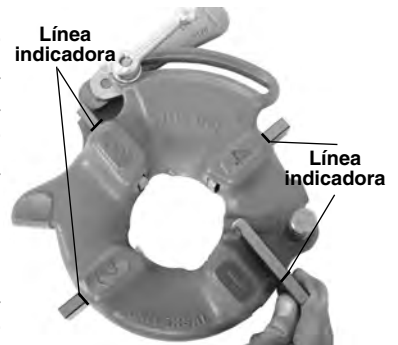


Figura 4 – Posición abierta y cerrada de la palanca

3. Afloje la palanca de agarre, dándole aproximadamente tres vueltas.
4. Levante la lengüeta de la arandela para extraerla de la ranura en la barra dimensional. Desplace la arandela hacia el final de la ranura (Figura 5).
5. Extraiga las terrajas del cabezal.
6. Introduzca las terrajas apropiadas en el cabezal de terrajas, con el borde que lleva el número orientado hacia arriba, hasta que la línea indicadora esté al ras con el borde del cabezal (vea la Figura 5). Los números en las terrajas deben coincidir con los números en las ranuras del cabezal. Siempre cambie el

juego completo de terrajas. No mezcle terrajas de distintos juegos.

7. Mueva la marca índice del enlace para que esté alineada con la marca del tamaño deseado en la barra dimensional. Ajuste la inserción de las terrajas según sea necesario para permitir el movimiento. La lengüeta de la



8. Apriete la palanca de agarre.

Ajuste del tamaño de la rosca

1. Instale el cabezal según las *Instrucciones de la máquina roscadora* y coloque el cabezal en la posición de roscado.
2. Afloje la palanca de agarre.
3. Empiece con la marca índice del enlace alineada con la marca del tamaño deseado en la barra dimensional. Si se trata de cabezales mono o para pernos, fije la marca del enlace para alinearla con la línea en la barra dimensional. Para roscar pernos con un cabezal de terrajas universales, coloque todas las terrajas para pernos alineadas con la línea BOLT (perno) en la barra dimensional (Figura 6).

4. Si resulta necesario ajustar el tamaño de la rosca, fije la marca índice del enlace para que no coincida exactamente con la marca en la barra dimensional: mueva la marca en la dirección OVER (MÁS) si desea una rosca de mayor diámetro (con menos vueltas en el acoplamiento). Mueva la marca en la dirección UNDER (MENOS) para lograr una rosca de menor diámetro (con más vueltas en el acoplamiento).

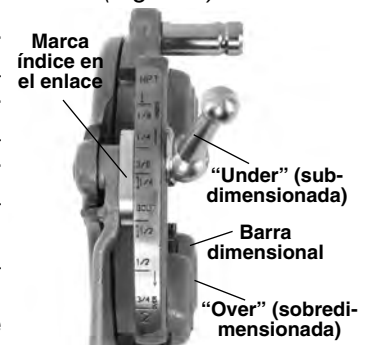


Figura 6 – Ajuste del tamaño de la rosca

5. Apriete la palanca de agarre.

Apertura del cabezal de terrajas al completar la rosca

Al final de la rosca:

- Roscas de tubos: El extremo del tubo está al ras con el extremo de terraja número 1.

- Roscas de pernos: Labre la rosca de la longitud deseada. Observe atentamente para que no se produzca interferencia entre las partes.

Coloque la palanca de desenganche en la posición OPEN (ABIERTA), para retraer las terrajas.

Cabezales de terrajas de autoapertura

Los cabezales de terrajas de autoapertura incluyen el Modelo 711 NPT der. y el Modelo 911 BSPT der. Para tubos de diámetro entre 1/2" y 2", se puede usar un gatillo para abrir el cabezal de terrajas una vez que se complete la rosca. Para tubos de 1/8" a 3/8", para pernos y roscas rectas, y para otros tamaños deseados, el cabezal de terrajas se abre manualmente cuando se completa la rosca.

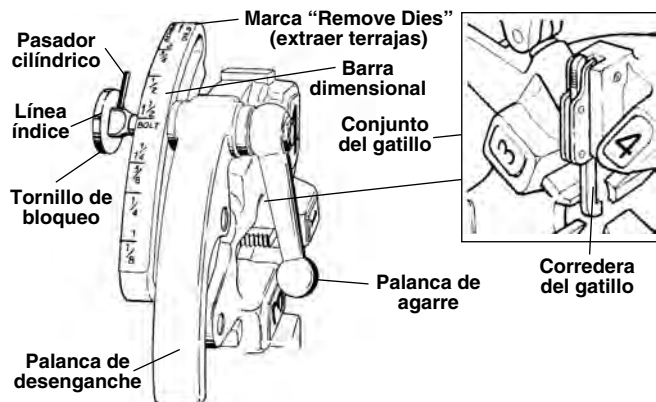


Figura 7 – Cabezal de terrajas universal, de autoapertura

Introducción y cambio de terrajas

1. Coloque el cabezal de terrajas con los números orientados hacia arriba.
2. Asegure que el conjunto del gatillo esté desenganchado y que el cabezal de terrajas esté en la posición OPEN (ABIERTA); para hacerlo jale la corredera del gatillo, alejándola del cabezal de terrajas. Manténgase apartado de la palanca de desenganche, que funciona a resorte, cuando desenganche el conjunto de gatillo.

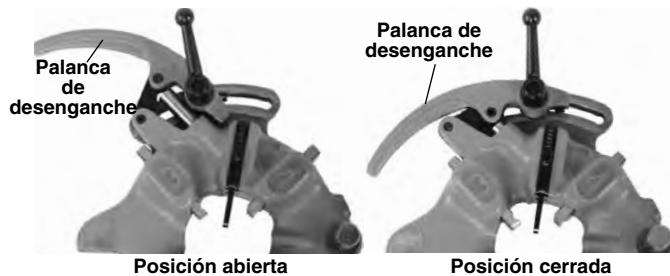
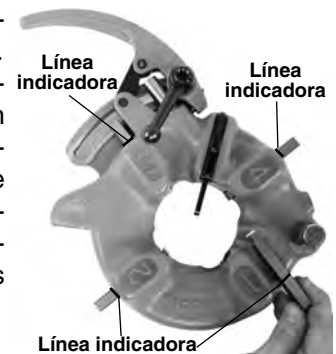


Figura 8 – Posición abierta y cerrada

3. Afloje la palanca de agarre, dándole aproximadamente seis vueltas completas.
4. Extraiga el tornillo de bloqueo de la barra dimen-

sional, para que el pasador cilíndrico no entre en la ranura. Desplace la barra dimensional para que la línea índice en el tornillo de bloqueo esté alineada con la marca REMOVE DIES (EXTRAER TERRAJAS).

5. Extraiga las terrajas del cabezal.
6. Introduzca las terrajas apropiadas en el cabezal de terrajas, con el borde que lleva el número orientado hacia arriba, hasta que la línea indicadora esté al ras con el borde del cabezal (vea la Figura 9). Los números en las terrajas deben coincidir con los números en las ranuras del cabezal. Siempre cambie el juego completo de terrajas. No mezcle terrajas de distintos juegos.
7. Mueva la barra dimensional hasta que la línea **Figura 9 – Inserción de terrajas** índice en el tornillo de bloqueo esté alineada con la marca de tamaño deseado. Ajuste la inserción de las terrajas según sea necesario para permitir el movimiento.
8. Asegure que el pasador cilíndrico apunte hacia la marca REMOVE DIES.
9. Apriete la palanca de agarre.



Ajuste del tamaño de la rosca

1. Instale el cabezal según las Instrucciones de la máquina roscadora y coloque el cabezal en la posición de roscado.
2. Afloje la palanca de agarre.
3. Desplace la barra dimensional de manera que la línea índice en el tornillo de bloqueo esté alineada con la marca de tamaño deseado en la barra dimensional.
4. Si resulta necesario ajustar el tamaño de la rosca, fije la línea índice del tornillo de bloqueo para que no coincida exactamente con la marca en la barra dimensional: mueva la marca en la dirección OVER (MÁS) si desea una rosca de mayor diámetro (con menos vueltas en el acoplamiento). Mueva la línea índice en la dirección UNDER (MENOS) para lograr una rosca de menor diámetro (con más vueltas en el acoplamiento).

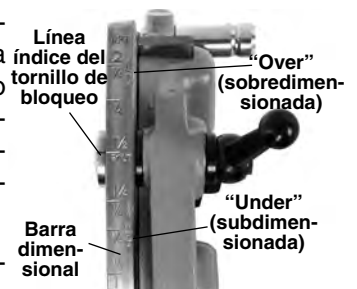


Figura 10 – Ajuste del tamaño de la rosca

5. Apriete la palanca de agarre.

Ajuste de la corredera del gatillo

Coloque la corredera del gatillo en la posición que corresponda según el diámetro del tubo que desea roscar (vea la Figura 11).

- ½" y ¾": El extremo del tubo debe topar el talón de la corredera del gatillo.
- 1" a 2": El extremo del tubo debe topar la espiga de la corredera del gatillo.
- Para tubos de ⅛", ¼" y ⅜", para roscas más largas o más cortas y para pernos:

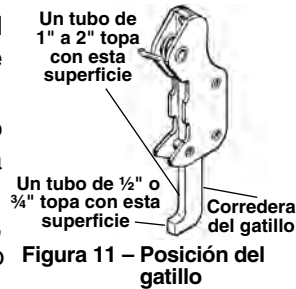


Figura 11 – Posición del gatillo

Empuje la corredera del gatillo hacia arriba para alejarla. Es necesario abrir el cabezal de terrajas manualmente.

Apertura del cabezal de terrajas al completar la rosca

Cuando use el gatillo, entrará en contacto con el extremo del tubo y automáticamente se abrirá el cabezal de terrajas. Manténgase alejado de la palanca de desenganche, que se abre a resorte.

Para abrir el cabezal de terrajas manualmente (con la corredera del gatillo levantada) cuando haya labrado la rosca:

- Tubos con roscas cónicas: El extremo del tubo está al ras con el extremo de la terraja número 1.
- Pernos y roscas rectas: Haga el roscado de la longitud deseada. Observe atentamente para que no se produzca interferencia entre las partes.

Coloque la palanca de desenganche en la posición OPEN (abierta), para retraer las terrajas.

Cabezales de terrajas de autoapertura con retroceso Modelo 714 y Modelo 914

Los cabezales de terrajas de autoapertura con retroceso Modelo 714 (NPT/NPSM) y Modelo 914 (BSPT/BSPP) se usan en la roscadora 1224 para tubos con un diámetro de 2 ½" a 4". Estos cabezales se pueden ajustar para roscar tubos con roscas cónicas o rectas.

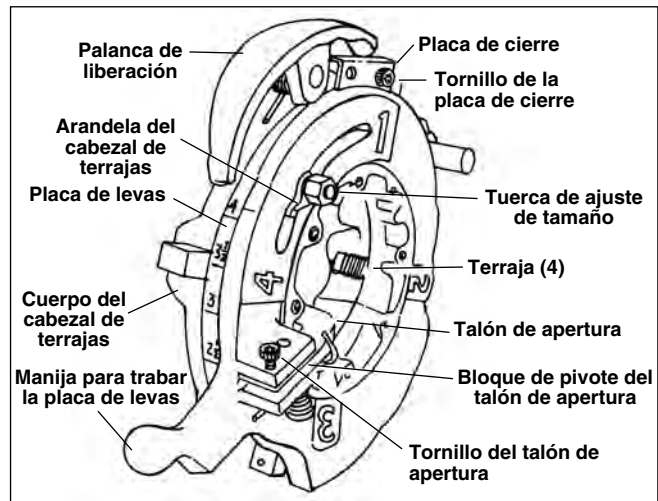


Figura 12 – Cabezal de terrajas de autoapertura con retroceso

Introducción y cambio de terrajas

1. Coloque el cabezal de terrajas con los números orientados hacia arriba.
2. Jale hacia atrás el talón de apertura para alejarlo del cabezal, con el fin de abrir el cabezal. Manténgase apartado de las piezas a resorte cuando efectúe el desenganche.
3. Afloje la tuerca de ajuste y levante la arandela para sacarla de la ranura.

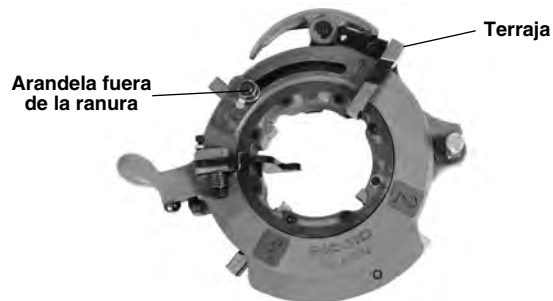


Figura 13 – Inserción de terrajas

4. Haga girar la placa de levas hacia los diámetros más grandes hasta que el tornillo de ajuste alcance el final de la ranura.
5. Extraiga las terrajas del cabezal de terrajas.

Introduzca las terrajas apropiadas en el cabezal, con el borde que lleva el número orientado hacia arriba. Los números en las terrajas deben coincidir con los números en las ranuras del cabezal (vea la Figura 13). Las terrajas tienen una ranura que encaja con un retén de bola en el cabezal de terrajas cuando las terrajas están bien colocadas. Siempre cambie el juego completo de terrajas. No mezcle terrajas de distintos juegos.

- Haga rotar la placa de levas hasta lograr el ajuste de tamaño deseado.
- La lengüeta de la arandela debe estar en la ranura a la izquierda. Apriete la tuerca de ajuste.

Ajuste del tamaño de la rosca

- Instale el cabezal de terrajas según las instrucciones de la roscadora y coloque el cabezal en posición de roscar.
- Afloje la tuerca de ajuste.
- Coloque la línea índice alineada con la marca de tamaño deseada en la placa de levas/barra dimensional.

- Si resulta necesario ajustar el tamaño de la rosca, fije la línea índice para que no coincida exactamente con la marca en la placa de levas/ barra dimensional: para una rosca de mayor diámetro, dele menos vueltas al acoplamiento. Para una rosca de menor diámetro, dele más vueltas al acoplamiento, como se muestra en la placa de levas/barra dimensional.

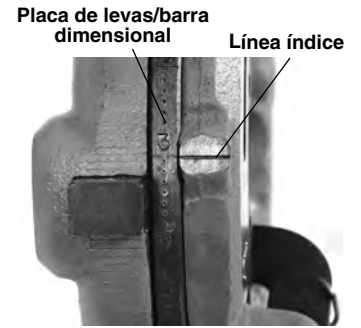
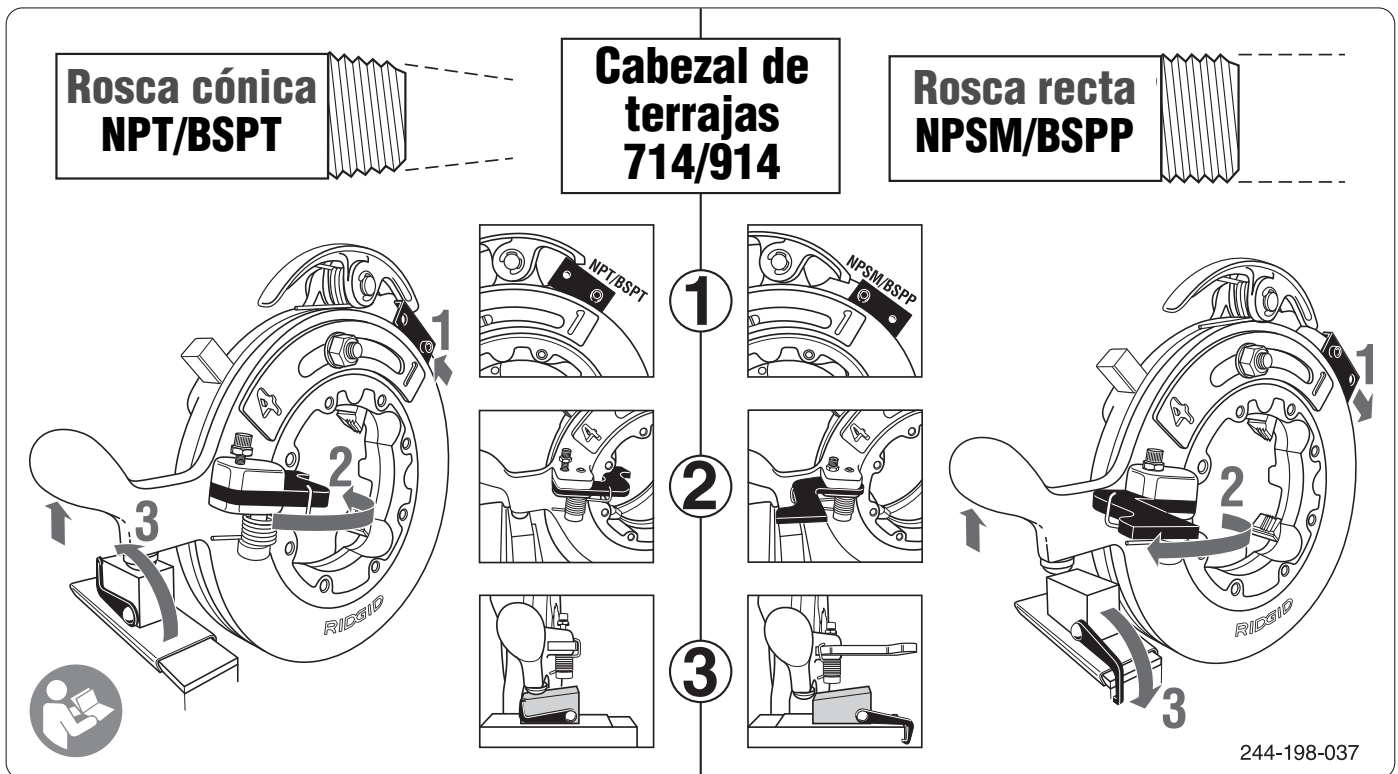


Figura 14 – Ajuste del tamaño de la rosca

- Apriete la tuerca de ajuste.



244-198-037

Figura 15 – Ajuste para tubos con roscas cónicas o roscas rectas

Ajuste para tubos con roscas cónicas o roscas rectas

- Para roscas cónicas (NPT o BSPT según del cabezal de terrajas), consulte la *Figura 15*: los ajustes se hacen hacia **ADENTRO**.
 - Coloque la placa de cierre hacia **adentro**, hacia la palanca de liberación. Trabe la placa de cierre con el tornillo, a través del agujero marcado "NPT/BSPT".

- Para roscas rectas (NPSM o BSPP según el cabezal de terrajas), consulte la *Figura 15*: los ajustes se hacen hacia **AFUERA**.
 - Mueva el talón de apertura hacia **adentro**, hacia el tubo.
 - Desenganche el pestillo y permita que la barra de senos se mueva hacia **adentro**, hacia el tubo. Haga rotar el pestillo para que quede adosado a la barra de senos, para proteger el pestillo.

- (1) Coloque la placa de cierre hacia **afuera**, alejada de la palanca de liberación. Trabe la placa de cierre con el tornillo, a través del agujero marcado "NPSM/BSPP".
- (2) Mueva el talón de apertura hacia **afuera**, alejado del tubo, y apriete el tornillo de la placa de liberación para mantener fijada la posición.
- (3) Jale la barra de senos hacia **afuera**, alejándola del cabezal de terrajas y haga girar el pestillo para engancharlo al carro. Hay un agujero al final del carro para encajar el pestillo.

Preparación del cabezal de terrajas para hacer el roscado

Baje el cabezal de terrajas para que esté en la posición de roscado.

Empuje hacia arriba la manija para trabar la placa de levas, con el fin de preparar y cerrar el cabezal de terrajas (Figura 16).

- Cuando el ajuste se haga para roscas cónicas, el talón de apertura se engancha con el pestillo hacia el tubo, y la superficie esférica de la placa de bloqueo de levas descansa sobre la barra de senos.
- Cuando el ajuste se haga para roscas rectas, la palanca de liberación se encaja en una muesca de la placa de bloqueo de levas. El cabezal de terrajas no toca la barra de senos.

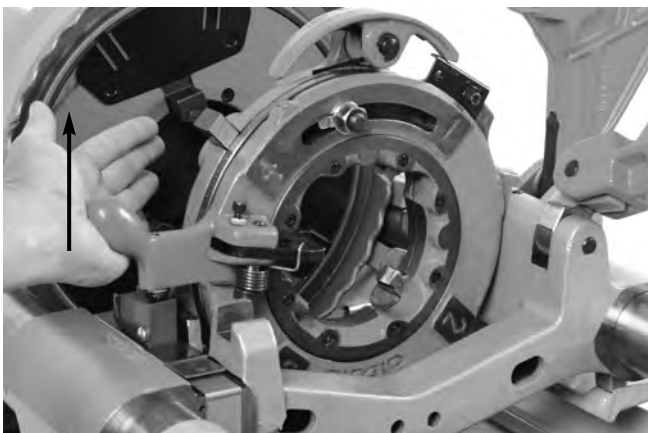


Figura 16 – Cierre del cabezal de terrajas con retroceso

Apertura del cabezal de terrajas al completar la rosca

- Roscas cónicas: Al final del roscado, la superficie esférica de la placa de bloqueo de levas se sale de la barra de senos, con lo cual se abre el cabezal de terrajas.
- Roscas rectas: Haga la rosca de la longitud deseada y abra el cabezal de terrajas manualmente. Para hacerlo,

oprime la palanca de liberación. Proceda con cautela para que no haya interferencia entre las partes.

Instrucciones de operación

⚠ ADVERTENCIA



No use guantes ni ropa suelta. Mantenga abotonadas las chaquetas y las mangas. La ropa suelta se puede enredar en las piezas giratorias y causar lesiones por aplastamiento o golpes.

Mantenga las manos apartadas del tubo en movimiento y piezas que giran. Detenga la máquina antes de limpiar roscas o atornillar acoplamientos. No estire el brazo por encima de la máquina o del tubo. Permita que la máquina se detenga por completo antes de tocar los mandriles de la máquina o el tubo, para evitar enganches y lesiones por aplastamiento o golpes.

No use esta máquina para apretar o aflojar acoplamientos. Esto puede causar lesiones por golpes o aplastamiento.

No use una roscadora sin un interruptor de pie que esté en buen estado de funcionamiento. Jamás trabe un interruptor de pie en la posición ENCENDIDO de manera que el interruptor no controle la máquina. Un interruptor de pie proporciona un mejor control de la máquina al permitirle detener el motor con tan solo soltar el pedal. Si usted se llegara a enganchar en la máquina y la máquina sigue funcionando con el motor, la roscadora lo jalará hacia ella. Esta máquina tiene un elevado par de torsión, por lo cual puede hacer que su ropa se le enrolle alrededor del brazo o de otra parte de su cuerpo, con fuerza suficiente para causar lesiones por aplastamiento y fractura de huesos, o causar lesiones por golpes o de otro tipo.

Una sola persona debe controlar el interruptor de pie y efectuar el trabajo. No debe operarse con más de una sola persona. Si se produce un enganche, el operario debe ser capaz de controlar el interruptor de pie.

Siga las instrucciones de operación para reducir el riesgo de lesiones producidas por enganches, golpes, aplastamiento y otras causas.

1. Asegure que la máquina y la zona de trabajo estén bien instaladas; asegure que en la zona de trabajo no haya ninguna persona ajena a la obra ni otras distracciones. El operario debe ser la única persona en la zona cuando la máquina está funcionando.

El cortador, escariador y cabezal de terrajas deben estar desplazados hacia arriba y alejados del operario. No los coloque en posición de trabajo. Asegure

que estén estables y que no se caerán. Abra por completo los mandriles de la roscadora.

2. Si se trata de un tubo de longitud inferior a 2 pies (60 cm), introdúzcalo en el frente de la máquina. Si se trata de un tubo más largo, se puede introducir desde cualquier extremo para que la sección más larga se extienda detrás de la roscadora. Confirme que los soportatubos estén bien colocados.
3. Si fuera necesario, marque el tubo. Coloque el tubo de manera que la parte que se debe cortar o el extremo que se debe escariar o roscar esté a aproximadamente 6" (150 mm) del frente del mandril. Si está más cerca, el carro podría golpear y dañar la máquina durante el roscado.
4. Gire el dispositivo de centrado trasero a la derecha (mirando desde la parte de atrás de la máquina) para acercarlo al tubo. Asegure que el tubo esté centrado en las piezas de inserción. Así el tubo se apoya mejor y los resultados son mejores.
5. Gire el volante del mandril delantero hacia la izquierda (mirando desde el frente de la máquina), para agarrar el tubo. Asegure que el tubo esté centrado en las piezas de inserción. Gire el volante enérgicamente varias veces a la izquierda para fijar el tubo en el mandril delantero.

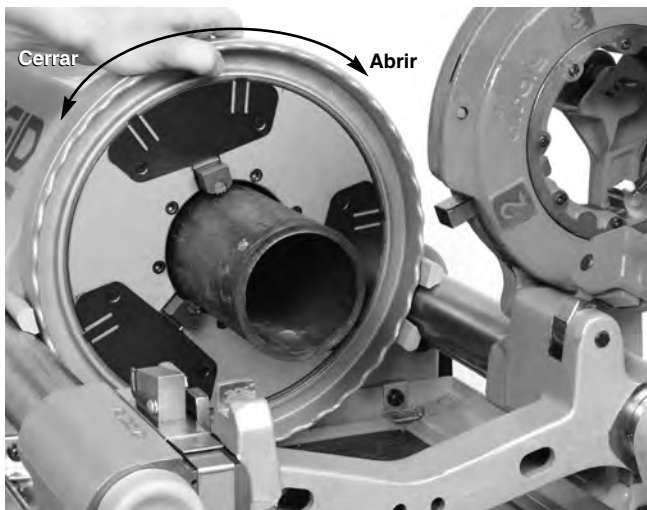


Figura 17 – Colocación del tubo en el mandril



Figura 18 – Posición de operación

6. Adopte la posición de trabajo correcta para ayudar a controlar la máquina y el tubo (vea la Figura 18).
 - Párese en el mismo lado donde está el conmutador RETROCESO/APAGADO/AVANCE de la máquina, con fácil acceso a las herramientas y al interruptor.
 - Asegure que pueda controlar el interruptor de pie. Todavía no pise el pedal. En caso de emergencia, debe ser capaz de soltar el interruptor de pie.
 - Asegure que tenga buen equilibrio y que no tenga que extender el cuerpo.

Cambio de la velocidad de operación

La máquina 1224 tiene dos velocidades de operación: 12 rpm y 36 rpm. La velocidad de 36 rpm se puede usar para cortar y escariar tubos de hasta 4" y para roscar tubos de hasta 2". La velocidad de 12 rpm se debe usar para roscar tubos de 2½" o más grandes, o para otras aplicaciones de gran par de torsión, tales como con acero inoxidable, materiales muy duros, etc. Si la máquina 1224 llegara a trabarse cuando esté funcionando a 36 rpm, inmediatamente suelte el interruptor de pedal y reduzca la velocidad a 12 rpm.

No cambie la velocidad de operación mientras esté efectuando un corte, escariado o roscado. Esto podría impedir que la máquina pase de un cambio a otro. Para cambiar la velocidad de operación, debe:

1. Colocar el conmutador RETROCESO/APAGADO/-AVANCE en la posición AVANCE.
2. Presionar y soltar el interruptor de pie para que empiece a girar el mandril.
3. Mientras esté girando el mandril (sin pisar el interruptor de pie), mover la perilla de cambio.

Estos pasos concuerdan con los que aparecen en la calcomanía de selección de velocidad (Figura 19).

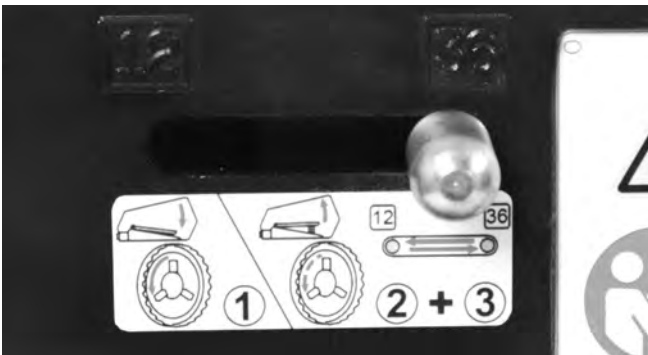


Figura 19 – Calcomanía de la perilla de cambio de velocidad

Ajuste del volante del carro

La posición del volante del carro de la máquina 1224 se puede ajustar para mejorar el efecto de palanca.

1. Jale el volante hacia afuera del carro.
2. Gire el volante un cuarto de vuelta. La manilla automáticamente encajará en la nueva posición.



Figura 20 – Ajuste del volante del carro

Corte con el cortador No. 764

1. Para abrir el cortador, gire el tornillo de alimentación a la izquierda. Baje el cortador hasta la posición de corte, sobre el tubo. Use el volante del carro para acercar el cortador a la zona de corte. La rueda de

corte y la marca en el tubo deben estar alineadas. Si corta tubos roscados o partes dañadas de un tubo, se puede dañar la rueda de corte.

2. Apriete la manilla del tornillo de alimentación del cortador, hasta que la rueda de corte esté bien adosada al tubo, manteniendo el alineamiento entre la rueda de corte y la marca en el tubo.
3. Coloque el conmutador RETROCESO/APAGADO/-AVANCE en la posición AVANCE (FOR).
4. Con las dos manos, agarre la manilla del tornillo de alimentación (Figura 21).
5. Oprima el interruptor de pie.
6. Haga girar la manilla del tornillo de alimentación una media vuelta por rotación del tubo, hasta cortar el tubo. Si aprieta demasiado la manilla, se reduce la vida útil de la rueda de corte y aumenta la formación de rebabas en el tubo. No sostenga el tubo a mano. Permita que la parte cortada quede apoyada en el carro de la roscadora y en el soportatubos.

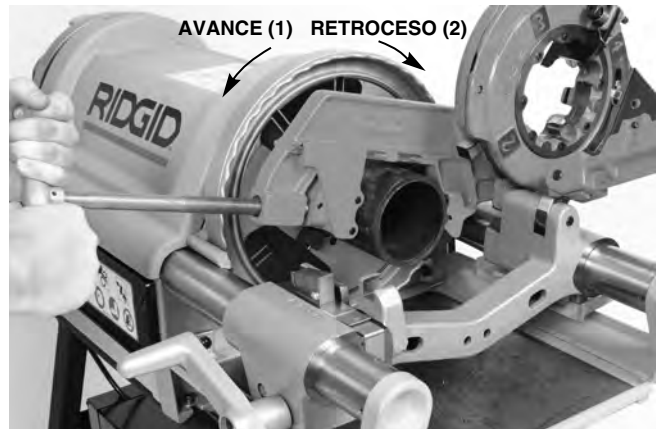


Figura 21 – Corte de un tubo con el cortador 764: rotación de la máquina

7. Quite el pie del pedal.
8. Coloque el conmutador RETROCESO/APAGADO/-AVANCE en posición APAGADO.
9. Levante el cortador para alejarlo del operario.

Escariado con el escariador No. 744

1. Coloque el escariador en posición para escariar. Asegure que esté bien fijo para que no se mueva durante su uso.
2. Coloque el conmutador RETROCESO/APAGADO/-AVANCE en la posición AVANCE (FOR).
3. Con las dos manos, agarre el volante del carro.
4. Oprima el interruptor de pie.

5. Gire el volante del carro para acercar el escariador al extremo del tubo. Aplique una leve presión al volante para introducir el escariador dentro del tubo y eliminar las rebabas en forma deseada.



Figura 22 – Escariado de un tubo con el escariador

6. Quite el pie del pedal.
7. Coloque el conmutador RETROCESO/APAGADO/AVANCE en posición APAGADO.
8. Levante el escariador para alejarlo del operario.

Roscado de tubos

Como los tubos tienen distintas características, siempre debe cortar una rosca de prueba al iniciar el trabajo del día o cuando cambie a un tubo de diferente diámetro, espesor o material.

1. Baje el cabezal de terrajas hasta que esté en posición de roscado. Confirme que las terrajas sean las que corresponden al tubo que se va roscar y que las terrajas estén bien encajadas. Vea la sección *Instalación y uso del cabezal de terrajas* para obtener información sobre cómo cambiar y ajustar las terrajas.
2. Cierre el cabezal de terrajas.
3. Elija la velocidad de operación correcta para la tarea.
4. Coloque el conmutador RETROCESO/APAGADO/AVANCE en la posición AVANCE (FOR).
5. Con las dos manos, agarre el volante del carro.
6. Oprima el interruptor de pie.
7. Verifique el flujo de aceite de corte a través del cabezal de terrajas.
8. Gire el volante del carro para desplazar el cabezal de terrajas hasta el extremo del tubo. Presione levemente el volante para iniciar la acción del cabezal de terrajas sobre el tubo. Una vez que el cabezal de terrajas

empiece a roscar el tubo, no es necesario seguir aplicando fuerza al volante del carro.

Cuando use el cabezal de terrajas 714/914 para producir una rosca cónica, una vez que la placa de liberación activa el mecanismo de retroceso, si aleja el cabezal de terrajas del tubo se cortará una rosca sobredimensionada.



Figura 23 – Roscado de un tubo (se muestra un cabezal de terrajas 714)

9. Mantenga las manos apartadas del tubo en rotación. Asegure que el carro no choque contra la máquina. Cuando se complete la rosca, abra el cabezal de terrajas (si el cabezal de terrajas no se abre automáticamente). No haga funcionar la máquina en marcha atrás (RETROCESO) si las terrajas están en contacto con el tubo.
10. Quite el pie del pedal.
11. Coloque el conmutador RETROCESO/APAGADO/AVANCE en posición APAGADO.
12. Gire el volante del carro para desplazar el cabezal de terrajas más allá del extremo del tubo. Levante el cabezal de terrajas para alejarlo del operario.
13. Extraiga el tubo de la máquina y haga la inspección de la rosca. No use la máquina para apretar o aflojar acoplamientos a la rosca.

Roscado de barras y pernos

El proceso de roscar un perno o varilla es parecido al de roscar un tubo. El diámetro del material jamás debe exceder el diámetro principal de la rosca.

Cuando se labra una rosca en un perno, es necesario usar terrajas y cabezal de terrajas correctos. La rosca de un perno puede tener cualquier longitud necesaria pero hay que asegurar que el carro no choque contra la

máquina. Si se exige labrar una rosca larga, debe hacer lo siguiente:

1. Al final de la carrera del carro, deje el cabezal de terrajas cerrado, quite el pie del pedal y coloque el conmutador RETROCESO/APAGADO/AVANCE en la posición APAGADO.
2. Abra el mandril y desplace el carro y la pieza labrada hacia el extremo de la máquina.
3. Vuelva a colocar el perno o varilla en el mandril y siga con el roscado.

Roscado a la izquierda

El labrado de roscas a la izquierda es parecido al procedimiento para roscas a la derecha. Se puede roscar a la izquierda solamente con cabezales de terrajas a la izquierda y terrajas a la izquierda. Enganche el pestillo para fijar el cabezal de terrajas (Figura 24). Haga funcionar la máquina en RETROCESO (REV) cuando haga la rosca.

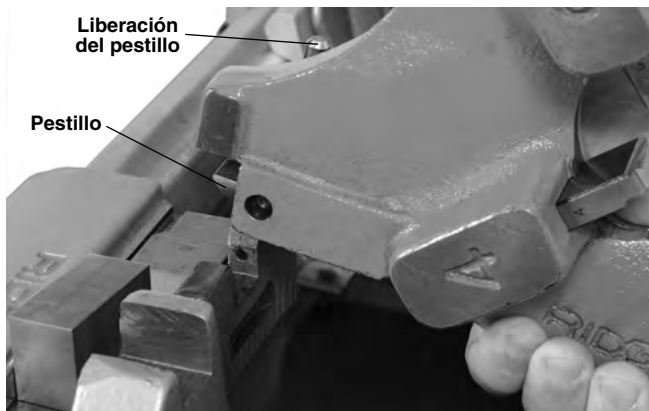


Figura 24 – Pestillo en el cabezal de terrajas izq.

Biselado de tubos

1. Instale las terrajas de biselado según el procedimiento de *Introducción y cambio del cabezal de terrajas*.

La terraja para cortar el bisel (marcada “2”) tiene que colocarse en la ranura para terrajas 2 en el cabezal. Las terrajas guía no están marcadas y se colocan en las ranuras para terrajas 1, 3 y 4 del cabezal. Consulte las respectivas instrucciones del cabezal de terrajas para información sobre la colocación de terrajas.

2. Para los cabezales 714 y 914, haga la instalación como lo haría para roscas rectas NPSM/BSPP.
3. Siga las instrucciones de la roscadora para roscar el tubo.

Coloque el cabezal de terrajas en la posición para hacer el roscado y cierre el cabezal. Mueva el carro para poner las terrajas en contacto con el tubo y aplique una fuerza leve para formar el bisel deseado.

En algunos casos podría ser necesario ajustar (sobredimensionar o subdimensionar) un poco para que las terrajas guía se monten sobre la superficie externa del tubo.

Extracción del tubo de la máquina

1. Estando el conmutador RETROCESO/APAGADO/AVANCE en la posición APAGADO y el tubo estacionario, haga girar el volante con fuerza repetidamente hacia la derecha, para aflojar el tubo dentro del mandril. Abra el mandril delantero y el dispositivo de centrado trasero. No introduzca la mano en el mandril o en el dispositivo de centrado.
2. Agarre bien el tubo y extráigalo de la máquina. Agarre el tubo con cuidado ya que la rosca podría aun estar caliente y puede tener rebabas o bordes filosos.

Inspección de las roscas

1. Después de extraer el tubo de la máquina, limpie la rosca.
2. Inspeccione la rosca visualmente. Las roscas deben verse lisas, completas y bien formadas. Si se observan problemas como roscas rotas, onduladas o delgadas, o si el tubo está ovalado, es posible que la rosca no forme un sello hermético. Consulte la tabla de *Resolución de problemas* para diagnosticar estas fallas.
3. Inspeccione el tamaño de la rosca.
 - El método preferido para revisar el tamaño de la rosca es mediante un calibrador anular. Hay calibradores anulares de diversos estilos; su uso puede ser diferente a lo que se muestra aquí.
 - Enrosque el calibrador anular en la rosca y apriete la conexión con la mano.
 - Observe el extremo del tubo y vea cuánto se asoma más allá del calibrador anular. El extremo del tubo debe quedar al ras con el borde del calibrador, más/menos una vuelta. Si la rosca no mide lo que corresponde, corte el tubo para eliminar la rosca, ajuste el cabezal de terrajas y corte otra rosca. El uso de una rosca que no cumple con la medición correcta puede causar fugas.

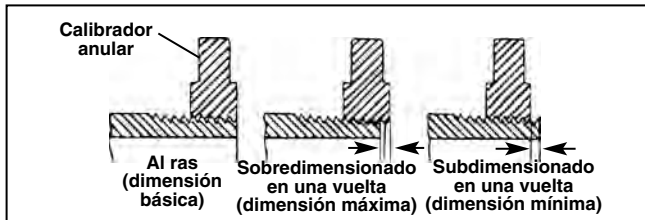


Figura 25 – Revisión del tamaño de la rosca

- Si no dispone de un calibre anular para verificar el tamaño de la rosca, se puede usar en su lugar un acoplamiento limpio, nuevo y representativo de los acoplamientos usados en la obra. Para roscas NPT de 2" o menos, el tubo debe labrarse para poder apretar la conexión con 4 a 5 vueltas a mano con el acoplamiento. Para roscas BSPT de 2" o menos, la conexión se logra apretar con 3 vueltas a mano. Para roscas NPT de 2½" a 4", la conexión debe involucrar 5,5 a 7 roscas; para roscas BSPT, la conexión debe lograrse con 4 roscas.
4. Para ajustar el tamaño de la rosca, vea *Ajuste del tamaño de la rosca* en la sección *Instalación y uso del cabezal de terrajas*.
 5. Someta el sistema de tuberías a prueba conforme a los códigos locales y las prácticas normales.

Preparación de la máquina para su transporte

1. Asegure que el conmutador RETROCESO/APAGADO/AVANCE esté en posición APAGADO y que el cordón esté desenchufado.
2. Limpie la bandeja de virutas para eliminar virutas y otros residuos. Quite o fije todos los equipos y materiales conectados a la máquina y al soporte antes de moverlos, para que no se vuelquen y se caigan. Limpie el piso para quitarle el aceite y residuos.
3. Coloque el cortador, escariador y cabezal de terrajas en la posición de operación.
4. Enrolle el cable de electricidad y el cable del interruptor de pie.
5. Proceda con cautela cuando levante y mueva la máquina. Siga las instrucciones del soporte. Está consciente del peso de la máquina.



Figura 26 – La máquina preparada para su transporte

Instrucciones de mantenimiento

⚠ ADVERTENCIA

Antes de hacer algún trabajo de mantenimiento o ajustes, asegure que el conmutador RETROCESO/APAGADO/AVANCE esté en la posición APAGADO y la máquina esté desenchufada.

Haga la mantención de la máquina de acuerdo con estos procedimientos para reducir el riesgo de lesiones por choque de electricidad, enmarañamiento y otras causas.

Limpieza

Después de cada uso, vacíe la bandeja de virutas; quite las virutas y con un paño limpie los residuos de aceite. Con un paño, quite el aceite de todas las superficies expuestas, especialmente las zonas que tienen cierto movimiento, como los rieles del carro.

Si las piezas de la mordaza no agarran bien y es necesario limpiarlas, use una escobilla de alambre para eliminar residuos de incrustaciones, etc.

Extracción y colocación de la tapa superior

La tapa superior está sujeta con tornillos de cabeza hexagonal en cada esquina. Los tornillos están fijados a la tapa para que no se pierdan. Cuando desee quitar o instalar la tapa, afloje o apriete los tornillos de cabeza hexagonal en tres pasos, para permitir que la tapa se desplace y se flexione. Vea en la *Figura 27* cómo se realiza la secuencia de apretar o aflojar los tornillos. No haga funcionar la roscadora si no tiene colocada la tapa.

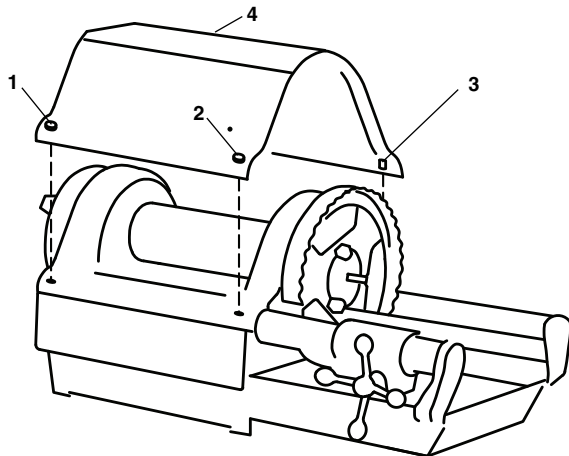


Figura 27 – Secuencia para apretar o aflojar los tornillos de cabeza hexagonal de la tapa superior

Lubricación

Una vez al mes (o más seguido, si es necesario), lubrique con un aceite de lubricación liviano todas las partes móviles expuestas, tales como los rieles del carro, ruedas de corte, tornillo de alimentación del cortador, piezas de la mordaza y puntos de pivote. Con un paño, quite el exceso de aceite de las partes expuestas.

Cada 2 a 6 meses, según cuánto se use la máquina, quite la tapa superior y use una pistola de engrase para aplicar una grasa de litio EP (alta presión) en los acoplamientos de engrase del eje (Figura 28).

No haga funcionar la roscadora si no tiene colocada la tapa. Siempre vuelva a colocar la tapa inmediatamente después de lubricar la máquina.



Figura 28 – Acoplamientos de engrase

Mantenimiento del sistema de aceite

Para quitar el conjunto de bandeja, empujelo hacia el mandril delantero (1) y levántelo (2) (vea la Figura 29).

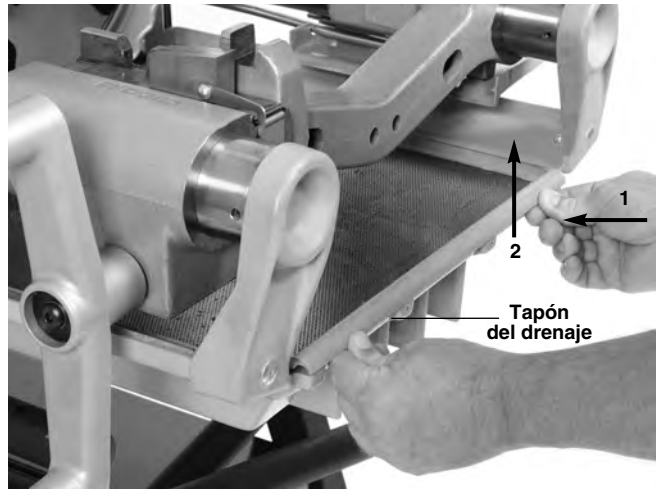


Figura 29 – Extracción del conjunto de bandeja

El filtro de malla debe mantenerse limpio para que el aceite fluya correctamente. El filtro de malla está ubicado al fondo del depósito de aceite. Afloje el tornillo que une el filtro a la base, separe el filtro de la manguera de aceite y limpie el filtro. No haga funcionar la máquina si no tiene colocado el filtro de malla.

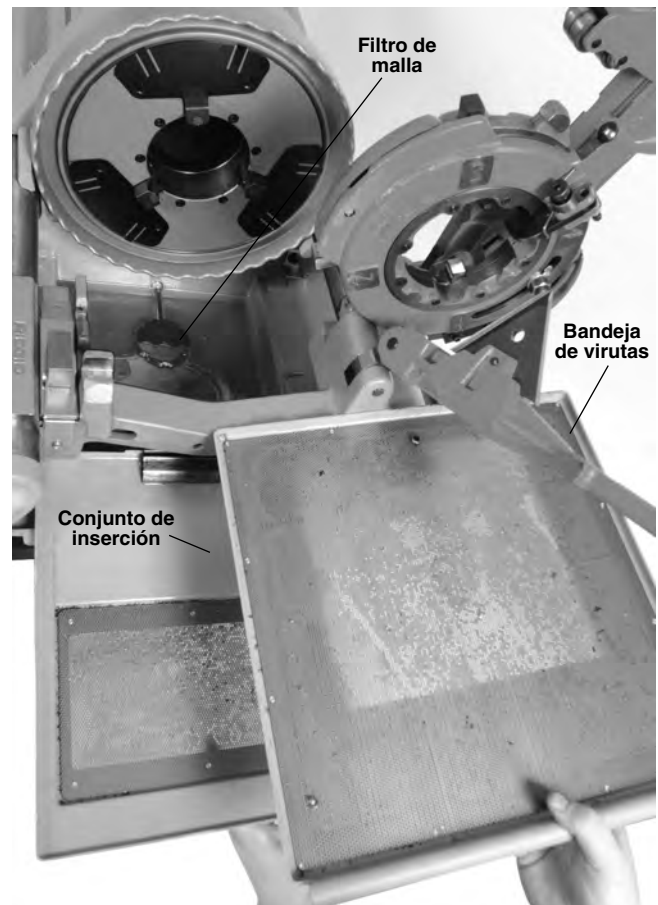


Figura 30 – Conjunto de filtro de malla

Cambie el aceite de corte cuando esté sucio o contaminado. Para drenar el aceite, coloque un recipiente debajo del tapón del drenaje en el extremo del depósito y quite el tapón. Quite el material acumulado al fondo del depósito. Use aceite de corte RIDGID para obtener roscas de buena calidad y para prolongar la vida útil de las terrajas. El depósito en la base tiene capacidad para aproximadamente 5 cuartos (4,7 litros) de aceite de corte.

La bomba de aceite es autocebante si el sistema está limpio. Si no puede cebarse, indica que la bomba está desgastada y debe someterse a servicio. No intente cebar la bomba.

Cambio de la rueda de corte No. 764

Si la rueda de corte está rota o embotada, empuje el pasador de la rueda de corte fuera del marco y determine si la rueda de corte está desgastada. Reemplace el pasador si hay desgaste e instale una nueva rueda de corte (vea el catálogo RIDGID). Lubrique el pasador con un aceite lubricante liviano.

Cambio de las piezas de inserción de la mordaza

Si las piezas de inserción de la mordaza están desgastadas y no agarran el tubo, debe reemplazarlas.

1. Coloque un destornillador en la ranura de la pieza y gire 90 grados a izquierda o a derecha. Extraiga la pieza de inserción (Figura 31).

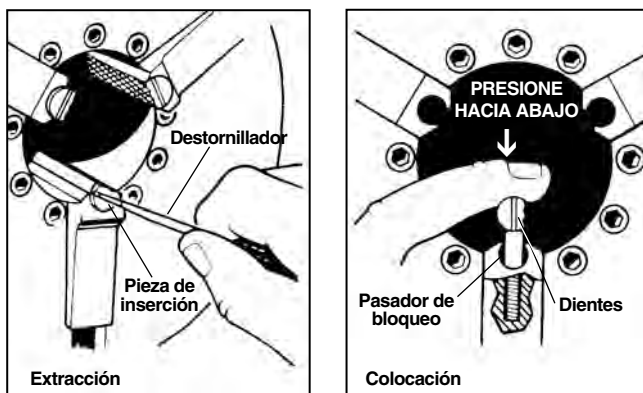


Figura 31 – Cambio de las piezas de inserción de la mordaza

2. Coloque la pieza de inserción de lado sobre el pasador de bloqueo y presione hacia abajo a fondo (Figura 31).
3. Presione la pieza de inserción firmemente hacia abajo. Con el destornillador, gire la pieza para que los dientes estén orientados hacia arriba.

Cambio y ajuste de la correa trapezoidal

Cuando lubrique los acoplamientos de engrase, revise la tensión de la correa trapezoidal. Aplique una fuerza moderada con un dedo, de como 4 libras (2 kg) en el punto medio de la correa. La correa debería desplazarse en aproximadamente 1/8" (3 mm) (Figura 32).

1. Afloje el tornillo de sujeción y la tuerca de 5/16" que unen el bastidor del motor al riel.
2. Afloje el tornillo de 1/4" que sujeta el tensor de la correa y jale el tensor hacia atrás.
3. Si debe cambiar la correa, afloje los cuatro pernos que unen el motor al soporte del motor y deslice el motor hacia la polea. Quite la correa y coloque una nueva. Deslice el motor para alejarlo de la polea y apriete los pernos que unen el motor al soporte.
4. Empuje el tensor de la correa hacia adelante hasta lograr la tensión correcta en la correa. Apriete el tornillo de 1/4".
5. Apriete el tornillo de sujeción y la tuerca de 5/16" que unen el soporte del motor al riel.

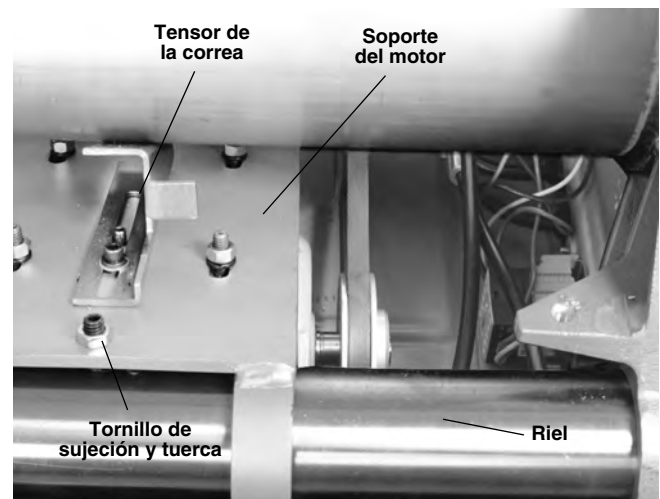


Figura 32 – Soporte del motor y tensor de la correa

Equipos opcionales

⚠️ ADVERTENCIA

Para reducir el riesgo de lesiones graves, use solamente equipos específicamente diseñados y recomendados para la roscadora 1224.

No. de catálogo	No. de modelo	Descripción
26212	764	Cortador de tipo rueda, de ¼" a 4"
26217	744	Cortador de tipo cuchilla, de ¼" a 4"
34577	–	Hoja de escariado, de ¼" a 4"
26187	–	Pieza de inserción de mordaza y conjunto de rodillos para tubos con revestimiento de PE
Cabezales de terrajas		
26132	711	Universal, de autoapertura, de mano derecha, NPT
26142	713	Universal, de apertura rápida, de mano izquierda, NPT
26152	714	Con retroceso, de autoapertura, de mano derecha, NPT
26137	911	Universal, de autoapertura, de mano derecha, BSPT
26147	913	Universal, de apertura rápida, de mano izq., BSPT
26157	914	Con retroceso, de autoapertura, de mano der., BSPT
26162	541	Para pernos, de apertura rápida, izq./der., ¼" a 1"
26167	542	Para pernos, de apertura rápida, izq./der., 1½" a 2"
55447	725	Cabezal de terrajas ranuradoras
57497	–	Juego de terrajas ranuradoras, 2½" a 3½"
57507	–	Broca ranuradora, 2½" a 3½"
57492	–	Juego de terrajas ranuradoras, 4"
57502	–	Broca ranuradora, 4"
55452	766	Cortador tipo cuchilla
58712	–	Broca de corte del cortador 766
Soportes		
92457	100A	Soporte universal con patas y bandeja
92462	150A	Soporte universal con ruedas y bandeja
92467	200A	Soporte universal con ruedas y armario
22563	–	Armario de acero
Mandriles nipleros		
51005	819	Mandril niplero, ½" a 2", NPT
68160	819	Mandril niplero, ½" a 2", BSPT
34157	419	Mandril niplero, 2½", NPT
34162	419	Mandril niplero, 3", NPT
34167	419	Mandril niplero, 4", NPT
34172	419	Mandril niplero, 2½", BSPT
34177	419	Mandril niplero, 3", BSPT
34182	419	Mandril niplero, 4", BSPT

Para ver una lista completa de los equipos RIDGID disponibles para la roscadora 1224, consulte el catálogo RIDGID en línea en RIDGID.com, o desde Canadá o Estados Unidos llame por teléfono al Departamento de Servicio Técnico de Ridge Tool al (800) 519-3456.

Información sobre el aceite de corte

Lea y respete todas las instrucciones en la etiqueta del aceite de corte y en la Hoja de Datos de Seguridad (SDS). Sobre el recipiente y en la hoja SDS aparece información específica acerca de los aceites de corte de RIDGID, que incluye información sobre peligros, primeros auxilios, combate de incendios, medidas para limpiar derrames del material, manipulación y almacenamiento, equipo de

protección personal, eliminación y transporte. La hoja SDS está disponible en RIDGID.com o puede solicitarla a través del Departamento de Servicio Técnico de Ridge Tool desde EE. UU. y Canadá al (800) 519-3456, o en rttechservices@emerson.com.

Almacenamiento de la máquina

⚠️ ADVERTENCIA La roscadora debe guardarse bajo techo o bien cubierta si está a la intemperie para protegerla de la lluvia. Almacene la roscadora en un lugar bajo llave, fuera del alcance de los niños y personas que no están familiarizadas con las máquinas roscadoras. Esta máquina puede causar graves lesiones en manos de usuarios no capacitados.

Servicio y reparaciones

⚠️ ADVERTENCIA

La máquina se torna insegura cuando el servicio o la reparación se hacen en forma indebida.

Las *Instrucciones de mantenimiento* abarcan la mayoría de los servicios que necesita esta máquina. Cualquier problema que no haya sido tratado en esta sección debe ser resuelto únicamente por un técnico autorizado de RIDGID.

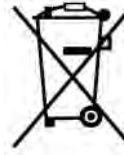
La máquina debe llevarse a un Servicentro Autorizado Independiente de RIDGID o devuelta a la fábrica. Use solamente repuestos RIDGID.

Si necesita información sobre su Servicentro Autorizado Independiente de RIDGID más cercano o si tiene preguntas sobre el servicio o reparación:

- Comuníquese con el distribuidor RIDGID en su localidad.
- Visite RIDGID.com o RIDGID.eu para averiguar dónde se encuentran los centros autorizados de RIDGID más cercanos.
- Comuníquese con el Departamento de Servicio Técnico de Ridge Tool en rttechservices@emerson.com, o llame por teléfono desde EE. UU. o Canadá al (800) 519-3456.

Eliminación de la máquina

Las piezas de la roscadora contienen materiales valiosos y se pueden reciclar. Hay compañías locales que se especializan en el reciclaje. Deseche los componentes y el aceite de desecho de acuerdo con todos los reglamentos correspondientes. Para más información sobre la eliminación de desechos, comuníquese con la agencia local de eliminación de residuos.



Para los países de la Comunidad Europea:
¡No deseche aparatos eléctricos en la basura común!

De acuerdo con el Lineamiento Europeo 2012-/19/EC para Desechos de Equipos Eléctricos y Electrónicos y su implementación en la legislación nacional, los aparatos eléctricos inservibles deben desecharse por separado en una forma que cumpla con las normas del medio ambiente.

Resolución de problemas

PROBLEMA	POSIBLE RAZÓN	SOLUCIÓN
Roscas rotas.	<p>Terrajas dañadas, desportilladas o desgastadas.</p> <p>Aceite de corte incorrecto.</p> <p>Aceite de corte insuficiente.</p> <p>Aceite sucio o contaminado.</p> <p>El cabezal de terrajas no está bien alineado con el tubo.</p> <p>Tubo incorrecto.</p> <p>El cabezal de terrajas está mal configurado.</p> <p>El carro no se desliza fácilmente sobre los rieles.</p>	<p>Reemplace las terrajas.</p> <p>Use solamente aceite de corte RIDGID®.</p> <p>Llene del depósito de aceite.</p> <p>Reemplace el aceite de corte RIDGID®.</p> <p>Quite las virutas, suciedad y otros materiales extraños del espacio entre el cabezal de terrajas y el carro.</p> <p>Se recomienda el empleo de tubos de acero negro o galvanizado.</p> <p>Pared del tubo muy delgada; emplee tubos de Serie 40 o más gruesos.</p> <p>Ajuste el cabezal de terrajas para que labre el tamaño de rosca correcto.</p> <p>Limpie y lubrique los rieles del carro.</p>
Roscas ovaladas o aplastadas.	<p>Cabezal de terrajas subdimensionado.</p> <p>Pared del tubo demasiado delgada.</p>	<p>Ajuste el cabezal de terrajas para que labre el tamaño de rosca correcto.</p> <p>Emplee tubos de Serie 40 o más gruesos.</p>
Roscas delgadas.	<p>Terrajas colocadas en el cabezal en orden equivocado.</p> <p>La manilla de alimentación del carro se ha forzado durante el roscado.</p> <p>Los tornillos de la placa que tapa el cabezal de terrajas están flojos.</p>	<p>Coloque las terrajas en la posición correcta en el cabezal.</p> <p>Una vez que las terrajas inicien el roscado, no fuerce la manilla de alimentación del carro. Permita que el carro funcione automáticamente.</p> <p>Apriete los tornillos.</p>
No fluye el aceite de corte.	<p>El aceite de corte es insuficiente o se ha acabado.</p> <p>El filtro de malla está tapado.</p> <p>El cabezal de terrajas no está en la posición de roscado (DOWN).</p>	<p>Llene el depósito de aceite.</p> <p>Limpie el filtro de malla.</p> <p>Mueva el cabezal de terrajas a la posición de roscado.</p>
El motor anda pero la máquina no funciona.	<p>La correa trapezoidal está floja.</p> <p>La correa trapezoidal está desgastada.</p>	<p>Apriete la correa trapezoidal.</p> <p>Cambie la correa trapezoidal.</p>
El tubo se resbala en la mordaza.	<p>Las piezas de inserción de la mordaza están cargadas de residuos.</p> <p>Las piezas de inserción de la mordaza están desgastadas.</p> <p>El tubo no está centrado en la mordaza.</p> <p>El mandril no aprieta el tubo.</p>	<p>Limpie las piezas de inserción de la mordaza con una escobilla de alambre.</p> <p>Cambie las piezas de inserción de la mordaza.</p> <p>Centre el tubo en la mordaza y use el dispositivo de centrado trasero.</p> <p>Gire el volante repetidamente con fuerza hacia la izquierda, para apretar el tubo en el mandril.</p>

What is covered

RIDGID® tools are warranted to be free of defects in workmanship and material.

How long coverage lasts

This warranty lasts for the lifetime of the RIDGID® tool. Warranty coverage ends when the product becomes unusable for reasons other than defects in workmanship or material.

How you can get service

To obtain the benefit of this warranty, deliver via prepaid transportation the complete product to RIDGE TOOL COMPANY, Elyria, Ohio, or any authorized RIDGID® INDEPENDENT SERVICE CENTER. Pipe wrenches and other hand tools should be returned to the place of purchase.

What we will do to correct problems

Warranted products will be repaired or replaced, at RIDGE TOOL'S option, and returned at no charge; or, if after three attempts to repair or replace during the warranty period the product is still defective, you can elect to receive a full refund of your purchase price.

What is not covered

Failures due to misuse, abuse or normal wear and tear are not covered by this warranty. RIDGE TOOL shall not be responsible for any incidental or consequential damages.

How local law relates to the warranty

Some states do not allow the exclusion or limitation of incidental or consequential damages, so the above limitation or exclusion may not apply to you. This warranty gives you specific rights, and you may also have other rights, which vary, from state to state, province to province, or country to country.

No other express warranty applies

This FULL LIFETIME WARRANTY is the sole and exclusive warranty for RIDGID® products. No employee, agent, dealer, or other person is authorized to alter this warranty or make any other warranty on behalf of the RIDGE TOOL COMPANY.



FULL LIFETIME WARRANTY (garantie légale étendue à la durée de vie du produit, voir conditions de garantie / legal warranty extended to the product lifecycle, see warranty conditions)

Parts are available online at RIDGIDParts.com



Ridge Tool Company

400 Clark Street
Elyria, Ohio 44035-6001
U.S.A.

Ce qui est couvert

Les outils RIDGID® sont garantis contre tous vices de matériaux et de main d'oeuvre.

Durée de couverture

Cette garantie est applicable durant la vie entière de l'outil RIDGID®. La couverture cesse dès lors que le produit devient inutilisable pour raisons autres que des vices de matériaux ou de main d'oeuvre.

Pour invoquer la garantie

Pour toutes réparations au titre de la garantie, il convient d'expédier le produit complet en port payé à la RIDGE TOOL COMPANY, Elyria, Ohio, ou bien le remettre à un réparateur RIDGID® agréé. Les clés à pipe et autres outils à main doivent être ramenés au lieu d'achat.

Ce que nous ferons pour résoudre le problème

Les produits sous garantie seront à la discrétion de RIDGE TOOL, soit réparés ou remplacés, puis réexpédiés gratuitement ; ou si, après trois tentatives de réparation ou de remplacement durant la période de validité de la garantie le produit s'avère toujours défectueux, vous aurez l'option de demander le remboursement intégral de son prix d'achat.

Ce qui n'est pas couvert

Les défaillances dues au mauvais emploi, à l'abus ou à l'usure normale ne sont pas couvertes par cette garantie. RIDGE TOOL ne sera tenue responsable d'aucuns dommages directs ou indirects.

L'influence de la législation locale sur la garantie

Puisque certaines législations locales interdisent l'exclusion des dommages directs ou indirects, il se peut que la limitation ou exclusion ci-dessus ne vous soit pas applicable. Cette garantie vous donne des droits spécifiques qui peuvent être éventuellement complétés par d'autres droits prévus par votre législation locale.

Il n'existe aucune autre garantie expresse

Cette GARANTIE PERPETUELLE INTEGRALE est la seule et unique garantie couvrant les produits RIDGID®. Aucun employé, agent, distributeur ou tiers n'est autorisé à modifier cette garantie ou à offrir une garantie supplémentaire au nom de la RIDGE TOOL COMPANY.

Qué cubre

Las herramientas RIDGID® están garantizadas contra defectos de la mano de obra y de los materiales empleados en su fabricación.

Duración de la cobertura

Esta garantía cubre a la herramienta RIDGID® durante toda su vida útil. La cobertura de la garantía caduca cuando el producto se torna inservible por razones distintas a las de defectos en la mano de obra o en los materiales.

Cómo obtener servicio

Para obtener los beneficios de esta garantía, envíe mediante porte pagado, la totalidad del producto a RIDGE TOOL COMPANY, en Elyria, Ohio, o a cualquier Servicentro Independiente RIDGID®. Las llaves para tubos y demás herramientas de mano deben devolverse a la tienda donde se adquirieron.

Lo que hacemos para corregir el problema

El producto bajo garantía será reparado o reemplazado por otro, a discreción de RIDGE TOOL, y devuelto sin costo; o, si aún resulta defectuoso después de haber sido reparado o sustituido tres veces durante el período de su garantía, Ud. puede optar por recibir un reembolso por el valor total de su compra.

Lo que no está cubierto

Esta garantía no cubre fallas debido al mal uso, abuso o desgaste normal. RIDGE TOOL no se hace responsable de daño incidental o consiguiente alguno.

Relación entre la garantía y las leyes locales

Algunos estados de los EE.UU. no permiten la exclusión o restricción referente a daños incidentales o consiguientes. Por lo tanto, puede que la limitación o restricción mencionada anteriormente no rija para Ud. Esta garantía le otorga derechos específicos, y puede que, además, Ud tenga otros derechos, los cuales varían de estado a estado, provincia a provincia o país a país.

No rige ninguna otra garantía expresa

Esta GARANTIA VITALICIA es la única y exclusiva garantía para los productos RIDGID®. Ningún empleado, agente, distribuidor u otra persona está autorizado para modificar esta garantía u ofrecer cualquier otra garantía en nombre de RIDGE TOOL COMPANY.

©2005, 2016, RIDGID, Inc.

Printed 2/16
EC42025

The Emerson logo and RIDGID logo are registered trademarks of Emerson Electric Co. or RIDGID, Inc. in the U.S. and other countries.
All other trademarks belong to their respective holders.

940-713-030.10
REV. F

We
Build
Reputations™

RIDGID®

EMERSON
Commercial & Residential Solutions