

Peerless Industrial Group

1416 East Sanborn St.,
Winona MN 55987

Phone: (800) 873-1916 • **Fax:** (800) 356-1149

Email: custserv@peerlesschain.com

Website: www.peerlesschain.com

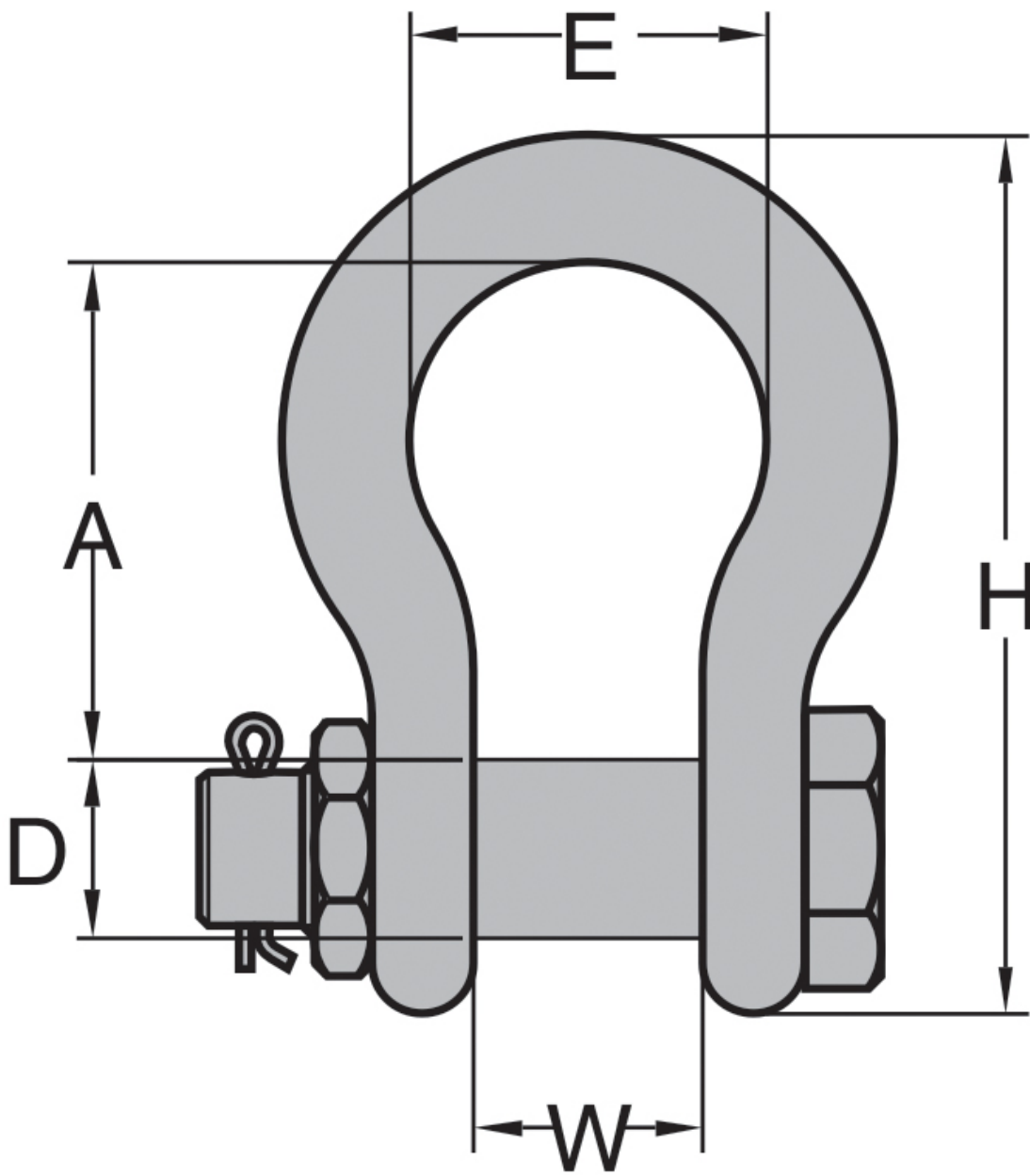


PEERLESS[®]
INDUSTRIAL GROUP

Item # 8063605, Peer-Lift Bolt, Nut & Cotter Anchor Shackles - Alloy Pin, Carbon Body



8063605



Trade Size (Inches)

5/8

Pin Dia. (D)

3/4

Dim A

2.375

Dim B

0.59

Dim E

1.50

Dim G

1.875

Dim W

1.062

Quantity Per Pkg.

25

Lbs. Per Ea.

1.68

Working Load Limit (Tons)

3-1/4