

Commercial Air Circulators

Pedestal & Wall/Vertical Mounts

Non-Oscillating 1/4 HP 115V



Features/Specifications:

- 2 Year Warranty
- Wall/Vertical Mount models include Safety Cable
- 15' Supply Cord and three prong plug included
- Totally enclosed air over ball bearing motor
- Pedestal Models adjust 43"- 63"; 26" Base diameter
- 3 Speed

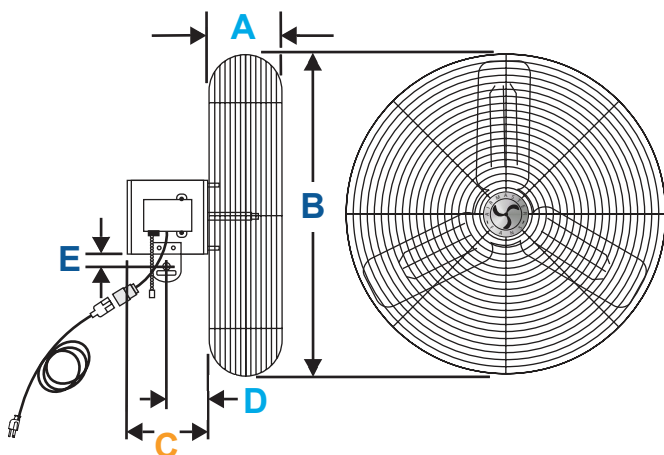
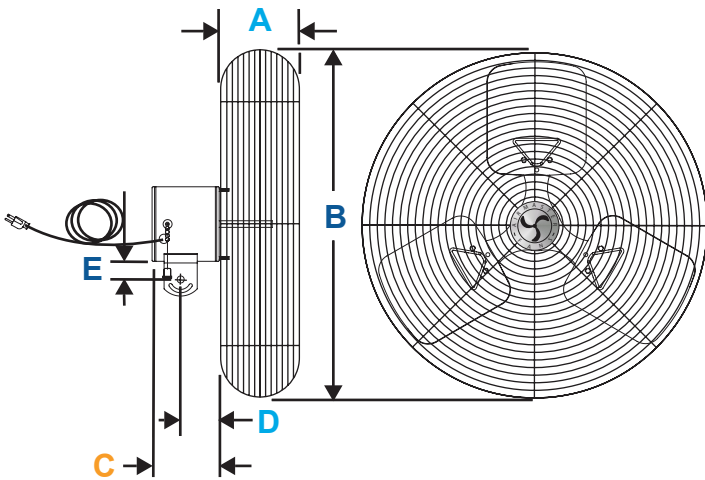
Materials:

- Galvanized steel propeller

Performance:

Prop Dia.	CFM			RPM			F.L. Amps
	High	Med.	Low	High	Med.	Low	
18"	2520		1850	1480		1020	2.6
20"	2670		2035	1615		1240	2.6
24"	4400	3460	2460	1100	800	600	3.5
30"	6100	4400	2700	1100	800	600	3.5

Fan Component:



Non-Oscillating Vertical Mount



Non-Oscillating Wall Mount

Adjustable Floor Model Solid Base

18" & 20" Fans

Model	18" & 20" Fan		C	D	E
	A	B			
I-1820TEM 2SP Motor	5.75	22.5	4.75	2.63	2.58

24" & 30" Fans

Model	24" Fan		30" Fan		C	D	E
	A	B	A	B			
C-1A 3SP Motor	6-1/4	26.9	5.25	33.39	5.12	2.95	1.58



Information:

Unit Packs 115V / 60 Hz / 1 Phase

EDP #	Catalog No.	Prop Dia.	Fan Style	Ship Wt.
71584	CA24APE	24"	Adjustable Floor (S.B.)	82
71572	CA24WC	24"	Wall/Vertical Mount	42
71586	CA30APE	30"	Adjustable Floor (S.B.)	87
71573	CA30WC	30"	Wall/Vertical Mount	49

Unit Pack - Motor specified Style Mounting, Propeller & Guard shipped in a single carton

For 18" and 20" Floor/Counter Model Fans - select Assembled Head; Pedestal - 73103; and Base - 21153

Head Assemblies 115V / 60Hz / 1 Phase

EDP #	Catalog No.	Prop Dia.	Fan Style	HP	Ship Wt.
71590	CA24	24"	Head Assembly	1/4	39
71591	CA30	30"	Head Assembly	1/4	48

Motor, Guard, and Propeller pre-assembled



Non-Oscillating Head Assembly

A safety cable kit is included in all overhead mounted air circulators to prevent the fan from falling if accidentally struck or mounting fails. Single safety cable kits consist of 12 feet of 1/16" diameter cable, 2 cable clamps, and instructions.

For Mounting Options and Other Components see Commercial Air Circulators - Component Parts submittal sheet.

Ordering:

Fan No.	EDP #	Qty.	Catalog No.	CFM	RPM	Comments

Project		Location	
Engineer		Contractor	

Submitted by		Date		Approved by		Date	
--------------	--	------	--	-------------	--	------	--