

JACKSON SAFETY* W10 HSL100 Passive Welding Helmet

Product Information

| New Code | Old Code | | Standard Pack |
|----------|----------|--|---------------|
| 14975 | 3002498 | HSL 100 Passive Welding Helmet, Black | 4/case |
| 15134 | 3002581 | HSL 100 Passive Welding Helmet, Black | 10/case |
| 14976 | 3002499 | HSL 100 Passive Welding Helmet, Blue | 4/case |
| 14977 | 3002500 | HSL 100 Passive Welding Helmet, Red | 4/case |
| 14978 | 3002502 | HSL 100 Passive Welding Helmet, Black with 187 Blades | 4/case |
| 14973 | 3002491 | HSL 100 Passive Welding Helmet, Black with 386 Cap Adapter | 4/case |
| 16635 | 3004629 | HSL 100 Passive Welding Helmet HELLRAISER* | 4/case |
| 16642 | 3004736 | Replacement Light Leak Gasket | 1 |
| 16078 | 3002760 | Replacement Safety Plate | 25 |
| 20696 | 3014866 | 370 Replacement Headgear | 6 |
| 24550 | 3024209 | HSL 100 Parts Kit | 1 |
| 15974 | 3002647 | Magnifier (Cheater Lens) Adapter | 1 |



| Properties | Description |
|---------------------|--|
| Viewing Field | 4.5" x 5.25" |
| Shell Material | Polycarbonate/ABS Blend |
| Warranty | 1 year |
| Standards | ANSI Z87.1, CSA Compliant and CE Marked |
| Hard Hat Acceptable | Yes |
| Mag Lens Acceptable | Yes (with Magnifier Adapter 15974) |
| ADF Adaptable | Yes (with Pro-10, Pro-V, Master 2-N-1, Executive 3-N-1, BOSS* with Adapter & NexGen* with Adapter) |

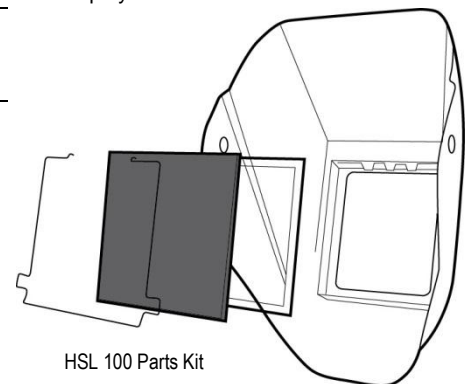


HELLRAISER*

| Characteristic | Value |
|--|---|
| Narrow shell design | Ideal for work in tight spaces |
| Extended Front | Increases throat protection against sparks, slag and other physical hazards |
| Replacement Part Kit availability | Elongates life of the helmet |
| Every helmet come pre-assembled with a clear safety plate, shade 10 replacement parts, filter plate and headgear | Unit ships complete, ready to wear |

W10 SERIES Passive Welding Helmets:

Passive Welding Helmets are perfectly suited and priced for the cost conscious welder. They offer a clear, unobstructed view of the weld puddle and come equipped with a shade 10 polycarbonate filter.



HSL 100 Parts Kit