



MX810dfe

Lexmark MX810 Series

High-performance monochrome printing meets rapid colour scanning and smart MFP features in a multifunction product (MFP) that's available with a choice of finishers and input trays in a freestanding on-floor configuration.

Workgroup-ready

Fast printing and imaging: The Lexmark MX810 Series features workgroup-ready print speeds of up to 66 pages per minute and duplex colour scanning at a classleading* speed of up to 132 images per minute.⁴

The right hardware: Blaze through complex jobs with an 800MHz dual-core processor, memory that expands up to 3 GB and Gigabit Ethernet. Your first page emerges in as little as four seconds.

Turn up the volume: Recommended monthly print volume of up to 100,000 pages³ handles the pressure of demanding environments. And thanks to input capacity of up to 2,750 sheets and an optional high yield toner cartridge, you'll spend more time printing and less time adding paper and changing cartridges.



Up to 66 ppm



25 cm (10-inch)
class touch screen



Finishing function



Security



Finish with quality: The MX810 series addresses high-volume network printing demands with a variety of finishing configurations that may include (depending on model) one of the following: dual-position job offset stacker, single-position stapler for up to 50 sheets per set, combination staple/hole punch finisher or 4-bin mailbox. It can even let you know when its staple supply is low or its output bin is full.

Inteligente y conectado

Shortcuts and solutions: Touch the series' 25 cm (10-inch) colour touch screen and access shortcuts to scan, print, copy or send faxes, emails and other documents. Preloaded business solutions simplify your work processes and increase productivity, while optional apps help you take on special challenges.

Systematic efficiency: The MX810 Series is part of the Lexmark smart MFP ecosystem, which transforms MFPs from isolated islands to active, networked participants in enhanced workflow and improved productivity. Together with your existing IT infrastructure and applications (or Lexmark enterprise software), the Lexmark smart MFP ecosystem bridges paper and digital - unstructured and structured information - with devices and connections that drive your business forward.

Maximum manageability: The series works with Lexmark device and fleet management, giving your organisation centralised ability to discover devices, track assets, monitor and correct issues, as well as securely configure and manage devices like the MX810 Series from anywhere.

*Class comparison based on large workgroup mono A4 multifunction printers priced at \$2,000 or more as of January 2015



Mobile printing: Print from desktop systems as well as mobile devices with standard Lexmark Mobile OS support⁶ and optional Lexmark Print Management.

Integrated extras

Multifeed detection: Automatic document feeders can miss something important if two sheets of paper stick together during scanning. The Lexmark MX810 Series' multifeed sensor transmits high-frequency sound waves through paper during automated scanning to make sure every page gets scanned. If two pages stick together and feed as one, you'll be notified so you can restart, disable further detection or cancel the scan job.

Front USB port: Print without a PC through a convenient USB port. Just choose a file, preview, and print PDFs and many other file formats.

Diverse media support: With built-in two-sided printing and the ability to print on diverse materials, you can tackle a wider variety of tasks and use less paper.

Innovative toner: Get greater system performance with Lexmark's Unison™ Toner, which delivers consistent image quality from the first print to the last.

Flexible configuration: Configure the MX810 Series with one of four available finishing units and a variety of input trays, all on a caster base that supports multiple configurations.

Security plus

More secure remote management:

Restrict device management to authorised personnel.

More secure network interfaces:

Embedded features harden Lexmark MFPs against unauthorised access.

More secure access: Confirm user identity and enforce predefined user access controls.

More secure data: Protect data at rest with encrypted hard disks, memory and hard disk wiping, and removable hard drives.

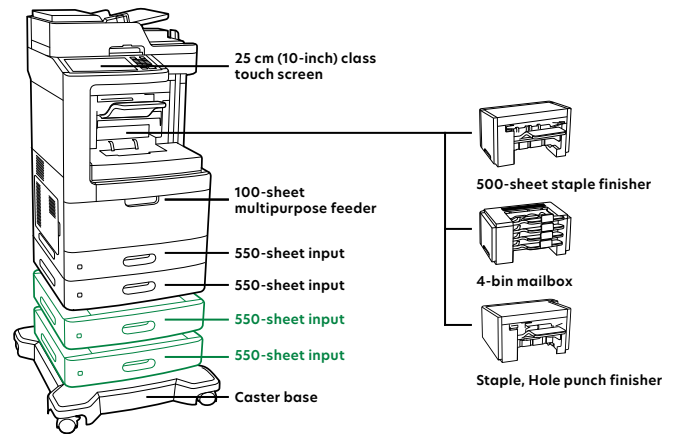
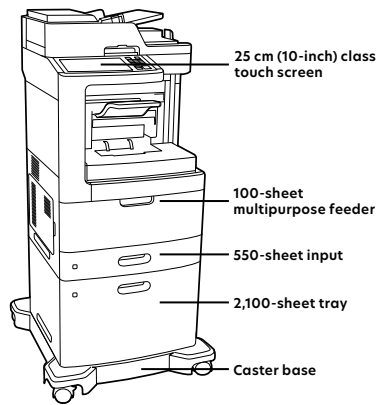
Solutions: Enhance the security of your environment with optional solutions like Print Release, Automatic Certificate Enrollment (ACE), Secure Held Print Jobs, Smart Card Authentication and Secure Content Monitor.

Security standard compliance: Device benefits from Lexmark's proven security expertise through stringent government security certifications.

MX810 Series printer features

Standard
 Optional

The line art features the standard set-up that can be different per model.



Product specifications	Lexmark MX810dfe	Lexmark MX811dfe	Lexmark MX812dfe
Printing	Lexmark e-Task 25 cm (10-inch) class colour touch screen		
Display	Lexmark e-Task 25 cm (10-inch) class colour touch screen		
Print Speed: Up to ⁶	Black: 52 ppm	Black: 60 ppm	Black: 66 ppm
Time to First Page: As fast as	Black: 4.8 seconds	Black: 4.4 seconds	Black: 4.0 seconds
Print Resolution	Black: 1200 Image Quality, 1200 x 1200 dpi, 2400 Image Quality, 600 x 600 dpi		
Memory / Processor	standard: 1024 MB / maximum: 3072 MB / Dual Core, 800 MHz	standard: 1024 MB / maximum: 3072 MB / Dual Core, 0.8 MHz	
Hard Disk	Included in configuration		
Recommended Monthly Page Volume ²	5,000 - 50,000 Pages	5,000 - 75,000 Pages	5,000 - 100,000 Pages
Maximum Monthly Duty Cycle: Up to ³	300,000 pages per month		350,000 pages per month
Copying			
Copy Speed: Up to ⁶	Black: 52 cpm	Black: 60 cpm	Black: 66 cpm
Time to First Copy: As fast as	black: 4.5 seconds	black: 4.2 seconds	black: 4 seconds
Scanning	Flatbed scanner with ADF / DADF (single pass Duplex)		
Scanner Type / ADF Scan	Flatbed scanner with ADF / DADF (single pass Duplex)		
A4/Ltr Duplex Scan Speed: Up to	Mono: 132 / 140 sides per minute / Colour: 132 / 140 sides per minute		
A4/Ltr Simplex Scan Speed: Up to	Mono: 66 / 70 sides per minute / Colour: 66 / 70 sides per minute		
ADF Paper Input Capacity: Up to	150 pages 75 gsm bond		
Faxing			
Modem Speed	ITU T.30, V.34 Half-Duplex, 33.6 Kbps		
Supplies⁷			
Laser Cartridge Yields (up to) ¹	6,000-page Cartridge, 25,000-page High Yield Cartridge, 45,000-page Extra High Yield Cartridge		
Imaging Unit Estimated Yield: Up to	100,000 pages, based on 3 average letter/A4-size pages per print job and ~ 5% coverage		
Cartridge(s) Shipping with Product ¹	25,000-page High Yield Return Programme Toner Cartridge		
Paper Handling			
Included Paper Handling	550-Sheet Input, 100-Sheet Multipurpose Feeder, 550-Sheet Output Bin, Staple Finisher, Integrated Duplex, 550-Sheet Tray		
Optional Paper Handling	550-Sheet Tray		
Paper Input Capacity: Up to	Standard: 1,200 pages 75 gsm bond / Maximum: 2,300 pages 75 gsm bond		
Paper Output Capacity: Up to	Standard: 1,050 pages 75 gsm bond / Maximum: 1,050 pages 75 gsm bond		
Media Types Supported	Card Stock, Dual Web Labels, Envelopes, Integrated Labels, Paper Labels, Plain Paper, Transparencies, Refer to the Card Stock & Label Guide.		
Media Sizes Supported	10 Envelope, 7 3/4 Envelope, 9 Envelope, A4, A5, B5 Envelope, C5 Envelope, DL Envelope, Executive, Folio, JIS-B5, Legal, Letter, Statement, Universal, Oficio, A6		
General Information⁴			
Standard Ports	One Internal Card Slot, USB 2.0 Specification Hi-Speed Certified (Type B), Gigabit Ethernet (10/100/1000), Front USB 2.0 Specification Hi-Speed Certified port (Type A), Two Rear USB 2.0 Specification Hi-Speed Certified ports (Type A)		
Optional Network Ports / Optional Local Ports	Internal MarkNet N8350 802.11b/g/n Wireless / Internal RS-232C serial, Internal 1284-B Bidirectional Parallel		
Noise Level: Operating	Print: 55 dBA / Copy: 55 dBA / Scan: 57 dBA	Print: 55 dBA / Copy: 56 dBA / Scan: 57 dBA	Print: 56 dBA / Copy: 56 dBA / Scan: 57 dBA
Specified Operating Environment	Temperature: 16 to 32°C (60 to 90°F), Humidity: 8 to 80% Relative Humidity, Altitude: 0 - 2,896 Metres (9,500 Feet)		
Product Guarantee	1-Year Onsite Service		
Size (mm - H x W x D) / Weight	1133 x 663 x 734 mm / 87.6 kg		

¹Average standard page yield value declared in accordance with ISO/IEC 19752. ²"Recommended Monthly Page Volume" is a range of pages that helps customers evaluate Lexmark's product offerings based on the average number of pages customers plan to print on the device each month. Lexmark recommends that the number of pages per month be within the stated range for optimum device performance, based on factors including: supplies replacement intervals, paper loading intervals, speed, and typical customer usage. ³"Maximum Monthly Duty Cycle" is defined as the maximum number of pages a device could deliver in a month using a multishift operation. This metric provides a comparison of robustness in relation to other Lexmark printers and MFPs. ⁴Printers are sold subject to certain license/agreement conditions. See www.lexmark.com/printerlicense for details. ⁵Actual Yield may vary based on other factors such as device speed, paper size and feed orientation, toner coverage, tray source, percentage of black-only printing and average print job complexity. ⁶Print and copy speeds measured in accordance with ISO/IEC 24734 and ISO/IEC 24735 respectively (ESAT). For more information see: www.lexmark.com/ISOspeeds. ⁷Product functions only with replacement cartridges designed for use in a specific geographical region. See www.lexmark.com/regions for more details.

This is a Class A device according to the FCC Rules and EN 55022/EN 55032 emissions standards. This device is not intended for use in residential or domestic environments due to potential interference to radio communications.

Características de los MFP de la serie MX810

Product specifications	Lexmark MX810dxfe	Lexmark MX811dxfe	Lexmark MX812dxfe
Printing			
Display	Lexmark e-Task 25 cm (10-inch) class colour touch screen		
Print Speed: Up to ⁶	Black: 52 ppm	Black: 60 ppm	Black: 66 ppm
Time to First Page: As fast as	Black: 4.8 seconds	Black: 4.4 seconds	Black: 4.0 seconds
Print Resolution	Black: 1200 Image Quality, 1200 x 1200 dpi, 2400 Image Quality, 600 x 600 dpi		
Memory / Processor	standard: 1024 MB / maximum: 3072 MB / Dual Core, 800 MHz		standard: 1024 MB / maximum: 3072 MB / Dual Core, 0.8 MHz
Hard Disk	Included in configuration		
Recommended Monthly Page Volume ²	5,000 - 50,000 Pages	5,000 - 75,000 Pages	5,000 - 100,000 Pages
Maximum Monthly Duty Cycle: Up to ³	300,000 pages per month		350,000 pages per month
Copying			
Copy Speed: Up to ⁶	Black: 52 cpm	Black: 60 cpm	Black: 66 cpm
Time to First Copy: As fast as	black: 4.5 seconds	black: 4.2 seconds	black: 4 seconds
Scanning			
Scanner Type / ADF Scan	Flatbed scanner with ADF / DADF (single pass Duplex)		
A4/Ltr Duplex Scan Speed: Up to	Mono: 132 / 140 sides per minute / Colour: 132 / 140 sides per minute		
A4/Ltr Simplex Scan Speed: Up to	Mono: 66 / 70 sides per minute / Colour: 66 / 70 sides per minute		
ADF Paper Input Capacity: Up to	150 pages 75 gsm bond		
Faxing			
Modem Speed	ITU T.30, V.34 Half-Duplex, 33.6 Kbps		
Supplies⁷			
Laser Cartridge Yields (up to) ¹	6,000-page Cartridge, 25,000-page High Yield Cartridge, 45,000-page Extra High Yield Cartridge		
Imaging Unit Estimated Yield: Up to	100,000 pages, based on 3 average letter/A4-size pages per print job and ~ 5% coverage		
Cartridge(s) Shipping with Product ¹	25,000-page High Yield Return Programme Toner Cartridge		
Paper Handling			
Included Paper Handling	550-Sheet Input, 100-Sheet Multipurpose Feeder, 550-Sheet Output Bin, Staple Finisher, Integrated Duplex, 2,100-Sheet Tray		
Paper Input Capacity: Up to	Standard: 2,750 pages 75 gsm bond / Maximum: 2,750 pages 75 gsm bond		
Paper Output Capacity: Up to	Standard: 1,050 pages 75 gsm bond / Maximum: 1,050 pages 75 gsm bond		
Media Types Supported	Card Stock, Dual Web Labels, Envelopes, Integrated Labels, Paper Labels, Plain Paper, Transparencies, Refer to the Card Stock & Label Guide.		
Media Sizes Supported	10 Envelope, 7 3/4 Envelope, 9 Envelope, A4, A5, B5 Envelope, C5 Envelope, DL Envelope, Executive, Folio, JIS-B5, Legal, Letter, Statement, Universal, Oficio, A6		
General Information⁴			
Standard Ports	One Internal Card Slot, USB 2.0 Specification Hi-Speed Certified (Type B), Gigabit Ethernet (10/100/1000), Front USB 2.0 Specification Hi-Speed Certified port (Type A), Two Rear USB 2.0 Specification Hi-Speed Certified ports (Type A)		
Optional Network Ports / Optional Local Ports	Internal MarkNet N8350 802.11b/g/n Wireless / Internal RS-232C serial, Internal 1284-B Bidirectional Parallel		
Noise Level: Operating	Print: 55 dBA / Copy: 55 dBA / Scan: 57 dBA	Print: 55 dBA / Copy: 56 dBA / Scan: 57 dBA	Print: 56 dBA / Copy: 56 dBA / Scan: 57 dBA
Specified Operating Environment	Temperature: 16 to 32°C (60 to 90°F), Humidity: 8 to 80% Relative Humidity, Altitude: 0 - 2,896 Metres (9,500 Feet)		
Product Guarantee	1-Year Onsite Service		
Size (mm - H x W x D) / Weight	1374 x 663 x 734 mm / 100.0 kg		

¹Average standard page yield value declared in accordance with ISO/IEC 19752. ²"Recommended Monthly Page Volume" is a range of pages that helps customers evaluate Lexmark's product offerings based on the average number of pages customers plan to print on the device each month. Lexmark recommends that the number of pages per month be within the stated range for optimum device performance, based on factors including: supplies replacement intervals, paper loading intervals, speed, and typical customer usage. ³"Maximum Monthly Duty Cycle" is defined as the maximum number of pages a device could deliver in a month using a multishift operation. This metric provides a comparison of robustness in relation to other Lexmark printers and MFPs. ⁴Printers are sold subject to certain license/agreement conditions. See www.lexmark.com/printerlicense for details. ⁵Actual Yield may vary based on other factors such as device speed, paper size and feed orientation, toner coverage, tray source, percentage of black-only printing and average print job complexity. ⁶Print and copy speeds measured in accordance with ISO/IEC 24734 and ISO/IEC 24735 respectively (ESAT). For more information see: www.lexmark.com/ISOspeeds. ⁷Product functions only with replacement cartridges designed for use in a specific geographical region. See www.lexmark.com/regions for more details.

This is a Class A device according to the FCC Rules and EN 55022/EN 55032 emissions standards. This device is not intended for use in residential or domestic environments due to potential interference to radio communications.

© 2016 Lexmark and the Lexmark logo are trademarks of Lexmark International, Inc., registered in the United States and/or other countries. All other trademarks are the property of their respective owners. ENERGY STAR® is a U.S. registered mark.

AirPrint and the AirPrint logo are trademarks of Apple Inc.