

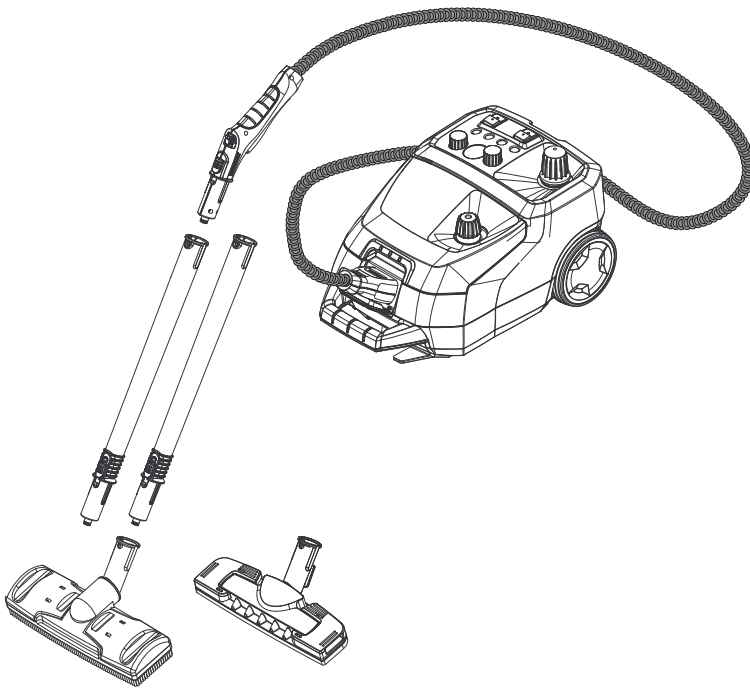
KÄRCHER

makes a difference

SG 4/4

English

4

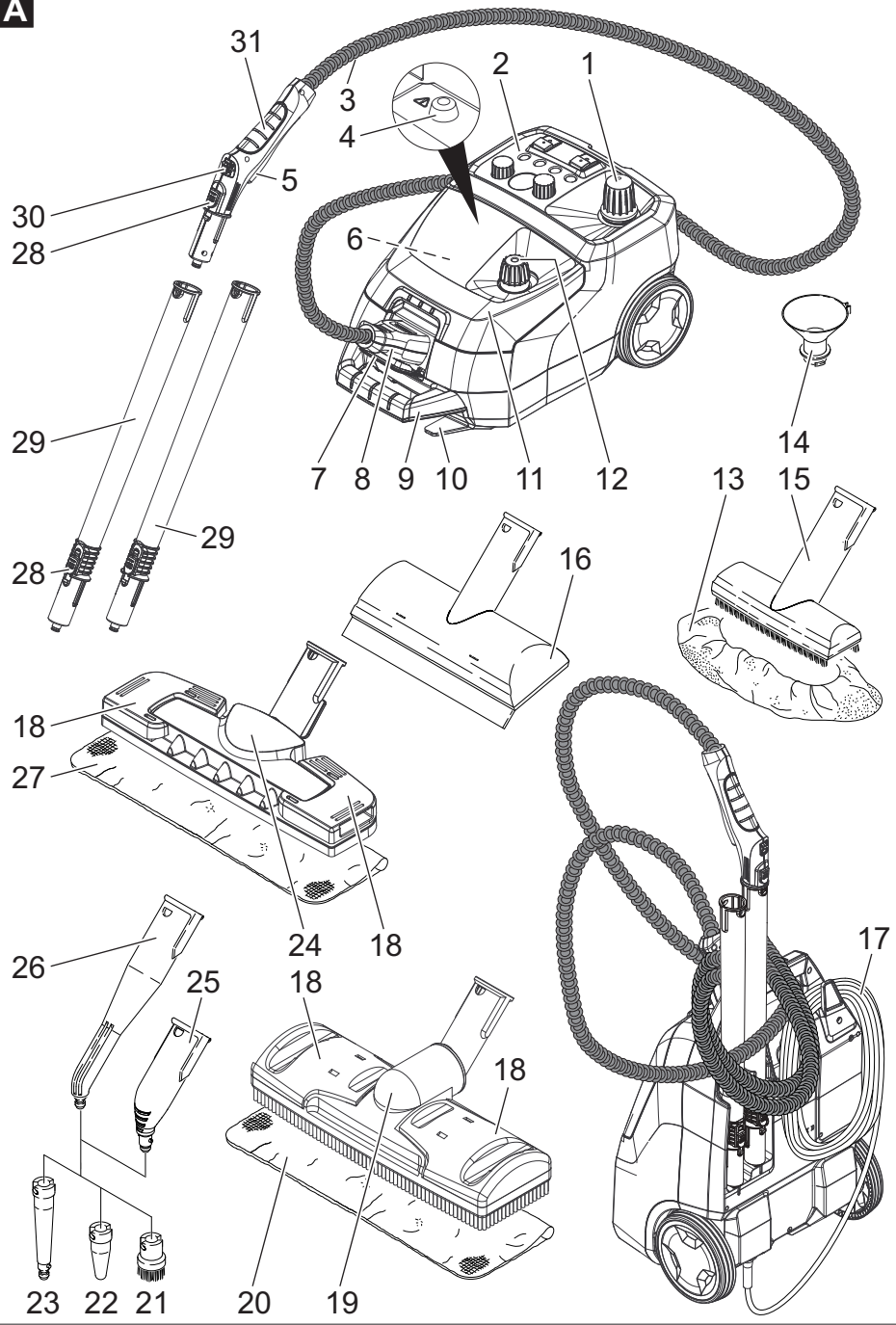


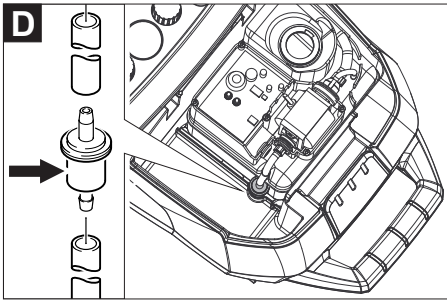
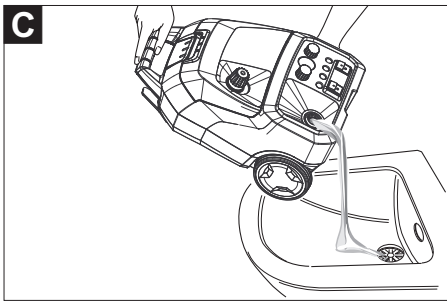
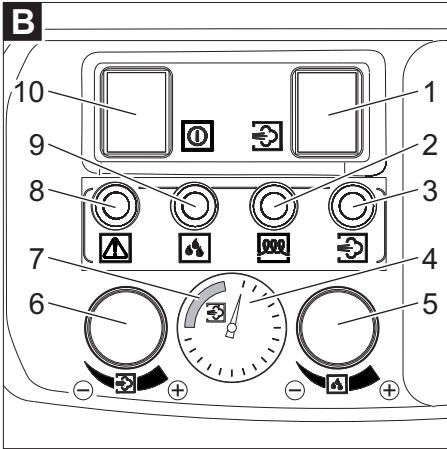
Register and win!
www.kärcher.com/register-and-win



59675300 12/16

A







Please read and comply with these original instructions prior to the initial operation of your appliance and store them for later use or subsequent owners.

- Before first start-up it is definitely necessary to read the safety indications Nr. 5.956-345.0!
- The non-compliance of the operating and safety instructions may lead to damages of the appliance and to dangers for the operator and other persons.
- In case of transport damage inform vendor immediately.

Contents

Environmental protection	EN	1
Danger or hazard levels	EN	1
Proper use	EN	1
Symbols on the machine. . . .	EN	2
Overview	EN	2
Safety Devices	EN	2
Cleaning methods	EN	3
Start up	EN	3
Operation	EN	3
How to use the accessories . .	EN	5
Transport.	EN	6
Storage	EN	6
Care and maintenance	EN	6
Troubleshooting	EN	7
Warranty	EN	7
Accessories and Spare Parts .	EN	7
EU Declaration of Conformity .	EN	8
Technical specifications	EN	9

Environmental protection



The packaging material can be recycled. Please do not throw the packaging material into household waste; please send it for recycling.



Old appliances contain valuable materials that can be recycled; these should be sent for recycling. Batteries, oil, and similar substances must not enter the environment. Please dispose of your old appliances using appropriate collection systems.

Notes about the ingredients (REACH)

You will find current information about the ingredients at:

www.kaercher.com/REACH

Danger or hazard levels

△ DANGER

Pointer to immediate danger, which leads to severe injuries or death.

△ WARNING

Pointer to a possibly dangerous situation, which can lead to severe injuries or death.

△ CAUTION

Pointer to a possibly dangerous situation, which can lead to minor injuries.

ATTENTION

Pointer to a possibly dangerous situation, which can lead to property damage.

Proper use

- The machine is designed for generating steam and vacuum cleaning liquids and solid substances according to the description in this Operating Instructions Manual.
- This appliance is suitable for commercial use.
- This appliance is not suitable for industrial use.

Symbols on the machine



Steam

CAUTION - Danger of scalding



Risk of burns on account of hot surfaces!

Overview

Device elements

Illustration A

- 1 Safety lock (steam boiler)
- 2 Operating field
- 3 Steam hose
- 4 Reset key - Descaling
- 5 Steam switch
- 6 Accessory compartment
- 7 Cover of the appliance connector
- 8 Steam plug
- 9 Carrying handle
- 10 Cable hook
- 11 Hood
- 12 Container closure (fresh water tank)
- 13 Terry cloth cover
- 14 Funnel inlet
- 15 Hand nozzle
- 16 Window nozzle (option)
- 17 Power cord
- 18 Retaining clip
- 19 Floor nozzle with bristles
- 20 Floor cleaning cloth (floor nozzle with bristles)
- 21 Round brush
- 22 Power nozzle (red)
- 23 Extension piece
- 24 Floor nozzle with lamellae
- 25 Detail nozzle (120 mm)
- 26 Detail nozzle (180 mm)
- 27 Floor cleaning cloth (floor nozzle with lamellae)
- 28 Locking knob
- 29 Extension tube
- 30 Lock (child-proof lock)
- 31 Steam gun

Operating field

Illustration B

- 1 Switch - pump fresh water tank
- 2 Indicator lamp - heating (yellow)
- 3 Indicator lamp - water shortage steam boiler (red)
- 4 Temperature display
- 5 Rotary knob for VAPOHYDRO regulation
- 6 Rotary knob for steam quantity controller
- 7 Working temperature range
- 8 Indicator lamp - Descaling (white)
- 9 Indicator light - water shortage fresh water tank (red)
- 10 Switch - heating (ON/OFF)

Colour coding

- The operating elements for the cleaning process are yellow.
- The controls for the maintenance and service are light gray.

Safety Devices

Safety devices serve for the protection of the user and must not be put out of operation or bypassed with respect to their function.

Pressure controller

The pressure controller keeps the boiler pressure during the operation as constant as possible. The heating is turned off if the maximum operating pressure of 4 bar is reached in the boiler and is reactivated in case of a pressure drop in the boiler due to steam tapping.

Water shortage thermostat

When the water in the boiler becomes exhausted, the temperature of the heating increases. The low-water thermostat turns off the heating, and the red low-water indicator lamp "water shortage" lights up. The heating is prevented from being turned on again until the boiler has cooled down or been refilled with water.

Safety thermostat

- If the low-water thermostat fails and the appliance overheats, the safety thermostat turns off the steam cleaner.
- Please contact your local KÄRCHER customer service to arrange for the re-set of the safety thermostat.

Safety lock

- The safety lock seals the boiler against the steam pressure that builds up in the boiler. If the pressure controller is defective and the steam pressure in the boiler rises above 5.7 bar, a pressure control valve in the safety lock opens, and steam is emitted through the lock to the outside.
- Please contact your local KÄRCHER customer service before you put the appliance into operation again.

Cleaning methods

Refreshing textiles

Always test the compatibility of the fabrics on a hidden spot prior to treating them with the appliance: Steam first, then allow to dry before checking for colour changes or deformation.

Cleaning of Coated or Lacquered Surfaces

When cleaning painted or plastic-coated surfaces, as found on kitchen and living room furniture, doors, parquet, linoleum; wax, furniture polish, plastic surfaces or paint can come loose or stains can be created. When cleaning these surfaces, briefly steam a cloth and wipe the surfaces with it.

Cleaning of Glass

Preheat window panes during seasons with especially low temperatures. In order to do so, lightly steam the entire glass surface from a distance of approx. 50 cm. This will prevent tensions on the surface which might lead to glass breakage.

Start up

Attaching the Accessories

- Lift up the cover of the socket in the device and tightly plug the steam connector into the device. The pins of the plug must lock into the cover of the appliance connector.
- Connect the required accessories (floor nozzle, hand nozzle or detail nozzle) to the steam gun. Slide the parts together until the locking button locks into the steam gun.
- Use the extension pipes if necessary. Slide the parts together until the respective locking button locks into place.
- Press down on the locking knob to separate the accessories.

Fill up with water

Note: The use of distilled water (no lime-scale build-up) is possible, however, leads to faster wear of the boiler; thus, it is not recommended.

- Check safety lock for tight seating.
- Unscrew the container closure from the fresh water tank.
- Attach the funnel inlet to the fresh water tank and snap into place by a rotating motion.
- Fill max. 2 litres of fresh water into the fresh water tank.

⚠ **WARNING**

Do not use detergent.

- Unlock and remove the funnel inlet.
- Screw the container closure onto the fresh water tank.

Operation

Temperature display

The temperature indicator shows whether the operation is taking place in the correct temperature range (working temperature range).

Turning on the Appliance

- Insert the mains plug into the socket.
- Switch on the device with the switch - pump fresh water tank and with the switch - switch on heating. The indicator lamps illuminate.

Note: The full heating performance is only available if the steam plug is connected to the appliance during the heating-up period. Once the indicator lamp "heating" has gone out, the system is ready for use.

Note: Do not place the appliance into an upright position while it is running. Otherwise, the heating will turn off automatically after a brief period and the indicator lamp "water shortage" will illuminate in red.

- Switch the heating off by means of the switch while the appliance is being transported.
- Actuate the steam switch, steam will escape. Always direct the steam gun at a separate piece of cloth until the steam is emitted evenly.
- The heating of the steam cleaner is turned on during operation of the appliance (indicator lamp glows yellow) in order to maintain the pressure in the boiler at a constant level.
- If the device is switched on without water, initially, the indicator lamp "heating" will glow yellow until the water shortage thermostat switches the heating off. After that, the indicator lamp "water shortage" glows red.

Steam quantity regulation

- When working with standard accessories, regulate the steam volume via the rotary knob on the device.

Note: If the steam quantity regulation is set to a small quantity, steam may continue to be emitted after the steam switch has been released until the pressure in the steam hose is reduced. This pressure can be relieved even faster by briefly setting the steam quantity regulation to a large volume.

VAPOHYDRO regulation with rotary knob

- In wet areas, you can also wash away the dirt instead of absorbing it with the cloth. For this, set the moisture of the steam to regulate via VAPOHYDRO regulation by means of the rotary knob. The higher the humidity of the steam, i.e. the more water is contained in the steam jet, the higher the rinsing effect. If you turn the rotary knob in the counter-clockwise direction to the highest quantity (+), a hot water jet is issued, and the highest rinsing effect is achieved.
- We recommend using the VAPOHYDRO in connection with the detail nozzle for cleaning the bathroom.
- Turn the rotary knob of the VAPOHYDRO regulation in the clockwise direction to the smallest quantity (-) when working with cloths (floor nozzles, manual nozzle) in order to have as little moisture in the steam jet as possible. The dirt loosening power of the steam is improved this way.

Note: If the rotary knob of the VAPOHYDRO regulation is turned in the counter-clockwise direction to the highest quantity (+), the boiler is depleted faster.

Refilling Water

Note: Once the water in the fresh water tank is used up, a signal is issued and the indicator light for "water shortage fresh water tank" lights up red.

- Fill the fresh water tank with a maximum of 2 litres of fresh tap water using the filling funnel.

Once the indicator lamp "heating" has gone out, the system is ready for use.

Note: If the pump does not deliver any water in spite of the fresh water tank being full, the boiler must be descaled.

Removing the Accessories

⚠ DANGER

Scalding danger! Hot water may drip out of the accessory parts while you are detaching them! Never disconnect accessory parts while steam is escaping.

Turning Off the Appliance

- Switch the appliance off at the switches.
- Fold down the cover of the socket in the device and pull the steam connector out of the device.
- Disconnect the mains plug from the socket.

Note: You can leave the residual water in the appliance.

Storing the Appliance

- Place the manual nozzle, detail nozzles and small parts into the accessories storage box.
- Coil the power cord around the cable hooks while the device is standing.
- Insert the extension pipes individually into the recesses on the appliance floor.

Note: Always allow the brushes to cool down so that any deformation of the bristles is avoided.

How to use the accessories

Note: Detergent residue or care emulsions that are still present on the surface to be cleaned can lead to streaks during steam cleaning. However, these will disappear with repeated cleaning procedures.

Steam gun

Application examples for use of the steam gun without accessories:

- Elimination of odours and wrinkles from hanging pieces of clothing, by steaming them from a distance of 10-20 cm.
- Removing dust from plants. Here, keep a distance of 20-40 cm.
- Moist dusting, by briefly steaming the cloth and wiping the furniture with it.

Detail nozzle

- The closer you hold the nozzle to the dirty spot, the higher the cleaning effect as temperature and pressure of the steam reach their maximum values immediately when they are emitted from the nozzle.
- The detail nozzle with the different attachment is suited for cleaning difficult to access points, such as corners, grooves, etc. as well as blinds, central heaters, toilets, stainless steel, mirrors, mirrors, fixtures, coated and enameled surfaces, loosening of stains.
- The power nozzle increases the emission speed of the steam. Therefore, it is well-suited for cleaning very tough dirt, blowing out corners, grooves, etc.

Note: The round brush is not suitable for cleaning sensitive surfaces.

Floor nozzle

Floor nozzle with bristles

- For abrasive cleaning of stubborn soiling.
- Suited for all washable wall and floor coverings, e.g. stone floors, tiles and PVC floors. Work slowly on very dirty surfaces to allow the steam to act on the dirt for a longer period of time.

Floor nozzle with lamellae

- For hygienic cleaning of smooth surfaces, because of higher surface temperature.
- For a hygienical cleaning result steam directly on the hard surface with a working speed of max. 30 cm per second. Additionally set VAPOHYDRO to minimum position and steam pressure to maximum position.

Using the floor cleaning cloth

Flip and replace floor cloth regularly to improve the dirt pickup.

→ Attach the floor cloth to the floor nozzle.

- 1 Fold the floor cloth the long way and place the floor nozzle on top of it.
- 2 Open holding clamps.
- 3 Place the cloth ends into the openings.
- 4 Close the holding clamps.

⚠ **CAUTION**

Do not insert fingers between the clamps.

Hand nozzle

Suited for small washable areas, shower stalls, mirrors or furniture cloth material.

→ Pull the terry cloth cover over the manual nozzle.

Window nozzle (option)

Order no. 4.130-115.0

- Apply steam to the glass surface from a distance of approximately 20 cm until the surface is moistened evenly.
- Switch off the steam supply.
- Strip the glass surface in straight lines from the top to the bottom using the rubber lip.
- Wipe the rubber lip and the bottom edge of the window dry after each strip.

Wallpaper remover (optional)

Order no. 2.863-076.0

You can use the wallpaper remover with the steam cleaner to remove wallpapers.

- Apply wallpaper remover to the edge of a wallpaper length and let the steam settle in until the wallpaper is fully moistened (approx. 10 seconds).
- Reset wallpaper remover without switching off. Lift the soaked piece of wallpaper using a flat trowel, and pull it off the wall.

In case of woodchip wallpaper that has been painted several times, the steam may not be able to soak the wallpaper. If this happens, you need to prepare accordingly with a nail roller.

Transport

⚠ **CAUTION**

Risk of injury and damage! Observe the weight of the appliance when you transport it.

- For transport over short distances:
Switch off the heating, bring the device into an upright position, grab the device on the carrying handle and extension tube to carry it.
- When transporting in vehicles, secure the appliance according to the guidelines from slipping and tipping over.

Storage

⚠ **CAUTION**

Risk of injury and damage! Note the weight of the appliance in case of storage.

This appliance must only be stored in interior rooms.

Care and maintenance

⚠ **DANGER**

Always disconnect the mains plug and allow the steam cleaner to cool down before performing any maintenance work.

Rinsing the boiler

Illustration 

Rinse the boiler of the steam cleaner boiler at the latest after 5 boiler fillings.

- Fill the boiler with water and shake it strongly. This dissolves lime scaling residing on the boiler bottom.
- Empty water out.

Descaling the boiler

As limescale also builds up on the boiler walls, we recommend to descale the boiler using KÄRCHER Bio descaler RM 511. The KÄRCHER Bio descaler RM 511 is a product based on citric acid, which is completely biodegradable.

ATTENTION

Only use products approved by KÄRCHER to exclude any damages of the appliance.

- ➔ Disconnect the mains plug from the socket.
- ➔ Completely empty the steam boiler.
- ➔ Completely dissolve two bags of descaler by stirring it in 2 liters of warm water.
- ➔ Fill the descaling solution into the boiler and allow to react for approximately 8 hours.

⚠ DANGER

Do not screw the steam boiler safety cap on the appliance during the descaling. Do not use the appliance as long as there is descaling agent in the boiler.

- ➔ Pour out the descaling solution. Rinse the boiler at least two more times with cold water to ensure that there is no residue left behind in the boiler.
- ➔ Turn on the appliance.
- ➔ Press the reset key until the indicator lamp "Descaling" goes off.

The appliance is ready for use again. After approx. 50 operating hours, the indicator lamp "Descaling" shows the next necessary descaling process.

Note: Never fill descaler into the fresh water tank as this damages the pump.

Filter replacement

Illustration

Using soiled water can occlude the filter. This is shown by extraordinary long run times of the pump or a complete malfunction.

- ➔ Replace the filter.

Troubleshooting

⚠ DANGER

Always disconnect the mains plug and allow the steam cleaner to cool down before performing any maintenance work.

⚠ DANGER

Repair works may only be performed by the authorized customer service.

Indicator lamp "water shortage" glows red

- ➔ Refill water.

Indicator lamp "Descaling" glows white

- ➔ Decalcify appliance.

Customer Service

If malfunction can not be fixed, the device must be checked by customer service.

Warranty

The warranty terms published by our competent sales company are applicable in each country. We will repair potential failures of your accessory within the warranty period free of charge, provided that such failure is caused by faulty material or defects in fabrication. In the event of a warranty claim please contact your dealer or the nearest authorized Customer Service center. Please submit the proof of purchase.

Accessories and Spare Parts

Only use original accessories and spare parts, they ensure the safe and trouble-free operation of the device.

For information about accessories and spare parts, please visit www.kaercher.com.

Special accessories

Only use special accessories approved by the manufacturer.

Name	Part no.:
Bio descaler RM 511 (3x 100 g of powder)	6.290-239.0
Caddy cart	6.962-239.0
Round brush kit with brass bristles	2.863-075.0
Round brush kit	2.863-077.0
Micro fibre cloth	6.905-921.0

EU Declaration of Conformity

We hereby declare that the machine described below complies with the relevant basic safety and health requirements of the EU Directives, both in its basic design and construction as well as in the version put into circulation by us. This declaration shall cease to be valid if the machine is modified without our prior approval.

Product: Steam cleaner

Type: 1.092-xxx

Relevant EU Directives

2014/35/EU

2014/30/EU

Applied harmonized standards

EN 55014-1: 2006+A1: 2009+A2: 2011

EN 55014-2: 2015

EN 60335-1

EN 60335-2-54

EN 61000-3-2: 2014

EN 61000-3-3: 2013

EN 62233: 2008

Applied national standards

TRD 801

5.957-470

The undersigned act on behalf and under the power of attorney of the company management.



H. Jenner
CEO



S. Reiser
Head of Approbation

Authorised Documentation Representative
S. Reiser

Alfred Kärcher GmbH Co. KG
Alfred-Kärcher-Str. 28 - 40
71364 Winnenden (Germany)
Phone: +49 7195 14-0
Fax: +49 7195 14-2212

Winnenden, 2016/04/01

Technical specifications

Electrical connection		
Mains voltage	V	110
Frequency	Hz	1~ 50-60
Voltage in the steam gun	V	24
Type of protection	--	IPX4
Protective class	--	I
Performance data		
Heating output	W	1500
Pump	W	50
Max. operating pressure	MPa (bar)	0,4 (4,0)
Permitted operating pressure	MPa (bar)	0,6 (6,0)
Max. work temperature	°C	145
Heating time per litre of water	min	ca. 5,5
Steam quantity (max.)	g/min	75
Dimensions and weights		
Typical operating weight	kg	8,0
Max. water capacity	l	4,0
Tank content	l	2,0
Boiler capacity	l	2,4
Length x width x height	mm	475 x 320 x 275
Power cord	H07RN-F 3x1,5 mm ²	
	Part no.:	Cable length
GB	6.650-710.0	7,5 m



<http://www.kaercher.com/dealersearch>

