



# Vision+

## Vision & Voice Webcam 1 Home

### Plug & Play 1080p HD Webcam

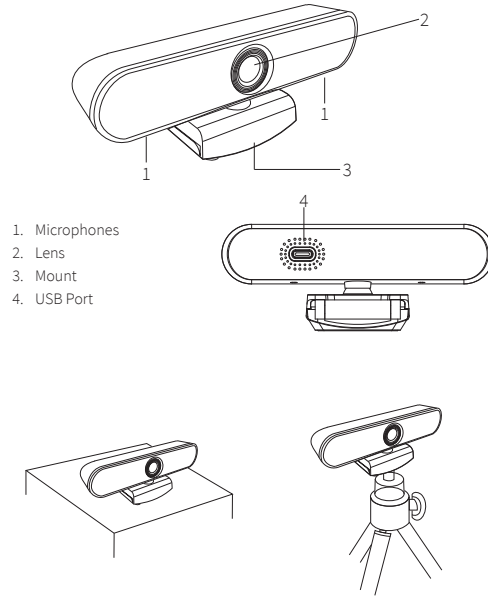
Ideal Work at Home solution

- Two Microphones
- 96° Wide Angle Field of View
- Desk / Monitor Mount



#### Setting up your webcam

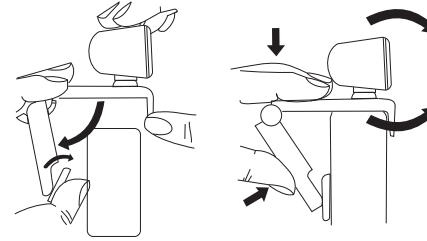
The Vision+ is designed to suit the way you like to make a video call, whether it's one to one or conference, you can place the Vision+ webcam where you want it - on a computer monitor, desktop or tripod.



1. Microphones
2. Lens
3. Mount
4. USB Port

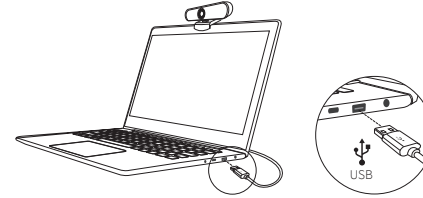
#### Positioning on a monitor

Grasp the webcam in one hand and open the flexible clip base with your other hand. Mount the webcam onto the top of the monitor, making sure that the foot on the flexible clip base is flush with the back of the monitor.



#### Connecting your webcam

- Plug the USB-C jack into the back of the camera
  - Plug the USB-A jack into the back of your PC
- Connecting the USB adapter to your computer's USB port is a simple plug & play process. No other action is required.



#### GUARANTEE

Your JPL Telecom product has been carefully manufactured and 100% tested using high quality assured components. It is guaranteed against faulty workmanship and materials for a period of 24 months from the date of purchase. In the unlikely event that a failure should occur, please contact the JPL Telecom dealer from which you purchased this product or visit [www.jppte.com](http://www.jppte.com) and follow our product returns procedure. You will be given a RMA number and instructions on how to return your headset.

Further help can be found on-line at [www.jppte.com](http://www.jppte.com) on our FAQs page.

**Note:** Removing the factory-applied warranty label will void the warranty. Your statutory rights under common law are in no way affected by this guarantee. The warranty does not cover cosmetic damage or damage due to misuse, abuse, negligence, acts of nature, accident, disassembling or modification of, or to any part of, the product. The warranty does not cover damage due to improper operation, maintenance or installation, or attempted repair by anyone other than JPL Telecom. Any unauthorised repairs will void this warranty.

#### LIMITED WARRANTY

Consequential and incidental damages, including without limitation, loss of property and those arising from breach of any express or implied warranty, are not the responsibility of JPL Telecom and to the extent permitted by law, are excluded.

In accordance with its policy of progressive product design, JPL Telecom reserves the right to change product specifications without prior notice.

\* Repair or replacement is at the discretion of the manufacturer.

(NB. For product returns, please follow instructions and returns department address provided on our website. Returned products received at the registered addresses are likely to be returned to sender).

Thank you for choosing the Vision+ Webcam.

#### What's in the box:

1 x Vision+ Webcam, 1 x Privacy Lens Cover, 1 x USB-A to USB-C cable

#### System Requirements

Windows® 2000/XP (SP3 or higher), Windows Vista® or Windows® 7/8/10 / Android 4.0 and above with UVC / MAC for HD 1080p video recording:

- 2.4 GHz Intel Core 2 Duo processor
- 2 GB RAM or more
- Hard drive space for recorded videos
- USB 2.0 port

Recommended requirements for full HD 1080p and 720p video calling:

- 1 Mbps upload/download for 720p
- 2 Mbps upload/download for 1080p

#### Features

- Full HD 1080p 30fps CMOS video calling (up to 1920 x 1080 pixels)
- Full HD 1080p 30fps CMOS video recording (up to 1920 x 1080 pixels)
- Privacy Lens Cover
- Built-in dual stereo microphones
- Duplex Communication
- Automatic low-light correction
- 96° Wide angle field of view
- Monitor / Desk mount
- AEC - Automatic Echo Cancellation
- ANS - Automatic Noise Suppression
- Hi-speed USB 2.0 certified
- 24 Month warranty

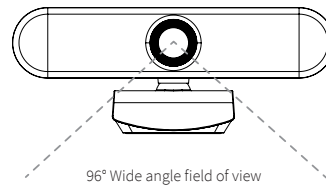
#### Using your webcam

Once you have connected the webcam to your computer via the USB cable you can open the visual collaboration software of your choice: Teams®, Zoom®, WebRTC, Webex, Bluejeans® and many more.

Most collaboration software packages allow you to choose your devices. Simply select the JPL Vision+ for both microphone and camera.

#### Optimal Performance

- Do not sit in front of a window or other bright light source
- Having an uncluttered background will have your viewers concentrating on you
- The mounting system allows for tilting and aiming the camera. While sitting in your normal position, your entire face should be just above the middle of the picture. Tilt and move the camera to frame up a good view.



#### Camera parameters:

Total Pixels	2 million pixels
Lens size	1/2.9 inch
Aperture	2.5±5%
Image area	5.85mm x 3.27mm
Maximum effective pixel	1920 (H) x 1080 (V) 2.1 million pixels
Output image format	MJPEG and YUY2
Field of view	96°(W)
AIC	Automatic Exposure (AE) Auto White Balance (AWB) Dynamic Black Level Calibration (ABLC)
Resolution	1920 x 1080 @ 30fps 1280 x 720 @ 30fps 640 x 480 @ 30fps

#### Microphone parameters:

SNR	≥60dB
Sensitivity	-42±3dB(0dB=1V/pa,1KHz)
Far-field distance	0~2 meters
Horizontal voice pickup	Horizontal 180°
Communication mode	Full Duplex
AIC	Automatic gain control Automatic noise reduction control Automatic echo noise reduction control

#### Other parameters:

Interface type	Type C
Voltage	5V/2A
OS Support	Win 2000/XP/Vista/Win 7/Win 8/Win 10 Linux with UVC (above linux - 2.6.26) Mac - OS X 10.4.8 or later Win CE with UVC Android 4.0 or above with UVC
Size	127.7 x 55.3 x 50mm
Weight	100g

#### REGISTERED ADDRESS

##### UK Office: JPL Telecom Limited

Units 1 & 2, Church Close Business Park, Church Close, Todber, Sturminster Newton, Dorset, DT10 1JH, England

##### USA Office: JPL Telecom Holdings LLC

445 W Merritt Ave, Merritt Island, FL 32953, USA

Registered in England No. 5250754

[www.jppte.com](http://www.jppte.com)

