



Lexmark CS720/ CS725 Series



CS720de

Combining the capabilities and durability of a workgroup printer with the ease of use of a personal output device, the CS720/CS725 Series features enterprise-level security and integration into Lexmark's smart MFP ecosystem, all in a simple, intuitive design.

Fast and quick printing to drive productivity

At up to 47 pages per minute³ in black or colour, the Lexmark CS720/CS725 Series are among the fastest printers in their class*.

Speed is important for high-volume printing, but most jobs are short—less than three pages.

Fortunately, the CS720/CS725 Series has a time to first black page as low as 5 seconds, and a time to first colour page as fast as 5.5 seconds. It often prints short jobs before a user can even get up from their chair, and minimises waiting time for users who initiate printing from the touch screen.

Processing power for complex documents

Printing graphics-intensive colour files can be a challenge for any office printer. However, with the most powerful print controller in its class* (including a 1.2 GHz quad-core processor, up to 3 GB of memory and optional hard disk), the CS720/CS725 Series can easily power through complex documents.



Colour



Solutions



Up to 47 ppm³



10.9 cm (4.3-inch)
touch screen



Reliable, flexible media handling

Paper misfeeds and jams are wasteful, annoying to deal with and time-consuming to resolve. The CS720/CS725 Series is engineered to make media loading and feeding easier and more reliable than ever.

Input flexibility: With maximum input capacity of up to 2,300 pages, the CS720/CS725 Series gives you plenty of printing without time-consuming paper loading. Easily adjustable universal input trays let you load envelopes or media as small as A6 in any tray without worrying about misfeeds. The 100-sheet manual feed input is easy to access and convenient for special media needs, including 132 cm (51,9-inch) banner support.

Input reliability: The Lexmark CS720/CS725 Series is built with the same level of robust media handling that Lexmark's highest-performance monochrome printers are known for. The series' paper trays are virtually jam-proof, built with exceptional durability and mounted on steel rails—all working together for added reliability, ease of use and long life, even in challenging environments.

Quality output for a professional image

The CS720/CS725 Series offers print technology usually found only in higher-priced colour devices. It creates sharp, consistent and smooth images for professional-looking print jobs.

Ultra-sharp quality: The CS720/CS725 Series provides Lexmark's ultra-sharp 4800 Colour Quality (4800 CQ) at maximum print speed. And built-in font outlining automatically smooths character edges and prevents broken characters for outstanding text clarity in any language.

Spot-on colour: The CS720/CS725 Series provides both PANTONE® calibration and embedded colour sample pages to help you nail perfect colour at the design stage. Lexmark Colour Replacement technology combines spot colour replacement and RGB replacement for precision matching of critical colours such as those found in corporate logos. It's colour so accurate, you can do everything in-house.

Software solutions save money and energy

Lexmark's Embedded Solutions Framework (eSF) and Cloud Solutions Framework (cSF) allow the CS720/CS725 Series to load and run software solutions tailored to your specific need or industry.

Lexmark devices with cSF can run web apps designed for the device, accessed via the cloud or an on-premise server. eSF applications are created by Lexmark, its partners and customers, and loaded directly on the device.

The series' solutions capabilities combine with Lexmark fleet management tools and your existing enterprise software and technical infrastructure to form the Lexmark smart MFP ecosystem. Its adaptability future-proofs your investment in Lexmark technology.

Solutions to solve business problems

Forms and Favourites: Eliminate waste and inaccuracy associated with preprinted forms and other documents by locating and selecting them from network storage locations or content management applications right from the printer's touch screen. With the Forms and Favourites solution, you can print Microsoft® Office documents directly from the device, as well as PDF, XPS, JPG, PRN, TIFF and other file formats—useful when you're on the road or don't have a typical office computer to print from.

Eco-Settings: Print responsibly, save money and reduce waste by controlling energy usage as well as paper and toner consumption.

Display Customisation: Display a customised, scrolling slideshow on the colour touch screen to communicate important messages to users while the printer is in sleep mode.



Forms and Favourites



Eco-Settings



Display Customisation

*Available Summer 2016

Serious output, minimal downtime

The CS720/CS725 series is engineered with long-life consumables so you can print with minimal downtime and get more work done.

Toner for the long haul: Available High Yield toner cartridges produce up to 20,000 black and 12,000 colour pages.¹ (Available for CS725 only.) By reducing the number of times toner runs out, the output keeps going even in high-usage environments.

Long-life components: Constantly replacing components creates unnecessary waste and carbon emissions and hurts productivity as the printer stops and print jobs back up. The CS720/CS725 Series' long-life components minimise downtime with imaging components that can last up to 150,000 pages⁴, depending on usage. In fact, the photoconductor unit drums are covered with an ultra-durable coating that can produce print quality as good at page 150,000 as it does on page one. Plus, an advanced auto colour retract feature actually pulls colour printing components away during monochrome printing to prevent premature wear.

Quality in Unison: Unison™ Toner is the result of advanced toner science—powerful enough to deliver consistently outstanding image quality with rich, vibrant colour and precise details, plus long-life system reliability and amazing sustainability. Documents printed with Unison Toner look great from the first page to the last because of its uniquely engineered formulation. Even when the cartridge is low, there's no fading and no need to shake the cartridge, and you won't waste money by replacing a cartridge that still has toner in it.

Unison Toner's unique low-friction qualities increase toner flow and contribute to its ability to transfer efficiently to the page. Unison Toner reduces internal wear on long-life components and protects the print system. This delivers long-term reliability and ultimately saves time, money and the environment.

Unison Toner is uniquely tuned to the CS720/CS725 Series' print system for optimal performance.

Security and more

Advanced security features: Lexmark CS720/CS725 Series' security features encompass device management, hardening and operation.

Device management: A combination of administrative access and passwords, HTTPS, SNMPv3, IPsec and 802.1x support lets you remotely monitor, manage, authorise, and authenticate who and what gets access to the network.

Device hardening: Built-in tools include port filtering and TCP connection filtering to restrict which connections are active from what sources. Encryption and wiping of the optional hard disk protect sensitive print job data. Digitally signed firmware updates can prevent hackers from uploading compromised software to the printer.

Device operation: You get user authentication via PIN, passwords or badge reader, address book lookup via LDAP over SSL (Secure Socket Layer) to provide a secure connection between the printer and the network, and device operator panel lockouts to protect the device settings.

Lexmark Managed Print Services (MPS)

Lexmark Managed Print Services (MPS) takes a holistic approach to improving the enterprise print architecture. Lexmark aligns devices with the business mission and takes care of their day-to-day management with proactive and predictive service to ensure optimal uptime. Once in place, the managed environment becomes a conduit to unify print and digital information for streamlined processes. Customers benefit with fewer devices, fewer pages, lower cost and improved knowledge worker productivity.



Hard disk protection: Models equipped with the optional hard disk include advanced hard disk protection with 256-bit AES encryption and encryption keys stored in the printer's memory, not the hard disk. The data is protected even if the hard disk is removed. This level of protection is automatic at power up—users and administrators do not have to do anything.

The CS720/CS725 Series also performs automatic file-based hard disk wiping after every print job, which cannot be disabled. The process of clearing a device's disk drive and non-volatile memory data when removing it from service or a secure location is simple with a one-step "out of service" wiping command for authorised users.

Ease of use features

10.9 cm (4.3-inch) colour touch screen:

The bright touch screen features an ultra-smooth surface and can be activated by almost anything, including pens, fingertips or nails—without pressure or direct skin contact. Support for gestures like swipe to access panels and menus makes operation easy and intuitive. Audible feedback from the screen provides user assurance, while a separate 10-key number pad improves accessibility and enhances convenience.

Intuitive interface: The e-Task interface with modern tablet-like capabilities is familiar to users, minimising the need for training. On-screen features allow users to select specific pages within a document and change print job settings.

Wireless and mobile printing: Lexmark Print Management was the first AirPrint®-certified enterprise print management solution. Lexmark mobile printing includes support for iOS, Android, and Microsoft® Windows Mobile printing, with optional wireless and NFC direct connectivity from smartphones and tablets. The CS720/CS725 Series is a Mopria®-certified printer and is Google Cloud Print™ Ready.

Direct printing: Directly print Microsoft Office files, PDFs and other document and image types from flash drives, network servers or online drives.

Accessibility: The CS720/CS725 Series includes advanced Section 508* and European Standard EN 301 549 accessibility features for those with varying levels of ability. Features such as paper trays that can be closed with less than five pounds of force, high-contrast labelling, headphone jack and standard talk-back feature provide a better user experience for all of our customers.

Compact footprint: Although equipped with many enterprise-class features, the CS720/CS725 Series' compact footprint makes it ideal for distributed environments, branch locations or anywhere space is limited.

*Available Summer 2016

Environmental features

Advanced toner: Lexmark's exclusive Unison Toner makes energy savings a reality, using less energy than Lexmark's previous toners by printing at a lower temperature. And through LCCP, the Lexmark Cartridge Collection Program, Lexmark offers a free and easy way for you to return your empty cartridges for sustainable recycling or remanufacturing.

Power saving modes: Sleep mode power usage of less than 3 watts saves money and energy between print jobs. When the device is not in use, it goes to sleep and wakes for incoming print jobs. In addition, it can be powered on or off from its control panel or a user-defined schedule.

Paper and toner savings: Standard duplex printing prints on both sides of paper by default. Plus, the unique ColourSaver feature prints images at a lighter shade by default, while leaving text dark and readable, saving toner and money.

Recycled paper compatibility: To ensure that you can minimise the impact of the paper you use, the Lexmark CS720/CS725 Series has been fully tested with a range of recycled papers, up to 100% recycled.

Post-consumer recycled content: The CS720/CS725 Series makes a measurable impact on raw material consumption by containing up to 50% post-consumer recycled plastic content.

Environmental certifications: Lexmark products meet globally recognised environmental standards*:

- ▶ ENERGY STAR®
- ▶ Blue Angel compliant, certification in process
- ▶ EPEAT®

Lexmark Sustainability

For Lexmark, commitment to the environment isn't a marketing tagline, it's a core value backed up by real action and results. We are forward thinking, innovative, and driven to sustain a healthy planet for generations to come. For our customers and partners we bring this passion, our leading technology and a deep understanding of industry-specific business processes to continuously improve their efficiency as well as our own.

For more information on Lexmark's sustainability initiatives, visit csr.lexmark.com

*ENERGY STAR V2.0 for Imaging Equipment (EU RoHS and Section 4.3.1.1 of IEEE 1680.2-2.)

1. Intuitive colour touch screen with next-generation e-Task interface

The 10.9 cm (4.3-in.) colour touch screen features an ultra-smooth surface and can be activated by almost anything, including pens, fingertips or nails—without pressure or direct skin contact. The modern interface is familiar to users, minimising the need for training.

2. Expandable input

Add trays to print on multiple paper types and boost input capacity to 2,300 sheets.

3. Universal input trays

Easily adjustable universal input trays let you load envelopes or media as small as A6.

4. Direct printing

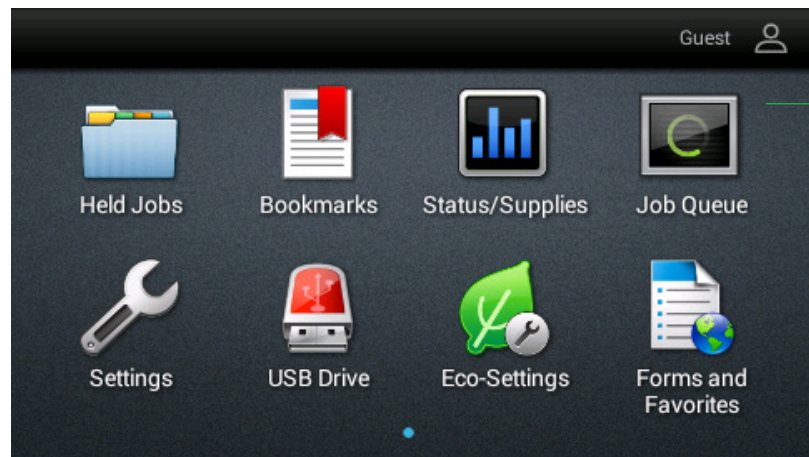
Print Microsoft Office files and other document and image types from flash drives, or select and print documents from network servers or online drives.

5. Compact footprint

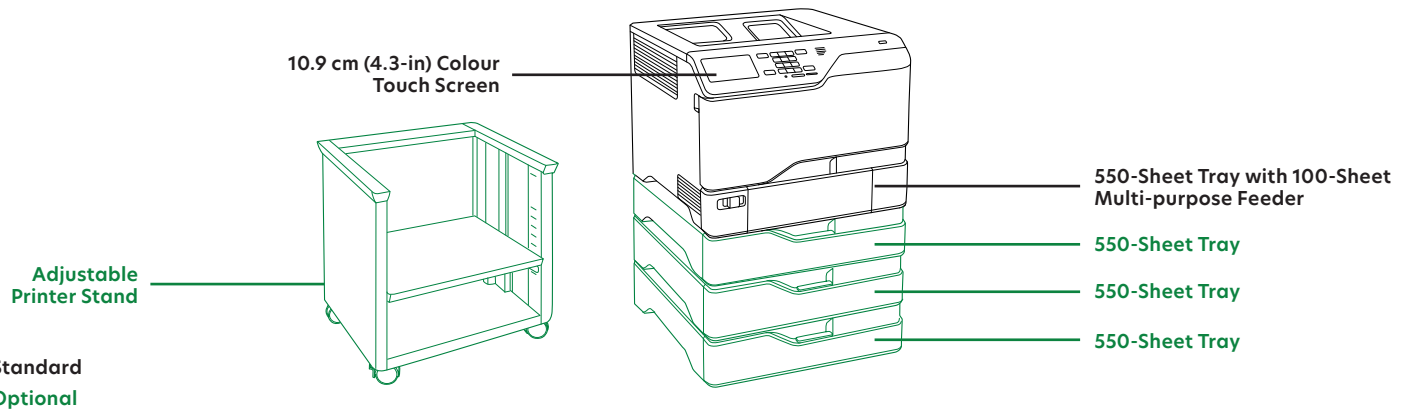
Ideal for distributed environments, branch locations or wherever space is limited.

6. Unison Toner print system with long-life supplies

Unison Toner delivers consistently outstanding image quality plus long-life system reliability and amazing sustainability in a no-shake design. Extra High Yield replacement toner cartridges produce up to 20,000 black and up to 12,000 colour pages.¹ (Available for CS725 only.)



Lexmark CS720/CS725 Series features



Product specifications	Lexmark CS720de	Lexmark CS725de
Printing		
Display	Lexmark e-Task 10.9 cm (4.3-inch) colour touch screen	
Print Speed: Up to ⁶	Black: 38 ppm / Colour: 38 ppm	Black: 47 ppm / Colour: 47 ppm
Time to First Page: As fast as / Time to First Page: as fast as	Black: 6.0 seconds / Colour: 6.5 seconds	Black: 5.0 seconds / Colour: 5.5 seconds
Print Resolution	Black: 1200 x 1200 dpi, 4800 Colour Quality (2400 x 600 dpi) / Colour: 1200 x 1200 dpi, 4800 Colour Quality (2400 x 600 dpi)	
Memory	standard: 1024 MB / maximum: 3072 MB	
Hard Disk	Option available	
Recommended Monthly Page Volume ²	1,500 - 15,000 Pages	2,000 - 20,000 Pages
Maximum Monthly Duty Cycle: Up to ³	120,000 pages per month	150,000 pages per month
Supplies⁷		
Laser Cartridge Yields (up to) ¹	3,000-page Black and Colour (CMYK) Cartridges, 7,000-page Black and Colour (CMYK) Cartridges, 20,000-page Black High Yield Cartridge	3,000-page Black and Colour (CMYK) Cartridges, 7,000-page Black and Colour (CMYK) Cartridges, 12,000-page Colour (CMY) High Yield Cartridges, 20,000-page Black High Yield Cartridge
Imaging Unit Estimated Yield: Up to	150,000 pages, based on 3 average letter/A4-size pages per print job and ~ 5% coverage	
Cartridge(s) Shipping with Product ¹	3,000-page Black and Colour (CMYK) Return Programme Toner Cartridges	7,000-page Black and Colour (CMYK) Return Programme Toner Cartridges
Paper Handling		
Included Paper Handling	550-Sheet Input, 100-Sheet Multipurpose Feeder, Integrated Duplex, 300-Sheet Output Bin	
Optional Paper Handling	550-Sheet Tray	
Paper Input Capacity: Up to	Standard: 650 pages 75 gsm bond / Maximum: 2,300 pages 75 gsm bond	
Paper Output Capacity: Up to	Standard: 300 pages 75 gsm bond / Maximum: 300 pages 75 gsm bond	
Media Types Supported	Card Stock, Envelopes, Paper Labels, Plain Paper, Vinyl Labels, Banner Paper, Refer to the Paper & Specialty Media Guide	
Media Sizes Supported	10 Envelope, 7 3/4 Envelope, 9 Envelope, A4, A5, B5 Envelope, C5 Envelope, DL Envelope, Executive, Folio, JIS-B5, Legal, Letter, Statement, Universal, Oficio, A6	
General Information⁴		
Standard Ports	One Internal Card Slot, USB 2.0 Specification Hi-Speed Certified (Type B), Gigabit Ethernet (10/100/1000), Front USB 2.0 Specification Hi-Speed Certified port (Type A), Rear Hi-Speed USB port Compatible with USB 2.0 Specification (Type A)	
Optional Network Ports	Internal MarkNet N8360 802.11b/g/n Wireless, NFC	
Noise Level: Operating	Print: 51 dBA	Print: 53 dBA
Specified Operating Environment	Humidity: 15 to 80% Relative Humidity, Temperature: 10 to 32°C (50 to 90°F), Altitude: 0 - 2,896 Metres (9,500 Feet)	
Product Guarantee	1-Year Onsite Service	
Size (mm - H x W x D) / Weight	417 x 475 x 499 mm / 36.3 kg	

¹Average continuous black or continuous composite CMY declared cartridge yield up to this number of standard pages in accordance with ISO/IEC 19798. ²Recommended Monthly Page Volume² is a range of pages that helps customers evaluate Lexmark's product offerings based on the average number of pages customers plan to print on the device each month. Lexmark recommends that the number of pages per month be within the stated range for optimum device performance, based on factors including: supplies replacement intervals, paper loading intervals, speed, and typical customer usage. ³Maximum Monthly Duty Cycle³ is defined as the maximum number of pages a device could deliver in a month using a multishift operation. This metric provides a comparison of robustness in relation to other Lexmark printers and MFPs. ⁴Printers are sold subject to certain license/agreement conditions. See www.lexmark.com/printerlicense for details. ⁵Actual Yield may vary based on other factors such as device speed, paper size and feed orientation, toner coverage, tray source, percentage of black-only printing and average print job complexity. ⁶Print and copy speeds measured in accordance with ISO/IEC 24734 and ISO/IEC 24735 respectively (ESAT). For more information see: www.lexmark.com/ISOspeeds. ⁷Product functions only with replacement cartridges designed for use in a specific geographical region. See www.lexmark.com/regions for more details.

© 2015 Lexmark and the Lexmark logo are trademarks of Lexmark International, Inc., registered in the United States and/or other countries. All other trademarks are the property of their respective owners.

Unison™ is a U.S. registered trademark.

AirPrint and the AirPrint logo are trademarks of Apple Inc.

ENERGY STAR® is a U.S. registered mark.

EPEAT® is a trademark of EPEAT, Inc. in the United States and other countries.

Google Cloud Print™ is a trademark of Google Inc.

Mopria®, the Mopria® Logo and the Mopria® Alliance logo are registered trademarks and service marks of Mopria Alliance, Inc. in the United States and other countries. Unauthorized use is strictly prohibited.

Notice: "This product includes software developed by the OpenSSL Project for use in the OpenSSL Toolkit (<http://www.openssl.org/>)."



lexmark.co.uk

