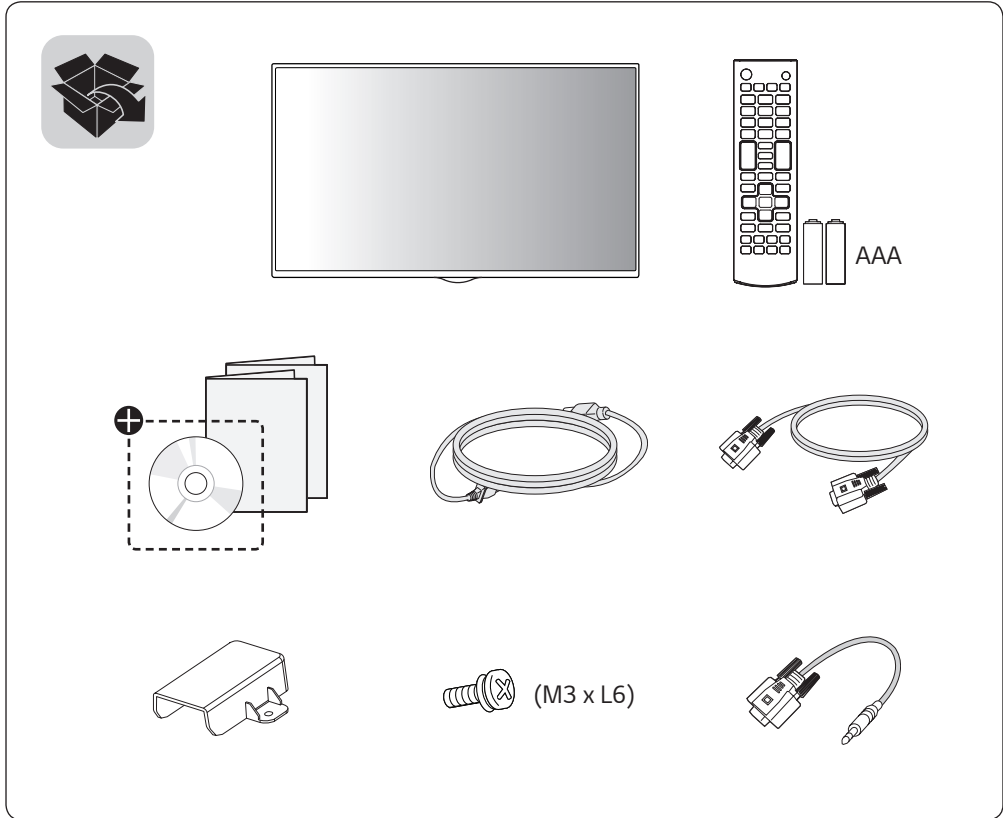




LG Digital Signage
(MONITOR SIGNAGE)

32SM5D	43SM5D	49SM5D	55SM5D	65SM5D
32SM5KD	43SM5KD	49SM5KD	55SM5KD	65SM5KD
		43SM3D	49SM3D	55SM3D



⊕ Depending upon country / Závísí na zemi / Afhængigt af landet / En función del país /
 Maan mukaan / Selon pays / Abhängig vom Land / Ανάλογα με τη χώρα / Országfüggő /
 Tergantung pada negaranya / A seconda del Paese / Елге байланысты / 지역에 따라 다름 /
 Afhankelijk van het land / Avhengig av land / Zależnie od kraju / Dependendo do país /
 В зависимости от страны / Závísí od krajiny / Beroende på land / 視國家，地區而定 /
 Ülkeye bağlı / Залежно від країни / Mamlakatga bog'liq ravishda / 国によって異なります /
 Dependo do país / תלוי במדינה / حسب البلد



* M F L 6 9 8 6 8 3 0 1 *

P/No: MFL69868301 (1701-REV00)
Printed in Korea



English	You can download the web manuals for this product at the following websites. (Keyword : SM5D, SM3D, SM5KD)
Česky	Můžete si stáhnout webové návody k obsluze tohoto produktu z následujících webových stránek. (Klíčové slovo : SM5D, SM3D, SM5KD)
Dansk	Du kan downloade webvejledningen til dette produkt på følgende websteder. (Nøgleord : SM5D, SM3D, SM5KD)
Español	Puede descargar los manuales web de este producto en los siguientes sitios web. (Palabra clave : SM5D, SM3D, SM5KD)
Suomi	Voit ladata tuotteen verkko-oppaat seuraavilta verkkosivuilta. (Avainsana : SM5D, SM3D, SM5KD)
Français	Vous pouvez télécharger le guide Web pour ce produit sur les sites suivants. (Mot-clé : SM5D, SM3D, SM5KD)
Deutsch	Sie können die Webhandbücher für dieses Produkt auf den folgenden Websites herunterladen. (Schlüsselwort : SM5D, SM3D, SM5KD)
Ελληνικά	Μπορείτε να κατεβάσετε τα εγχειρίδια web για αυτό το προϊόν στις παρακάτω τοποθεσίες web. (Λέξη-κλειδί : SM5D, SM3D, SM5KD)
Magyar	A termék internetes útmutatóját a következő weboldalakról töltheti le. (Kulcsszó : SM5D, SM3D, SM5KD)
Bahasa Indonesia	Anda dapat mengunduh manual web untuk produk ini di situs web berikut. (Kata kunci : SM5D, SM3D, SM5KD)
Italiano	È possibile scaricare i manuali online di questo prodotto dai seguenti siti Web. (Parola chiave : SM5D, SM3D, SM5KD)
Қазақша	Бұл өнімге арналған пайдаланушы нұсқаулығын төмендегі веб-сайттарынаң жүктеп алуға болады. (Негізгі сөз : SM5D, SM3D, SM5KD)
한국어	웹 매뉴얼을 통해 보다 상세한 제품정보를 확인 할 수 있습니다. 아래의 사이트를 참조하세요. (키워드 : SM5D, SM3D, SM5KD)
Nederlands	U kunt de internethandleidingen voor dit product vanaf de volgende websites downloaden. (Term : SM5D, SM3D, SM5KD)
Norsk	Du kan laste ned webhåndbøker for dette produktet fra de følgende webområdene. (Nøkkelord : SM5D, SM3D, SM5KD)

- World Wide : www.lg.com
- 한국 : www.lge.co.kr
- Brazil : www.lg.com/br
- 日本 : www.lg.com/jp



- Polski** Instrukcje obsługi tego produktu można pobrać na następujących stronach internetowych. (Słowo kluczowe : SM5D, SM3D, SM5KD)
- Português** Pode transferir os manuais na Internet deste produto nos websites que se seguem. (Palavra-chave : SM5D, SM3D, SM5KD)
- Русский** Онлайн-руководства для данного устройства можно скачать на следующих веб-сайтах. (Ключевое слово : SM5D, SM3D, SM5KD)
- Slovenčina** Webové príručky pre tento výrobok môžete stiahnuť na nasledujúcich webových stránkach. (Kľúčové slovo : SM5D, SM3D, SM5KD)
- Svenska** Du kan hämta produktens onlinehandböcker på följande webbplatser. (Nyckelord : SM5D, SM3D, SM5KD)
- 台灣語** 您可以於下列網站下載本產品的網頁手冊。
(關鍵字 : SM5D, SM3D, SM5KD)
- Türkçe** Bu ürünün web kılavuzlarını aşağıdaki web sitelerinden indirebilirsiniz. (Anahtar sözcük : SM5D, SM3D, SM5KD)
- Українська** Завантажити веб-посібники для цього виробу можна на веб-сайтах, поданих нижче. (Ключове слово : SM5D, SM3D, SM5KD)
- O'zbekcha** Ushbu mahsulot uchun qo'llanmalarni quyidagi veb-saytlarda yuklab olishingiz mumkin. (Kalit so'z : SM5D, SM3D, SM5KD)
- 日本語** この製品のWeb版取扱説明書は次のWebサイトからダウンロードできます。(キーワード : SM5D, SM3D, SM5KD)
- Português Do Brasil** Você pode fazer download dos manuais na Web deste produto nos seguintes sites. (Palavra-chave : SM5D, SM3D, SM5KD)

באפשרותך להוריד את מדריכי ההפעלה שבאינטרנט עבור מוצר זה
מאתרי האינטרנט הבאים. (SM5KD ,SM3D ,SM5D)

עברית

يمكنك تنزيل دلائل هذا المنتج الموجودة على الويب من مواقع الويب التالية.
(الكلمة الرئيسية : SM5KD ,SM3D ,SM5D)

العربية

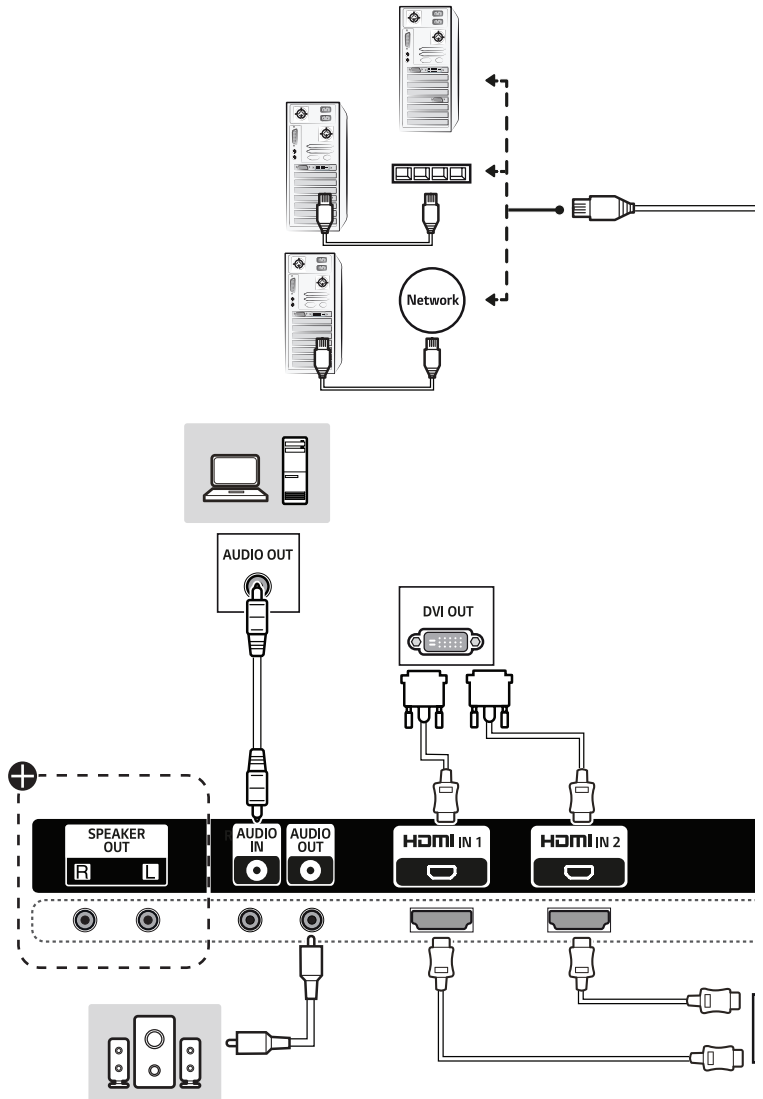
- World Wide : www.lg.com
- 한국 : www.lge.co.kr
- Brazil : www.lg.com/br
- 日本 : www.lg.com/jp



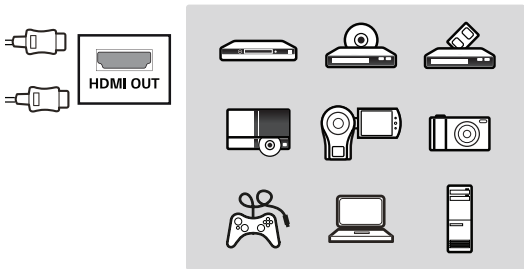
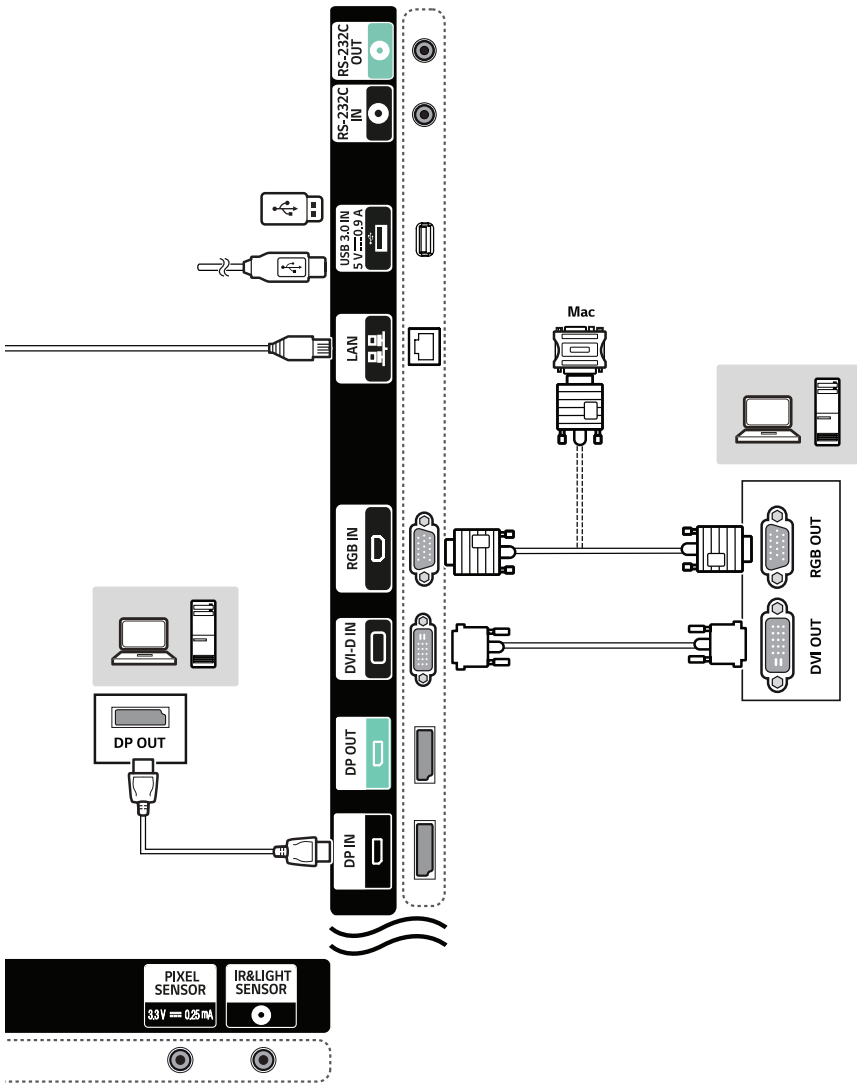
SuperSign : <http://partner.lge.com>



32SM5D	43SM5D	49SM5D	55SM5D
32SM5KD	43SM5KD	49SM5KD	55SM5KD
43SM3D	49SM3D	55SM3D	



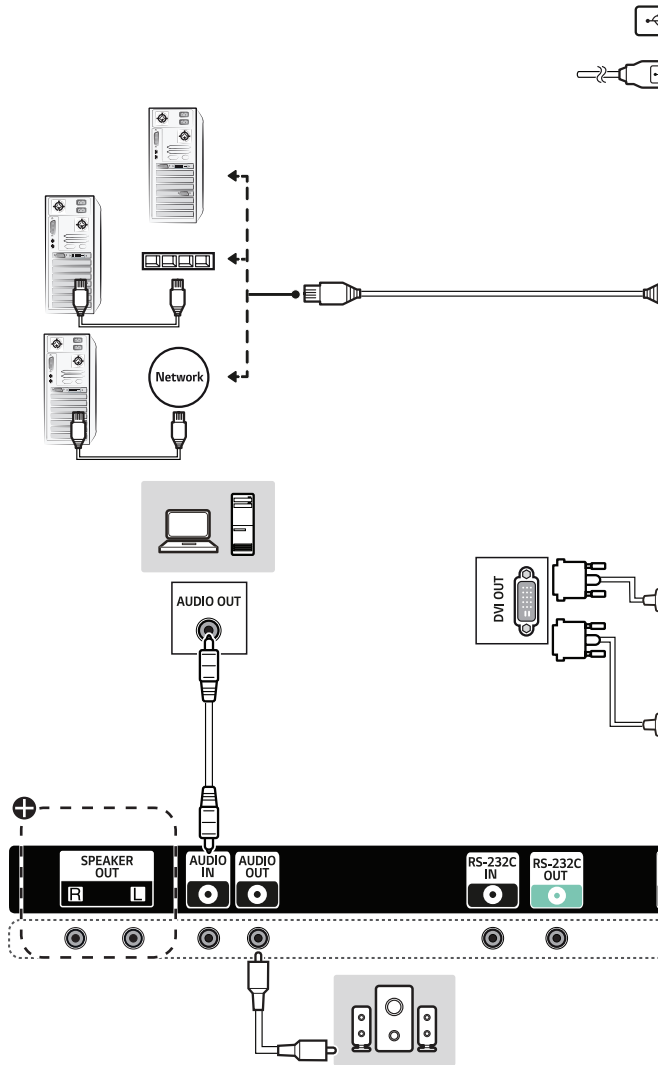
+ **SM5D, **SM3D



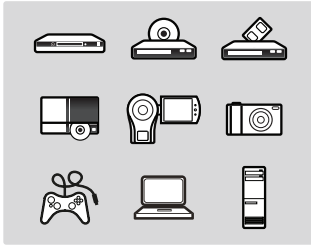
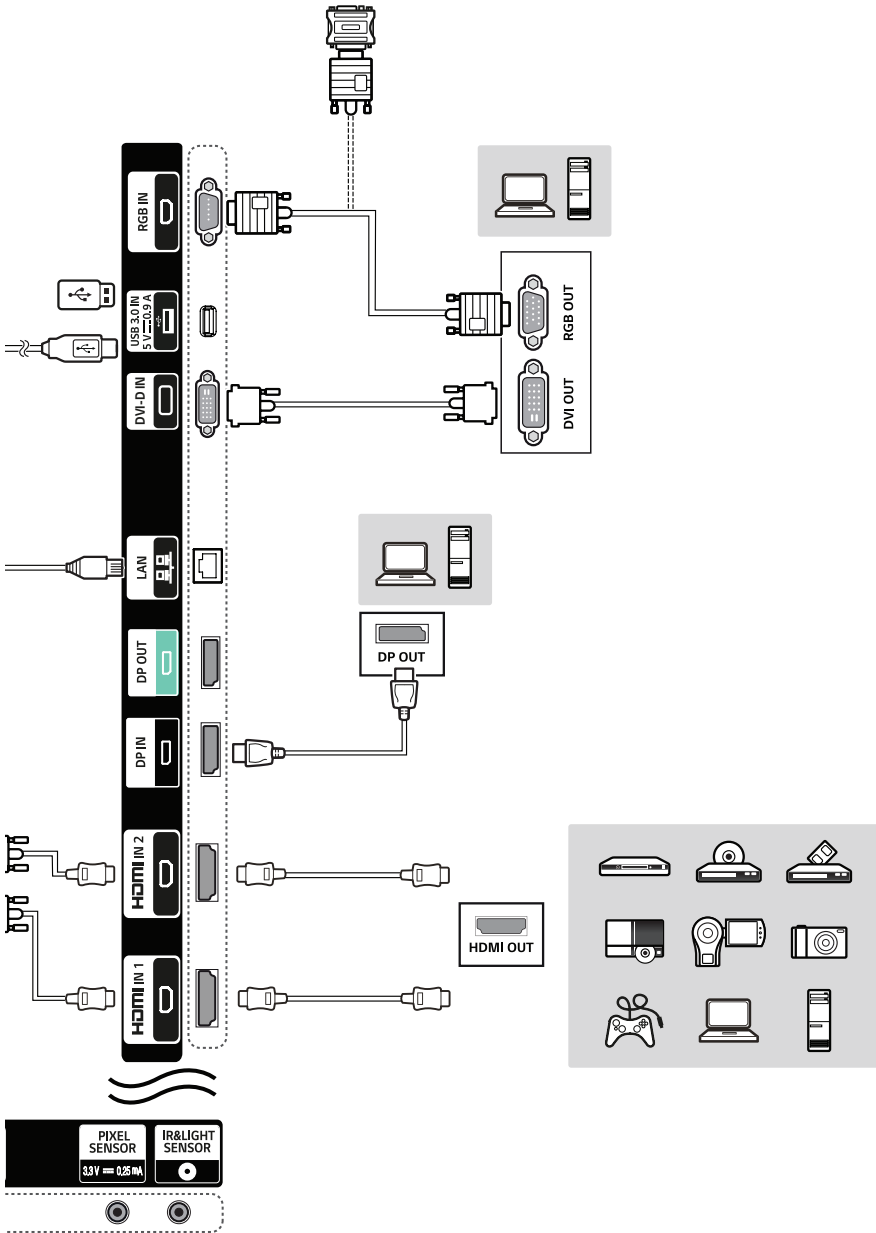


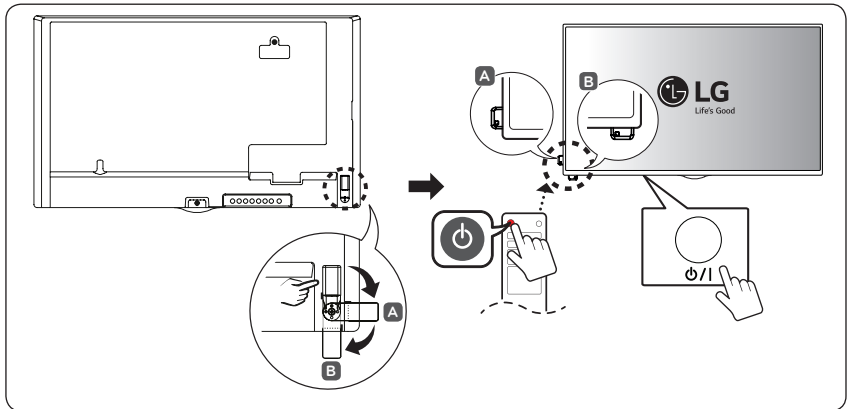
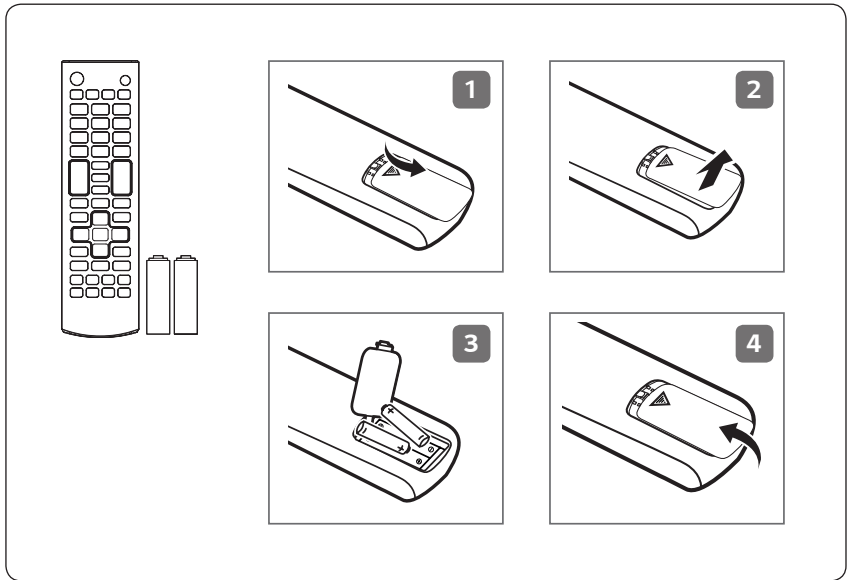
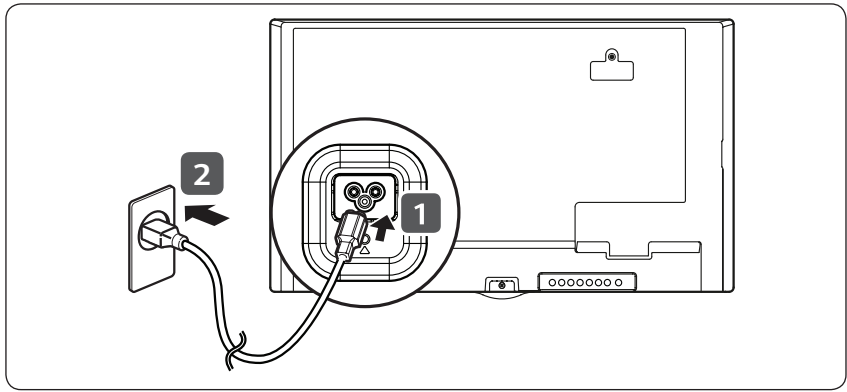
65SM5D

65SM5KD



⊕ 65SM5D





OWNER'S MANUAL

LG Digital Signage (MONITOR SIGNAGE)

Please read this manual carefully before operating your set and retain it for future reference.

32SM5D	43SM3D	32SM5KD
43SM5D	49SM3D	43SM5KD
49SM5D	55SM3D	49SM5KD
55SM5D		55SM5KD
65SM5D		65SM5KD

TABLE OF CONTENTS

SAFETY PRECAUTIONS3

- Precautions In Installing the Product.....3
- Precautions to the AC Adapter and Electrical Power5
- Precautions In Moving the Product7
- Precautions In Using the Product.....8
- Mounting on a Wall.....9

LICENSES..... 10

ASSEMBLY AND PREPARATION .. 11

- Optional Accessories.....12
- Parts and Buttons.....14
- Assembling the Memory Cover.....15
- Connecting the Stand.....16
- Connecting the Speakers18
- Connecting the IR Sensor21
- Portrait Layout.....22
- Attaching and removing the LG Logo Bracket23
- Installing on a Wall.....25

REMOTE CONTROL 27

MAKING CONNECTIONS..... 29

- Connecting to a PC.....29
- External Device Connection.....29
- Using the Input List31

TROUBLESHOOTING 32

PRODUCT SPECIFICATIONS 35

WARNING - This is a class A product. In a domestic environment this product may cause radio interference in which case the user may be required to take adequate measures.

SAFETY PRECAUTIONS

Please read these safety precautions carefully before using the product.

WARNING

If you ignore the warning message, you may be seriously injured or there is a possibility of accident or death.

CAUTION

If you ignore the caution message, you may be slightly injured or the product may be damaged.

WARNING

- Indoor Use Only.

Precautions In Installing the Product

WARNING

- Keep away from heat sources like electrical heaters.
 - Electrical shock, fire, malfunction, or deformation may occur.
- Keep the packing anti-moisture material or vinyl packing out of the reach of children.
 - Anti-moisture material is harmful if swallowed. If swallowed by mistake, force the patient to vomit and visit the nearest hospital. Additionally, vinyl packing can cause suffocation. Keep it out of the reach of children.
- Do not put heavy objects on the product or sit upon it.
 - If the product collapses or is dropped, you may be injured. Children must pay particular attention.
- Do not leave the power or signal cable unattended on the pathway.
 - The passerby can trip or fall, which can cause electrical shock, fire, product breakdown, or injury.
- Install the product in a neat and dry place.
 - Dust or moisture can cause electrical shock, fire or product damage.
- If you can smell smoke or other odors or hear a strange sound unplug the power cord and contact the service center.
 - If you continue to use without taking proper measures, electrical shock or fire can occur.
- If you dropped the product or the case is broken, turn off the product and unplug the power cord.
 - If you continue to use without taking proper measures, electrical shock or fire can occur. Contact the service center.

- Do not drop an object on or apply impact to the product. Do not throw any toys or objects on the product screen.
 - It can cause injury to human, problem to product and damage the display.
- Do not let the product fall or drop when connecting it with an external device.
 - This may cause injury and/or damage to the product.
- When connecting it to a game device, keep a distance of four times the diagonal measurement of the screen from the device.
 - If the product falls because of the short cable, this may cause injury and/or damage to the product.
- Leaving a fixed image on the screen for a long time may cause damage to the screen and cause image burn-in. To use the product for a long period of time, use a screen saver on the PC or utilize the residual image prevention function on the product, and when the product is not used, turn off the power. Burn-in and related problems are not covered by the warranty on this product.
- Do NOT install this product on a wall where there is high risk of exposure to oil fumes or mist.
 - This may damage product and cause it to fall.

CAUTION

- Make sure the product ventilation holes are not blocked. Install the product in a suitably wide place (more than 100 mm from the wall).
 - If you install the product too close to the wall, it may be deformed or fire can break out due to internal heat.
- Do not block the ventilation hole of the product by a tablecloth or curtain.
 - The product can be deformed or fire can break out due to overheating inside the product.
- Install the product on a flat and stable place that has no risk of dropping the product.
 - If the product is dropped, you may be injured or the product may be broken.
- Install the product where no EMI occurs.
- Keep the product away from direct sunlight.
 - The product can be damaged.
- If you install the product in a place that does not meet the recommended conditions, this may cause serious damage to the product's picture quality, life cycle, and appearance. Please check with LG or a qualified installer before installing. This caution applies to a place where there is an abundance of fine dust or oil mist, chemical substances are used, the temperature is very high or low, the humidity is very high, or the product is likely to remain turned on for a long period of time (airport and train station), failure to do so will invalidate the warranty.
- Do not install the product in an area with poor ventilation (e.g. on a bookshelf, in a closet) or outside and avoid placing on cushions or carpets.
- In addition, do not install it where there are heating objects such as lighting equipment.

Precautions to the AC Adapter and Electrical Power

WARNING

- If water or any foreign substance goes inside the product (TV, monitor, power cord, or AC adapter), disconnect the power cord immediately and contact the service center.
 - Otherwise, this may cause a fire or electric shock due to damage to the product.
- Do not touch the power plug or AC adapter with wet hands. If the pins of the plug are wet or dusty, wipe and dry them before use.
 - Otherwise, this may cause a fire or electric shock.
- Make sure to completely insert the power cord into the AC adapter.
 - If loosely connected, the poor connection may cause a fire or electric shock.
- Be sure to use power cords and AC adapters provided or approved by LG Electronics, Inc.
 - The use of non-approved products may cause a fire or electric shock.
- When unplugging the power cord, always pull it by the plug. Do not bend the power cord with excessive force.
 - The power line can be damaged, which may cause electric shock or fire.
- Be careful not to step or place heavy objects (electronic appliances, clothing, etc.) on the power cord or AC adapter. Be careful not to damage the power cord or AC adapter with sharp objects.
 - Damaged power cords may cause a fire or electric shock.
- Never disassemble, repair or modify the power cord or AC adapter.
 - This may cause a fire or electric shock.
- Make sure to connect the power cable to the grounded current.
 - You may be electrocuted or injured.
- Use the rated voltage only.
 - The product can be damaged, or you may be electrocuted.
- In the presence of thunder and lightning, never touch the power cord and signal cable because it can be very dangerous.
 - It can cause electric shock.
- Do not connect several extension cords, electrical appliances, or electrical heaters to a single outlet. Use a power strip with a grounding terminal designed for exclusive use with the computer.
 - A fire can break out due to overheating.
- Do not touch the power plug with wet hands. Additionally, if the cord pin is wet or covered with dust, dry the power plug completely or wipe dust off.
 - You may be electrocuted due to excess moisture.

- If you don't intend to use the product for a long time, unplug the power cable from the product.
 - Covering dust can cause a fire, or insulation deterioration can cause electric leakage, electric shock or fire.
- Fix the power cable completely.
 - If the power cable is not fixed completely, a fire can break out.
- Do not insert a conductor (like a metal chopstick) into one end of the power cable while the other end is connected to the input terminal on the wall. Additionally, do not touch the power cable right after plugging into the wall input terminal.
 - You may be electrocuted.
- The appliance coupler is used as the disconnect device.
- Please make sure the device is installed near the wall outlet to which it is connected and that the outlet is easily accessible.
- As long as this unit is connected to the AC wall outlet, it is not disconnected from the AC power source even if the unit is turned off.

 **CAUTION**

- Be sure to keep the outlet, AC adapter, and pins of the power plug clean from dust and etc.
 - This may cause a fire.
- Do not unplug the power cord while the product is in use.
 - Electrical shock can damage the product.
- Use only the power cord supplied with the unit. If you use another power cord, make sure that it is certified by the applicable national standards when not provided by the supplier. If the power cable is faulty in any way, please contact the manufacturer or the nearest authorized repair service provider for a replacement.

Precautions In Moving the Product

WARNING

- Make sure to turn off the product.
 - You may be electrocuted or the product can be damaged.
- Make sure to remove all cables before moving the product.
 - You may be electrocuted or the product can be damaged.
- Make sure the panel faces forward and hold it with both hands to move. If you drop the product, the damaged product can cause electric shock or fire. Contact an authorized the service center for repair.
- Make sure the product is turned off, unplugged, and all cables have been removed. It may take 2 or more people to carry larger apparatus. Do not press against or put stress on the front panel of the apparatus.

CAUTION

- Do not shock the product when moving it.
 - You may be electrocuted or the product can be damaged.
- Do not dispose the product-packing box. Use it when you move.

Precautions In Using the Product

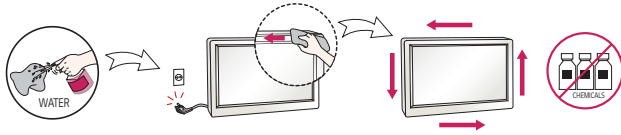
WARNING

- Do not disassemble, repair or modify the product at your own discretion.
 - Fire or electric shock accident can occur.
 - Contact the service center for check, calibration or repair.
- When the display is to be left unattended for an extended period of time, unplug it from the wall outlet.
- Keep the product away from water.
 - Fire or electric shock accident can occur.
- Do not shock or scratch the front and sides of the screen with metallic objects.
 - Otherwise, it may cause damage to the screen.
- Avoid high temperatures and humidity.

CAUTION

- Do not put or store inflammable substances near the product.
 - There is a danger of explosion or fire due to careless handling of the inflammable substances.
- When cleaning the product, unplug the power cord and scrub gently with a soft cloth to prevent scratching. Do not clean with a wet cloth or spray water or other liquids directly onto the product. An electric shock may occur. (Do not use chemicals such as benzene, paint thinners, or alcohol.)
- Take a rest from time to time to protect your vision.
- Keep the product clean at all times.
- Take a comfortable and natural position when working with a product to relax the muscles.
- Take a regular break when working with a product for a long time.
- Do not press strongly upon the panel with a hand or sharp object such as nail, pencil, or pen, or make a scratch on it.
- Keep the proper distance from the product.
 - Your vision may be impaired if you look at the product too closely.
- Set the appropriate resolution and clock by referring to the User's Guide.
 - Your vision can be impaired.
- Use authorized detergent only when cleaning the product. (Do not use benzene, thinner, or alcohol.)
 - Product can be deformed.
- Do not expose to dripping or splashing and do not place objects filled with liquids, such as vases, cups, etc. on or over the apparatus (e.g. on shelves above the unit).
- Batteries should not be exposed to excessive heat. For example, keep away from direct sunlight, open fireplace, and electric heaters.
- Do NOT place non-rechargeable batteries in charging device.
- Using headsets (earphones) for a long time or listening loudly can cause damage to your hearing.

- Spray water onto a soft cloth 2 to 4 times, and use it to clean the front frame; wipe in one direction only. Too much moisture may cause staining.



- Do not use products using high voltage around the Monitor. (e.g., a bug zapper)
 - Monitor may have malfunction as its electrical shock.

Mounting on a Wall

- Do NOT install this product by yourself as you may injure yourself or cause damage to product. Please contact service personnel authorised by manufacturer.

LICENSES

Supported licenses may differ by model. For more information of the licenses, visit www.lg.com.



The terms HDMI and HDMI High-Definition Multimedia Interface, and the HDMI logo are trademarks or registered trademarks of HDMI Licensing LLC in the United States and other countries.



Manufactured under license from Dolby Laboratories. Dolby, Dolby Vision, Dolby Audio, and the double-D symbol are trademarks of Dolby Laboratories.



For DTS patents, see <http://patents.dts.com>. Manufactured under license from DTS Licensing Limited. DTS, DTS-HD, the Symbol, & DTS or DTS-HD and the Symbol together are registered trademarks of DTS, Inc. © DTS, Inc. All Rights Reserved.

ASSEMBLY AND PREPARATION

CAUTION

- Always use genuine components to ensure safety and product performance.
- The product warranty will not cover damage or injury caused by the use of counterfeit components.

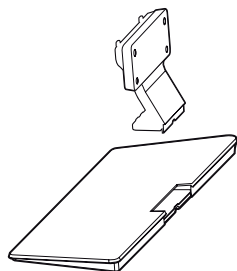
NOTE

- The accessories provided with your product may vary depending on the model or region.
- Product specifications or contents in this manual may be changed without prior notice due to upgrade of product functions.
- SuperSign Software & Manual
 - Downloading from the LG Electronics website.
 - Visit the LG Electronics website (<http://partner.lge.com>) and download the latest software for your model.
- The warranty will not cover any damage caused by using the product in an excessively dusty environment.

Optional Accessories

Without prior notice, optional accessories are subject to change to improve the performance of the product, and new accessories may be added. The illustrations in this manual may differ from the actual product and accessories.

Stand kit



Stand

ST-322T	32SM5*
ST-432T	43SM5*/43SM3D
ST-492T	49SM5*/55SM5*
	49SM3D/55SM3D
ST-652T	65SM5*

Stand Spacers

32SM5*	-
43SM5*	2 EA
43SM3D	
49SM5*	
49SM3D	
55SM5*	
55SM3D	
65SM5*	

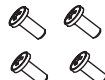
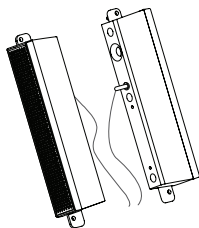
Screws

Diameter 4.0 mm x Pitch 0.7 mm

Model	Length (including spring washer)	Quantity
32SM5*	10 mm	6 EA
43SM5*	14 mm	8 EA
43SM3D		
49SM5*		
49SM3D		
55SM5*	16 mm	8 EA
55SM3D		
65SM5*		

Speaker kit

(Only for **SM5D/**SM3D model)



Speakers
SP-5000

**Cable holder/
Cable Tie**

Screws

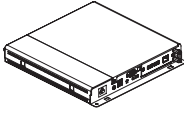
Diameter 4.0 mm x
Pitch 0.7 mm x Length 8 mm
(including spring washer)

Screws

Diameter 4.0 mm x
Pitch 1.6 mm x Length 10 mm

Media Player kit

(It may not be supported depending on the model.)



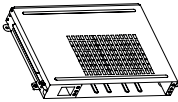
Media Player
MP500/ MP700



Screws
Diameter 3.0 mm x Pitch 0.5 mm
Length 6mm



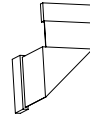
CD (Owner's Manual)/ Cards

OPS kit

KT-OPSA



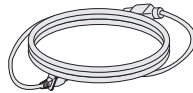
Screws
Diameter 3.0 mm x Pitch 0.5 mm
Length 8mm



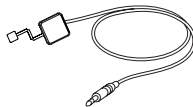
Connecting Cable



Card (Easy Setup Guide)



Power Cord

Pixel sensor kit

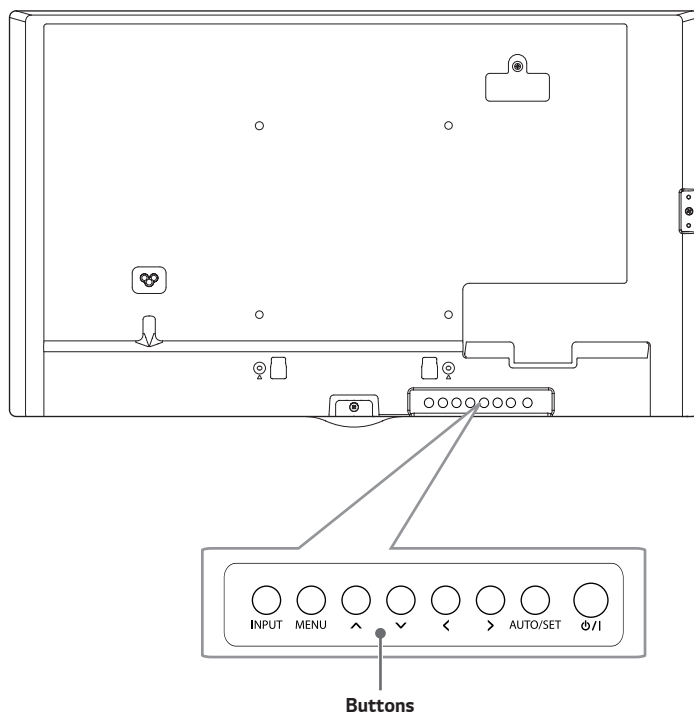
KT-SP0

NOTE

- Cable holder/cable tie may not be available in some areas or for some models.
- Optional accessories are available for some models. If necessary, please purchase them separately.
- Pixel sensor is sold separately. You can obtain additional accessories from your local retail store.
- Before you attach the OPS kit or Media Player, connect the cable to the port.

Parts and Buttons

The image may be different according to the model.

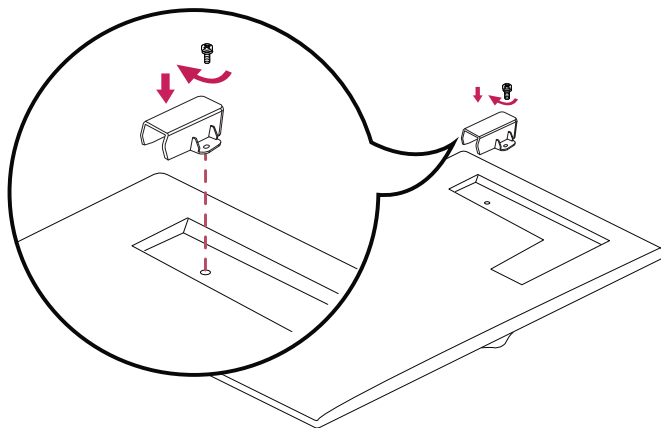


- **INPUT:** Changes the input source.
- **MENU:** Accesses the main menus, or saves your input and exits the menus.
- **▲▼:** Adjust the up and down.
- **◀▶:** Moves left and right.
- **AUTO/SET:** Displays the current signal and mode.
- **⏻/⏼:** Turns the power on or off.

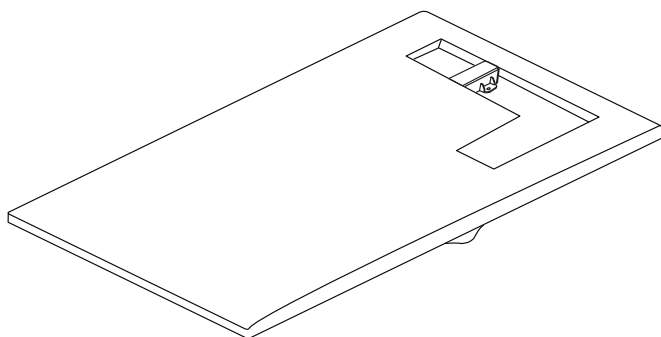
Assembling the Memory Cover

Assemble the cover with a screw as illustrated to prevent the USB memory from theft.

1

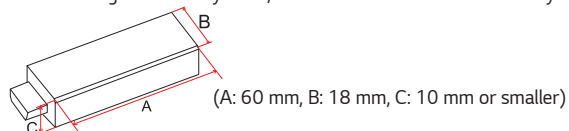


2



! NOTE

- 65SM5*
 - When disassembling the set, remove the memory cover before unplugging the cable.
 - When using the memory cover, check the size of the USB memory.

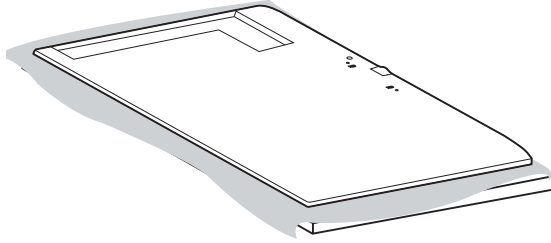


Connecting the Stand

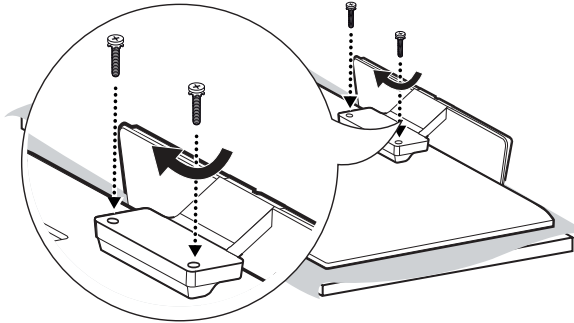
- For certain models only.
- The image may be different according to the model.

32SM5*

1

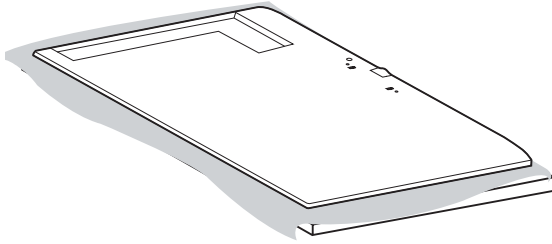


2

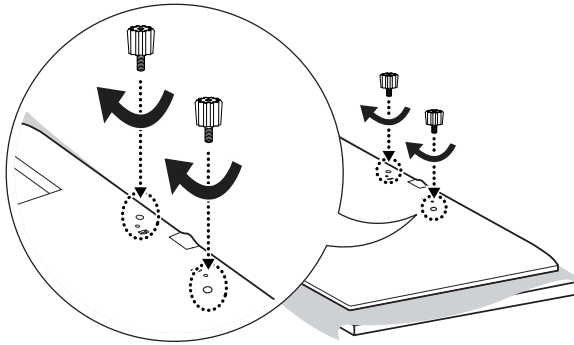


43/49/55/65SM5*, 43/49/55SM3D

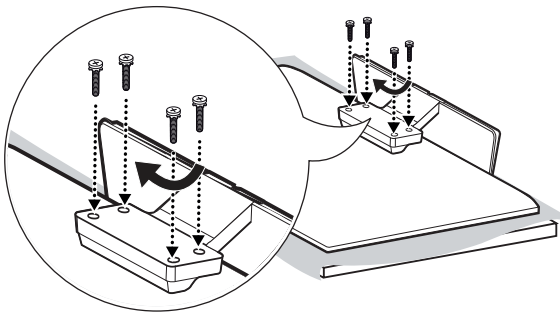
1



2



3

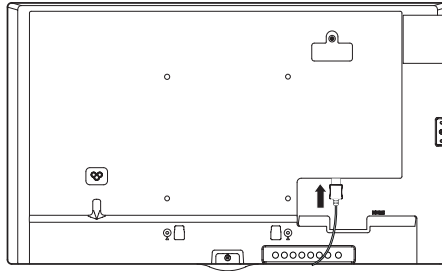


Connecting the Speakers

- For certain models only.
- The image may be different according to the model.

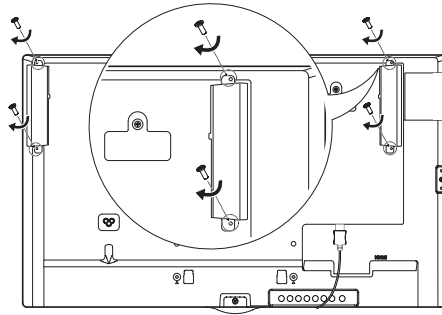
32SM5D

- 1 Connect an input signal cable before installing the speakers.

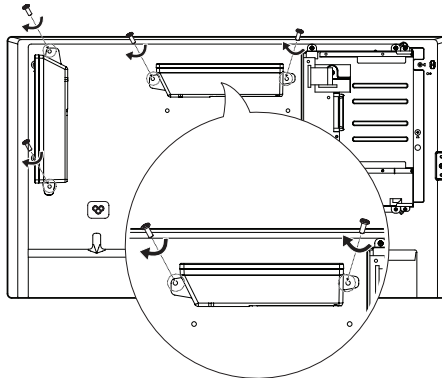


- 2 Mount the speakers by using screws as shown below. Make sure the power cable is disconnected before making a connection.

Basic installation

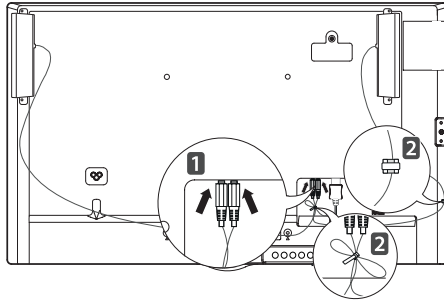


Installation with OPS connected

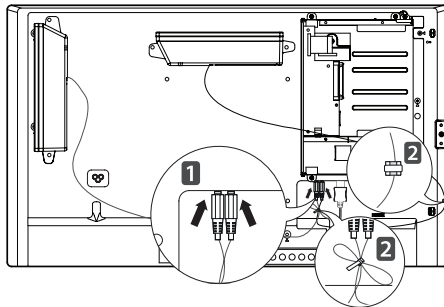


- 3 Then connect the speaker cable. After installing your speakers, use holders and cable ties to organize the speaker cables.

Basic installation

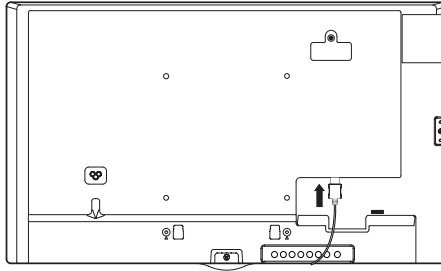


Installation with OPS connected

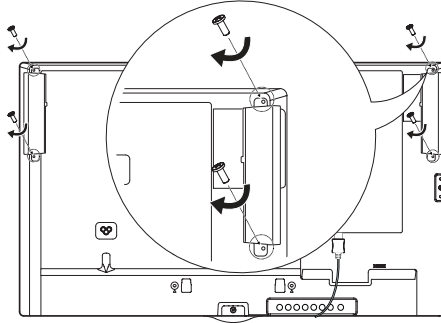


43/49/55/65SM5D, 43/49/55SM3D

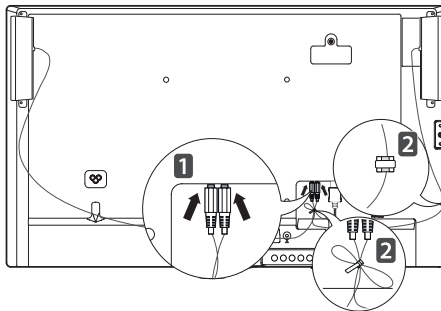
- 1 Connect an input signal cable before installing the speakers.



- 2 Mount the speakers by using screws as shown below. Make sure the power cable is disconnected before making a connection.



- 3 Then connect the speaker cable. After installing your speakers, use holders and cable ties to organize the speaker cables.

**! NOTE**

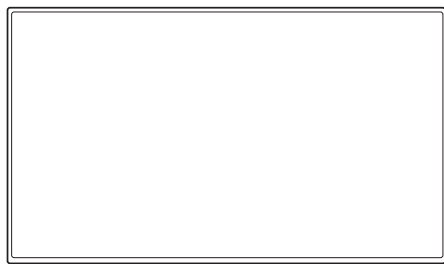
- Please turn off the power before removing the cable. Connecting or removing the speaker cable while turned on may result in no sound.

Connecting the IR Sensor

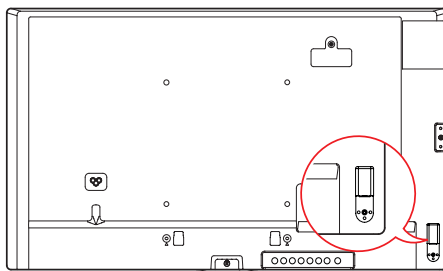
When you connect the cable to the product, the feature for receiving remote control signals is activated. Rotate the IR sensor according to the screen orientation (Landscape/Portrait).

- The image may be different according to the model.

Basic installation

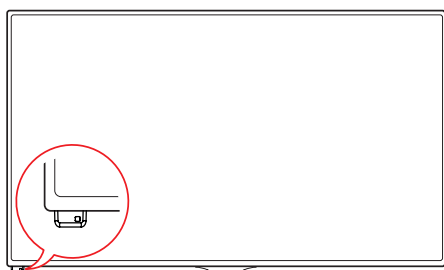


[Front]

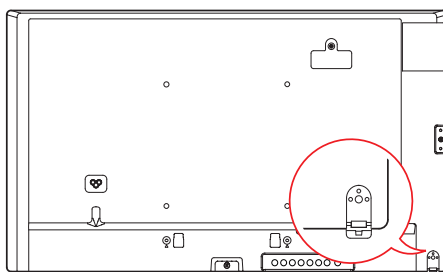


[Rear]

Landscape scene

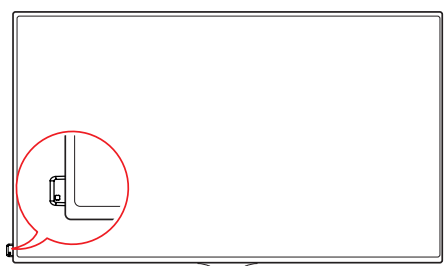


[Front]

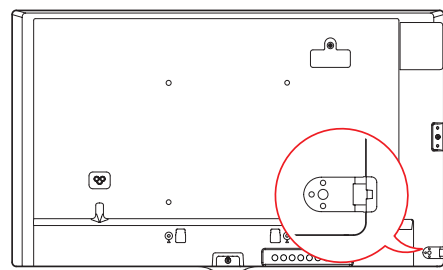


[Rear]

Portrait scene



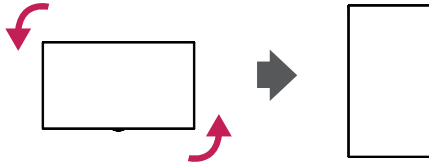
[Front]



[Rear]

Portrait Layout

When installing in a portrait layout, rotate the monitor counterclockwise 90 degrees (when facing the screen).

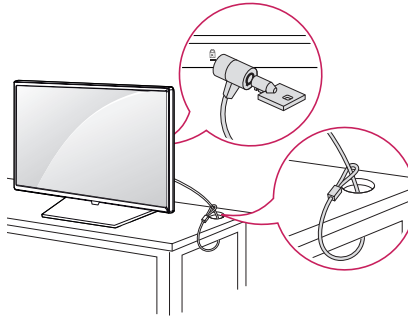


Using Kensington Lock

(This is not available for all models.)

The Kensington security system connector is located at the back of the monitor. For more information on installation and use of this system, refer to the manual provided with the Kensington security system or visit <http://www.kensington.com>.

Connect the Kensington security system cable between the monitor and a table.



! NOTE

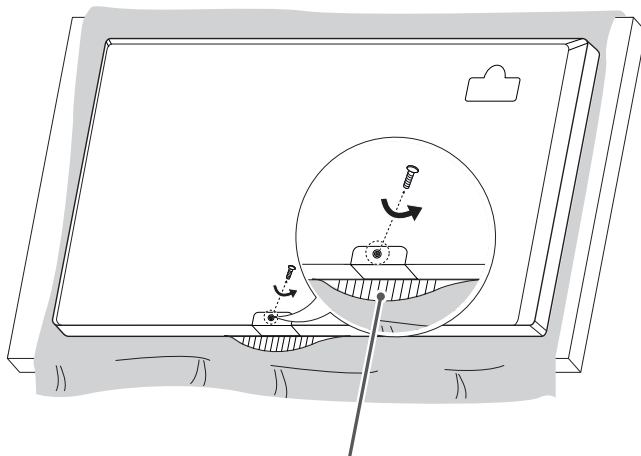
- The Kensington security system is optional. You can obtain additional accessories from most electronics retail stores.
- The illustration shows a general example of installation and may look different from the actual product.

Attaching and removing the LG Logo Bracket

- For certain models only.
- The image may be different according to the model.

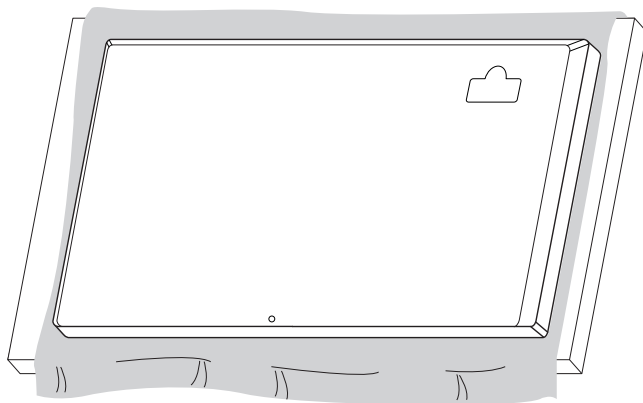
Removing the LG Logo Bracket

- 1 Lay a clean cloth on the floor, and then put the monitor on it with the screen face down. Using a screwdriver, remove the screw that secures the LG Logo Bracket to the bottom rear of the monitor.



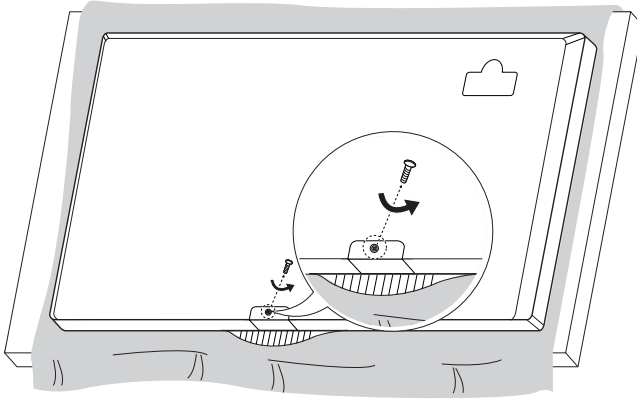
LG Logo Bracket

- 2 After removing the screw, remove the LG Logo Bracket. When re-attaching the LG Logo Bracket, repeat the process in reverse order.

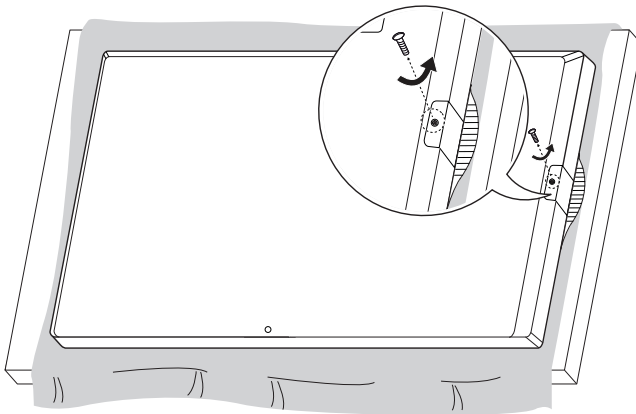


Attaching the LG Logo Bracket on the right side

- 1 Lay a clean cloth on the floor, and then put the monitor on it with the screen face down. Using a screwdriver, remove the screw that secures the LG Logo Bracket to the bottom rear of the monitor.

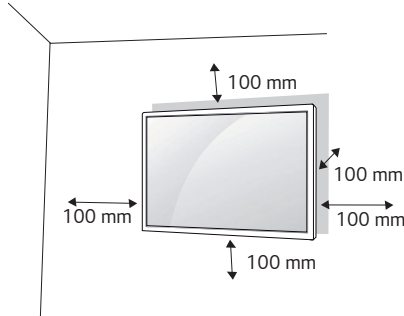


- 2 After removing the screw, remove the LG Logo Bracket. Attach the LG Logo Bracket with a screw, aligning it with the hole on the right side.



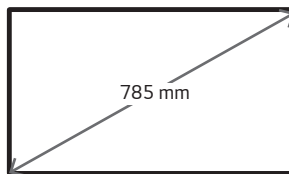
Installing on a Wall

For proper ventilation, allow a clearance of 100 mm on each side and from the wall. Detailed installation instructions are available from your dealer; see the optional Tilt Wall Mounting Bracket Installation and Setup Guide.



To install your monitor on a wall, attach a wall mounting bracket (optional part) to the back of the monitor. Make sure that the wall mounting bracket is securely fixed to the monitor and to the wall.

- 1 Use only screws and wall mounting brackets that conform to VESA standards.
- 2 Screws which are longer than standard length may damage the inside of the monitor.
- 3 A non-VESA standard screw may damage the product and cause the monitor to fall. LG Electronics is not liable for any accidents related to the use of non-standard screws.
- 4 Please use VESA standard as below.
 - 785 mm and above
 - * Fixing screws: Diameter 6.0 mm x Pitch 1.0 mm x Length 12 mm



 **CAUTION**

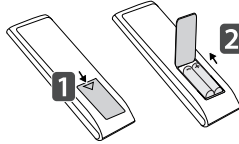
- Disconnect the power cord before moving or installing the monitor to avoid risk of electric shock.
- If you install the monitor on a ceiling or slanted wall, it may fall and result in injury. Use an authorized LG wall mount and contact your local dealer or qualified personnel to assist with the installation.
- Do not over tighten the screws as this may damage the monitor and void your warranty.
- Use only screws and wall mounting brackets that meet the VESA standard. Any damage or injuries caused by misuse or use of improper accessories are not covered by the warranty.
- To prevent injury, this apparatus must be securely attached to the wall in accordance with the installation instructions. (This pertains only to Australia and New Zealand.)

 **NOTE**

- The wall mount kit includes the installation guide and all necessary parts.
- The wall mounting bracket is optional. You can obtain additional accessories from your local dealer.
- The length of screws required may differ depending on the wall mount. Be sure to use the correct length.
- For more information, please refer to the guide provided with the wall mount.

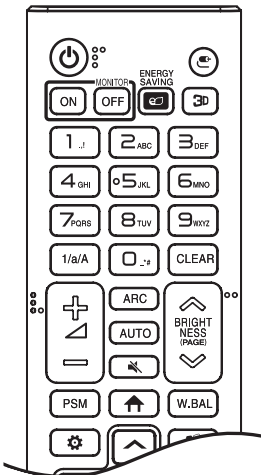
REMOTE CONTROL

The descriptions in this manual are based on the buttons on the remote control. Please read this manual carefully to use the monitor correctly. To install batteries, open the battery cover, place batteries (1.5 V AAA) matching ⊕ and ⊖ terminals to the labels inside the compartment, and close the battery cover. To remove the batteries, perform the installation actions in reverse. The illustrations may differ from the actual accessories.



⚠ CAUTION

- Do not mix old and new batteries, as this may damage the remote control.
- Be sure to point the remote control toward the remote control sensor on the monitor.
- Some features of the remote control may not be supported in certain models.



⏻ (POWER) Turns the monitor on or off.

MONITOR ON Turns the monitor on.

MONITOR OFF Turns the monitor off.

ENERGY SAVING Adjusts the brightness of the picture to reduce energy consumption.

Selects the input mode.

Used for viewing 3D videos.

1/a/A Toggles between numerical and alphabetical.

Number and Alphabet buttons

Enters numerical or alphabetical characters depending upon the setting.

CLEAR Deletes the entered numerical or alphabetical character.

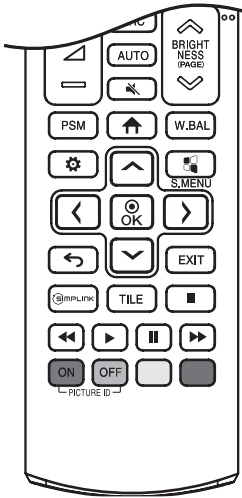
Volume Up/Down Button Adjusts the volume.

ARC Selects the Aspect Ratio mode.

AUTO Automatically adjusts picture position and minimizes image instability (available for RGB input only).

Mutes all sounds.

BRIGHTNESS Adjusts the brightness of the display. PAGE function is not supported in this model.



PSM Selects the Picture Mode.

↑ Activates the Launcher.

W.BAL Enters the White Balance menu.

⚙️ Accesses the main menus or saves your input and exit menus.

S.MENU SuperSign menu key.

Navigation Buttons Scrolls through menus or options.

⏹️ Selects menus or options and confirms your input.

↶ Allows you to move back one step in the user interaction function.

EXIT Quit all OSD tasks and applications.

SIMPLINK Allows you to control various multimedia devices to enjoy multimedia simply by using the remote control through the SimplLink menu.

TILE Selects the TILE Mode.

PICTURE ID ON/OFF When the Picture ID number matches the Set ID number, you can control whichever monitor you want in multi-display format.

USB Menu Control Buttons Controls media playback.

⏮️ ⏪ ⏩ ⏭ Trick key May not be supported on some models.

MAKING CONNECTIONS

You can connect various external devices to your monitor. Change the input mode and select the external device you want to connect. For more information about external device connections, see the user manual provided with each device.

Connecting to a PC

Some of the cables are not provided.

This monitor supports the Plug and Play* feature.

* Plug and Play: a feature that enables a PC to recognize devices attached by the user without device configuration or user intervention when powering up.

External Device Connection

Connect a HD receiver, DVD, or VCR player to the monitor and select an appropriate input mode.

Some of the cables are not provided. For the best picture and sound quality, connecting external devices to your monitor using HDMI cables is recommended.

! NOTE

- For the best image quality, using the monitor with HDMI connection is recommended.
- To comply with the specifications of the product, use a shielded interface cable with ferrite core, such as a D-sub 15-pin cable and DVI-D/HDMI cable.
- If you turn the monitor on when the set is cold, the screen may flicker. This is normal.
- Sometimes red, green, or blue spots may appear on the screen. This is normal.
- Use a High Speed HDMI®/TM cable.
- Use a certified cable with the HDMI logo attached. If you do not use a certified HDMI cable, the screen may not display or a connection error may occur.
- Recommended HDMI Cable Types
 - High-Speed HDMI®/TM Cable
 - High-Speed HDMI®/TM Cable with Ethernet
- If you cannot hear any sound in HDMI mode please check your PC settings. Some PCs require you to manually change the default audio output to HDMI.
- If you want to use HDMI-PC mode, you must set your PC/DTV to PC mode.
- You may experience compatibility issues if you use HDMI-PC mode.
- Make sure the power cable is disconnected.
- If you connect a gaming device to the monitor, use the cable provided with the gaming device.
- It is recommended to use the speakers that are provided as optional accessories.
- High Speed HDMI®/TM cables transmit a HD signal up to 1080p and higher.

⚠ CAUTION

- Connect the signal input cable and tighten it by turning the screws clockwise.
- Do not press the screen with your finger for a prolonged period as this may result in temporary distortion on the screen.
- Avoid displaying static images on the screen for a long period of time to prevent image burn. Use a screensaver if possible.
- A wireless communication device near your monitor can affect the image.

Using the Input List



- RGB → HDMI1 → HDMI2 → OPS / DVI-D → DISPLAYPORT

TROUBLESHOOTING

No image is displayed.

Problem	Action
Is the product power cord connected?	<ul style="list-style-type: none"> • Check if the power cord is correctly plugged into the power outlet.
Does the "Invalid Format" message appear?	<ul style="list-style-type: none"> • The signal from the PC (Graphics card) is out of the vertical or horizontal frequency range of the product. Adjust the frequency range by referring to the Specifications in this manual.
Does the "No Signal" message appear?	<ul style="list-style-type: none"> • The signal cable between PC and product is not connected. Check the signal cable. • Press the INPUT menu in the remote control to check the input signal.

The Unknown Product message appears when the product is connected.

Problem	Action
Did you install the driver?	<ul style="list-style-type: none"> • Check if the Plug and Play function is supported by referring to the graphics card user manual.

The screen image looks abnormal.

Problem	Action
Is the screen position wrong?	<ul style="list-style-type: none"> • Check if the graphics card resolution and frequency are supported by the product. If the frequency is out of range, set to the recommended resolution in the [Control Panel] → [Display] → [Setting] menu. (The settings may differ depending on your operating system.)
The screen is displayed abnormally.	<ul style="list-style-type: none"> • The proper input signal is not connected to the signal port. Connect the signal cable that matches with the source input signal.

After-image appears on the product.

Problem	Action
After-image appears when the product is turned off.	<ul style="list-style-type: none"> • If you use a fixed image for a long time, the pixels may be damaged. Use the screen-saver function. • When a dark image is displayed on the screen after an image with high contrast (black and white or gray), this may cause image sticking. This is normal for LCD screen products.

The audio function does not work.

Problem	Action
No sound?	<ul style="list-style-type: none"> • See if the audio cable is connected properly. • Adjust the volume. • See if the sound is set properly.
Sound is too dull.	<ul style="list-style-type: none"> • Select the appropriate equalizer sound.
Sound is too low.	<ul style="list-style-type: none"> • Adjust the volume.

Screen color is abnormal.

Problem	Action
Screen has poor color resolution (16 colors).	<ul style="list-style-type: none"> • Set the number of colors to more than 24 bits (true color). Select [Control Panel] → [Display] → [Settings] → [Color Table] in Windows. (The settings may differ depending on your operating system.)
Screen color is unstable or mono-colored.	<ul style="list-style-type: none"> • Check the connection status of the signal cable. Or, re-insert the PC graphics card.
Do black spots appear on the screen?	<ul style="list-style-type: none"> • Several pixels (red, green, blue, white, or black color) may appear on the screen, which can be attributable to the unique characteristics of the LCD panel. This is not a malfunction of the LCD.

The operation does not work normally.

Problem	Action
The power suddenly turned off.	<ul style="list-style-type: none"> • Is the Timer set? • Check the power control settings. Power interrupted.

! CAUTION

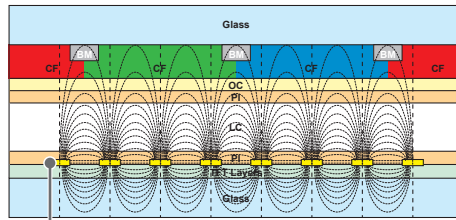
- Image sticking does not occur when using constantly changing images but may occur when using a fixed image for an extended period of time. Therefore, it is recommended that you use the instructions below to decrease the likelihood of image sticking occurring when using a fixed image. It is recommended that you change the screen at least once every 12 hours at the very minimum; if done more frequently, the prevention of image sticking is more effective.

Recommended operating conditions

- 1 Change the background and the character colors using the same time interval.

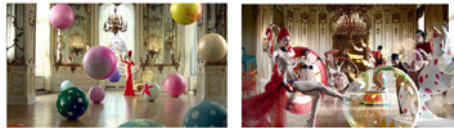


When changing colors, using complementary colors helps to prevent image sticking.



ITO or MoTi Pixel Layer

- 2 Change the image using the same time interval.



Make sure that the characters or images before changing the image remain in the same location after changing the image.

What is image sticking?

When the LCD panel displays a static image for an extended period of time, it can cause a voltage difference between the electrodes that operate the liquid crystals. When the voltage difference between the electrodes builds up over time, liquid crystals have a tendency to remain aligned in one direction. During this process, a previously displayed image remains visible. This phenomenon is referred to as image sticking.

PRODUCT SPECIFICATIONS

The product specifications below may be changed without prior notice due to upgrade of product functions.
 “~” refers to alternating current (AC), and “—” refers to direct current (DC).

LCD screen	Screen type	Thin Film Transistor (TFT) Liquid Crystal Display (LCD) Screen
Video signal	Maximum resolution	3840 x 2160 @ 30 Hz (HDMI1, HDMI2, DP) 1920 x 1080 @ 60 Hz (OPS, DVI-D, RGB) - This may not be supported on some OS or graphics card types.
	Recommended resolution	1920 x 1080 @ 60 Hz - This may not be supported on some OS or graphics card types.
	Horizontal frequency	RGB: 30 kHz to 83 kHz HDMI/ DVI-D/ DisplayPort: 30 kHz to 83 kHz
	Vertical frequency	RGB: 56 Hz to 75 Hz DVI-D/ OPS: 56 ~ 60 Hz HDMI/ DP: 30Hz, 56 ~ 60Hz
	Synchronization	Separate Sync, Digital
Input/output ports	**SM5D/ **SM3D	SPEAKER OUT, AUDIO IN/OUT, HDMI1, HDMI2, PIXEL SENSOR, IR & LIGHT SENSOR, DP IN/OUT, DVI-D IN, RGB IN, LAN, USB3.0 IN, RS-232 IN/OUT
	**SM5KD	AUDIO IN/OUT, HDMI1, HDMI2, PIXEL SENSOR, IR & LIGHT SENSOR, DP IN/OUT, DVI-D IN, RGB IN, LAN, USB3.0 IN, RS-232 IN/OUT
Embedded battery		Applied
Environmental Conditions	Operating Temperature	0 °C to 40 °C
	Operating Humidity	10 % to 80 %
	Storage Temperature	-20 °C to 60 °C
	Storage Humidity	5 % to 85 %

* Applicable only for models that support the speakers

Audio	RMS Audio Output	10 W + 10 W (R + L)
	Input Sensitivity	0.7 Vrms
	Speaker Impedance	6 Ω

* DP Cable: Use a DP cable that is certified to a DP 1.1a (SST) standard or higher.

32SM5D

LCD screen	Pixel pitch	0.36375 mm (H) x 0.36375 mm (V)
Power	Rated power	AC 100-240 V ~ 50/60 Hz 0.8 A
	Power consumption	On Mode: 60 W (Typ.) Sleep Mode: ≤ 0.5 W Off Mode: ≤ 0.5 W
Dimensions (Width x Height x Depth) / Weight	Head	729.4 mm x 428.9 mm x 55.5 mm / 5.2 kg
	Head + Stand	729.4 mm x 481 mm x 154.2 mm / 6 kg
	Head + Speaker	729.4 mm x 428.9 mm x 95.7 mm / 5.7 kg
	Head + Speaker + Stand	729.4 mm x 481 mm x 154.2 mm / 6.5 kg

32SM5KD

LCD screen	Pixel pitch	0.36375 mm (H) x 0.36375 mm (V)
Power	Rated power	AC 100-240 V ~ 50/60 Hz 0.8 A
	Power consumption	On Mode: 60 W (Typ.) Sleep Mode: ≤ 0.5 W Off Mode: ≤ 0.5 W
Dimensions (Width x Height x Depth) / Weight	Head	729.4 mm x 428.9 mm x 55.5 mm / 5.4 kg
	Head + Stand	729.4 mm x 481 mm x 154.2 mm / 6.2 kg

43SM5D, 43SM3D

LCD screen	Pixel pitch	0.4902 mm (H) X 0.4902 mm (V)
Power	Rated power	AC 100-240 V ~ 50/60 Hz 0.9 A
	Power consumption	43SM5D On Mode: 75 W (Typ.) Sleep Mode: ≤ 0.5 W Off Mode: ≤ 0.5 W
		43SM3D On Mode: 70 W (Typ.) Sleep Mode: ≤ 0.5 W Off Mode: ≤ 0.5 W
Dimensions (Width x Height x Depth) / Weight	Head	969.6 mm x 563.9 mm x 38.6 mm / 9.8 kg
	Head + Stand	969.6 mm x 622.2 mm x 193 mm / 12.3 kg
	Head + Speaker	969.6 mm x 563.9 mm x 67.9 mm / 10.3 kg
	Head + Speaker + Stand	969.6 mm x 622.2 mm x 193 mm / 12.8 kg

43SM5KD

LCD screen	Pixel pitch	0.4902 mm (H) X 0.4902 mm (V)
Power	Rated power	AC 100-240 V ~ 50/60 Hz 0.9 A
	Power consumption	On Mode: 75 W (Typ.) Sleep Mode: ≤ 0.5 W Off Mode: ≤ 0.5 W
Dimensions (Width x Height x Depth) / Weight	Head	969.6 mm x 563.9 mm x 54 mm / 10.0 kg
	Head + Stand	969.6 mm x 622.2 mm x 193 mm / 12.5 kg

49SM5D, 49SM3D

LCD screen	Pixel pitch	0.55926 mm (H) X 0.55926 mm (V)	
Power	Rated power	AC 100-240 V ~ 50/60 Hz 1.0 A	
	Power consumption	49SM5D	On Mode: 85 W (Typ.) Sleep Mode: ≤ 0.5 W Off Mode: ≤ 0.5 W
		49SM3D	On Mode: 80 W (Typ.) Sleep Mode: ≤ 0.5 W Off Mode: ≤ 0.5 W
Dimensions (Width x Height x Depth) / Weight	Head	1102.2 mm x 638.5 mm x 38.6 mm / 14.1 kg	
	Head + Stand	1102.2 mm x 696.8 mm x 219.6 mm / 17.4 kg	
	Head + Speaker	1102.2 mm x 638.5 mm x 67.9 mm / 14.6 kg	
	Head + Speaker + Stand	1102.2 mm x 696.8 mm x 219.6 mm / 17.9 kg	

49SM5KD

LCD screen	Pixel pitch	0.55926 mm (H) X 0.55926 mm (V)	
Power	Rated power	AC 100-240 V ~ 50/60 Hz 1.0 A	
	Power consumption	On Mode: 85 W (Typ.) Sleep Mode: ≤ 0.5 W Off Mode: ≤ 0.5 W	
Dimensions (Width x Height x Depth) / Weight	Head	1102.2 mm x 638.5 mm x 54 mm / 14.3 kg	
	Head + Stand	1102.2 mm x 696.8 mm x 219.6 mm / 17.6 kg	

55SM5D, 55SM3D

LCD screen	Pixel pitch	0.630 mm (H) x 0.630 mm (V)	
Power	Rated power	AC 100-240 V ~ 50/60 Hz 1.1 A	
	Power consumption	55SM5D	On Mode: 100 W (Typ.) Sleep Mode: ≤ 0.5 W Off Mode: ≤ 0.5 W
		55SM3D	On Mode: 95 W (Typ.) Sleep Mode: ≤ 0.5 W Off Mode: ≤ 0.5 W
Dimensions (Width x Height x Depth) / Weight	Head	1238 mm x 714.9 mm x 38.6 mm / 17.3 kg	
	Head + Stand	1238 mm x 773.4 mm x 219.6 mm / 20.6 kg	
	Head + Speaker	1238 mm x 714.9 mm x 67.9 mm / 17.8 kg	
	Head + Speaker + Stand	1238 mm x 773.4 mm x 219.6 mm / 21.1 kg	

55SM5KD

LCD screen	Pixel pitch	0.630 mm (H) x 0.630 mm (V)	
Power	Rated power	AC 100-240 V ~ 50/60 Hz 1.1 A	
	Power consumption	On Mode: 100 W (Typ.) Sleep Mode: ≤ 0.5 W Off Mode: ≤ 0.5 W	
Dimensions (Width x Height x Depth) / Weight	Head	1238 mm x 714.9 mm x 54 mm / 17.5 kg	
	Head + Stand	1238 mm x 773.4 mm x 219.6 mm / 20.8 kg	

65SM5D

LCD screen	Pixel pitch	0.744 mm (H) x 0.744 mm (V)
Power	Rated power	AC 100-240 V ~ 50/60 Hz 1.4 A
	Power consumption	On Mode: 120 W (Typ.) Sleep Mode: ≤ 0.5 W Off Mode: ≤ 0.5 W
Dimensions (Width x Height x Depth) / Weight	Head	1456.9 mm x 838 mm x 41.1 mm / 27.7 kg
	Head + Stand	1456.9 mm x 898.1 mm x 293.7 mm / 32.9 kg
	Head + Speaker	1456.9 mm x 838 mm x 70.4 mm / 28.2 kg
	Head + Speaker + Stand	1456.9 mm x 898.1 mm x 293.7 mm / 33.4 kg

65SM5KD

LCD screen	Pixel pitch	0.744 mm (H) x 0.744 mm (V)
Power	Rated power	AC 100-240 V ~ 50/60 Hz 1.4 A
	Power consumption	On Mode: 120 W (Typ.) Sleep Mode: ≤ 0.5 W Off Mode: ≤ 0.5 W
Dimensions (Width x Height x Depth) / Weight	Head	1456.9 mm x 838 mm x 56.5 mm / 27.9 kg
	Head + Stand	1456.9 mm x 898.1 mm x 293.7 mm / 33.1 kg

Wireless module(LGSBW41)Specifications	
Wireless LAN (IEEE 802.11a/b/g/n)	
Frequency range (MHz)	Output power (Max.)
2400 to 2483.5	16 dBm
5150 to 5250	16 dBm
5725 to 5850 (Not for EU)	11.5 dBm
Bluetooth	
Frequency range (MHz)	Output power (Max.)
2400 to 2483.5	10 dBm
<ul style="list-style-type: none"> As band channels can vary per country, the user cannot change or adjust the operating frequency. This product is configured for the regional frequency table. For consideration of the user, this device should be installed and operated with a minimum distance of 20 cm between the device and the body. 	

(Only HongKong)

Wireless module(LGSBW41)Specifications			
Wireless LAN		Bluetooth	
Standard	IEEE 802.11a/b/g/n	Standard	Bluetooth
Frequency range (MHz)	2400 to 2483.5 5150 to 5250 5725 to 5850	Frequency range (MHz)	2400 to 2483.5
Output power (Max.)	802.11a: 13 dBm 802.11b: 15 dBm 802.11g: 14 dBm 802.11n - 2.4GHz: 16 dBm 802.11n - 5GHz: 16 dBm	Output power (Max.)	10 dBm or Lower
<ul style="list-style-type: none"> As band channels can vary per country, the user cannot change or adjust the operating frequency. This product is configured for the regional frequency table. For consideration of the user, this device should be installed and operated with a minimum distance of 20 cm between the device and the body. 			

RGB (PC) Support Mode

Resolution	Horizontal frequency (kHz)	Vertical frequency (Hz)
720 x 400	31.468	70.8
640 x 480	31.469	59.94
800 x 600	37.879	60.317
1024 x 768	48.363	60.0
1280 x 720	44.772	59.855
1600 x 900	60	60
1280 x 1024	63.981	60.02
1680 x 1050	65.29	59.954
1920 x 1080	67.5	60

HDMI/ DVI-D/ DisplayPort/ OPS (PC) Support mode

Resolution	Horizontal frequency (kHz)	Vertical frequency (Hz)	Remarks
800 x 600	37.879	60.317	
1024 x 768	48.363	60	
1280 x 720	44.772	59.855	
1366 x 768	47.7	60	
1280 x 1024	63.981	60.02	
1680 x 1050	65.290	59.954	
1920 x 1080	67.5	60	
3840 x 2160	67.5	30	HDMI1/ HDMI2/ DP

HDMI/ DisplayPort/ OPS (DTV) Support Mode

Resolution	Horizontal frequency (kHz)	Vertical frequency (Hz)	Remarks
480/60p	31.5	60	
576/50p	31.25	50	
720/50p	37.5	50	
720/60p	45	60	
1080/50i	28.1	50	
1080/60i	33.75	60	
1080/50p	56.25	50	
1080/60p	67.432	59.94	
1080/60p	67.5	60	
2160/30p	67.5	30	HDMI1/ HDMI2/ DP

! NOTE

- PC resolutions available for the Input Label option in RGB / HDMI / DVI-D / DisplayPort input modes: 640 x 480/60 Hz, 1280 x 720/60 Hz, 1920 x 1080/60 Hz; 480p, 720p, and 1080p DTV resolutions.
- Vertical frequency: The product display functions by the screen image changing dozens of times every second like a fluorescent lamp.
The vertical frequency or refresh rate is the number of image displays per second. The unit is Hz.
- Horizontal frequency: The horizontal interval is the time taken to display one horizontal line. When 1 is divided by the horizontal interval, the number of horizontal lines displayed every second can be tabulated as the horizontal frequency. The unit is kHz.



ENERGY STAR® is a set of power-saving guidelines issued by the U.S. Environmental Protection Agency (EPA). As an ENERGY STAR® Partner LGE U. S. A., Inc. has determined that this product meets the ENERGY STAR® guidelines for energy efficiency.

Refer to ENERGYSTAR.gov for more information on the ENERGY STAR® program.

Make sure to read the Safety Precautions before using the product.

The model and serial numbers of the SET are located on the back and one side of the SET. Record it below should you ever need service.

MODEL _____
SERIAL _____

Temporary noise is normal when powering ON or OFF this device.

USER MANUAL

LG Digital Signage

(MONITOR SIGNAGE)

Please read this manual carefully before operation and retain it for future reference.

webOS 3.2

CONTENTS

SETTINGS4

- Home.....	4
Global Buttons	
Dashboard	
Content Manager	
- Ez Setting.....	5
Video Wall	
On/Off Scheduler	
SI Server Setting	
Server Setting	
Fail Over	
Status Mailing	
Play via URL	
Setting Data Cloning	
Sync Mode	
Multi Screen	
- General.....	10
Language	
System Information	
Set ID	
Time & Date	
Power	
Network	
Safety Mode	
Expert Controls	
- Display.....	21
Picture Mode	
Aspect Ratio	
Rotation	
Expert Controls	
- Sound.....	27
Sound Mode	
Sound Out	
Audio Out	
Volume Increase Amount	
AV Sync. Adjustment	
Digital Audio Input	
- Admin.....	30
Lock Mode	
Change PIN Code	
Enterprise Settings	
Reset to Initial Settings	
Factory Reset	

CONTENT MANAGER 32

- Web Login.....32
- Content Manager32
 - Player
 - Schedules
 - Template
- Group Manager 2.039
- ScreenShare.....42

MANAGEMENT TOOLS 43

- Control Manager43
- Picture ID.....44

IR CODE 45**CONTROLLING MULTIPLE PRODUCTS..... 47**

- Connecting cables.....47
- Communication Parameter48
- Command Reference List.....49
- Transmission/Reception Protocol53

To obtain the source code under GPL, LGPL, MPL, and other open source licenses, that is contained in this product, please visit <http://opensource.lge.com>.

In addition to the source code, all referred license terms, warranty disclaimers and copyright notices are available for download.

LG Electronics will also provide open source code to you on CD-ROM for a charge covering the cost of performing such distribution (such as the cost of media, shipping, and handling) upon email request to opensource@lge.com. This offer is valid for three (3) years from the date on which you purchased the product.




! NOTE

- Software-related content may be changed without prior notice due to upgrades of the product functions.
- Some features described in the User Manual may not be supported in certain models.
- SNMP 2.0 is supported.

SETTINGS

Home

Global Buttons

-  **MOBILE URL:** Provides information necessary to access the monitor set through an external device's browser. With this feature, you can view QR code and URL information. In addition, by accessing the URL, you can also run Content Manager and Group Manager 2.0, and Control Manager. (This feature is optimized for Google Chrome.)
-  **Input:** Navigate to the external input selection screen
-  **Settings:** Navigate to the Settings screen

Dashboard

- This feature displays key information about your Signage monitor in the center of the home screen. In the Dashboard, you can manually change settings by selecting the corresponding items.

! NOTE

- If the dashboard is locked, the focus does not move.

Content Manager

- **Player:** Play a variety of content including images, videos, and SuperSign content.
- **Scheduler:** Manage schedules for content that will be played at different times.
- **Template:** You can create your own content using templates and media files.
- **Group Manager 2.0:** Distribute content schedules and setting data to the connected device.

Ez Setting

Video Wall

SETTINGS / ⚙️ → Ez Setting → Video Wall

Set Video Wall options to create a wide visual canvas.

- **Tile Mode:** Turn **Tile Mode** on or off.
- **Tile Mode Setting:** Display a single integrated screen on multiple Signage monitors.
- **Natural Mode:** Display the image excluding the area that overlaps with the monitor's bezel so that the image displayed has a more natural feel to it.
- **White Balance:** Configure white balance settings (White Pattern, R/G/B-Gain, and Luminance).
- **RESET:** Reset to initial settings.

On/Off Scheduler

SETTINGS / ⚙️ → Ez Setting → On/Off Scheduler

Set a schedule to use your signage by time and day of the week.

- **On/Off Time Setting:** Set on/off times for each day of the week.
- **Holiday Setting:** Set holidays by date and by day of the week.

SI Server Setting

SETTINGS / ⚙️ → EZ Setting → SI Server Setting

Set up to connect your signage to an external SI server. Set up a server environment for SI app installation.

Server Setting

SETTINGS / ⚙️ → Ez Setting → Server Setting

Set up to connect your signage to a SuperSign server.

- SuperSign premium servers
- SuperSign link servers

Fail Over

SETTINGS / ⚙️ → Ez Setting → Fail Over

This feature enables automatically switching to other input sources in order of priority if the primary signal is interrupted. It also enables the automatic playback of the content stored on your device.

- **On/Off:** Turns **Fail Over** on or off.
- **Input Priority:** Set the priority of input sources for fail over.
- **Backup via Storage:** Automatically play the content stored on the device when there is no input signal.
- **Capture time Interval:** Set the interval at which the image/video played on the screen will be automatically captured when Backup via Storage has been set to Auto. (30 min, 1 hour, 2 hours, and 3 hours)

Status Mailing

SETTINGS / ⚙️ → Ez Setting → Status Mailing

This feature configures the system so that the status of the device is assessed and then notified to the administrator by e-mail.

- **On/Off:** Turns **Status Mailing** on or off.
- **Mailing Option, SCHEDULE:** Sets the email sending interval.
- **User E-mail Address:** Set the user email address of the sender.
- **Sending Server (SMTP):** Set the address of the SMTP server.
- **ID:** Enter the account ID of the sender.
- **Password:** Enter the password for the sender's account.
- **Recipient E-mail Address:** Set the email address of the recipient.
- **Message Delivery:** Immediately assess the status of the device and deliver the information to the specified email address.

! NOTE

- If the status regarding any of the following items changes or becomes abnormal, a status message can be sent.
 - 1. Temperature: If the monitor set reaches a dangerous temperature, its current temperature is recorded, and an email containing such information is sent.
 - 2. Validity of the temperature sensor: An email is sent if there is no temperature sensor connected, if the communication status of the temperature sensor is unknown, or if the information provided by the chip provider is abnormal.
 - 3. Network Status (Wireless/Wired): An email is sent when the network's connection status is changed. The maximum number of network status changes that can be saved is limited to 50. The saved value is reset once the power turns off.
 - 4. Screen Fault Detection: An email is sent when a "Check Screen" triggered by the Check screen Screen Fault Detection has failed to perform.
 - 5. No Signal Check: Checks whether there is a signal. If there are no signals for more than 10 seconds, an email is sent.
 - 6. Local Contents Schedule: An email is sent if it becomes impossible to play content between the start time and end time of the playback schedule registered in Signage. However, this does not apply when termination was made using the remote control.
 - 7. SuperSign Schedule: An email is sent if it becomes impossible to play content between the start time and end time of the playback schedule distributed to SuperSign. However, this does not apply when termination was made using the remote control.
- Only SMTP ports 25, 465, and 587 are supported.

Play via URL

SETTINGS / ⚙️ → Ez Setting → Play via URL

Play content you want to play automatically through the built-in web browser.

- **URL Loader:** Turns **Play via URL** on or off.
- **Set URL:** Enter the URL address to display automatically.
- **Preview:** Preview your desired website by accessing the specified URL.
- **SAVE:** Save the specified URL.
- **Reboot to Apply:** Restarts the monitor set after saving the specified URL.

! NOTE

- This feature does not apply when **Screen Rotation** is enabled, and using this feature disables **Preview**.

Setting Data Cloning

SETTINGS / ⚙️ → Ez Setting → Setting Data Cloning

This feature is used to copy and import the settings of the device to other devices.

- **Export Setting Data:** Export the settings of the device to another device.
- **Import Setting Data:** Import the settings of another device into the device.

Sync Mode

SETTINGS / ⚙️ → Ez Setting → Sync Mode

Sync up time and content among multiple signages.

- **RS-232C Sync:** Sync up multiple signages connected by RS-232C.
- **Network Content Sync:** Sync up multiple signages connected to the same network.

Multi Screen

SETTINGS / ⚙️ → Ez Setting → Multi Screen

This feature allows you to view multiple external inputs and videos on a single screen.

! NOTE

- After entering multi-screen mode, the screen may flicker and the picture may appear abnormal on certain devices while the optimal resolution is selected automatically. If this happens, please restart the monitor.
- In multi-screen mode, the DP daisy chain feature is not supported.


Selecting Screen Layout

When you enter multi-screen mode without having set any screen layout, the screen layout selection menu appears. When the screen layout selection menu is not displayed on the screen, go to the screen layout menu bar by pressing the up arrow key on your remote control and select your desired screen layout. If you want to close the screen layout menu, press the back key.

Closing Screen Layout Menu

From the screen layout menu, press the up arrow key on the remote control to go to the screen layout menu bar and select it or press the **back** key to close the screen layout menu.


Changing Screen Input

Press the  button on the top right of each split screen to select the desired input.

! NOTE

- Inputs which have already been selected for other split screens cannot be selected again. To select them, press the RESET button to reset the inputs for all screens first.
- PIP mode works only when External Input Rotation is set to Off and Screen Rotation is set to Off.

Playing Videos on Split Screens

Press the  button on the upper right of each split screen, select Video File, and then select a storage device to view the list of videos in the selected device. Next, select your desired video from the list to play it.

! NOTE

- Videos created with HEVC, MPEG-2, H.264, or VP9 codecs can be played on split screens. When using PIP mode, the following combinations cannot be used.

Main	Sub
HEVC	HEVC
H.264	HEVC
MPEG-2	HEVC
VP9	VP9

General

Language

SETTINGS / ⚙️ → General → Language

You can select the menu language to be displayed on the screen.

- **Menu Language:** Sets the language of your Signage monitor.
- **Keyboard Language:** Sets the language of the keyboard displayed on the screen.

System Information

SETTINGS / ⚙️ → General → System Information

This feature displays information such as the device name, software version, and storage space.

Set ID

SETTINGS / ⚙️ → General → Set ID

- **Set ID (1-1000):** Assigns a unique Set ID number to each product when several products are connected via RS-232C. Assign numbers ranging from 1 to 1000 and exit the option. You can control each product separately by using the Set ID you assigned to each product.
- **Auto Set ID:** Automatically assigns a unique Set ID number to each product when several products are connected for display.
- **Reset Set ID:** Reset the Set ID of the product to 1.

Time & Date

SETTINGS / ⚙️ → General → Time & Date

This feature enables you to view and change the time and date on the device.

- **Set Automatically:** Set **Time** and **Date**.
- **Daylight Saving Time:** Set the start and end times for Daylight Saving Time. The DST start/end times function only when you set them more than one day apart from each other.
- **Time Zone:** Configure the continent, country/region and city.

Power

SETTINGS / ⚙️ → General → Power

No Signal Power Off (15 Min)

Set whether to use the 15 Min Auto Off feature.

- You can set this option to **On** or **Off**.
- If you set this feature to **On**, the product turns off when it has remained in No Signal status for 15 minutes.
- If you set this feature to **Off**, the 15 Min Force Off feature is disabled.
- It is recommended that you set this feature to **Off** if you intend to use the product for long periods of time as the feature turns the power of the product off.

No IR Power Off (4hour)

Set whether to use 4 Hours Off feature.

- You can set this option to **On** or **Off**.
- If you set this feature to **On** the product turns off if there is no input from the remote control for 4 hours.
- If you set this feature to **Off**, the 4 Hours Off feature is disabled.
- It is recommended that you set this feature to **Off** if you intend to use the product for long periods of time as the feature turns the power of the product off.

DPM

Set the Display Power Management (DPM) mode.

- If this feature is not set to **Off**, the monitor will enter DPM mode when there is no input signal.
- If you set this feature to **Off**, **DPM** is disabled.

PM Mode

- **Power Off (Default)**: Set the normal DC off mode.
- **Sustain Aspect Ratio**: Identical to normal DC off mode except that the Switching IC remains on. On certain models, this applies only to a specific input mode (DisplayPort) and has the same effect as **Screen Off Always** in other input modes.
- **Screen Off**: Automatically switches to **Screen Off** status when entering DPM/Auto mode, or in the case of Auto Off (15 mins, 4 hours) or Abnormal Shut Down.
- **Screen Off Always**: Switches to **Screen Off** status when entering DPM/Auto, Auto Off (15 mins, 4 hours), Off Timer, or Abnormal Shut Down mode, or when there is input from the remote control's Power button or the monitor's Off button.
- **Screen Off & Backlight On**: Partially turns on the backlight to keep the display at a proper temperature when in Screen Off status.

NOTE

- In order for the screen to switch from **Screen Off** to On status, there must be input from the remote control's **Power** or **Input** button, or the monitor's **On** button.

Power Off Delay (0–250)

- This feature prevents overload by implementing a power-on delay when multiple monitor sets turn on.
- You can set the delay interval in the range of 0 to 250 seconds.

Power On Status

- Select the operating status of the monitor when the main power has turned on.
- You can choose from among **PWR (Power On)**, **STD (Standby)**, and **LST (Last Status)**.
- **PWR (Power On)** keep the monitor powered on when the main power has turned on.
- **STD (Standby)** switch the monitor to Standby status when the main power has turned on.
- **LST (Last Status)** switches the monitor back to its previous status.

Wake On LAN

- Set whether to use **Wake On LAN**.
- You can set the feature to On or Off for each wired/wireless network.
- **Wired**: When set to **On**, the **Wake On LAN** feature is enabled, letting you turn the product on remotely through a wired network.
- **Wireless**: When set to **On**, the **Wake On LAN** feature is enabled, letting you turn the product on remotely through a wireless network.

Power On/Off History

Display the device's power on/off history.

Network

SETTINGS / ⚙️ → General → Network

Wired Connection (Ethernet)

- **Wired Connection:** Connects the monitor to a local area network (LAN) via the LAN port and configures network settings. Only wired network connections are supported. After making a physical connection, a small number of networks may require the display network settings to be adjusted. For most networks, the display will automatically make a connection without any adjustments. For detailed information, contact your Internet provider or consult your router manual.

Wireless Network Connection

If you have set your monitor up for a wireless network, you can view and connect to available wireless Internet networks.

- **Add a Hidden Wireless Network:** You can add a wireless network by manually typing in its name.
- **Connect via WPS PBC:** Press the button on the wireless router that supports PBC to easily connect to the router.
- **Connect via WPS PIN:** Enter the PIN number in the web page of the PIN-supporting wireless router to connect to the router in a simple manner.
- **Advanced Wi-Fi Settings:** When there is no available wireless network displayed on the screen, you can connect to the wireless network by entering the network information directly.

3G/4G Connection

Connect to a network via a 3G/4G USB dongle.

LAN Daisy Chain

- LAN Daisy Chain forms a daisy chain of LAN ports so that even if you connect only one monitor set to a network, the other sets in the daisy chain are connected to the network.
- However, the first monitor set in the daisy chain must be connected to the network through a port that is not used for the daisy chain connection.

SoftAP

If you set up a SoftAP, you can connect many devices via a Wi-Fi connection without a wireless router and use wireless Internet.

- To use SIGNAGE, you must have an Internet connection.
- The SoftAP and ScreenShare features cannot be used at the same time.
- On models that support Wi-Fi dongles, the SoftAP menu is enabled only when a Wi-Fi dongle is connected to the product.
- SoftAp Access Information
 - SSID: A unique identifier necessary to make a wireless Internet connection
 - Security key: The security key you enter to connect to the desired wireless network
 - Number of connected devices: Shows the number of devices currently connected to your Signage device via a Wi-Fi connection. Up to 10 devices are supported.

UPnP

Open and block UDP port 1900, which is used for UPnP.

- The default setting is **On**. Setting this feature to **Off** blocks UDP port 1900, making the UPnP function unavailable.
- If you set this feature to **Off**, Sync Mode's "Network" option will be deactivated.
- If you set this feature to **Off** when the value for Sync Mode is "Network," the value switches to "Off," deactivating the "Network" option.
- If you change the UPnP value, the change will not be applied before a **reboot**.
- If you set UPnP to **Off**, you cannot use Group Manager 2.0 properly.

Tips for Network Settings

- Use a standard LAN cable (Cat5 or higher with a RJ45 connector) with this display.
- Many network connection problems during set up can often be fixed by re-setting the router or modem. After connecting the display to the home network, quickly power off and/or disconnect the power cable of the home network router or cable modem, Then power on and/or connect the power cable again.
- Depending on the Internet service provider (ISP), the number of devices that can receive INTERNET service may be limited by the applicable terms of service. For details, contact your ISP.
- LG is not responsible for any malfunction of the display or Internet connection failures due to communication errors/ malfunctions associated with your Internet connection or other connected equipment.
- LG is not responsible for problems within your INTERNET connection.
- You may experience undesired results if the network connection speed does not meet the requirements of the content being accessed.
- Some INTERNET connection operations may not be possible due to certain restrictions set by the Internet service provider (ISP) supplying your Internet connection.
- Any fees charged by an ISP including, without limitation, connection charges are your responsibility.

NOTE

- If you want to access the Internet directly on your display, the INTERNET connection should always be on.
- If you cannot access the Internet, check the network conditions from a PC on your network.
- When you use Network Setting, check the LAN cable or check if DHCP in the router is turned on.
- If you do not complete the network settings, the network may not function correctly.

CAUTION

- Do not connect a modular phone cable to the LAN port.
- Since there are various connection methods, please follow the specifications of your telecommunication carrier or INTERNET service provider.
- Network setting menu will not be available until the display connected to physical network.

Tips for When Configuring Wireless Network Settings

- The wireless network may be affected by interference from a device that uses 2.4 GHz frequency, such as a wireless telephone, Bluetooth device or microwave. Interference may also be caused by a device that uses 5 GHz frequency such as Wi-Fi devices.
- The wireless network service may run slowly depending on the surrounding wireless environment.
- Some devices may have a network traffic jam if any local home networks are turned on.
- To connect to a wireless router, a router that supports wireless connection is necessary; the wireless connection function of the corresponding router must also be activated. Ask the router manufacturer whether the router supports wireless connection.
- To connect to a wireless router, verify the SSID and security settings of the wireless router. Please refer to the user guide of the corresponding router regarding SSID and security settings of the wireless router.
- The monitor may not work properly if network devices (wire/wireless router or hub, etc.) are incorrectly set up. Be sure to install the devices correctly by referring to their user guides before configuring the network connection.
- The connection method may vary according to the manufacturer of the wireless router.

Safety Mode

SETTINGS / ⚙️ → General → Safety Mode

ISM Method

If a still image is displayed on the screen for an extended period of time, image sticking can occur. The ISM method is a feature that prevents image sticking.

Screen Fault Detection

- The screen fault detection feature determines whether there is an abnormality at the end of screen; R, G, and B OSDs are created in the upper left-hand corner of the panel at intervals of about one second, and then a pixel sensor checks the area.
- Setting this feature to **On** enables the screen fault detection feature.
- Setting this feature to **Off** disables the screen fault detection feature.

Expert Controls

SETTINGS / ⚙️ → General → Advanced Setting

Beacon

- This option enables BLE Beacon, one of Bluetooth 4.0's features.
- Beacon Mode (On/Off Toggle): enables the Beacon feature.
- The LG Beacon/iBeacon/Eddystone Type Beacon features are supported.
- LG Beacon/iBeacon
 - Beacon UUID (hex): Set the UUID.
 1. Field1: 4byte hex value (8 digits)
 2. Field2: 2byte hex value (4 digits)
 3. Field3: 2byte hex value (4 digits)
 4. Field4: 2byte hex value (4 digits)
 5. Field5: 6byte hex value (12 digits)
 - Major (0–65535): Sets the Major value.
 - Minor (0–65535): Sets the Minor value.
- Eddystone
 - Frame: Set UUID or URL.
 1. Beacon UUID (hex): Set the UUID.
 - (1) Field1: 10byte hex value (20 digits)
 - (2) Field2: 6byte hex value (12 digits)
 2. Setting the URL method
 - URL Prefix: Sets the prefix of the URL.
 - URL Suffix: Set the suffix of the URL.
 - URL: Enter the part of the URL that excludes the prefix and suffix.
 - URL string length is limited to 17 characters.
- **OK**: The button used to confirm and apply the settings that you have entered.

! NOTE

- Some models do not support background screening services in iOS.
- A reboot is recommended for the settings to be applied properly.
- The UUID value is hexadecimal and the exact number of digits must be entered.

OPS Control

- **OPS Power Control:** This feature enables you to control the power of the OPS as you turn on/off the display.
 - **Disable:** Disable **OPS Power Control**.
 - **Sync (On):** Synchronize the monitor's power status only when the monitor is on.
 - **Sync (On/Off):** Synchronize the monitor's power status with the OPS.
- **Control Interface Selection:** This feature enables you to configure communication with the OPS connected to your monitor.
 - **Display:** Enable communication with external serial ports.
 - **OPS:** Enable communication with the OPS connected to your monitor.

Background Image

This feature enables you to set the default background image.

- **Booting Logo Image:** Change the logo image that appears when the device boots up. If you set this option to Off, no logo image appears when the device boots up.
- **No Signal Image:** Changes the image that appears when there is no signal. If you set this option to Off, no image appears when there is no signal.

Input Manager

This feature enables you to specify a label for each input source.

- PC: PC input devices
- DTV: HDMI, satellite and set-top boxes, DVD players, Blu-ray players, home theaters, game consoles, streaming boxes, and camera input devices.

SIMPLINK Setup

- When the **SIMPLINK Setup** is set to **On**, you can use the SIMPLINK provided by LG Signage.
- **Device ID**: Set the ID of the device connected via CEC wiring. You can choose a value between **All** and **E**.
- **StandBy**: Sets the scenarios for sending and receiving the OpStandBy (0x0c) command. Detailed scenarios are as follows:

	Transmission	Reception
All	O	O
Send Only	O	X
Receive Only	X	O

Crestron

- This function enables synchronization with applications provided by Crestron.
- **Server**: This menu sets the server's IP address for the network connection with the server (equipment provided by Crestron).
- **Port**: This menu sets the port for the network connection with the server. The default port number is 41794.
- **IP ID (1-254)**: This menu sets a unique ID for synchronizing with the application.

Display

Picture Mode

SETTINGS / ⚙️ → Display → Picture Mode

Mode

This feature enables you to choose the optimal picture mode for your installation environment.

- **Mall/QSR, Transportation, Education, Gov./Corp., Game, and Photo:** Display the picture optimally for your installation environment.
- **Normal:** Display the picture at normal contrast, brightness, and sharpness.
- **APS:** Adjust the screen brightness to reduce power consumption.
- **Expert, Calibration:** Allow an expert, or anyone who loves picture quality, to manually tune to the best picture quality.

! NOTE

- The kinds of **Picture Mode** you can select may vary depending on the input signal.
- **Expert** is an option that allows a picture quality expert to fine-tune the picture quality using a specific image. Thus, it may not be effective for a normal picture.

Customize

- **Backlight/OLED Light:** Adjust the brightness of the screen by adjusting the brightness of the backlight. The closer the value is to 100, the brighter the screen is.
- **Contrast:** Adjust the difference between the light and dark areas of the picture. The closer the value is to 100, the greater the difference is.
- **Brightness:** Adjust the overall brightness of the screen. The closer the value is to 100, the brighter the screen is.
- **Sharpness:** Adjust the sharpness of the edges of objects. The closer the value is to 50, the clearer and the sharper the edge becomes.
- **H Sharpness:** Adjust the sharpness of the contrast edges on the screen from a horizontal point of view.
- **V Sharpness:** Adjust the sharpness of the contrast edges on the screen from a vertical point of view.
- **Color:** Soften or deepen the tints on the screen. The closer the value is to 100, the deeper the colors become.
- **Tint:** Adjust the balance between red and green levels displayed on the screen. The closer to Red 50, the redder the color will be. The closer to Green 50, the greener the color will be.
- **Color Temperature:** The higher you set the color temperature, the cooler the colors on the screen will feel. The lower you set the color temperature, the warmer the colors on the screen will feel.
- **Expert Controls** Customize the advanced options.
 - **Dynamic Contrast:** Optimize the difference between the light and dark parts of the screen according to the brightness of the image.
 - **Super Resolution:** Sharpen the areas of the screen that are blurry or barely distinguishable.
 - **Color Gamut:** Select the range of colors available.
 - **Dynamic Color:** Adjust the tint and saturation of the image for a more vivid and lively display.
 - **Edge Enhancer:** Provide much sharper and clearer edges to the picture.
 - **Color Filter:** Accurately adjust color and tint by filtering a specific color area of RGB space.
 - **Preferred Color:** Adjust the skin tint, grass tint, and sky tint to your preference.
 - **Gamma:** Adjust gamma settings to compensate for the brightness of the input signal.
 - **White Balance:** Adjust the overall color fidelity of the screen to your liking. In Expert mode, you can fine-tune the picture using the Method/Pattern options.
 - **Color Management System:** Experts use the color management system when they adjust the colors by using the test pattern. The color management system allows you to make an adjustment by selecting from among 6 different color spaces (Red/Yellow/Blue/Cyan/Magenta/Yellow) without affecting other colors. In a normal picture, you may not notice the color changes you have made.

- **Picture Option:** Customize the picture options.
 - **Noise Reduction:** Remove randomly popping dots to make the picture look clearer.
 - **MPEG Noise Reduction:** Reduce the noise generated in the process of creating a digital video signal.
 - **Black Level:** Adjust the brightness and contrast of the screen by adjusting the black level of the screen.
 - **Real Cinema:** Optimize the video image for a cinematic look.
 - **Motion Eye Care :** Reduce eye fatigue by adjusting brightness levels and lessening blurriness based on the displayed image.
 - **Aurora Led Backlight:** Make the light areas of the screen lighter and the dark areas darker for maximum contrast. Setting this feature to Off may increase the monitor's power consumption.
 - **TruMotion:** Reduce image shaking and image sticking that can occur with moving images.
- **Reset:** Reset the picture settings. Because the picture settings are reset according to the monitor's picture mode, please select the picture mode before resetting the picture settings.

Aspect Ratio

SETTINGS / ⚙️ → Display → Aspect Ratio

This feature enables you to change the picture size to view the picture at its optimal resolution.

- **Full Wide:** Stretch the picture to fill the screen.
- **Original:** Display the picture at its original resolution.

Rotation

SETTINGS / ⚙️ → Display → Rotation

Screen Rotation

- This feature rotates the screen clockwise.
- You can set this feature to Off/90/180/270.
- When set to off, this feature is deactivated.
- It is recommended that you use content designed to be used in Portrait mode.

External Input Rotation

- This feature rotates the externally inputted picture 90, 180, or 270 degrees clockwise.
- When this feature is set to On (90 or 270 degrees), as for ARC, the picture is resized to be **Full Wide**.
- When you intend to use the External Input Rotation feature in conjunction with WiDi, it is recommended that you set the monitor's aspect ratio to **Original**. If you set the monitor's aspect ratio to **Full Wide**, the mouse cursor may be inaccurately displayed.
- Please note that the degradation of picture quality that occurs when you have enabled **External Input Rotation** during the use of external input has nothing to do with the product itself.
- When External Input Rotation is set to On, Multi Screen's PIP mode is disabled.

Expert Controls

SETTINGS /  → Display → Advanced Setting

UHD Deep Color

If you connect an UHD device to one of the Deep Color adjustable ports, you can select Deep Color On (6G) or Off (3G) from the HDMI Ultra Deep Color settings menu.

If a compatibility issue occurs with a graphics card when the Deep Color option is set to On at 3840 x 2160 @ 60 Hz, set the Deep Color option back to Off.

- HDMI and DP specifications may vary depending on the input port. Check the specifications of each device before connecting to the monitor.
- HDMI input port 2 is best suited for high definition videos that are 4K@60 Hz (4:4:4, 4:2:2). However, video or audio may not be supported depending on the specifications of the external device. If this is the case, please connect the device to a different HDMI port.

OLED Panel Settings

- **Clear Panel Noise:** Correct issues that may arise when the screen is turned on for a long period of time.

Energy Saving

- **Smart Energy Saving:** Automatically adjust the brightness of the screen according to the brightness of the picture to save energy.
 - **On:** Enable the Smart Energy Saving feature.
 - **Off:** Disable the Smart Energy Saving feature.
- **Brightness Control:** Adjust the brightness of the screen to save energy.
 - **Auto:** Automatically adjust the brightness of the screen according to ambient light.
 - **Off:** Disable energy saving.
 - **Minimum/Medium/Maximum:** Use energy saving according to the energy saving level set for the monitor.
- **Brightness Scheduling:** Adjust the backlight at specified times.
 - You can set this feature to **On/Off**.
 - If the current time has not been set, **Bright Scheduling** is disabled.
 - You can add up to six schedules, and they are sorted in ascending order by time.
 - You can edit a schedule by selecting it from the list and pressing the **OK** button.
- **Screen Off:** Turn off the screen, meaning the TV only produces sound. You can turn on the screen again by pressing any button on the remote control except the power button.

Adjust (RGB-PC)

This feature enables you to configure the PC display options in RGB mode.

- **Set Automatically:** Automatically adjust the screen position, time, and phase. The image displayed on the screen can be unstable for a few seconds in the process of the configuration.
- **Resolution:** Select the appropriate resolution.
- **Position/Size/Phase:** Adjust the options when the picture is not clear, especially when characters are shaky, after the auto configuration.
- **Reset:** Resets the options to default.

HDMI IT Contents

- Set the HDMI IT Contents function.
- **Off:** Disable the HDMI IT Contents function.
- **On:** Enable the HDMI IT Contents function.

This feature automatically changes the monitor's picture mode based on HDMI Contents information when an HDMI signal is entered.

Even if the monitor's picture mode has been changed by the HDMI IT Contents feature, you can change the picture mode again manually.

As this has a higher priority than the picture mode set by the user, the existing picture mode may be changed when the HDMI signal changes.

Sound

Sound Mode

SETTINGS / ⚙️ → Sound → Sound Mode

Sound Mode

The best sound quality will be selected automatically depending on the video type currently being watched.

- **Standard**: This sound mode works well for content of all types.
- **Cinema**: Optimize sound for watching movies.
- **Clear Voice III**: Enhance voices so they can be heard more clearly.
- **Sports**: Optimize sound for watching sports.
- **Music**: Optimize sound for listening to music.
- **Game**: Optimize sound for playing video games.

Balance

- **Balance**: Adjust the output volume for the left speaker and the right speaker.

Equalizer

- **Equalizer**: Manually adjust sound by using the equalizer.

Reset

- **Reset**: Resets sound settings.

Sound Out

SETTINGS / ⚙️ → Sound → Sound Out

- **Internal Speaker/External Speaker:** You can output audio either through your Signage monitor's internal speaker or through an external speaker connected to it.
- **SIMPLINK External Speaker:** This feature is used when you have connected a home theater device to your monitor via SIMPLINK. This feature enables audio to be outputted through the connected device. This option is activated when SIMPLINK has been set to On.
- **LG Sound Sync / Bluetooth:** Enables you to connect Bluetooth audio devices or Bluetooth headsets wirelessly to your monitor so that you can enjoy richer audio conveniently.

! NOTE

- Some recently connected devices may automatically attempt to reconnect to the Signage monitor when it is turned on.
- It is recommended that you set LG audio devices that support LG Sound Sync to LG TV mode or LG Sound Sync mode before connecting.
- Press Device Selection to view the devices that are or that can be connected and connect other devices.
- You can use the signage remote control to adjust the volume of the connected device.
- If the audio device fails to connect, check that it is switched on and available for connection.
- Depending on the type of the Bluetooth device, the device may not connect correctly or an abnormal behavior may occur such as unsynchronized video and audio.
- Sound may stutter or sound quality may be reduced if:
 - The Bluetooth device is too far from the Signage monitor.
 - There is an obstructing object between the Bluetooth device and the Signage monitor.
 - The Bluetooth device is used together with radio equipment such as a microwave oven or wireless LAN.

Audio Out

SETTINGS / ⚙️ → Sound → Audio Out

- When set to **Off**: Disables the use of **Audio Out**. (No audio outputted.)
- When set to **Variable**: You can specify an output range for the external audio device connected to the monitor and adjust the volume within the range. You can change the volume of an external audio device within the range of 0 to 100 (the same as the Signage speaker volume). However, there may be a difference in the actual volume level outputted.
- When set to **Fixed**: Set a fixed audio output level for the external audio device.
 - If there is no external input, no external audio is outputted.
 - The variable audio output level 100 is the same as the fixed audio output level.

Volume Increase Amount

SETTINGS / ⚙️ → Sound → Volume Increase Amount

This feature enables you to adjust the amount of volume that increases/decreases when you press the up/down volume key on your remote control. The higher the value you set, the faster the volume increases. Choose from among **Low**, **Medium**, and **High** to adjust the volume range.

AV Sync. Adjustment

SETTINGS / ⚙️ → Sound → AV Sync. Adjustment

This feature adjusts audio timing to synchronize video and audio.

- **External Speaker**: Adjust the sync between video and audio coming from external speakers, such as those connected to the digital audio output port, LG audio equipment, or headphones. Moving closer to - speeds up the audio output, while moving closer to + slows down the audio output, compared to the default value.
- **Bypass**: Output the broadcast signals or the sound from external devices without any audio delay. Audio may be outputted earlier than video due to the processing time for video that is inputted into the monitor.

Digital Audio Input

SETTINGS / ⚙️ → Sound → Digital Audio Input

This feature enables you to choose an input source for audio output.

- **Digital**: Output the audio contained in the digital signal inputted from the connected digital input source (HDMI, DISPLAYPORT, or OPS).
- **Analog**: Output audio from the digital input source (HDMI, DISPLAYPORT, or OPS) connected to the monitor through the Audio In port.

Admin

Lock Mode

SETTINGS / ⚙️ → Admin → Lock Mode

Home Dashboard Lock

This feature enables you to restrict changes made to dashboard lock settings on the Home screen.

USB Lock

This feature enables you to configure the USB lock feature so that settings or content cannot be changed.

OSD Lock

This feature enables you to configure the OSD lock feature so that settings or content cannot be changed.

IR Operation Lock

- If you set this feature to **Off (Normal)**, you can use your remote control.
- If you set this feature to **On (Power Key Only)**, you can only use the power key.
- If you set this feature to **On (Block All)**, you cannot use your remote control. (However, Power On feature is available.)

Local Key Operation Lock

- This feature enables you to configure the Local Key Operation Lock feature so that settings or content cannot be changed.
- If you set this feature to **Off (Normal)**, you can use the local keys on the monitor.
- If you set this feature to **On (Power Key Only)**, you can only use the power key. (When you use a joystick, press and hold a local key to turn on/off the monitor.)
- If you set this feature to **On (Block All)**, you can use the local keys. (However, Power On feature is available.)

Wi-Fi Lock

This feature enables you to turn the Wi-Fi feature on or off.

Screen Share Lock

This feature enables you to turn the Screen Share feature on or off.

Change PIN Code

This feature enables you to set the password you use to enter the Installation menu.

- 1 Enter a new 4-digit password.
- 2 Enter the same password again in the Confirm Password field for confirmation.

Enterprise Settings

- Enter your company account code to apply the corresponding enterprise settings.
- When your code has been entered, the monitor set gets reset, thereby applying the corresponding enterprise settings.
- This feature does not get activated if a code has already been entered.

Reset to Initial Settings

This feature resets all items except the Quick Start items (Language, Time, and Auto Power Off) to their initial settings.

Factory Reset

This feature resets the items applicable for Reset to Initial Settings, Date, Time, Language, Network IP, and the Input Label Internal Storage files.

However, Calibration mode's RGB gain is an exception.

CONTENT MANAGER

Web Login

- Different features are supported depending on the product.
- This Signage product comes with a feature that enables you to access it on your PC or mobile device.
- Content Manager, Group Manager 2.0, Control Manager, Log Out, Change Password menus are provided.
 - URL: <https://set ip:443>
 - (The default password: 000000)

CAUTION

- Supported resolutions (this program is optimized for the following resolutions):
 - PC: 1920x1080, 1280x1024
 - Mobile: 360x640 (1440x2560, 1080x1920), DPR
- Supported browsers (this program is optimized for the following browsers):
 - Chrome 56 or later (recommended)

Content Manager

Player

HOME /  →  (Player)

The Content Manager app's player feature enables you to play and manage video content, image content, template content, SuperSign content, and playlist content in an integrated way. (The OLED models do not support the playback and management of image content and template content.)

Continuous Play

- 1 Select your desired type of content from the tab on the left and then select your desired content.
- 2 Click **Play** in the upper right-hand corner of the screen and enjoy the content you have selected.

Export

- 1 Select your desired type of content from the tab on the left and click **Export** in the upper right-hand corner of the screen.
- 2 Select the content you wish to export.
- 3 Click **Copy/Move** in the upper right-hand corner of the screen and select the device to which you wish to export the content. (If a content file stored on the target device has been selected, the processing of the content file is skipped.)
- 4 You can see that the content has been moved/copied to the device.

Delete

- 1 Select your desired type of content from the tab on the left and click **Delete** in the upper right-hand corner of the screen.
- 2 Select the content you wish to delete.
- 3 Click **Delete** in the upper right-hand corner of the screen.
- 4 You can see that the content has been deleted.

Filter / Sort

- 1 Click **Filter / Sort** in the upper right-hand corner of the screen.
- 2 1) Choose your desired sort criterion to sort content files either by file name or in the order they have been played (the most recently played file shown at the top of the list).
2) It is possible to only view the content stored on your desired device by filtering content files by device.
3) It is possible to only view the content of your desired type by filtering content files by content type.

Create Playlist

When creating a playlist, you cannot include characters that cannot be used in file names on Windows — such as \, /, ;, *, ?, ", <, >, and | — in the names of the files in the playlist. In addition, if the playlist contains content files whose names include such characters, you cannot move or copy the playlist.

- 1 Select **Playlist** from the tab on the left and click **Create Playlist** in the upper right-hand of the screen.
- 2 Select the content you wish to add to the playlist and click **Next** in the upper right-hand of the screen.
- 3 Set a play time for each piece of content (applicable only for photo and template content), as well as other items such as Conversion Effect, Ratio, and Auto Playback, and then click **Complete** in the upper right-hand corner of the screen.
- 4 You can see a new **Playlist** has been created.

Schedules

HOME /    (Scheduler)

The Content Manager app's scheduler feature enables certain content to be played at a scheduled time through a playlist or external input.

Creating a Schedule

- 1 Click **New Schedule** in the upper right-hand corner of the screen.
- 2 Choose between **Playlist** and **Input Source**.
- 3 1) If you have selected **Playlist**, select the playlist you wish to schedule the playback of.
2) If you have selected **Input Source**, select the external input source you wish to schedule the playback of.
- 4 Enter schedule information and create a new schedule. (When creating a schedule, you cannot include characters that cannot be used in file names on Windows — such as \, /, ;, *, ?, ", <, >, and | — in the name of the schedule file. In addition, if the playlist linked to the schedule contains content files whose names include such characters, you cannot move or copy the playlist.)
- 5 Watch the playlist or external input you selected play back at its scheduled time.

Importing a Schedule

- 1 Click **Import** in the upper right-hand corner of the screen.
- 2 Select the external storage device from which you wish to import a schedule.
- 3 Select the schedule you wish to import to your monitor. (You can only choose a single schedule.)
- 4 Click **Select** in the upper right-hand corner of the screen.
- 5 Check that the schedule has been imported to the monitor's internal storage memory.

Exporting a Schedule

- 1 Click **Export** in the upper right-hand corner of the screen.
- 2 Select the external storage device to which you wish to export a schedule.
- 3 Select the schedule you wish to export from your monitor. (You can choose multiple schedules.)
- 4 Click **Select** in the upper right-hand corner of the screen.
- 5 Check that the schedule has been exported to the external storage device you selected.

Deleting a Schedule

- 1 Click [**Delete**] in the upper right-hand corner of the screen.
- 2 Select the schedules you wish to delete.
- 3 Click **Delete**.
- 4 Check that the schedules have been deleted.

Calendar View

- 1 When you have registered schedules, click **Calendar View**.
- 2 You can see that the schedules registered are displayed in the form of a timetable.

Template

HOME /  →  (Template)

The Content Manager app's editor feature enables you to add your desired templates.

- 1 Select the template of your desired format. (You can choose between Landscape mode and Portrait mode.)
- 2 Modify the template's text.
 - 2-1. Apply your desired font style (text size, text thickness, underline, and italic).
- 3 Modify the media file.
- 4 Save the template by clicking **Save** in the top right-hand corner of the screen.
- 5 Check that the template you saved is shown in the template list.

Supported Photo & Video Files

! NOTE

- Subtitles are not supported.

Supported video codecs

Extension	Codec	
.asf, .wmv	Video	VC-1 Advanced Profile (except for WMVA), VC-1 Simple and Main Profiles
	Audio	WMA Standard (excluding WMA v1/WMA Speech)
.avi	Video	Xvid (excluding 3 warp-point GMC), H.264/AVC, Motion Jpeg, MPEG-4
	Audio	MPEG-1 Layer I, II, MPEG-1 Layer III (MP3), Dolby Digital, LPCM, ADPCM, DTS
.mp4, .m4v, .mov	Video	H.264/AVC, MPEG-4, HEVC
	Audio	Dolby Digital, Dolby Digital Plus, AAC, MPEG-1 Layer III (MP3)
.3gp	Video	H.264/AVC, MPEG-4
.3g2	Audio	AAC, AMR-NB, AMR-WB
.mkv	Video	MPEG-2, MPEG-4, H.264/AVC, VP8, VP9, HEVC
	Audio	Dolby Digital, Dolby Digital Plus, AAC, PCM, DTS, MPEG-1 Layer I, II, MPEG-1 Layer III (MP3)
.ts, .trp, .tp, .mts	Video	H.264/AVC, MPEG-2, HEVC
	Audio	MPEG-1 Layer I, II, MPEG-1 Layer III (MP3), Dolby Digital, Dolby Digital Plus, AAC, PCM
.mpg, .mpeg, .dat	Video	MPEG-1, MPEG-2
	Audio	MPEG-1 Layer I, II, MPEG-1 Layer III (MP3)
.vob	Video	MPEG-1, MPEG-2
	Audio	Dolby Digital, MPEG-1 Layer I, II, DVD-LPCM

Supported Photo File Formats

File type	Format	Item
.jpeg, .jpg, .jpe	JPEG	<ul style="list-style-type: none"> • Min: 64 x 64 • Max: 7480 (W,H) x 4320 (H,W)
.png	PNG	<ul style="list-style-type: none"> • Min: 64 x 64 • Max: 7480 (W,H) x 4320 (H,W)
.bmp	BMP	<ul style="list-style-type: none"> • Min: 64 x 64 • Max: 7480 (W,H) x 4320 (H,W)

Tips for using USB/SD storage devices

- Only USB storage devices are recognized.
- USB storage devices connected to the monitor through a USB hub may not work properly.
- USB storage devices that use an automatic recognition program may not be recognized.
- USB storage devices that use their own drivers may not be recognized.
- The recognition speed of a USB storage device may depend on each device.
- Please do not turn off the display or unplug the USB device when the connected USB storage device is working. When the device is suddenly separated or unplugged, the stored files or the USB storage device may be damaged.
- Please do not connect the USB storage device which was artificially maneuvered on the PC. The device may cause the product to malfunction or fail to be played. Remember to only use USB storage devices that store normal music, image, and/or movie files.
- Storage devices formatted with utility programs that are not supported by Windows may not be recognized.
- Please connect power to a USB storage device (over 0.5 A) which requires an external power supply. Otherwise, the device may not be recognized.
- Please connect a USB storage device with the cable offered by the device maker.
- Some USB storage devices may not be supported or operated smoothly.
- File alignment methods of the USB storage device is similar to Windows XP and filenames can include up to 100 English characters.
- Be sure to back up important files since data stored in a USB memory device may be damaged. We will not be responsible for any data loss.
- If the USB HDD does not have an external power source, the USB device may not be detected. So make sure to connect it to an external power source.
 - Please use a power adapter for an external power source. No USB cable is provided for an external power source.

- If your USB storage device has multiple partitions, or if you use a USB multi-card reader, you can use up to four partitions or USB memory devices.
- If a USB storage device is connected to a USB multi-card reader, its volume data may not be detected.
- If the USB storage device does not work properly, remove it and connect it again.
- The speed at which a USB storage device is detected differs from device to device.
- If the USB storage device is connected in Standby Mode, a specific hard disk will automatically be loaded when the display is turned on.
- The recommended capacity is 1 TB or less for a USB external hard disk and 32 GB or less for USB memory.
- Any device with more than the recommended capacity may not work properly.
- If a USB external hard disk with a Energy Saving feature does not work, turn the hard disk off and on again to make it work properly.
- USB storage devices (USB 2.0 or below) are also supported. However, they may not work properly in the videos list.
- A maximum of 999 folders or files can be recognized under one folder.
- SDHC-type SDs are supported. To use an SDXC card, format it to the NTFS file system first.
- The exFAT file system is not supported for SD cards and USB storage devices.
- SD cards are not supported on some models.

Group Manager 2.0

This feature enables you to group together multiple monitor sets on a single network into the same group and to distribute content (schedules and playlists) or copy setting data on a group basis. This feature has two modes, Master and Slave, and it can access the browser on your PC or mobile device.

Master

- Add, edit, and delete group.
- Clone your device's settings data.
- Distribute **Schedules** and **Playlists** on a group basis.
- All monitor sets initially come in Master mode.

Slave

- Play **Schedules** and **Playlists** distributed in Master mode.
- Remove monitor sets for their groups.
- Monitor sets that have been added to a group are automatically switched to Slave mode. Conversely, when a monitor set has been deleted from a group, it is automatically initialized and switched to Master mode.
- You can duplicate the master device's setting data to the group by using **Data Cloning**.
- You can re-download the content distributed to the group by using **Sync**.

(Group Management)

- Creating a New Group
 1. Click **Add New Group**.
 2. Enter a group name.
 3. Click **Add Device**, select the devices you wish to add to the group, and add them.
 4. Click **Done**, and you will see that a new group has been created.
- Editing a Group
 1. Click the group you wish to edit.
 2. Add a new device by using **Add Device**.
 3. Delete a device by using **Delete Device**.
 4. Check whether the devices in the group are connected to a network by using **Device Check**.
 5. You can re-copy the master device's setting data to the group by using **Data Cloning**.
 6. You can re-distribute the content distributed to the group by using **Sync**.
- Deleting a Group
 1. Click **Delete Group**.
 2. Select the group you wish to delete and click **Delete**.
 3. Check that the group you selected has been deleted.
- All Devices View: This page enables you to manage all slave monitor sets that are connected to the same network.
 1. Click **All Devices View**.
 2. Click **Reset Device Mode**.
 3. Select the slave monitor set whose device mode you wish to change and click **Reset**.

Data Cloning

- 1 Select your desired group and click **Clone**.
- 2 Check that the data have been copied on the slave sets.

Content Distribution

- 1 Select the type of content you wish to distribute (Schedules or Playlists).
- 2 Select the content you wish to distribute.
- 3 Select the group to which you wish to distribute the content and click **Distribute**.
- 4 Run the Content Manager app on the slave sets and check that the content has been distributed.

How to Use

- Monitors: Run/add/delete/edit apps in the Launcher bar.
- Mobile devices: Run the app in the Launcher bar or access the app from a mobile device using the QR code or URL provided.

CAUTION

- You can create up to 25 groups.
- You can add up to 12 slave devices to a group.
- You can distribute the schedules stored on external devices after executing Content Manager's import operation.
- Make sure to delete all schedules stored on the slave sets before distributing any schedules.
- A list of devices you can add to your desired group appears only when the following conditions have been met:
 - The devices you wish to add must be on the same network as the master device.
 - The devices you wish to add must be in Master mode, and they must not belong to any existing group.
 - The UPnP feature must be enabled (go to **General** > **Network** > UPnP and set it to **On**).
- Group Manager 2.0 may not work properly in wireless network environments. It is recommended you use a wired network.

ScreenShare

This feature allows the screen of a user's device such as a mobile or PC Windows to be shared with a display using a wireless connection such as WiDi or Miracast.

How to Use ScreenShare

INPUT /  → 

- 1 Connect according to the instructions provided by the guide that can be accessed through the CONNECTION GUIDE button in the upper right.
- 2 Once the connection is established, Screen Share between the user device and the monitor is enabled.

! NOTE

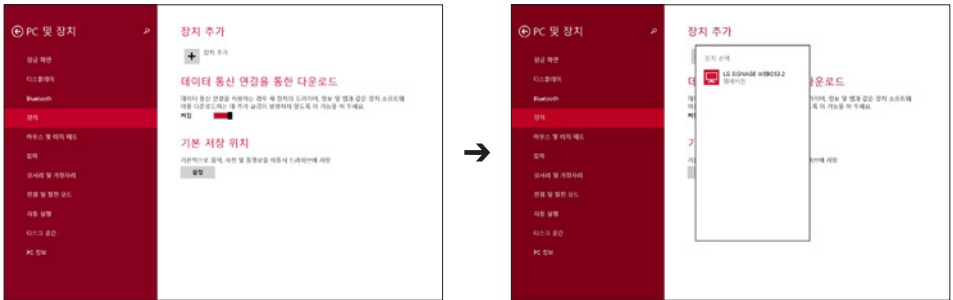
Configuring WiDi (Wireless Display)

WiDi, which is short for Wireless Display, is a system that wirelessly transmits video and audio files from a laptop that supports Intel WiDi to the display.

This is available only in certain input modes (Composite/Component/RGB/HDMI/DP/OPS/DVI-D).

Other than these modes, LG Signage cannot be detected by your PC.

- 1 Connect your laptop to AP. (This feature can be used without an AP, but it is recommended that you connect to it for optimal performance.) Go to **PC Settings → PC and Devices → Devices** on your laptop.
- 2 Click **Add Device** in the top center of the screen, and then you will see a list of nearby WiDi-capable LG Signage monitors. From the list of detected Signage monitors, select one you wish to connect to and click Connect.



- 3 The screen of your laptop screen appears on the screen of the Signage monitor within 10 seconds. The wireless environment may affect the screen from displaying. If the connection is poor, the Intel WiDi connection may be lost.
 - For more information on how to use Intel WiDi, visit <http://intel.com/go/widi>.
 - This feature only works properly with WiDi 3.5 or later versions.
 - This feature only works on Windows 8.1 or later

MANAGEMENT TOOLS

Control Manager

Control and check the status of the display through the Web browser.

This function is available for PCs and mobile devices.

Different features are supported depending on the product.

Function

- **Dashboard:** Display a summary of the product's status and provides links to each page.
- **Display and Sound:** Provides features such as Screen Brightness, Sound, Input, and Reboot.
- **Time & Date:** Enable/disable Set Automatically feature and displays/changes the time set for the product.
- **Network:** Set the name and IP address of your Signage monitor.
- **Screen Fault Detection:** Display the video output status of the product.
- **Tile Mode:** Display the tile mode settings of the product.
- **Fail Over:** Turns the Fail Over feature on or off and sets related items.
- **Play via URL:** Turn Play via URL on or off and set URLs.
- **S/W Update:** Update the firmware of the product.
- **Charts:** Output the product's status information such as its temperature and fan status.
- **Logs:** Output product malfunction records.
- **System Information:** Output information such as the product's software version and model name.

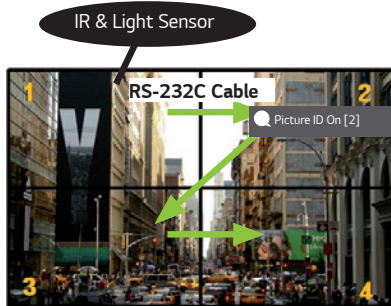
! NOTE

- When **Screen Rotation On** is set to On, **Fault Detection** does not work.

Picture ID

Picture ID is used to change the settings of a specific set (display) using a single IR receiver for multi-vision. Communication is possible between a monitor with an IR receiver and other monitors using RS-232C cables. Each monitor is identified by a Set ID. Setting **Picture ID** allows you to only use the remote control with monitors with a **Set ID** that matches the **Picture ID**.

- 1 Assign **Set ID** to the installed monitors as shown below:












- 2 Press the red **Picture ID On** button on the remote control.
- 3 Make sure that the Picture ID you set is identical to the **Set ID** of the monitor you wish to control.
 - A set with a **Set ID** that is different from the **Picture ID** cannot be controlled by IR signals.

! NOTE

- If **Picture ID** has been set to 2, only the upper right monitor, which has a **Set ID** of 2, can be controlled by IR signals.
- If you press the green **Picture ID Off** button on your remote control, the **Picture ID** for all monitors are turned off. If you then press any button on the remote control, all monitors can be controlled by IR signals regardless of their **Set ID**'s.

IR CODE

- All models do not support the HDMI/USB function.
- Some key codes may not be supported depending on the model.

Code (Hex)	Function	Remarks
08	 (Power)	Remote control button
C4	MONITOR ON	Remote control button
C5	MONITOR OFF	Remote control button
95	 (Energy Saving Mode)	Remote control button
0B	INPUT (Select input)	Remote control button
10	Number Key 0	Remote control button
11	Number Key 1	Remote control button
12	Number Key 2	Remote control button
13	Number Key 3	Remote control button
14	Number Key 4	Remote control button
15	Number Key 5	Remote control button
16	Number Key 6	Remote control button
17	Number Key 7	Remote control button
18	Number Key 8	Remote control button
19	Number Key 9	Remote control button
02	 (Vol +)	Remote control button
03	 (Vol -)	Remote control button
E0	Brightness  (Page Up)	Remote control button
E1	Brightness  (Page Down)	Remote control button
DC	 (3D)	Remote control button
32	1/a/A	Remote control button
2f	CLEAR	Remote control button
7E	 SIMPLINK	Remote control button
79	ARC (Mark/Aspect Ratio)	Remote control button
4D	PSM (Picture Mode)	Remote control button
09	 (MUTE)	Remote control button

Code (Hex)	Function	Remarks
43	⚙️ (Settings/Menu)	Remote control button
99	Auto Configuration	Remote control button
40	^ (Up)	Remote control button
41	v (Down)	Remote control button
06	> (Right)	Remote control button
07	< (Left)	Remote control button
44	Ⓞ ok (OK)	Remote control button
28	↩️ (BACK)	Remote control button
7B	Tile	Remote control button
5B	Exit	Remote control button
72	Picture ID On (red)	Remote control button
71	Picture ID Off (green)	Remote control button
63	Yellow	Remote control button
61	Blue	Remote control button
5F	W.Bal	Remote control button
3F	⌘ (S.Menu)	Remote control button
7C	🏠 (Home)	Remote control button
97	Swap	Remote control button
96	Mirror	Remote control button

CONTROLLING MULTIPLE PRODUCTS

- This only applies to certain models.

Use this method to connect several products to a single PC. You can control several products at a time by connecting them to a single PC.

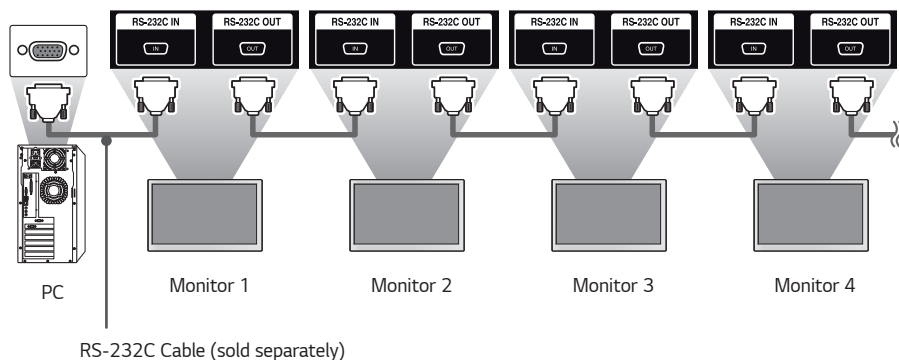
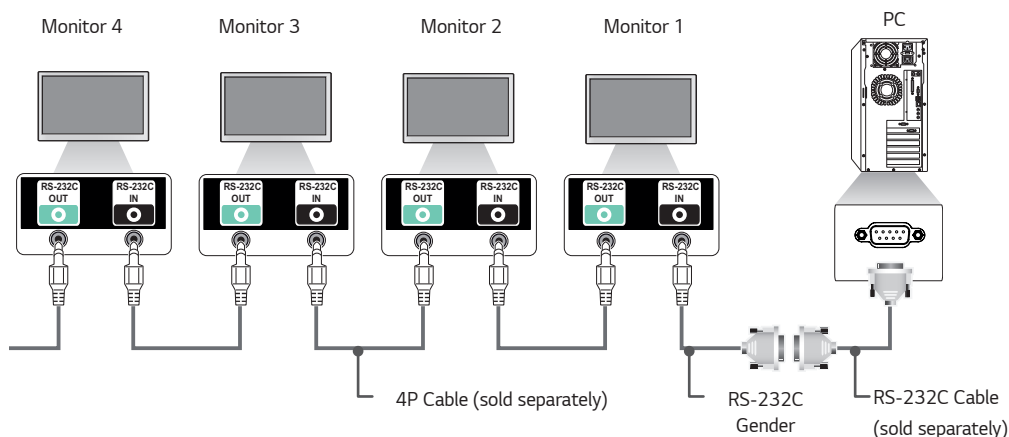
In the Option menu, the Set ID must be between 1 and 1000 without being duplicated.

Connecting cables

- The image may be different according to the model.

Connect the RS-232C cable as shown in the picture.

The RS-232C protocol is used for communication between the PC and product. You can turn the product on/off, select an input source and adjust the OSD menu from your PC.



Communication Parameter

Baud Rate: 9600 bps

Data Length: 8 bits

Parity Bit: None

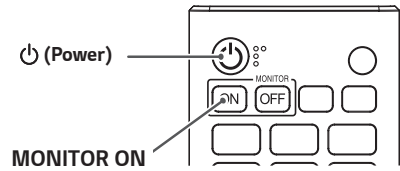
Stop Bit: 1 bit

Flow Control: None

Communication Code: ASCII code

! NOTE

- When using 3-wire connections (non-standard), an IR daisy chain cannot be used.
- Be sure to only use the provided gender to connect properly.
- When you have daisy-chained multiple Signage products to control them simultaneously, if you attempt to turn on/off the master device in a continuous manner, some products may not turn on. In this case, you can turn those monitors on by pressing the **MONITOR ON** button, not the Power button.



Command Reference List

		Command		Data (Hexadecimal)
		1	2	
01	Power	k	a	00 to 01
02	Select input	x	b	See Select Input
03	Aspect Ratio	k	c	See Aspect Ratio
04	Brightness Control	j	q	See Energy Saving
05	Picture Mode	d	x	See Picture Mode
06	Contrast	k	g	00 to 64
07	Brightness	k	h	00 to 64
08	Sharpness	k	k	00 to 32
09	Color	k	i	00 to 64
10	Tint	k	j	00 to 64
11	Color Temperature	x	u	70 to D2
12	Balance	k	t	00 to 64
13	Sound Mode	d	y	See Sound Mode
14	Mute	k	e	00 to 01
15	Volume Control	k	f	00 to 64
16	Clock 1 (year/month/day)	f	a	See Clock 1
17	Clock 2 (hour/minute/second)	f	x	See Clock 2
18	No Signal Power Off (15 Min)	f	g	00 to 01
19	Auto Power Off	m	n	00 to 01
20	Language	f	i	See Language
21	Set Default	f	k	00 to 02
22	Current Temperature	d	n	FF
23	Key	m	c	See Key
24	Time Elapsed	d	l	FF
25	Product Serial Number	f	y	FF

		Command		Data (Hexadecimal)
		1	2	
26	Software Version	f	z	FF
27	White Balance Red Gain	j	m	00 to FE
28	White Balance Green Gain	j	n	00 to FE
29	White Balance Blue Gain	j	o	00 to FE
30	White Balance Red Offset	s	x	00 to 7F
31	White Balance Green Offset	s	y	00 to 7F
32	White Balance Blue Offset	s	z	00 to 7F
33	Backlight	m	g	00 to 64
34	Screen Off	k	d	00 to 01
35	Tile Mode	d	d	00 to FF
36	Check Tile Mode	d	z	FF
37	Tile ID	d	i	See Tile ID
38	Natural Mode	d	j	00 to 01
39	Energy Saving Settings	f	j	See Energy Saving Settings
40	Remote Control/Local Key Lock	k	m	00 to 01
41	Power On Delay	f	h	00 to FA
42	Fail Over Select	m	i	00 to 02
43	Fail Over Input Select	m	j	See Fail Over Input Select
44	Remote Controller Key Lock	t	p	00 to 02
45	Local Key Lock	t	o	00 to 02
46	Status Check	s	v	See Status Check
47	Screen Fault Detection	t	z	00 to 01
48	Daylight Saving Time	s	d	See Daylight Saving Time
49	PM Mode	s	n, 0c	00 to 03
50	ISM Method	j	p	See ISM Method

		Command		Data (Hexadecimal)
		1	2	
51	Network Settings	s	n, 80(81)(82)	See Network Settings
52	Auto Configuration	j	u	01
53	H Position	f	q	00 to 64
54	V Position	f	r	00 to 64
55	H Size	f	s	00 to 64
56	Power On Status	t	r	00 to 02
57	Wake On LAN	f	w	00 to 01
58	Intelligent Auto	t	i	00 to 01
59	OSD Rotation	t	h	00 to 02
60	Time Sync	s	n, 16	00 to 01
61	Content Sync	t	g	00 to 01
62	LAN Daisy Chain	s	n, 84	00 to 01
63	Content Rotation	s	n, 85	00 to 02
64	Scan Inversion	s	n, 87	00 to 01
65	Beacon	s	n, 88	00 to 01
66	Brightness Scheduling Mode	s	m	00 to 01
67	Brightness Scheduling	s	s	See Brightness Scheduling
68	Multi Screen Mode & Input	x	c	See Multi Screen Mode & Input
69	Aspect Ratio (Multi Screen)	x	d	See Aspect Ratio (Multi Screen)
70	Screen Off (Multi Screen)	x	e	See Screen Off (Multi Screen)
71	Screen Off Always	s	n, 0d	00 to 01
72	Screen Video Freeze	k	x	00 to 01
73	Wireless Wake On LAN	s	n, 90	00 to 01
74	OSD Output	k	l	00 to 01
75	HDMI IT Contents	s	n, 99	00 to 01

		Command		Data (Hexadecimal)
		1	2	
76	On/Off Time Scheduling	s	n, 9a	See On/Off Time Scheduling
77	Holiday Setting	s	n, 9b	See Holiday Setting
78	UPnP Mode	s	n, 9c	00 to 01
79	Home Dashboard Lock	s	n, 9d	00 to 01
80	USB Lock	s	n, 9e	00 to 01
81	Wi-Fi Lock	s	n, 9f	00 to 01
82	Screen Share Lock	s	n, a0	00 to 01
83	Backup via Storage	s	n, a1	See Backup via Storage
84	Digital Audio Input	s	n, a2	00 to 01
85	Booting Logo Image	s	n, a3	00 to 01
86	SoftAP Mode	s	n, a4	00 to 01
87	Natural Size	s	n, a5	00 to 64
88	Clear Panel Noise	s	n, a6	01
89	Change PIN Code	s	n, a7	See Change PIN Code
90	Play Internal Storage Media	s	n, a8	Play Internal Storage Media
91	No Signal Image	s	n, a9	00 to 01
92	Audio Out	s	n, aa	00 to 02

* Note: Commands may not work when there is no external input used.

* Some commands may not be supported on some models.

Transmission/Reception Protocol

Transmission

[Command1][Command2][][Set ID][][Data][Cr]

- * [Command1]: Identifies between the factory setting and the user setting modes.
- * [Command 2]: This command is used to control the monitor.
- * [Set ID]: Used for selecting a set you want to control. A unique Set ID can be assigned to each set ranging from 1 to 1000 (01H to FFH) under Settings in the OSD menu. Selecting '00H' for Set ID allows the simultaneous control of all connected monitors. (The maximum value may differ depending on the model.)
- * [Data]: Transmits command data. Data count may increase depending on the command.
- * [Cr]: Carriage Return. This parameter corresponds to '0x0D' in ASCII code.
- * []: White Space. This parameter corresponds to '0x20' in ASCII code.

Acknowledgment

[Command2][][Set ID][][OK/NG][Data][x]

- * The product transmits an ACK (acknowledgment) based on this format when receiving normal data. At this point, if the data is FF, it indicates the present status data. If the data is in data write mode, it returns the data of the PC computer.
- * If a command is sent with Set ID '00' (=0x00), the data is reflected to all monitors and they do not send an acknowledgment (ACK).
- * If you send "FF" as the value of the data in control mode via RS-232C, you can check the value currently set for the relevant feature (not applicable to some features).
- * Some commands may not be supported on some models.

01. Power (Command: k a)

Controls the power on/off status of the monitor.

Transmission

[k][a][][Set ID][][Data][Cr]

Data 00: Off
01: On

Acknowledgment

[a][][Set ID][][OK/NG][Data][x]

- * The Acknowledgment signal is returned properly only when the monitor is fully powered on.
- * There may be a delay between the Transmission and Acknowledgment signals.

02. Select Input (Command: x b)

Selects an input signal.

Transmission

[x][b][][Set ID][][Data][Cr]

Data 20: AV
40: COMPONENT
60: RGB
70: DVI-D (PC)
80: DVI-D (DTV)
90: HDMI1 (DTV)
A0: HDMI1 (PC)
91: HDMI2/OPS (DTV)
A1: HDMI2/OPS (PC)
92: OPS/HDMI3/DVI-D (DTV)
A2: OPS/HDMI3/DVI-D (PC)
95: OPS/DVI-D (DTV)
A5: OPS/DVI-D (PC)
96: HDMI3/DVI-D (DTV)
A6: HDMI3/DVI-D (PC)
97: HDMI3/HDMI2/DVI-D (DTV)
A7: HDMI3/HDMI2/DVI-D (PC)
98: OPS (DTV)
A8: OPS (PC)
C0: DISPLAYPORT (DTV)
D0: DISPLAYPORT (PC)
E0: SuperSign webOS Player
E1: Others
E2: Multi Screen

Acknowledgment

[b][][Set ID][][OK/NG][Data][x]

- * Some input signals may not be available with certain models.
- * If it is not distributed from SuperSign W, WebOS Player returns NG.

03. Aspect Ratio (Command: k c)

Adjusts the aspect ratio of your monitor.

Transmission

[k][c][][Set ID][][Data][Cr]

Data 02: Full Wide
06: Original

Acknowledgment

[c][][Set ID][][OK/NG][Data][x]

- * The aspect ratio may differ depending on the model's input configuration.

04. Brightness Control (Command: j q)

Sets the brightness of your monitor.

Transmission

[j][q][][Set ID][][Data][Cr]

Data 00: Off
01: Minimum
02: Medium
03: Maximum
04: Automatic
05: Screen Off

Acknowledgment

[q][][Set ID][][OK/NG][Data][x]

- * This feature may not be supported on some models.

05. Picture Mode (Command: d x)

Selects a picture mode.

Transmission

[d][x][][Set ID][][Data][Cr]

Data 00: Mall/QSR
01: General
02: Gov./Corp.
03: Transportation
04: Education
05: Expert 1
06: Expert 2
08: APS
09: Photo
11: Calibration

Acknowledgment

[x][][Set ID][][OK/NG][Data][x]

- * Depending on the model, some picture modes may not be supported.

06. Contrast (Command: k g)

Adjusts the screen contrast.

Transmission

`[k][g][][Set ID][][Data][Cr]`

Data 00-64: Contrast 0-100

Acknowledgment

`[g][][Set ID][][OK/NG][Data][x]`**09. Color (Command: k i)**

Adjusts the screen colors.

Transmission

`[k][i][][Set ID][][Data][Cr]`

Data 00-64: Color 0-100

Acknowledgment

`[i][][Set ID][][OK/NG][Data][x]`**07. Brightness (Command: k h)**

Adjusts the screen brightness.

Transmission

`[k][h][][Set ID][][Data][Cr]`

Data 00-64: Brightness 0-100

Acknowledgment

`[h][][Set ID][][OK/NG][Data][x]`**10. Tint (Command: k j)**

Adjusts the screen tints.

Transmission

`[k][j][][Set ID][][Data][Cr]`

Data 00-64: Tint Red 50-Green 50

Acknowledgment

`[j][][Set ID][][OK/NG][Data][x]`**08. Sharpness (Command: k k)**

Adjusts the screen sharpness.

Transmission

`[k][k][][Set ID][][Data][Cr]`

Data 00-32: Sharpness 0-50

Acknowledgment

`[k][][Set ID][][OK/NG][Data][x]`**11. Color Temperature (Command: x u)**

Adjusts the screen color temperature.

Transmission

`[x][u][][Set ID][][Data][Cr]`

Data 70-D2: 3200K-13000K

Acknowledgment

`[u][][Set ID][][OK/NG][Data][x]`

12. Balance (Command: k t)

Adjusts the sound balance.

Transmission**[k][t][][Set ID][][Data][Cr]**

Data 00-64: Left 50-Right 50

Acknowledgment**[t][][Set ID][][OK/NG][Data][x]**

* This feature may not be supported on some models.

3. Sound Mode (Command: d y)

Selects a sound mode.

Transmission**[d][y][][Set ID][][Data][Cr]**

Data 01: Standard

02: Music

03: Cinema

04: Sports

05: Game

07: News (Clear Voice III)

Acknowledgment**[y][][Set ID][][OK/NG][Data][x]**

* This feature may not be supported on some models.

14. Mute (Command: k e)

Mutes/unmutes audio.

Transmission**[k][e][][Set ID][][Data][Cr]**

Data 00: Quiet (Sound Off)

01: Current Volume Level (Sound On)

Acknowledgment**[e][][Set ID][][OK/NG][Data][x]**

* This feature may not be supported on some models.

15. Volume Control (Command: k f)

Adjusts the playback volume.

Transmission**[k][f][][Set ID][][Data][Cr]**

Data 00-64: Volume 0-100

Acknowledgment**[f][][Set ID][][OK/NG][Data][x]**

* This feature may not be supported on some models.

16. Clock 1 (Year/Month/Day) (Command: f a)

Sets the Clock 1 (year/month/day) values and Auto Time.

Transmission**1. [f][a][][Set ID][][Data1][][Data2][][Data3][Cr]****2. [ff][a][][Set ID][][0][0][][Data1][Cr]**

1. When setting Clock 1 (year/month/day)

Data 1 00-: 2010-

Data 2 01-0C: January to December

Data 3 01-1F: 1st-31st

* The minimum and maximum values for Data1 differ depending on the product's release year.

* Enter "fa [Set ID] ff" to view Clock 1 (year/month/day) settings.

2. When Setting Auto Time

Data 1 00: Auto

01: Manual

* To view the set value of the Auto time, enter "fa [Set ID] 00 ff".

Acknowledgment**1. [a][][Set ID][][OK/NG][Data1][Data2][Data3][x]****2. [a][][Set ID][][OK/NG][0][0][Data1][x]****17. Clock 2 (Hour/Minute/Second) (Command: f x)**

Sets the Clock 2 values (hour/minute/second).

Transmission**[f][x][][Set ID][][Data1][][Data2][][Data3][Cr]**

Data1 00 to 17: Hour 00 to hour 23

Data2 00 to 3B: Minute 00 to minute 59

Data3 00 to 3B: Second 00 to second 59

* Enter "fx [Set ID] ff" to view the Time 2 (hour/minute/second) settings.

** This feature is only available when Clock 1 (year/month/day) has been set.

Acknowledgment**[x][][Set ID][][OK/NG][Data1][Data2][Data3][x]**

18. No Signal Power Off (15 Min) (Command: f g)

Sets the monitor to enter Automatic Standby mode if there is no signal for 15 minutes.

Transmission

[f][g][][Set ID][][Data][Cr]

Data 00: Off
01: On

Acknowledgment

[g][][Set ID][][OK/NG][Data][x]

19. No IR Power Off (Command: m n)

Activates Auto Power Off when there is no IR signal for 4 hours.

Transmission

[m][n][][Set ID][][Data][Cr]

Data 00: Off
01: On

Acknowledgment

[n][][Set ID][][OK/NG][Data][x]

20. Language (Command: f i)

Sets the OSD language.

Transmission

[f][i][][Set ID][][Data][Cr]

Data 00: Czech
01: Danish
02: German
03: English
04: Spanish (Europe)
05: Greek
06: French
07: Italian
08: Dutch
09: Norwegian
0A: Portuguese
0B: Portuguese (Brazil)
0C: Russian
0D: Finnish
0E: Swedish
0F: Korean
10: Chinese (Mandarin)
11: Japanese
12: Chinese (Cantonese)

Acknowledgment

[i][][Set ID][][OK/NG][Data][x]

21. Initial Settings (Command: f k)

Executes Reset.

Initialize Screen can only be executed in RGB input mode.

Transmission

[f][k][][Set ID][][Data][Cr]

Data 00: Picture Reset
01: Initialize Screen
02: Reset to Initial Settings

Acknowledgment

[k][][Set ID][][OK/NG][Data][x]

* This feature may not be supported on some models.

22. Current Temperature (Command: d n)

Checks the current temperature of the product.

Transmission

[d][n][][Set ID][][Data][Cr]

Data FF: Check status

Acknowledgment

[n][][Set ID][][OK/NG][Data][x]

* The temperature is displayed in hexadecimal.

23. Key (Command: m c)

Sends a key code for the IR remote control.

Transmission

[m][c][][Set ID][][Data][Cr]

Data IR_KEY_CODE

Acknowledgment

[c][][Set ID][][OK/NG][Data][x]

For key codes, see IR Codes.

* Some key codes may not be supported on some models.

24. Time Elapsed (Command: d l)

Displays the time that has elapsed after your monitor has turned on.

Transmission

```
[d][l][ ][Set ID][ ][Data][Cr]
```

Data FF: Reads status

Acknowledgment

```
[l][ ][Set ID][ ][OK/NG][Data][x]
```

* The data received is displayed in hexadecimal.

25. Product Serial Number (Command: f y)

Checks the serial number of the product.

Transmission

```
[f][y][ ][Set ID][ ][Data][Cr]
```

Data FF: Checks product serial number

Acknowledgment

```
[y][ ][Set ID][ ][OK/NG][Data][x]
```

* Data is in ASCII format.

26. Software Version (Command: f z)

Checks the software version of the product.

Transmission

```
[f][z][ ][Set ID][ ][Data][Cr]
```

Data FF: Checks software version

Acknowledgment

```
[z][ ][Set ID][ ][OK/NG][Data][x]
```

27. White Balance Red Gain (Command: j m)

Adjusts the red gain value for white balance.

Transmission

```
[j][m][ ][Set ID][ ][Data][Cr]
```

Data 00 to FE: Red gain 0 to 254
FF: Checks red gain value

Acknowledgment

```
[m][ ][Set ID][ ][OK/NG][Data][x]
```

28. White Balance Green Gain (Command: j n)

Adjusts the green gain value for white balance.

Transmission

```
[j][n][ ][Set ID][ ][Data][Cr]
```

Data 00 to FE: Green gain 0 to 254
FF: Checks green gain value

Acknowledgment

```
[n][ ][Set ID][ ][OK/NG][Data][x]
```

29. White Balance Blue Gain (Command: j o)

Adjusts the blue gain value for white balance.

Transmission

```
[j][o][ ][Set ID][ ][Data][Cr]
```

Data 00 to FE: Blue gain 0 to 254
FF: Checks blue gain value

Acknowledgment

```
[o][ ][Set ID][ ][OK/NG][Data][x]
```

30. White Balance Red Offset (Command: s x)

Adjusts the red offset value for white balance.

Transmission`[s][x][][Set ID][][Data][Cr]`Data 00 to 7F: Red offset 0 to 127
FF: Checks red offset value**Acknowledgment**`[x][][Set ID][][OK/NG][Data][x]`**33. Backlight (Command: m g)**

Adjusts the backlight brightness.

Transmission`[m][g][][Set ID][][Data][Cr]`

Data 00 to 64: Backlight 0 to 100

Acknowledgment`[g][][set ID][][OK/NG][Data][x]`**31. White Balance Green Offset (Command: s y)**

Adjusts the green offset value for white balance.

Transmission`[s][y][][Set ID][][Data][Cr]`Data 00 to 7F: Green offset 0 to 127
FF: Checks green offset value**Acknowledgment**`[y][][Set ID][][OK/NG][Data][x]`**34. Screen Off (Command: k d)**

Turns off/off the screen.

Transmission`[k][d][][Set ID][][Data][Cr]`Data 00: Screen On
01: Screen Off**Acknowledgment**`[d][][Set ID][][OK/NG][Data][x]`

* This feature may not be supported on some models.

32. White Balance Blue Offset (Command: s z)

Adjusts the blue offset value for white balance.

Transmission`[s][z][][Set ID][][Data][Cr]`Data 00 to 7F: Blue offset 0 to 127
FF: Checks blue offset value**Acknowledgment**`[z][][Set ID][][OK/NG][Data][x]`**35. Tile Mode (Command: d d)**

Sets a tile mode and values for the tile rows and columns.

Transmission`[d][d][][Set ID][][Data][Cr]`Data 00 to FF: the first byte - tile column
The second byte - tile row

* 00, 01, 10, and 11 mean that the tile mode is off

* The maximum value may differ depending on the model.

Acknowledgment`[d][][Set ID][][OK/NG][Data][x]`

* This feature may not be supported on some models.

36. Check Tile Mode (Command: d z)

Checks the tile mode.

Transmission`[d][z][][Set ID][][Data][Cr]`

Data FF: Checks Tile Mode

Acknowledgment`[z][][Set ID][][OK/NG][Data1][Data2][Data3][x]`Data 1 00: Tile Mode Off
01: Tile Mode on

Data 2 00 to 0F: tile column

Data 3 00 to 0F: tile row

* This feature may not be supported on some models.

37. Tile ID (Command: d i)

Sets the tile ID value of the product.

Transmission`[d][i][][Set ID][][Data][Cr]`Data 01 to E1: Tile ID 1 to 225
FF: Checks the Tile ID

* The data value cannot exceed the value of row x column.

Acknowledgment`[i][][Set ID][][OK/NG][Data][x]`

* If you enter a value that exceeds the value of row x column for the Data parameter, Ack becomes NG.

* This feature may not be supported on some models.

38. Natural Mode (In Tile Mode) (Command: d j)

To display the image naturally, the part of the image that would normally be displayed in the gap between the monitors is omitted.

Transmission`[d][j][][Set ID][][Data][Cr]`Data 00: Off
01: On**Acknowledgment**`[j][][Set ID][][OK/NG][Data][x]`

* This feature may not be supported on some models.

39. Energy Saving Settings (Command: f j)

Sets the Display Power Management feature.

Transmission`[f][j][][Set ID][][Data][Cr]`Data 00: Off
04: 1 minute
05: 3 minutes
06: 5 minutes
07: 10 minutes**Acknowledgment**`[j][][Set ID][][OK/NG][Data][x]`

* This feature may not be supported on some models.

40. Remote Control/Local Key Lock (Command: k m)

Adjusts the remote control/local key (front) lock.

Transmission`[k][m][][Set ID][][Data][Cr]`Data 00: Off (Lock Off)
01: On (Lock On)

* When the monitor is turned off, the power key works even in On (01) mode.

Acknowledgment`[m][][Set ID][][OK/NG][Data][x]`

* This feature may not be supported on some models.

41. Power On Delay (Command: f h)

Sets the schedule delay for when the power turns on (unit: seconds).

Transmission`[f][h][][Set ID][][Data][Cr]`

Data 00 to FA: min. 0 to max. 250 (seconds)

Acknowledgment`[h][][Set ID][][OK/NG][Data][x]`

* The maximum value may differ depending on the model.

42. Fail Over Select (Command: m i)

Sets an input mode for fail over.

Transmission

[m][i][][Set ID][][Data][Cr]

Data 00: Off
01: Auto
02: Custom

Acknowledgment

[i][][Set ID][][OK/NG][Data][x]

44. Remote Controller Key Lock (Command: t p)

Configures the settings of the product's remote control key.

Transmission

[t][p][][Set ID][][Data][Cr]

Data 00: All keys lock off
01: Locks on all keys except Power key
02: Locks on all keys

Acknowledgment

[p][][Set ID][][OK/NG][Data][x]

* When the monitor is turned off, the power key works even in the locks on all of the keys (02) mode.

43. Fail Over Input Select (Command: m j)

Selects an input source for fail over.

* This feature is only available when Fail Over is set to Custom.

Transmission

[m][j][][Set ID][][Data1][][Data2][][Data3][][Data4]

... [][DataN][Cr]

Data 1 to N (input priority 1 to N)
40: COMPONENT
60: RGB
70: DVI-D
90: HDMI1
91: HDMI2
92: OPS/HDMI3/DVI-D
95: OPS/DVI-D
96: HDMI3/DVI-D
97: HDMI3/HDMI2/DVI-D (DTV)
98: OPS
C0: DISPLAYPORT

Acknowledgment

[j][][SetID][][OK/NG][Data1][Data2][Data3][Data4]

...[DataN][x]

* Some input signals may not be available with certain models.

* The data number (N) may vary depending on the model. (The data number depends on the number of supported input signals.)

* This feature operates as the last input, and supports data in DTV format.

45. Local Key Lock (Command: t o)

Configures the local key operation settings of the product.

Transmission

[t][o][][Set ID][][Data][Cr]

Data 00: All keys lock off
01: Locks on all keys except Power key
02: Locks on all keys

Acknowledgment

[o][][Set ID][][OK/NG][Data][x]

* When the monitor is turned off, the power key works even in the locks on all of the keys (02) mode.

* This feature may not be supported on some models.

46 Status Check (Command: s v)

Checks the current signal of the product.

Transmission**[s][v][][Set ID][][Data][][FF][Cr]**

Data 02: Checks whether there is a signal
 03: The monitor is currently in PM Mode
 05: Checks whether luminance sensors 1 and 2 are functioning properly.

06: Luminance sensors currently being used:
 07: Checks whether the Top, Bottom and Main temperature sensors are functioning normally.
 08: The temperature of each temperature sensor when the monitor set was last powered off.
 09: Fan speed
 10: RGB Sensing OK/NG (screen fault detection)

Acknowledgment**[v][][Set ID][][OK/NG][Data][Data1][x]**

Data 02 (when a signal is found)

Data 1 00: No signal
 01: Signal present

Data 03 (when the monitor is currently in PM mode)

Data 1 00: Screen On is activated.
 01: Screen Off is activated.
 02: Screen Off Always is activated.
 03: Sustain Aspect Ratio is activated.
 04: Screen Off & Backlight is activated.

Data: 05 (when checking whether the luminance sensors are functioning properly)

Data 1 00: All sensors normal
 01: BLU sensor 1 normal, BLU sensor 2 down
 02: BLU sensor 1 down, BLU sensor 2 normal
 03: All sensors down

Data 06 (when checking which luminance sensor is in use)

Data 1 00: Luminance sensor 1 is in use.
 01: Luminance sensor 2 is in use.

Data 07 (when checking whether the Top, Bottom and Main temperature sensors are working properly)

Data 1 00: All temperature sensors faulty
 01: Top normal, Bottom faulty, Main faulty
 02: Top faulty, Bottom normal, Main faulty
 03: Top normal, Bottom normal, Main faulty
 04: Top faulty, Bottom faulty, Main normal
 05: Top normal, Bottom faulty, Main normal
 06: Top faulty, Bottom normal, Main normal
 07: All temperature sensors are normal

Data 10 (when executing Screen Fault Detection)

Data 1 00: Screen Fault Detection result NG
 07: Screen Fault Detection result OK

* When Screen Fault Detection is set to Off or not supported, execution results are rendered "NG."

Data (when checking the temperature of each temperature sensor when the monitor set was last powered off)

Acknowledgment**[v][][Set ID][][OK/NG][Data][Data1][Data2][Data3][x]**

Data 1 The temperature of the Top sensor when the monitor set was last powered off.

Data 2 The temperature of the Bottom sensor when the monitor set was last powered off.

Data 3 The temperature of the Main sensor when the monitor set was last powered off.

Data 09 (when checking the fan speed)

Acknowledgment**[v][][Set ID][][OK/NG][Data][Data1][Data2][x]**

Data 1 00-ff: The upper 1-byte of the fan speed

Data 2 00-ff: The lower 1-byte of the fan speed

Fan speed: 0 to 2008 in hexadecimal and 0 to 8200 in decimal

* This feature may not be supported on some models.

47. Screen Fault Detection (Command: t z)

Sets the Screen Fault Detection feature.

Transmission**[t][z][][Set ID][][Data][Cr]**

Data 00: Off

01: On

Acknowledgment**[z][][Set ID][][OK/NG][Data][x]**

* This feature may not be supported on some models.

48. Daylight Saving Time (Command: s d)

Sets Daylight Savings Time.

Transmission

```
[s][d][ ][Set ID][ ][Data1][ ][Data2][ ][Data3][ ][Data4][ ][Data5][ ][Cr]
```

Data 1 00: Off (Data 2-5: FF)
01: Start time
02: End time

Data 2 01-0C: January to December

Data 3 01 to 06: Weeks 1 to 6

* The maximum value of [Data3] may vary depending on the date.

Data 4 00 to 06 (Sunday to Saturday)

Data 5 00 to 17: Hour 00 to hour 23

* If you wish to read the start/end times, enter FF for parameters [Data2] through [Data5].

(E.g. 1: sd 01 01 ff ff ff ff - Checks the end time.)

(E.g. 2: sd 01 02 ff ff ff ff - Checks the start time.)

* This feature only works when Clock 1 (year/month/day) and Clock 2 (hour/minute/second) have been set.

Acknowledgment

```
[d][ ][Set ID][ ][OK/NG][Data1][Data2][Data3][Data4][Data5][x]
```

* This feature may not be supported on some models.

49. PM Mode (Command: s n, 0c)

Sets the PM mode.

Transmission

```
[s][n][ ][Set ID][ ][0c][ ][Data][Cr]
```

Data 00: Activates Power Off mode
01: Activates Sustain Aspect Ratio mode
02: Activates Screen Off mode
03: Activates Screen Off Always mode
04: Activates Screen Off & Backlight mode

Acknowledgment

```
[n][ ][Set ID][ ][OK/NG][0c][Data][x]
```

* This feature may not be supported on some models.

50. ISM Method (Command: j p)

Selects an ISM method.

Transmission

```
[j][p][ ][Set ID][ ][Data][Cr]
```

Data 01: Inversion (Invert)
02: Orbiter (Move)
04: White Wash (Remove; white pattern)
08: Normal (Standard)
20: Color Wash (Color pattern)
80: Washing Bar
90: User Image
91: User Video

* The jp command only works when the timer has been set to Immediately.

Acknowledgment

```
[p][ ][Set ID][ ][OK/NG][Data][x]
```

* This feature may not be supported on some models.

51. Network Settings (Command: s n, 80 or 81 or 82)

Configures network and DNS settings.

Transmission

[s][n][][Set ID][][Data1][][Data2][]

[Data3][][Data4][][Data5][Cr]

Data1 80: Configures/views the temporary IP mode (Auto/Manual), subnet mask, and gateway.

81: Configures/views the temporary DNS address.

82: Saves temporary settings and views information about the current network.

* If Data1 is 80,

Data 2 00: Auto

01: Manual

FF: Views the temporary IP mode (Auto/Manual), subnet mask, and gateway.

* If Data2 is 01 (Manual),

Data 3 Manual IP address

Data 4 Subnet mask address

Data 5 Gateway address

* If Data1 is 81,

Data 2 DNS address

FF: Displays the temporary DNS address.

* If Data1 is 82,

Data 2 80: Applies the temporarily saved IP mode (Auto/Manual), subnet mask and gateway.

81: Applies the temporary DNS address

FF: Information on the current network (IP, subnet gateway and DNS)

* An example of settings,

1. Auto: sn 01 80 00

2. Manual: sn 01 80 01 010177223241 255255254000
010177222001 (IP: 10.177.223.241, subnet:
255.255.254.0, gateway: 10.177.222.1)

3. Network read: sn 01 80 ff

4. DNS settings: sn 01 81 156147035018 (DNS: 156.147.35.18)

5. Applying the settings: sn 01 82 80 (applies the saved IP mode (auto/manual), subnet mask, and gateway), sn 01 82 81 (applies the saved DSN)

* Each IP address contains 12 decimal digits.

Acknowledgment

[n][][Set ID][][OK/NG][Data1][Data][x]

* This feature is available only for wired networks.

* This feature may not be supported on some models.

52. Auto Configuration (Command: j u)

Automatically corrects the position and shaking of the picture.

(Works only in RGB-PC input mode.)

Transmission

[j][u][][Set ID][][Data][Cr]

Data 01: Execution

Acknowledgment

[r][][Set ID][][OK/NG][Data][x]

* This feature may not be supported on some models.

53. H Position (Command: f q)

Adjusts the horizontal position of the screen.

* The operational range varies depending on the RGB input resolution.

(Works only in RGB-PC input mode.)

Transmission

[f][q][][Set ID][][Data][Cr]

Data 00-64: Min -50 (Left) to Max 50 (Right)

Acknowledgment

[q][][Set ID][][OK/NG][Data][x]

* This feature may not be supported on some models.

54. V Position (Command: f r)

Adjusts the vertical position of the screen.

* The operational range varies depending on the RGB input resolution.

(Works only in RGB-PC input mode.)

Transmission

[f][r][][Set ID][][Data][Cr]

Data 00-64: Min -50 (Down) to Max 50 (Up)

Acknowledgment

[r][][Set ID][][OK/NG][Data][x]

* This feature may not be supported on some models.

55. H Size (Command: f s)

Adjusts the horizontal size of the screen.

* The operational range varies depending on the RGB input resolution.

(Works only in RGB-PC input mode.)

Transmission

[f][s][][Set ID][][Data][Cr]

Data 00-64: Min -50 (Small) to Max 50 (Large)

Acknowledgment

[s][][Set ID][][OK/NG][Data][x]

* This feature may not be supported on some models.

56. Power On Status (Command: t r)

Sets the Power On status of the monitor.

Transmission

[t][r][][Set ID][][Data][Cr]

Data 00: LST (Maintains the previous power status)
01: STD (Keeps the power off)
02: PWR (Keeps the power on)

Acknowledgment

[r][][Set ID][][OK/NG][Data][x]

57. Wake On LAN (Command: f w)

Selects a Wake On LAN option.

Transmission

[f][w][][Set ID][][Data][Cr]

Data 00: Off
01: On

Acknowledgment

[w][][Set ID][][OK/NG][Data][x]

58. Intelligent Auto (Command: t i)

Selects an Intelligent Auto option.

Transmission

[t][i][][Set ID][][Data][Cr]

Data 00: Off
01: On

Acknowledgment

[i][][Set ID][][OK/NG][Data][x]

* This feature may not be supported on some models.

59. OSD Rotation (Command: t h)

Sets the OSD Rotation mode.

Transmission

[t][h][][Set ID][][Data][Cr]

Data 00: Off
01: 90 degrees
02: 270 degrees
03: 180 degrees

Acknowledgment

[h][][Set ID][][OK/NG][Data][x]

* This feature may not be available on some models.

60. Time Sync (Command: s n, 16)

Sets Time Sync.

Transmission

[s][n][][Set ID][][1][6][][Data][Cr]

Data 00: Off
01: On

* This feature only works when the monitor is in Master mode.

* This feature does not work if the current time is not set.

Acknowledgment

[n][][Set ID][][OK/NG][1][6][Data][x]

* This feature may not be supported on some models.

61. Content Sync (Command: t g)

Sets Content Sync.

Transmission`[t][g][][Set ID][][Data][Cr]`Data 00: Off
01: On**Acknowledgment**`[g][][Set ID][][OK/NG][Data][x]`

* This feature may not be supported on some models.

62. LAN Daisy Chain (Command: s n, 84)

Turns on/off LAN Daisy Chain.

Transmission`[s][n][][Set ID][][8][4][][Data][Cr]`Data 00: Off
01: On**Acknowledgment**`[n][][Set ID][][OK/NG][8][4][Data][x]`

* This feature may not be supported on some models.

63. Content Rotation (Command: s n, 85)

Turns on/off Content Rotation.

Transmission`[s][n][][Set ID][][8][5][][Data][Cr]`Data 00: Off
01: 90 degrees
02: 270 degrees
03: 180 degrees**Acknowledgment**`[n][][Set ID][][OK/NG][8][5][Data][x]`

* This feature may not be supported on some models.

64. Scan Inversion (Command: s n, 87)

Turns on/off Scan Inversion.

Transmission`[s][n][][Set ID][][8][7][][Data][Cr]`Data 00: Off
01: On**Acknowledgment**`[n][][Set ID][][OK/NG][8][7][Data][x]`

* This feature may not be supported on some models.

65. Beacon (Command: s n, 88)

Turns on/off Beacon.

Transmission`[s][n][][Set ID][][8][8][][Data][Cr]`Data 00: Off
01: On**Acknowledgment**`[n][][Set ID][][OK/NG][8][8][Data][x]`

* This feature may not be supported on some models.

66. Brightness Scheduling Mode (Command: s m)

Selects a Brightness Scheduling mode.

Transmission`[s][m][][Set ID][][Data][Cr]`Data 00: Brightness Scheduling off
01: Brightness Scheduling on

* This feature does not work if the current time is not set.

* This feature may not be supported on some models.

Acknowledgment`[m][][Set ID][][OK/NG][Data][x]`

67. Brightness Scheduling (Command: s s)

Sets Brightness Scheduling.

Transmission

[s][s][][Set ID][][Data1][][Data2][][Data3][Cr]

Data 1

1. f1 to f6 (data reading)

F1: Reads the 1st brightness schedule's data

F2: Reads the 2nd brightness schedule's data.

F3: Reads the 3rd brightness schedule's data.

F4: Reads the 4th brightness schedule's data.

F5: Reads the 5th brightness schedule's data.

F6: Reads the 6th brightness schedule's data.

FF: Reads all stored lists

3. e1 to e6 (Deletes one index), e0 (Deletes all indexes)

E0: Deletes all brightness schedules.

E1: Deletes the 1st brightness schedule.

E2: Deletes the 2nd brightness schedule.

E3: Deletes the 3rd brightness schedule.

E4: Deletes the 4th brightness schedule.

E5: Deletes the 5th brightness schedule.

E6: Deletes the 6th brightness schedule.

4. 00 to 17: Hour 00 to hour 23

Data 2 00 to 3B: Minute 00 to minute 59th

Data 2 00 to 64: Backlights 0 to 100

* To read or delete a brightness schedule you have set, [Data2][Data3] must be set to FF.

* If you want to read all configured brightness schedules through FF, do not enter any values in [Data2][Data3].

* When all configured brightness schedules are read through FF, OK is acknowledged even if there is no stored list.

Example 1: fd 01 f1 ff ff - Reads the 1st index data in Brightness Scheduling.

ex2: sn 01 1b ff ff ff ff - Reads all index data in in Brightness Scheduling.

Example 3: fd 01 e1 ff ff - Deletes the 1st index data in Brightness Scheduling.

Example 4: ss 01 07 1E 46 - Adds a schedule whose time is 07:30 and whose backlight is 70.

* This feature may not be supported on some models.

Acknowledgment

[s][][Set ID][][OK/NG][Data1][Data2][Data3][x]

68. Multi Screen Mode & Input (Command: x c)

Saves and controls Multi Screen modes and inputs.

Transmission

[x][c][][Set ID][][Data1][][Data2][][Data3][][Data4]

[][Data5][Cr]

Data 1 (Sets MultiScreen mode)

10: PIP

22: PBP2

23: PBP3

24: PBP4

Data 2 (Sets the MultiScreen Main Input)

Data 3 (sets the MultiScreen Sub1 Input)

Data 4 (sets the MultiScreen Sub2 Input)

Data 5 (sets the MultiScreen Sub3 Input)

80: DVI-D

90: HDMI1

91: HDMI2/OPS

92: OPS/HDMI3/DVI-D

95: OPS/DVI-D

96: HDMI3/DVI-D

97: HDMI3/HDMI2/DVI-D (DTV)

98: OPS

C0: DISPLAYPORT

Acknowledgment

[c][][Set ID][][OK/NG][][Data1][Data2][Data3][Data4]

[Data5][x]

* This feature may not be supported on some models.

* Only the input modes supported by the model works.

* This feature operates as the last input, and supports data in DTV format.

69. Aspect Ratio (Multi Screen) (Command: x d)

Saves and controls aspect ratios (Multi Screen).

Transmission

[x][d][][Set ID][][Data1][][Data2][Cr]

Data 1 Controls the Main input

02: Controls the Sub1 input

03: Controls the Sub2 input

04: Controls the Sub3 input

Data 2 00: Full

01: Original

Acknowledgment

[d][][Set ID][][OK/NG][Data1][Data2][x]

* This feature may not be supported on some models.

70. Screen Off (Multi Screen) (Command: x e)

Turns on/off each screen in the Multi Screen.

Transmission

[x][e][][Set ID][][Data1][][Data2][Cr]

Data 1 Controls the Main input
02: Controls the Sub1 input
03: Controls the Sub2 input
04: Controls the Sub3 input
Data 2 00: Screen off
01: Turns the screen off.

* This feature only works when the Multi Screen app is running.

* This feature does not work when there is no signal.

Acknowledgment

[e][][Set ID][][OK/NG][Data1][Data2][x]

* This feature may not be supported on some models.

71. Screen Off Always (Command: s n, Od)

If you activate the Screen Off Always feature, the monitor enters Screen Off mode regardless of whether or not you have activated PM mode.

Transmission

[s][n][][Set ID][][0][d][][Data][Cr]

Data 00: Off
01: On

Acknowledgment

[n][][Set ID][][OK/NG][0][d][Data][x]

* This feature may not be supported on some models.

72. Screen Video Freeze (Command: k x)

Turns on/off the Screen Video Freeze feature.

Transmission

[k][x][][Set ID][][Data][Cr]

Data 00: Turns on the freeze function.
01: Turns off the Freeze feature.

* This feature only works in single input mode.

Acknowledgment

[x][][Set ID][][OK/NG][Data][x]

* This feature may not be supported on some models.

73. Wireless Wake On LAN (Command: s n, 90)

Sets the Wireless Wake-on-LAN feature.

Transmission

[s][n][][Set ID][][9][0][][Data][Cr]

Data 00: Off
01: On

Acknowledgment

[n][][Set ID][][OK/NG][9][0][Data][x]

* This feature may not be supported on some models.

74. OSD Output (Command: k l)

Selects an OSD Output option.

Transmission

[k][l][][Set ID][][Data][Cr]

Data 00: Off (OSD Lock: On)
01: On (OSD Lock: Off)

Acknowledgment

[l][][Set ID][][OK/NG][Data][x]

75. HDMI IT Contents (Command: s n, 99)

Automatically sets the picture mode based on HDMI data.

Transmission

[s][n][][Set ID][][9][9][][Data][Cr]

Data 00: Off
01: On

Acknowledgment

[n][][Set ID][][OK/NG][9][9][Data][x]

* This feature may not be supported on some models.

76. On/Off Time Scheduling (Command: s n, 9a) Sets on/off time schedules.

Transmission

1. [s][n][][Set ID][][9][a][][Data1][][Data2][][Data3][][Data4][][Data5][Cr]
2. [s][n][][Set ID][][9][a][][Data1][][Data2][Cr]
3. [s][n][][Set ID][][9][a][][Data1][Cr]

1. Setting an On/Off Time

Data 1 Select the desired day of the week

- 01: Sunday
- 02: Monday
- 03: Tuesday
- 04: Wednesday
- 05: Thursday
- 06: Friday
- 07: Saturday

Data 2 Set an On Time (hour)

00 to 17: Hour 00 to hour 23

Data 3 Set an On Time (minute)

00 to 3B: Minute 00 to minute 59

Data 4 Set an Off Time (hour)

00 to 17: Hour 00 to hour 23

Data 5 Set an Off Time (minute)

00 to 3B: Minute 00 to minute 59

2. Checking a Schedule

Data 1 Select the desired schedule.

- F1: Reads the schedule for Sunday
- F2: Reads the schedule for Monday
- F3: Reads the schedule for Tuesday
- F4: Reads the schedule for Wednesday
- F5: Reads the schedule for Thursday
- F6: Reads the schedule for Friday
- F7: Reads the schedule for Saturday

Data 2

FF

3. Deleting a Schedule

- E0: Deletes all schedules
- E1: Deletes the schedule for Sunday
- E2: Deletes the schedule for Monday
- E3: Deletes the schedule for Tuesday
- E4: Deletes the schedule for Wednesday
- E5: Deletes the schedule for Thursday
- E6: Deletes the schedule for Friday
- E7: Deletes the schedule for Saturday

* This feature does not work if the current time is not set.

Acknowledgment

1. [n][][Set ID][][OK/NG][9][a][][Data1][][Data2][][Data3][][Data4][][Data5][x]
2. [n][][Set ID][][OK/NG][9][a][f][1-7][][Data1][][Data2][][Data3][][Data4][][Data5][x]
3. [n][][Set ID][][OK/NG][9][a][Data1][x]

* This feature may not be supported on some models.

77. Holiday Setting (Command: s n, 9b) Sets holidays.

Transmission

1. [s][n][][Set ID][][9][b][][Data1][][Data2][][Data3][][Data4][][Data5][][Data6][Cr]
2. [s][n][][Set ID][][9][b][][Data1][][Data2][Cr]
3. [s][n][][Set ID][][9][b][][Data1][Cr]

1. Setting a Holiday

Data 1 Start year

00-: 2010-

Data 2 Start month

01 to 0c: January to December

Data 3 Start date

01 to 1F: 1st to 31st

Data 4 For how long from the start year/month/date

01-07: For 1 to 7 days

Data 5 Repetition

- 00: None
- 01: Every month
- 02: Every Year

Data 6 Repeats the schedule on a date/day-of-the-week basis.

- 01: On a date basis.
- 02: On a day-of-the-week basis.

* The minimum and maximum values for Data1 differ depending on the product's release year.

* You can input a value for [Data 6] only when a value has already been set for [Data 5] (every year or every month).

2. Checking a Schedule

Data 1 Select the desired schedule.

- F1: Reads the 1st schedule
- F2: Reads the 2nd schedule
- F3: Reads the 3rd schedule
- F4: Reads the 4th schedule
- F5: Reads the 5th schedule
- F6: Reads the 6th schedule
- F7: Reads the 7th schedule

Data 2

FF

3. Deleting a Schedule

- E0: Deletes all schedules
- E1: Deletes the 1st schedule
- E2: Deletes the 2nd schedule
- E3: Deletes the 3rd schedule
- E4: Deletes the 4th schedule
- E5: Deletes the 5th schedule
- E6: Deletes the 6th schedule
- E7: Deletes the 7th schedule

* This feature does not work if the current time is not set.

Acknowledgment

1. [n][][Set ID][][OK/NG][9][b]
[Data1][Data2][Data3][Data4][Data5][Data6][x]
2. [n][][Set ID][][OK/NG][9][b][f][1-7]
[Data1][Data2][Data3][Data4][Data5][Data6][x]
3. [n][][Set ID][][OK/NG][9][b][Data1][x]

* This feature may not be supported on some models.

78. UPnP Mode (Command: s n, 9c)

Sets UPnP.mode.

Transmission

[s][n][][Set ID][][9][c][][Data][Cr]

Data 00: Off

01: On

Acknowledgment

[n][][Set ID][][OK/NG][9][c][Data][x]

* This feature may not be supported on some models.

* Changing UPnP mode results in a reboot.

79. Home Dashboard Lock (Command: s n, 9d)

Sets Home Dashboard Lock.

Transmission

[s][n][][Set ID][][9][d][][Data][Cr]

Data 00: Off

01: On

Acknowledgment

[n][][Set ID][][OK/NG][9][d][Data][x]

* This feature may not be supported on some models.

80. USB Lock (Command: s n, 9e)

Sets USB Lock.

Transmission

[s][n][][Set ID][][9][e][][Data][Cr]

Data 00: Off

01: On

Acknowledgment

[n][][Set ID][][OK/NG][9][e][Data][x]

* This feature may not be supported on some models.

81. Wi-Fi Lock (Command: s n, 9f)

Sets Wi-Fi Lock.

Transmission

[s][n][][Set ID][][9][f][][Data][Cr]

Data 00: Off

01: On

Acknowledgment

[n][][Set ID][][OK/NG][9][f][Data][x]

* This feature may not be supported on some models.

82. Screen Share Lock (Command: s n, a0)

Sets Screen Share Lock.

Transmission

[s][n][][Set ID][][a][0][][Data][Cr]

Data 00: Off
01: On**Acknowledgment**

[n][][Set ID][][OK/NG][a][0][Data][x]

* This feature may not be supported on some models.

84. Digital Audio Input (Command: s n, a2)

Sets Digital Audio Input.

Transmission

[s][n][][Set ID][][a][2][][Data][Cr]

Data 00: Digital
01: Analog**Acknowledgment**

[n][][Set ID][][OK/NG][a][2][Data][x]

* This feature may not be supported on some models.

83. Backup via Storage (Command: s n, a1)

Sets Backup via Storage.

Transmission

1. [s][n][][Set ID][][a][1][][Data1][Cr]

2. [s][n][][Set ID][][a][1][][Data1][Data2][Cr]

1. Disabling Backup via Storage.

Data 1 00: Off

2. Setting Backup via Storage to Auto

Data 1 01: Auto
Data 2 01: 30 Min
02: 1 Hour
03: 2 Hour
04: 3 Hour

3. Setting Backup via Storage to Manual

Data 1 02: Manual

4. Setting Backup via Storage to SuperSign Content

Data 1 03: SuperSign content

Acknowledgment

1. [n][][Set ID][][OK/NG][a][1][Data1][x]

2. [n][][Set ID][][OK/NG][a][1][Data1][Data2][x]

* This feature may not be supported on some models.

85. Booting Logo Image (Command: s n, a3)

Sets Booting Logo Image.

Transmission

[s][n][][Set ID][][a][3][][Data][Cr]

Data 00: Off
01: On**Acknowledgment**

[n][][Set ID][][OK/NG][a][3][Data][x]

* This feature may not be supported on some models.

86. SoftAP Mode (Command: s n, a4)

Sets SoftAP Mode.

Transmission

[s][n][][Set ID][][a][4][][Data][Cr]

Data 00: Off
01: On**Acknowledgment**

[n][][Set ID][][OK/NG][a][4][Data][x]

* This feature may not be supported on some models.

87. Natural Size (Command: s n, a5)

Sets Natural Size.

Transmission`[s][n][][Set ID][][a][5][][Data][Cr]`

Data 00-64: Natural Size 0-100

Acknowledgment`[n][][Set ID][][OK/NG][a][5][Data][x]`

* This feature may not be supported on some models.

88. Clear Panel Noise (Command: s n, a6)

Immediately executes Clear Panel Noise.

Transmission`[s][n][][Set ID][][a][6][][Data][Cr]`

Data 01: Execution

Acknowledgment`[n][][Set ID][][OK/NG][a][6][Data][x]`

* This feature may not be supported on some models.

89. Change PIN Code (Command: s n, a7)

Changes PIN Code.

Transmission`[s][n][][Set ID][][a][7][][Data1][Data2][Data3][Data4][][Data5][Data6][Data7][Data8][Cr]`

Data 1-4: 0-9 (Existing PIN code)

Data 5-8: 0-9 (New PIN code)

Acknowledgment`[n][][Set ID][][OK/NG][a][7][][Data1][Data2][Data3][Data4][][Data5][Data6][Data7][Data8][x]`

* This feature may not be supported on some models.

90. Play Internal Storage Media (Command: s n, a8)

Plays the media stored on the monitor's internal storage.

Internal storage media: videos and images stored on the monitor's internal storage after being exported via Contents Management Player.

Not applicable: Template content, SuperSign content, and playlist content.

Transmission`[s][n][][Set ID][][a][8][][Data][Cr]`

Data 01: Play

Acknowledgment`[n][][Set ID][][OK/NG][a][8][][Data][x]`

* This feature may not be supported on some models.

91. No Signal Image (Command: s n, a9)

Turns on/off No Signal Image.

Transmission`[s][n][][Set ID][][a][9][][Data][Cr]`

Data 00: Off

01: On

Acknowledgment`[n][][Set ID][][OK/NG][a][9][Data][x]`

* This feature may not be supported on some models.

92. Audio Out (Command: s n, aa)**Controls the status of Audio Out (Volume Mute, Variable, Fixed, or Off).****Transmission**`[s][n][][Set ID][][a][a][][Data][Cr]`

Data 00: Off

01: Variable

02: Fixed

Acknowledgment`[n][][Set ID][][OK/NG][a][a][Data][x]`

* This feature may not be supported on some models.

