

# ***Fellowes***

Let your  
productivity flow



Vista™  
**Single Monitor Arm**

# VISTA™

## Single Monitor Arm

### Features:

- Achieve balanced control and stay focused and flexible with our easy to use monitor arm range
- Tool free monitor height and depth adjustment for a comfortable workspace to reduce your risk of eye, neck and back strain
- Independently tested to meet ergonomic requirements outlined in European Health and Safety Legislation: EN ISO 9241-5
- Holds one screen up to 10kg and 32"
- 88% recyclable



### Specification:

|                                     |                                     |
|-------------------------------------|-------------------------------------|
| Code                                | 8041601                             |
| Colour                              | Black: RAL 9017                     |
| Product Dimensions (H x W x D)      | 533 x 111 x 610 mm                  |
| Product Weight                      | 3.51 kg                             |
| Outer Carton Dimensions (H x W x D) | 453 x 210 x 260 mm                  |
| Outer Carton Weight                 | 4.04 kg                             |
| Pole Height                         | 414 mm                              |
| Height Adjustment Measurement       | 85 – 406 mm                         |
| Reach Range                         | 115 – 556mm                         |
| Rotation                            | 180°                                |
| Pan                                 | +/-90° (180°)                       |
| Tilt                                | +/-37° (74°)                        |
| Arm Swivel                          | 360°                                |
| VESA                                | 75 x 75 / 100 x 100                 |
| Weight Capacity (kg)                | 10kg                                |
| Maximum Monitor Size                | 32" (81.28) diagonally / 812 mm (H) |
| Retail Barcode (UPC)                | 043859594214                        |
| Outer Carton Barcode (SCS)          | 50043859594219                      |
| Quantity per Outer Carton           | 1                                   |
| Country of Origin                   | China                               |
| Warranty                            | 5 years limited                     |

## Environmental:

| Product      | Product Material Breakdown |             | Product Recycled Content          |                                    |                            |
|--------------|----------------------------|-------------|-----------------------------------|------------------------------------|----------------------------|
|              | Weight (g)                 | Weight (%)  | Pre-Consumer Recycled Content (g) | Post Consumer Recycled Content (g) | Total Recycled Content (%) |
| Aluminium    | 838.80                     | 24.6%       | -                                 | -                                  | -                          |
| Steel        | 2339.20                    | 68.7%       | -                                 | -                                  | -                          |
| Plastic      | 225.00                     | 6.6%        | -                                 | -                                  | -                          |
| <b>Total</b> | <b>3403.00</b>             | <b>100%</b> | <b>-</b>                          | <b>-</b>                           | <b>-</b>                   |

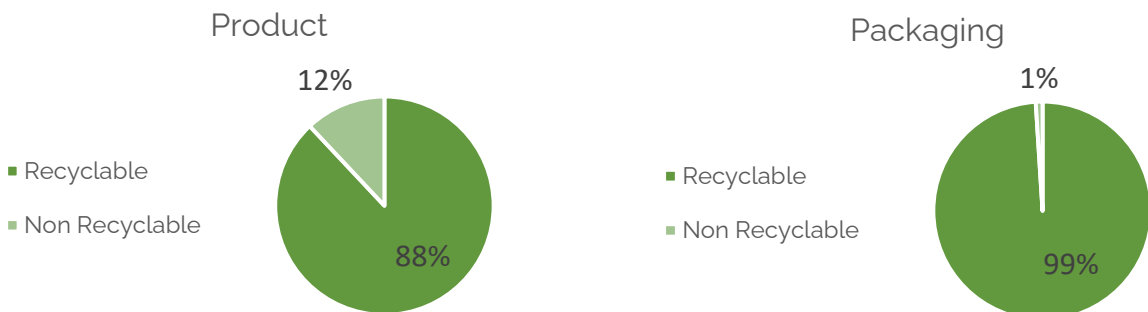
| Packaging                 | Product Material Breakdown |             | Product Recycled Content          |                                    |                            |
|---------------------------|----------------------------|-------------|-----------------------------------|------------------------------------|----------------------------|
|                           | Weight (g)                 | Weight (%)  | Pre-Consumer Recycled Content (g) | Post Consumer Recycled Content (g) | Total Recycled Content (%) |
| Paper / Card / Corrugated | 514.80                     | 97.7%       | 183.33                            | -                                  | 36%                        |
| LDPE (4) plastic bag      | 8.00                       | 1.5%        | -                                 | -                                  | -                          |
| Tape                      | 4.00                       | 0.8%        | -                                 | -                                  | -                          |
| <b>Total</b>              | <b>283.30</b>              | <b>100%</b> | <b>183.33</b>                     | <b>-</b>                           | <b>34.8%</b>               |

**Pre-Consumer Recycled Content:** Waste material that was created during the process of manufacturing or delivering goods prior to their delivery to consumers.

**Post-Consumer Recycled Content:** Waste material created by consumers. This material is diverted from landfills and utilized in the production of other commodities.

## Recyclability:

Percentage of the product and packaging that can be easily separated for recycling.



## Ergonomic Working:

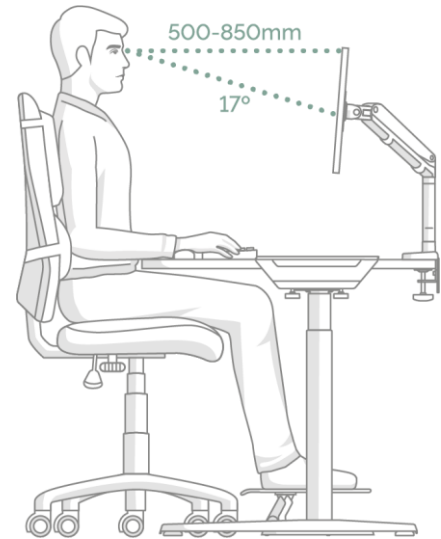


### ZONE 3 RELIEVE NECK STRAIN

Achieve comfortable viewing.  
Ensure your eyes are in line with  
the top of your screen.

### How to use a monitor arm

- 1. Arms Reach:** Whether sitting or standing check that your monitor is positioned so you can touch the screen with your fingertips and that you can easily read what is on your screen without straining.
- 2. Eye level:** Adjust the monitor arm until the top of your monitor/s are roughly level with your eyes.
- 3. Tilt:** Tilting the screen slightly upwards can help achieve a more neutral posture and reduce glare.
- 4. Multiple screens:** If you're using more than one monitor make sure:
  - The tops of each screen are level and positioned side by side;
  - You sit in the middle or in front of your main screen to reduce twisting and turning.



## Certifications:

EN ISO 9241-5 1999 Ergonomic requirements for office work with visual display terminals (VDT's): part 5: 1999, workstation layout and postural requirements.

ANSI / BIFMA x5.5 – 2014 Desk/Table Products. Clause 22, 23, 24.



## Aftercare:

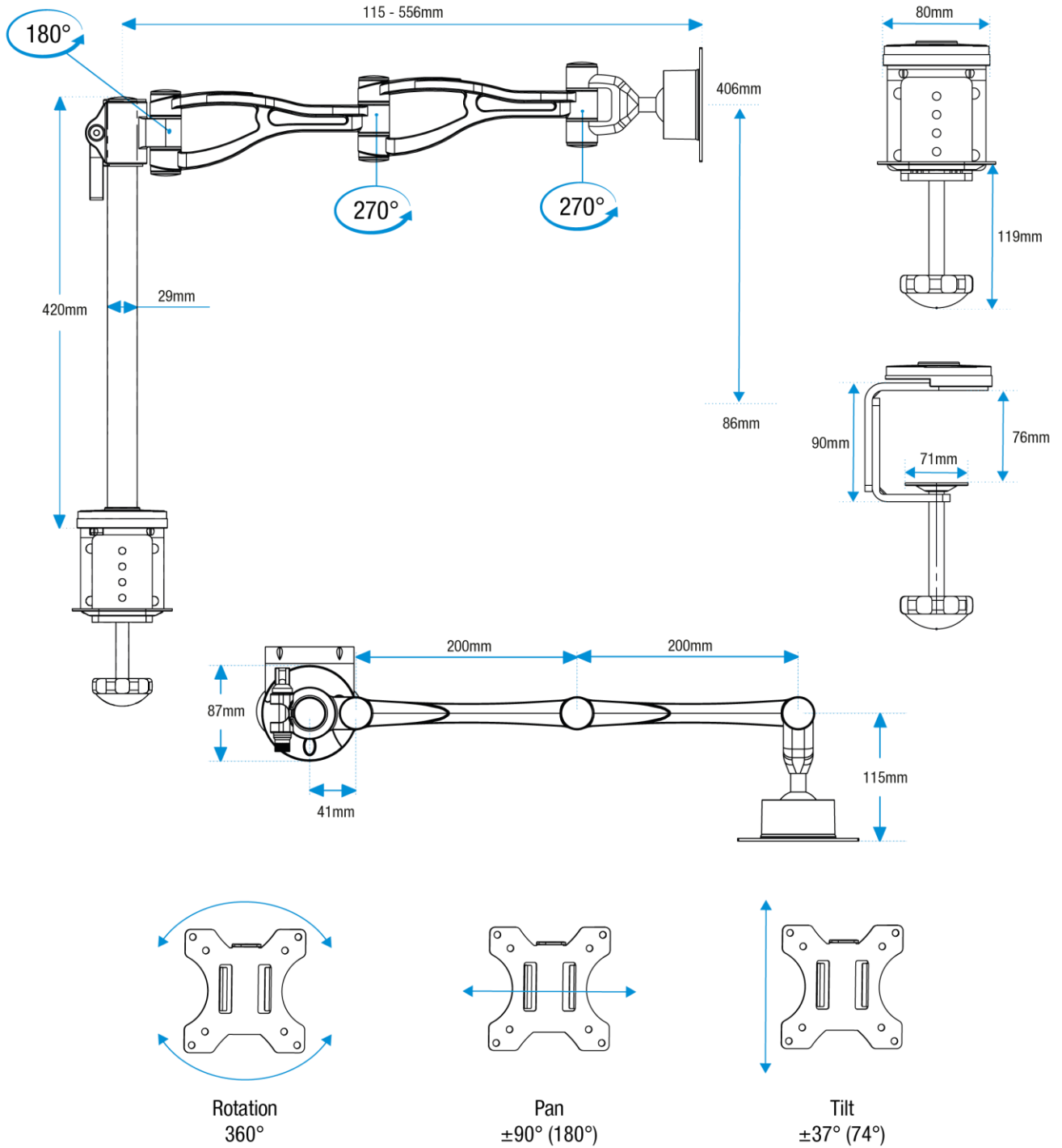
**Servicing:** Check joint parts regularly to make sure the screws have not loosened.

**Spare Parts:** Available. Contact [CS-UK@Fellowes.com](mailto:CS-UK@Fellowes.com) or telephone 00800 18101810.

**Cleaning:** Wipe over with a damp microfibre cloth. Do not use any cleaning solutions.

**Handling & Storage:** Read and follow all instructions and warnings before use. This product is intended for indoor use only.

Dimensional Drawings:



Every effort has been made to ensure that information provided in this document is up to date and accurate. However, Fellowes cannot guarantee and assumes no legal liability or responsibility for the accuracy or completeness of the information provide. In case of any query please contact us as [www.Fellowes.com/locations](http://www.Fellowes.com/locations).