

TECHNICAL SHEET

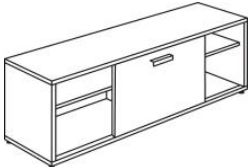

MOKA

CHARACTERISTICS

DESKS

MELAMINE DESKTOPS	<p>Melamine covered particle board panels 25 mm thick. 2 sides treated with an anti-reflective coating Panel density 630-710 kg/m³ Bonded ABS edge banding 2 mm thick, rounded on upper and lower edges. Edge banding to match worktop finish Desktop ready-drilled for cable ports ø 80 mm.</p> <p>Panels sourced from sustainably managed forests (PEFC). Fire rating M3 (combustible, moderately flammable) in accordance with the standard NF EN 13501-1 Panels are certified E1 (control of formaldehyde emissions), emitting 6.5 mg HCNO/100 mg and compliant with standard NF EN 717-2</p> <p>Melamine panels (except Brunswick oak R3 and Coffee oak M9) comply with the standard ISO 22196 for antibacterial properties.</p>
STRUCTURE	<p>Structural melamine modesty board matched to desktop finish, 25 mm thick. Modesty board with openings in the upper extremities to facilitate cable routing with ABS ring ø 60 mm in Aluminium grey</p>
LEGS	<p>Melamine panel legs 25 mm thick, with brace in the upper section in injected ABS in aluminium grey H.19 mm and rectangular metal pads at the bottom H. 8 mm in Aluminium grey</p> <p>Adjustable stabiliser feet with adjustment through 15 mm.</p>


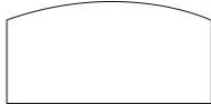
EASY REACH STORAGE

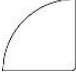
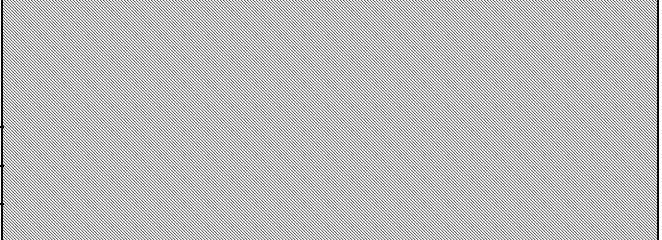
<p>STORAGE UNIT WITH SLIDING DOORS</p> 	<p>Return unit dimensions: L. 1600 x H. 618 x D. 432 mm</p> <p>Top and sides 25 mm thick and edge banding 2 mm thick Plinth and sides in counterbalanced melamine, 19 mm thick. Narrow edge banding.</p> <ul style="list-style-type: none"> - Shelves and backs in counterbalanced melamine, 19 mm thick. Narrow edge banding. - Unit composed of two independent half-back pieces placed indiscriminately on either side of the unit. - Unit fitted with guide rails on both sides to take an optional door. 1 door included in counterbalanced melamine, 19 mm thick, 2nd optional door.
<p>MOBILE PEDESTALS</p> 	<p>Mobile pedestal dimensions: L. 420 x H. 591 x D. 560 mm</p> <p>2 pedestals (one for SF) and one with 3 drawers Melamine panels 19 mm thick for the body, 25 mm for the top. 4 castors ø 50 mm (5 for the SF version), 2 with brakes Metal drawers: metal with ball-bearing runners and soft closing mechanism, selective opening, Central closure with locking bar, 2 keys.</p> <p>Top drawer with ABS pen tray, 80% extraction, 100% extraction for SF drawer. Lacquered metal handles (spacing 96 mm) specific to the range For more information consult the MELINA technical sheet</p>

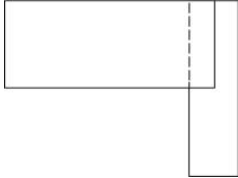
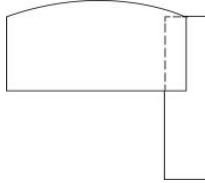


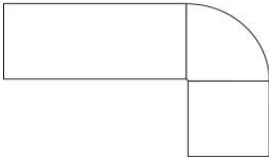
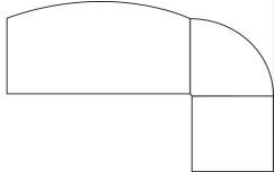
DIMENSIONS

OVERALL DIMENSIONS (in mm)

INDIVIDUAL DESKS		
Depth	800	800
Width	800 / 1600 / 1800	1800
Fixed leg height	735	735

ANGLE		
Depth	800	
Width	800	
Fixed leg height	735	

DESKS WITH STRUCTURAL RETURN UNIT		
Depth	1600	1770
Width	1820 / 2020	2020
Fixed leg height	735	735

PANORAMIC DESKS		
Depth	1600	1770
Width	2400 / 2600	2600
Fixed leg height	735	735

Made
in France



Antibacterial
surface

