

Lutz 2

TECHNICAL DATA SHEET



EUROPEAN
OFFICE
FURNITURE
MANUFACTURER



Worktop

Melamine-covered particle board panels Thk 19 or 25 mm

Electric drive (1 motor)

- Height-adjustable from 71.5 to 117.5 cm
- Control unit with digital display panel
- 3-position memory function
- Built-in USB charger (A & C)
- Alarm for scheduling reminders to change position



Base/legs

- Square-section uprights, 70 x 70 mm
- 2 telescopic shafts

Rounded base

With stabiliser feet (+ 20 mm)
Option: Castors with brakes, ø 40 mm
(suitable for all floor types)



Built-in anti-collision system



Worktops



Standard melamine

- › Melamine-covered particle board panels, thk 19 or 25 mm, with an anti-reflective coating on both sides
- › Panel density: - Thk 19 mm: 620 to 690 kg/m³
- Thk 25 mm: 600 to 670 kg/m³
- › Flat edge banding (2 mm thick) made from a strip of glued ABS, with rounded edges
- › Edge banding in same finish as worktop (except for Maritime pine N8, which comes with plywood edge banding)



Soft-touch black velvet melamine

- › Matt finish with a high-quality multi-layer coating
- › Panel density: 600 to 620 kg/m³
- › Flat edge banding (2 mm thick) in Black, made from a strip of glued ABS, with rounded edges



Panels sourced from sustainably managed forests - **PEFC**

- › Panels have a **fire-resistance rating of M3** (combustible, moderately flammable) as per standard **NF EN 13501-1**
- › Panels have a **formaldehyde emissions rating of E05**, with a maximum of 0.062 mg/m³ or a limit of 0.05 ppm and comply with standard **NF EN 717**
- › Melamine panels (except Black velvet MK) have an **antibacterial surface** that meets **standard ISO 22196**
- › 68% on average from recycled materials (pre- and post-consumer) - 100% recyclable

Structure/Base



Structure

- › Structure with 2 centrally positioned legs:
 - Square-section metal uprights, 70 x 70 mm / 65 x 65 mm, thk 1.5 mm, with 2 telescopic shafts
 - Base W. 700 x 90 mm with curved ends and stabiliser feet (adjustment range 20 mm)
- › Optional castors available to replace the stabiliser feet
- › 1 structural telescopic metal frame, adjustable from 1075 to 1720 mm
- › 2 upper crossbeams made from tubular steel, L. 600 x H. 52 x W. 30 mm (thk 3 mm)
- › Epoxy powder finish in a choice of 3 colours: White (RAL 9010), Silver grey (RAL 9006) or Black (RAL 9005)



Castors (optional)

- › Set of 4 castors (for individual desks):
 - Black ABS castors with brakes, ø 40 mm with grey roller bands, suitable for all floor types
 - Mounted on the base instead of the stabiliser feet
- › Castors increase the worksurface height by 30 mm
- › Compatible with individual desks of D. 700 or 800 mm

Fastening of the worktop to the structure

- › Secured using metal inserts and screws, facilitating assembly and dismantling
- › Excellent level of tensile strength (140 kg per insert, under testing conditions)



Electric adjustment system



› Electric height-adjustment system

- From 710 to 1170 mm (including worktop, thk 19 mm)
- From 715 to 1175 mm (including worktop, thk 25 mm)
- H. + 30 mm for versions with castors

› 1 electric motor located under the worktop within a plastic housing:

- Lift speed: 25 mm/sec
- Thrust force: 1000 N
- Max. load per worktop: 100 kg
- Noise level: maximum 50 dB

› Power supply unit:

- 100-240 V, 50/60 Hz, 4A with a power supply cable (L. 3.5 m)
- Supplied with either an EU or a UK plug
- Max. power consumption during operation 240 W - Standby power consumption: max. 0.3 W

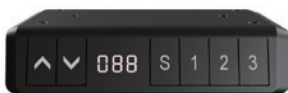
› Control unit:

- Digital display panel with a 3-position memory function and a USB charger (A & C)
- The control unit is secured below the worktop, at the left or right edge
- Leave enough space to access the USB port if there is a piece of furniture or a wall next to the worktop.

› Built-in anti-collision system:

- In the event of a collision, the desk stops moving and lifts or lowers by 2 cm
- Code «E05» will be displayed on the control unit

How to use the control unit (see user manual)



› Operation:

- Plug the cable into a power outlet. The code «000» appears on the display panel.
- The desk/table is ready for use.
- Press «^» or «v» to raise or lower the desk.

› Reset:

- Hold down the «v» button until the desk is in the lowest position.
- Release the button, then press and hold the «v» button for 5 seconds until you hear a beep.

› Using the memory function:

- Raise or lower the worktop to the desired height.
- Press «S» and then «1» to save the height as Position 1.
- Repeat the steps to save other height positions (a maximum of 3 heights can be saved).
- The height positions will remain in the memory even if the power cable is unplugged.

› Reminder to stand up:

- To activate the timer, press «1» and «3» simultaneously, «0;0h» will be displayed. Then press «^» or «v» to adjust the timing. The timer can be set in half-hour increments (0.5)

› Other possible adjustments (refer to the user manual for full details):

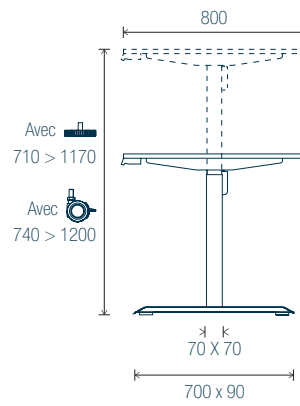
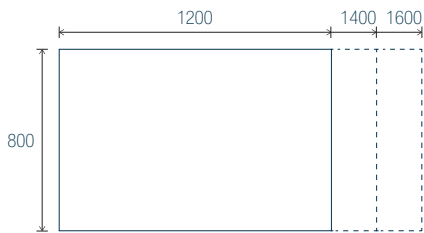
- Set a minimum or a maximum height.
- Lock/unlock the desk.
- Other settings (sensitivity of the anti-collision system, etc.)

ⓘ All the components must be installed to ensure correct operation.
If the system is not working correctly, please contact us

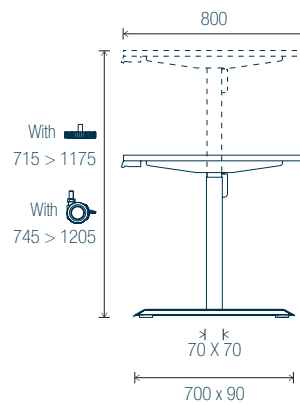
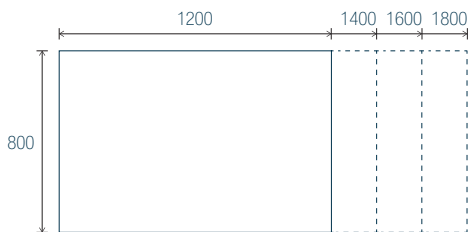


Individual desks

19 mm thick worktops



25 mm thick worktops





Power & cable management

19 mm thick worktops:



- › **Plain** (openings for cable ports must be created using a hole saw or by special order)

25 mm thick worktops:



- › **2 pre-drilled openings \varnothing 80 mm:**
 - for cable ports (sold separately)



- › **Scalloped edge:**
 - in the middle of the desk, D. 80 mm



- › **Opening for a soft-closing top-access module:**
 - Pre-drilled opening for a one-way top-access module W. 240 x D. 120 mm (top-access module must be ordered separately)
 - Single-compartment metal cable trough included, in same finish as desk legs

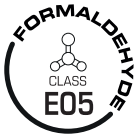
Full details of our power and cable management solutions are available

Click here >





PEFC is the world's leading forest certification system and largest source of eco-certified forest products.



An E05 rating corresponds to a maximum of 0.062 mg/m³ or a limit of 0.05 ppm and comply with standard NF EN 717-1 and is the most stringent of the ratings authorised in France for furniture and construction materials



Antibacterial surface. Guaranteed on all melamine worktops except MK Black velvet finish



All the components of the desk (top, structure & legs, motor, power supply unit & control unit) are guaranteed for 5 years



85% of this range is made from recycled materials



Wood

	Melamine	
	Thick 19 mm	Thick 25 mm
	Worktops	Worktops
Double-sided anti-reflective coating	✓	✓
Finishes	MG - RI	All
MK Black velvet finish Matt, highly resistant to fingerprints/smudging: High-quality multi-layer coating	-	✓
Shock-resistant, with rounded edges ⁽¹⁾	✓	✓
Antibacterial (except MK Black velvet)	✓	✓
Density ⁽²⁾	620 > 690 kg/m ³	600 > 670 kg/m ³
PEFC (sourced from sustainably managed forests)	✓	✓
E05 certified (compliant with standard NF EN 717)	✓	✓
Fire rating (compliant with standard EN 13501-1)	Rating M3 (EUROCLASS D-S2, d0) for all finishes; rating M2 for White MG.	
Average % from recycled materials (pre- and post-consumer)	68%. Shades R3, M9, N9, MK, N7 and N8 are Cradle to Cradle Certified.	
% recyclability	100%	
Cleaning	Wipe with a damp cloth and soapy water (soft lint-free cloth for Black velvet MK). Do not use abrasive products or detergents.	

(1) Edge banding in matching finish to worktops, except for N8 worktops (specific plywood edging). ABS edge banding thk 2 mm

(2) Density: Tolerance +/- 10%



EUROPEAN
OFFICE
FURNITURE
MANUFACTURER



PARIS

1 rue des Céréales - Bât 112 - 93200 **SAINT DENIS** - Tél : +33 (0)1 49 35 60 00

NIEUWEGEIN

Symfonielaan 1 3438 EW **Nieuwegein**, Nederland - Tel : +31 (0)6 823 62 118

BRUXELLES

81, Chaussée de Nivelles - 1420 **Braine-l'Alleud** - Tél : +32 (0)2 894 99 80

eol-group.net