

Axel 2

TECHNICAL CHARACTERISTICS



Choice of 2 mechanisms:

- **Manual crank**
Adjustment range H. 71.5 to 115.5 cm
(2 telescopic shafts)
- **Electric drive**
Adjustment range H. 65 to 130 cm
(3 telescopic shafts)

Powerful electric drive system

- 1 motor in each leg upright
- Stylish, user-friendly control unit with scrolling menu for accessing the various settings
- Ideal for hot-desking scenarios: 4 user profiles, each with 2 height settings (sitting and standing)
- Alarm for scheduling reminders
- Built-in USB charger (A & C)
- Multiple settings
- Built-in anti-collision system



Worktops

Melamine-covered particle board panels (25 mm thick).

Customisable

- Multiple cable management solutions
- Optional fabric-covered desktop screens

Flat or curved base

With stabiliser feet as standard
Option: Castors with brakes, Ø 40 mm, suitable for all floor types (for individual desks only)

Electric drive adjustment system

- 1 motor in each leg upright
- Adjustment range H. 65 to 130 cm
- Standard control unit with digital display
- 4-position memory function
- Built-in anti-collision system

Worktops

Melamine-covered particle board panels (25 mm thick)



Legs & structure

- Square-section uprights, 75 x 75 mm (3 telescopic shafts)
- Flat base with stabiliser feet
- Structural telescopic frame



Cable management solutions

Cable ports for direct connectivity or top-access module with cable trough

Comprehensive range

Different shapes and sizes



Worktops



Standard melamine

- › Melamine-covered particle board panels, thk 25 mm, with an anti-reflective coating on both sides
- › Panel density Thk 25 mm: 600 to 670 kg/m³
- › Flat edge banding (2 mm thick) made from a strip of glued ABS, with rounded edges
- › Edge banding in same finish as worktop (except for Maritime pine N8, which comes with plywood edge banding)



Soft-touch black velvet melamine

- › Matt finish with a high-quality multi-layer coating
- › Panel density: 600 to 620 kg/m³
- › Flat edge banding (2 mm thick) in Black, made from a strip of glued ABS, with rounded edges



Panels sourced from sustainably managed forests - **PEFC**

- › Panels have a fire-resistance rating of M3 (combustible, moderately flammable) as per standard **NF EN 13501-1**
- › Panels have a **formaldehyde emissions rating of E05**, with a maximum of 0.062 mg/m³ or a limit of 0.05 ppm and comply with standard **NF EN 717**
- › Melamine panels (except Black velvet MK) have an **antibacterial surface** that meets standard **ISO 22196**
- › **68%** on average from recycled materials (pre- and post-consumer) - 100% recyclable

Shared desks - Manual version

Structure and legs



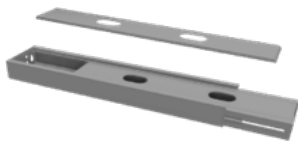
Individual desks

- › Structure with 2 centrally positioned legs:
 - Rectangular-section metal uprights, 75 x 45 / 80 x 50 mm (2 telescopic shafts)
 - 2 base pieces, W. 700 x 80 mm, with flat ends and stabiliser feet (adjustment range 20 mm)
- › Optional castors available to replace the stabiliser feet (see options)
- › 1 structural telescopic metal frame, adjustable from 1150 to 1800 mm
- › 2 upper crossbeams made from tubular steel, W. 600 x H. 40 mm



Shared-structure desks

- › Structure with 2 pairs of centrally positioned legs, linked together by metal crossbeams:
 - Rectangular-section metal uprights, 80 x 50 / 75 x 45 mm (2 telescopic shafts)
 - 2 metal crossbeams, W. 785 x H. 80 x D. 50 mm
- › Legs fitted with ABS mounts in matching colour, with stabiliser feet (adjustment range 10 mm)
- › 2 structural telescopic metal frames, adjustable from 1150 to 1800 mm
- › 4 upper crossbeams made from tubular steel, W. 600 x H. 40 mm
- › Each structure comes with a telescopic cable trough with a sliding cover, to be secured between the two lower crossbeams that link the legs:
 - Holds socket outlets and cables
 - Perforated to facilitate cable routing and concealment of cables
 - Adjustable from 930 to 1680 mm to adapt to the worktop width (W. 1200 to 1800 mm)
 - Overall dimensions W. 930/1680 x H. 80 x D. 202 mm
 - A high-capacity cover (see options) can be installed in place of the sliding cover



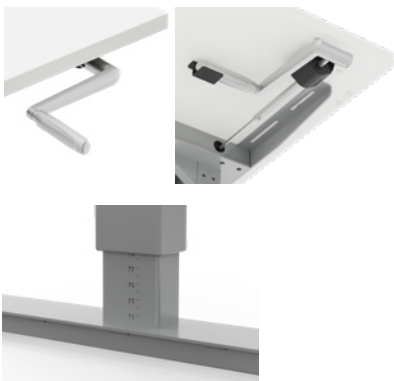
Finishes

- › Smooth epoxy powder finish in a choice of 3 colours: White (RAL 9010), Silver grey (RAL 9006) or Black (RAL 9005)

Attachment of the structure to the worktop

- › Secured using metal inserts and screws for easy assembly and dismantling
- › Excellent level of tensile strength (140 kg per insert under test conditions)

Adjustment system



› Manual height-adjustment system

- Height adjustment from 715 to 1155 mm (including worktop, thk 25 mm); lower upright has graduated notches at 1 cm intervals (individual desks only)
- Castors add 30 mm to the height
- Lift speed: 8 mm/crank rotation
- Max. load per worktop: 80 kg
- Crank made from metal and ABS, Aluminium grey finish
- Retractable crank, stows away under the worktop
- Crank can be placed at the left or right side of the worktop

Shared desks - Electric version

Structure and legs



Individual desks

- › Structure with 2 centrally positioned legs:
 - Rectangular-section metal uprights, 80 x 50 / 75 x 45 / 70 x 40 mm (3 telescopic shafts)
 - 2 base pieces, W. 700 x 80 mm, with curved ends and stabiliser feet (adjustment range 20 mm)
- › Optional castors available to replace the stabiliser feet (see options)
- › 1 structural telescopic metal frame, adjustable from 1075 to 1800 mm
- › 2 upper crossbeams made from tubular steel, W. 600 x H. 40 mm



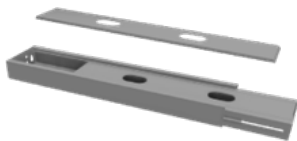
Individual desks with a return

- › Structure with 2 centrally positioned legs and 1 slightly offset leg for the return:
 - Square-section metal uprights, 75 x 75 / 70 x 70 / 65 x 65 mm (3 telescopic shafts)
 - 3 base pieces with curved ends and stabiliser feet (adjustment range 20 mm), dimensions W. 700 x 90 mm for the 2 main uprights, W. 500 x 90 mm for the return upright
- › 2 structural telescopic metal frames (1 main frame, adjustable from 1075 to 1800 mm + 1 return frame, adjustable from 1076 to 1801 mm)
- › 3 upper crossbeams, W. 600 x H. 40 mm for the main worktop + W. 500 x H. 40 mm for the return



Shared-structure desks

- › Structure with 2 pairs of centrally positioned legs, linked together by metal crossbeams:
 - Rectangular-section metal uprights, 80 x 50 / 75 x 45 / 70 x 40 mm (3 telescopic shafts)
 - 2 metal crossbeams, W. 785 x H. 80 x D. 50 mm
- › Legs fitted with ABS mounts in matching colour, with stabiliser feet (adjustment range 10 mm)
- › 2 structural telescopic metal frames, each adjustable from 1075 to 1800 mm
- › 4 upper crossbeams made from tubular steel, W. 600 x H. 40 mm
- › Each structure comes with a telescopic cable trough with a sliding cover, to be secured between the two lower crossbeams that link the legs:
 - Holds socket outlets and cables
 - Perforated to facilitate cable routing and concealment of cables
- › Adjustable from 930 to 1680 mm to adapt to the worktop width (W. 1200 to 1800 mm)
 - Overall dimensions W. 930/1680 x H. 80 x D. 202 mm
 - A high-capacity cover (see options) can be installed in place of the sliding cover



Finishes

- › Smooth epoxy powder finish in a choice of 3 colours: White (RAL 9010), Silver grey (RAL 9006) or Black (RAL 9005)

Attachment of the structure to the worktop

- › Secured using metal inserts and screws for easy assembly and dismantling
- › Excellent level of tensile strength (140 kg per insert under test conditions)

Shared desks - Electric version

Adjustment system



› Electric height-adjustment system:

- Height adjustment from 650 to 1300 mm (including worktop, thk 25 mm)
- Castors (available for individual desks only) add 30 mm to the height; use the control unit to adjust the worksurface height accordingly (see User Manual for instructions)

› 1 motor in each leg upright:

- Lift speed: 40 mm/sec (38 mm/sec for desks with a return)
- Thrust force per upright: 800 N
- Max. load per worktop: 120 kg (150 kg for desks with a return)
- Noise level: < 45 dB (50 dB for desks with a return)

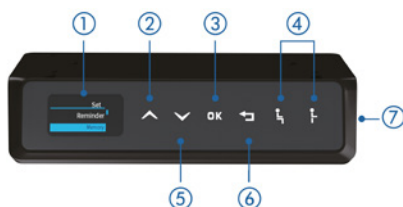
› Power supply unit:

- 100-240 V, 50/60 Hz, 3A with a 3.5 m power cable
- Supplied with either an EU or a UK plug
- Max. power consumption during operation: 58 W, standby power consumption: 0.7 W



› Control unit (see User Manual for full details):

- LCD digital display with scrolling menu for accessing the various settings:
 - 1) Alarm for scheduling reminders to change position (5-minute increments)
 - 2) Saved positions: Up to 4 users, each with 2 positions (sitting and standing)
 - 3) Language (the factory setting is English): Choice of 9 languages (English, French, Chinese, German, Dutch, Italian, Spanish, Polish and Romanian)
 - 4) Height limit: Option for setting a maximum or minimum height
 - 5) Child lock: Disables the control unit
 - 6) Lighting effect: Enable/disable the lighting effect
 - 7) Bluetooth: Enable/disable Bluetooth (application currently under development – available early 2025)
 - 8) More: QR code pointing to the control unit documentation (installation manual, user manual), and other settings (toggle between inches/cm, adjust the sensitivity of the anti-collision sensor, define the minimum height to display on the screen, toggle between automatic/manual saving of positions)
 - 9) Hard reset: Can be used to reset the system if the desk is not working correctly. After resetting the system, the factory settings are restored and the desk must be re-initialised.



- ① Menu
- ② Up
- ③ Settings
- ④ Memory for sit/stand position
- ⑤ Down
- ⑥ Return
- ⑦ USB ports A + C

(Re)-initialisation: Press and hold “V” until the desk is in the lowest position. Release the button, then press and hold “V” again until you hear a beep. Follow the instruction displayed on the screen: press and hold “V” for 5 seconds until you hear a second beep. This confirms successful re-initialisation.

- The control unit has a USB charger (A & C) on the side
- The control unit is secured below the worktop, at the left or right side (if the desk/table is next to a wall or cupboard, remember to leave enough space to access the USB port)

› Built-in anti-collision system:

- In the event of a collision, the desk stops moving, then moves up or down by 2 cm
- Code “E05” will be displayed on the control unit

!/\ For the system to work correctly, all of the components must be installed. If the system is not working correctly, please contact us.

Meeting tables

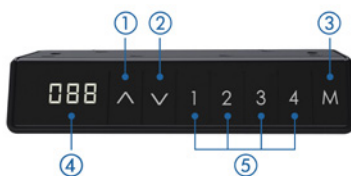
Structure and legs



- › Structure with 2, 3 or 4 legs (depending on table size):
 - Square-section metal uprights, 75 x 75 / 70 x 70 / 65 x 65 (3 telescopic shafts); worktop overhangs the legs at each side
 - Base pieces with flat ends and stabiliser feet (adjustment range 20 mm), W. 900 x 90 mm (rectangular tables) or W. 1000 x 90 mm (square tables)
- › Structural telescopic metal frames:
 - Adjustable from 1075 to 1800 mm for the table W. 1000 x D. 2000 mm
 - Adjustable from 2000 to 3000 mm for the table W. 2400 x D. 1200 mm
 - Adjustable from 860 to 1400 mm for the square tables
- › Upper crossbeams made from tubular steel:
 - W. 900 x H. 40 mm for the rectangular tables
 - W. 1000 x H. 40 mm for the square tables

Adjustment system - Only for electric version

- › **Electric adjustment system:**
 - Height adjustment from 650 to 1300 mm (including worktop, thk 25 mm)
- › **1 motor in each leg upright:**
 - Lift speed: 40 mm/sec (38 mm/sec for tables with 3 or 4 legs)
 - Thrust force per upright: 800 N
 - Max. load per worktop: 120 kg (150 kg for tables with 3 or 4 legs)
 - Noise level: < 45 dB (50 dB for tables with 3 or 4 legs)
- › **Built-in anti-collision system:**
 - In the event of a collision, the desk stops moving, then moves up or down by 2 cm
 - Code "E05" will be displayed on the control unit
- › **Power supply unit:**
 - 220-240 V, 50/60 Hz, 5A with a 2.1 m power cable
 - Supplied with either an EU or a UK plug
 - Power consumption during operation: 256 W, standby power consumption: 0.1 W



- ① Up
- ② Down
- ③ Memory entry
- ④ Digital display
- ⑤ 4 saved positions

- › **Standard control unit (see User Manual for full details):**
 - Digital display panel with 4 saved positions
 - The control unit is secured below the worktop, at the left or right side
- › **Saving positions:**
 - Raise or lower the worktop to the desired height.
 - Press the "M" button until the display begins to flash.
 - Press the "1" button. Repeat the steps to save other height positions (a maximum of 4 positions can be saved).

- › **Re-initialising the system:**

Simultaneously press "∧" and "∨" for 5 seconds until the desk is in the lowest position. When you hear a beep, the table is ready for use.

!/\ For the system to work correctly, all of the components must be installed. If the system is not working correctly, please contact us.

Desks Options



For individual desks

Set of 4 castors:

- › Black ABS castors with brakes, dia. 40 mm, with grey roller bands
- › Suitable for all floor types
- › Mounted on the base pieces instead of the stabiliser feet
- › Castors increase the worksurface height by 30 mm: minimum height with castors
H. 680 mm (electric version) or H. 745 mm (manual version)
- › Compatible with individual desks of D. 700, 800 or 900 mm



Metal cable casing

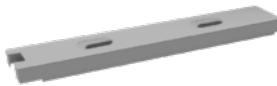
- › Fits around the leg uprights of individual desks
- › Metal with epoxy powder coating, with ABS covers at the feet; choice of 3 colours: White (RAL 9010), Silver grey (RAL 9066) or Black (RAL 9005)
- › Overall dimensions: W. 800 x H. 475 x D. 95 mm
- › Sold individually

For shared-structure desks



Set of 2 spacing bars (for electric desks)

- › These create a 3 cm gap between 2 adjacent desks, to prevent accidental trapping of fingers during worktop height adjustments
- › To be fitted on the crossbeam between the 2 legs
- › Dimensions of 1 spacing bar: W. 50 x H. 50 x L. 272 mm



High-capacity cable cover for twin-compartment telescopic cable trough

- › Allows even more cables and socket outlets to be placed in the cable trough
- › To be fitted on the cable trough instead of the sliding cover
- › Total height of cable trough, including high-capacity cover: H. 117 mm (height of cover: 48 mm)
- › Perforated to facilitate cable routing
- › Made from epoxy-coated metal in a choice of 3 colours: White (RAL 9010), Silver grey (RAL 9006) or Black (RAL 9005)



Flexible cable channel (not compatible with individual desks)

- › Injection-moulded ABS. Consists of 20 small square links, W. 68 x H. 29 x D. 36 mm. Total height 1320 mm
- › Metal attachment plates at the top and bottom; secured with screws between the cable trough (perforations below the cable trough) and the worktop (wood screws), on the left or right side
- › Extends up to 1300 mm
- › Sold individually
- › Colours: White, Aluminium grey or Black



Metal cable casing

- › Fits around the leg uprights of shared-structure desks
- › Metal with epoxy powder coating, with ABS covers at the feet; choice of 3 colours: White (RAL 9010), Silver grey (RAL 9066) or Black (RAL 9005)
- › Overall dimensions: W. 1660 x H. 475 x D. 95 mm
- › Sold individually

Fabric-covered desktop screens

For individual desks

See catalogue for full SOLANGE and TWINS ranges

For shared-structure desks

- › Desktop screens, H. 700 mm
- › Attached to the bench structure using fixing clamps



Fabric-covered acoustic desktop screens

- › Outer frame made from aluminium (thk 47 mm), joined by 4 rounded ABS corner pieces
- › Core made from honeycomb cardboard (made entirely from recycled fibres), 25 mm thick, clad with 1 layer of 10 mm thick acoustic polyester fibre on each panel face
- › The polyester fibre offers the following environmental benefits:
 - OEKO-TEX certified: certification guaranteeing the absence of substances posing a health risk
 - Manufactured using a minimum of 85% recycled fibres
 - 100% recyclable
- › Fire rating of foam: B-s1.d0 (Euroclasses according to EN 13501-1, equivalent to French fire rating M1)
- › Fabric covering (see Fabrics shade card)
- › Acoustic desktop screens absorb approx. 50% of ambient noise (acoustic performance report available on request)

Fixing clamps (must be included in your order)

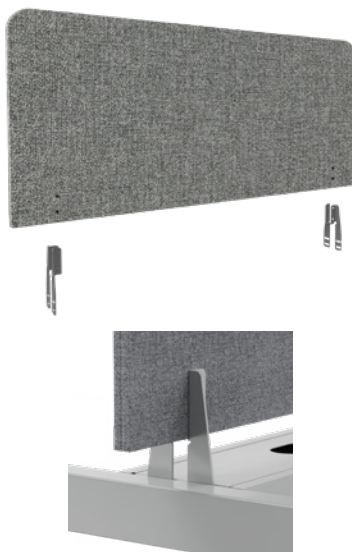
- › Metal clamps with a metal rod and ring to hold the panel
- › Secured to the structure using screws
- › Sold in sets of 2

Non-acoustic fabric-covered desktop screens (for electric shared-structure desks only)

- › Melamine-covered particle board panels (25 mm thick) with a fabric covering (see shade card for available finishes)
- › 2 rounded corners at the top, and 2 straight corners at the bottom

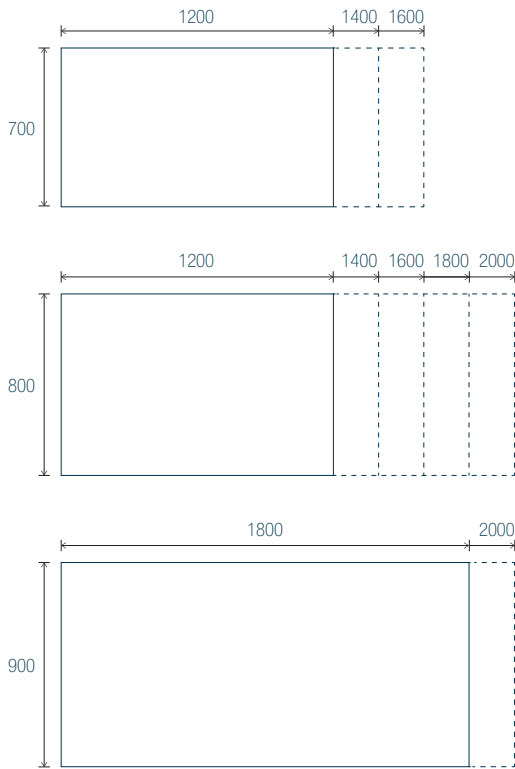
Fixing clamps are supplied with the structure

- › Metal fixing clamps, secured using screws to the structure and the desktop screen

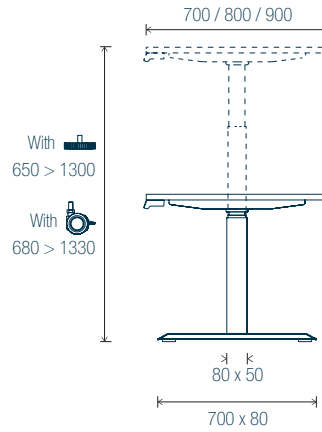




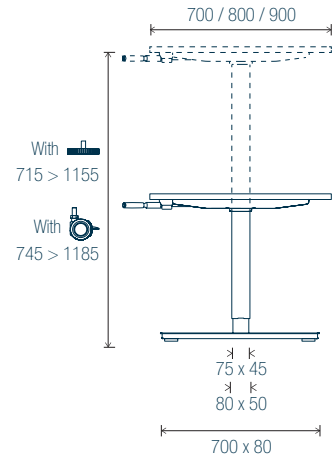
Individual desks



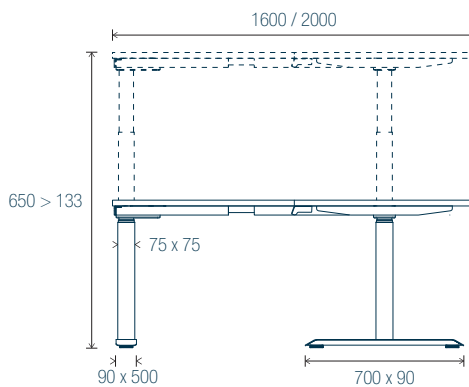
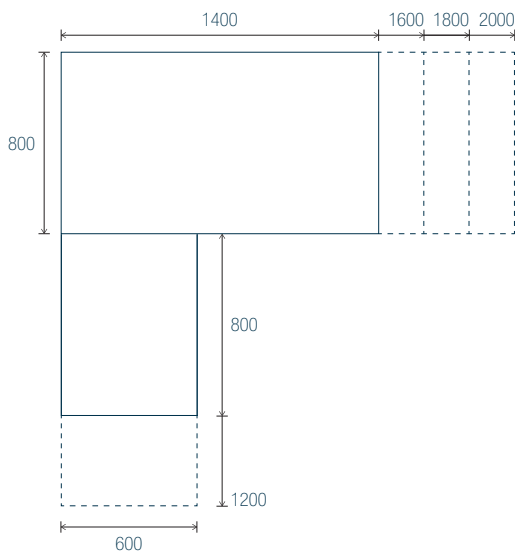
Electric version



Manual version

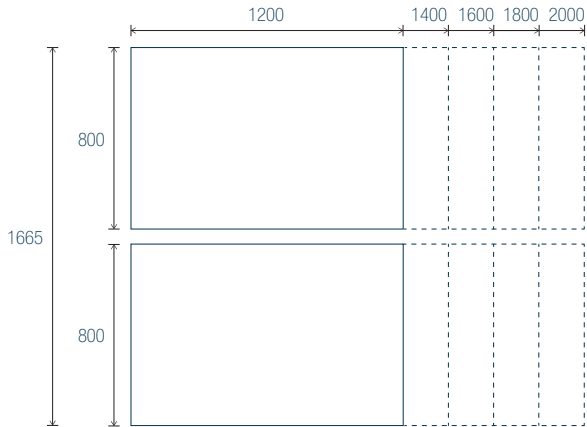


Individual desks with a return - Only for electric version

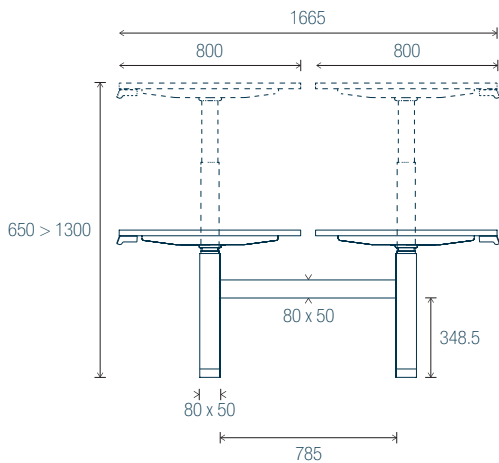




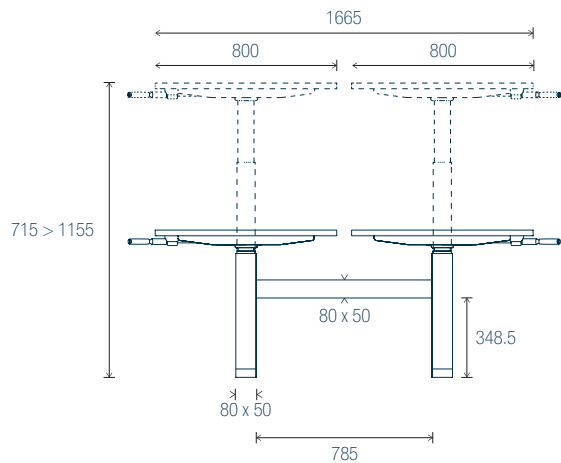
Shared-structure desks



Electric version



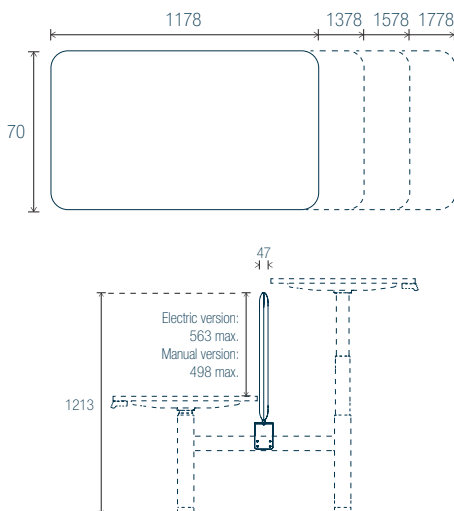
Manual version



Fabric-covered desktop screens - For shared-structure desks

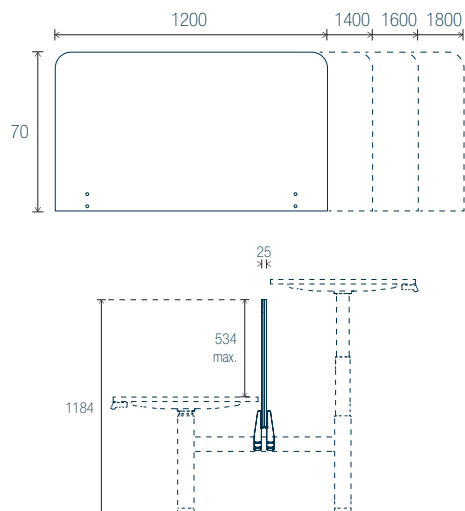
Acoustic

Electric and electric version



Non-acoustic

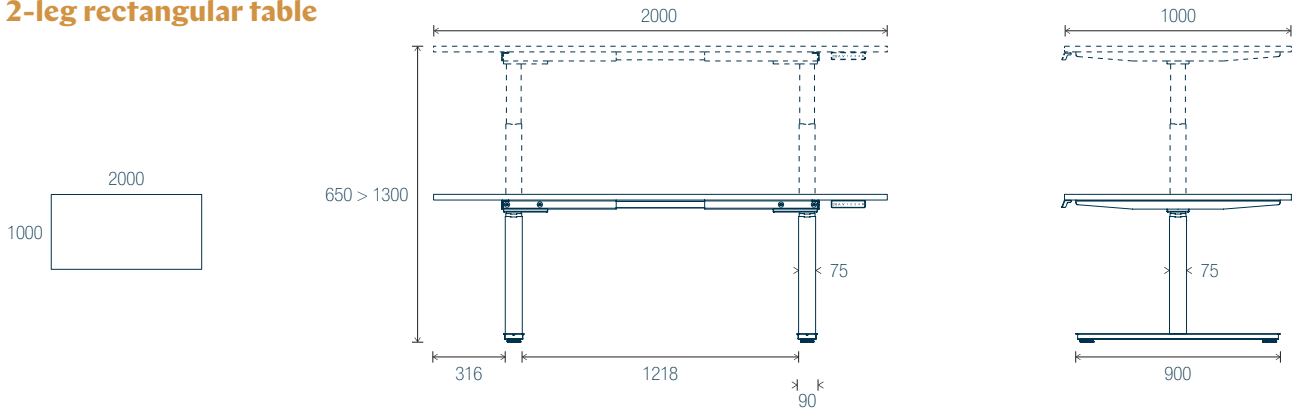
Only for electric version



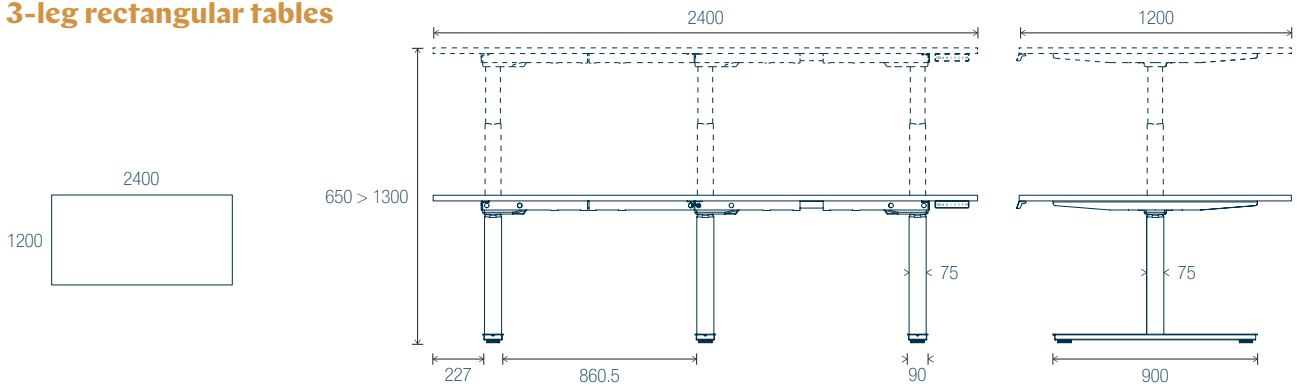


Meeting table - Only for electric version

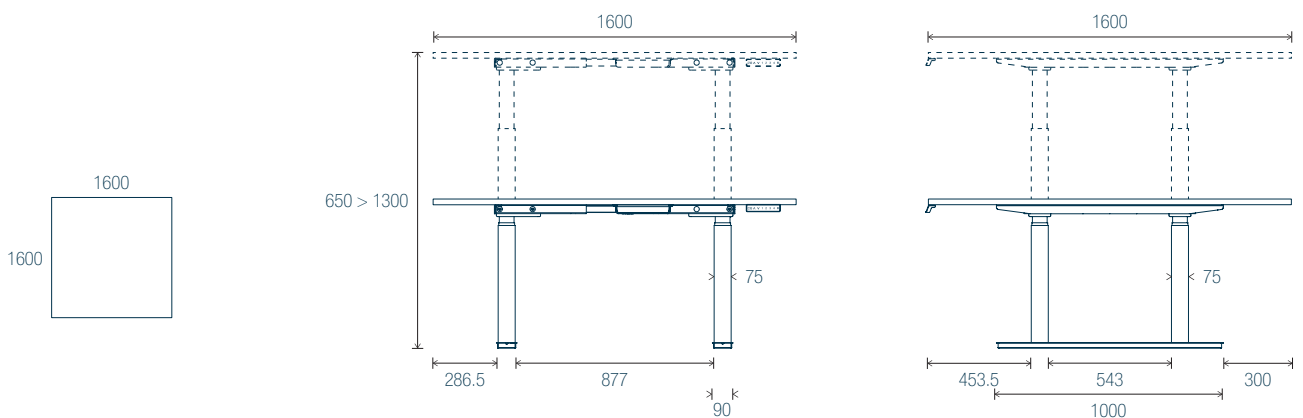
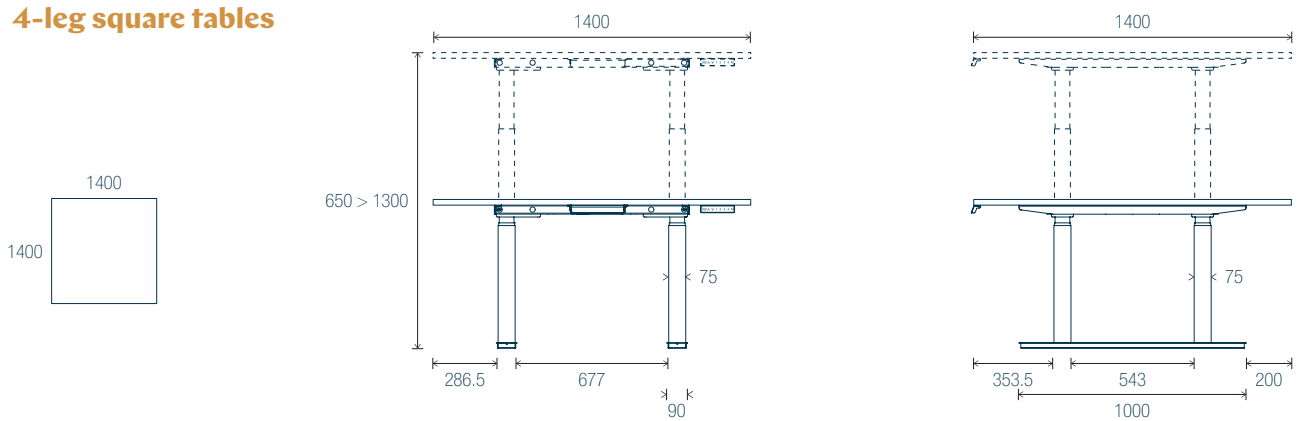
2-leg rectangular table



3-leg rectangular tables



4-leg square tables



Connectique

25 mm thick worktops - Desks



- › **For cable ports Ø 80 mm:**
 - 2 pre-drilled openings for cable ports (cable ports sold separately)

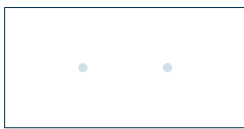


- › **Scalloped edge:**
 - Centred recess, D. 80 mm

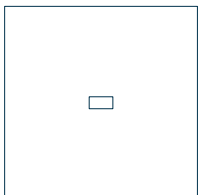


- › **Opening for a soft-closing top-access module:**
 - Pre-drilled opening for a one-way top-access module W. 240 x D. 120 mm (top-access module must be ordered separately)
 - Single-compartment metal cable trough included, in same finish as desk legs

Worktops (thk 25 mm) – Meeting tables



- › **For cable ports Ø 80 mm:**
 - 2 or 4 pre-drilled openings for cable ports (number of openings depends on table size; cable ports sold separately)



- › **For a dual-hinged top-access module:**
 - Pre-drilled opening for a dual-hinged top-access module W. 316 x D. 148 mm (top-access module sold separately)
 - Single-compartment metal cable trough included, in same finish as legs

Full details of our power and cable management solutions are available

Click here >





Wood

	Melamine
	Thick 25 mm
	Worktops
Double-sided anti-reflective coating	✓
Finishes	All
MK Black velvet finish Matt, highly resistant to fingerprints/smudging: High-quality multi-layer coating	✓
Shock-resistant, with rounded edges ⁽¹⁾	✓
Antibacterial (except MK Black velvet)	✓
Density ⁽²⁾	600 > 670 kg/m ³
PEFC (sourced from sustainably managed forests)	✓
E05 certified (compliant with standard NF EN 717)	✓
Fire rating (compliant with standard EN 13501-1)	Rating M3 (EUROCLASS D-S2, d0) for all finishes; rating M2 for White MG.
Average % from recycled materials (pre- and post-consumer)	68%. Shades R3, M9, N9, MK, N7 and N8 are Cradle to Cradle Certified.
% recyclability	100%
Cleaning	Wipe with a damp cloth and soapy water (soft lint-free cloth for Black velvet MK). Do not use abrasive products or detergents.

(1) Edge banding in matching finish to worktops, except for N8 worktops (specific plywood edging) - ABS edge banding thk 2 mm

(2) Density: Tolerance +/- 10%



Fabric

Bondaï - Cat. A

Composition	Weight	Abrasion resistance	Light fastness	Fastness to rubbing	Flammability	Environment
100% polyester	350 g/ml (lm) 250 g/m ² ±5%	150 000 EN ISO 12947-2	6 EN ISO 105-B02	4-5 EN ISO 105 x 12 Wet/Dry	EN 1021 - 1&2 BS 7176 BS 5852 Crib5	STANDARD 100 by OEKO-TEX®

Chili - Cat. B

Composition	Weight	Abrasion resistance	Light fastness	Fastness to rubbing	Flammability	Environment
100% flame-retardant post-consumer recycled polyester (FR inside fibres)	470 g/ml (lm) (15.16 oz / lin yd)	60 000 EN ISO 12947-2	5-8 EN ISO 105-B02	4-5 EN ISO 105 x 12 Wet/Dry	EN 1021 - 1&2 NFP 92-503/504/505 M1 NF D 60-013 AM18 BS 7176 BS 5852 Crib 5 DIN 4102 B1 EN 13501	STANDARD 100 by OEKO-TEX® 100% recycled fabric Low emission of VOC

Step / Step Mélange - Cat. B

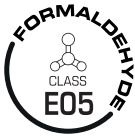
Composition	Weight	Abrasion resistance	Light fastness	Fastness to rubbing	Flammability	Environment
100% trevira® CS	470 g/m ² (15.16 oz / lin yd)	100 000 EN ISO 12947-2	5-7 EN ISO 105-B02	4-5 EN ISO 105 x 12 Wet/Dry	EN 1021 - 1&2 NFP 92-503/504/505 M1 NF D 60-013 AM18 BS 7176 BS 5852 Crib 5 DIN 4102 B1 EN 13501	STANDARD 100 by OEKO-TEX® EU Ecolabel Non-metallic dyestuffs Low emission of VOC

Fenice - Cat. D

Composition	Weight	Abrasion resistance	Light fastness	Fastness to rubbing	Flammability	Environment
75% wool 25% PA	335 g/m ² ±7% 500 g/ml (lm) ±7%	100 000 ±20% EN ISO 5470-2	6 ±1% EN ISO 105-B02	4-5 EN ISO 105 x 12 Wet/Dry	EN 1021 - 1&2 BS 5852 Crib 5 CLASS 1 JM CALIFORNIA TB 117	Recyclable fabric



PEFC is the world's leading forest certification system and largest source of eco-certified forest products.



An **E05 rating** corresponds to a maximum of 0.062 mg/m³ or a limit of 0.05 ppm and comply with standard **NF EN 717** and is the most stringent of the ratings authorised in France for furniture and construction materials



Antibacterial surface. Guaranteed on all melamine worktops except MK Black velvet finish



All the components of the desk (top, structure & legs, motor, power supply unit & control unit) are **guaranteed for 5 years**



87% of this range is made from recycled materials



EUROPEAN
OFFICE
FURNITURE
MANUFACTURER



PARIS

1 rue des Céréales - Bât 112 - 93200 **SAINT DENIS** - Tél : +33 (0)1 49 35 60 00

NIEUWEGEIN

Symfonielaan 1 3438 EW **Nieuwegein**, Nederland - Tel : +31 (0)6 823 62 118

BRUXELLES

81, Chaussée de Nivelles - 1420 **Braine-l'Alleud** - Tél : +32 (0)2 894 99 80

eol-group.net