
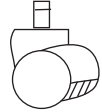


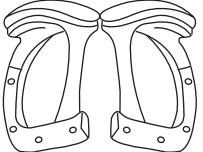

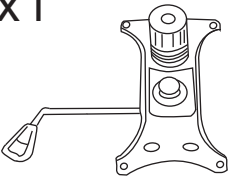



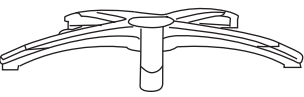


<p>Ax1</p> 	<p>Gx5</p> 
<p>Bx1</p> 	<p>Hx4</p>  <p>M6x20mm</p>
<p>Cx1(L)x1(R)</p> 	<p>Ix8</p>  <p>M6x25mm</p>
<p>Dx1</p> 	<p>Jx1</p> 
<p>Ex1</p> 	<p>Kx1</p> 
<p>Fx1</p> 	<p>Lx(L)x1(R)</p> 