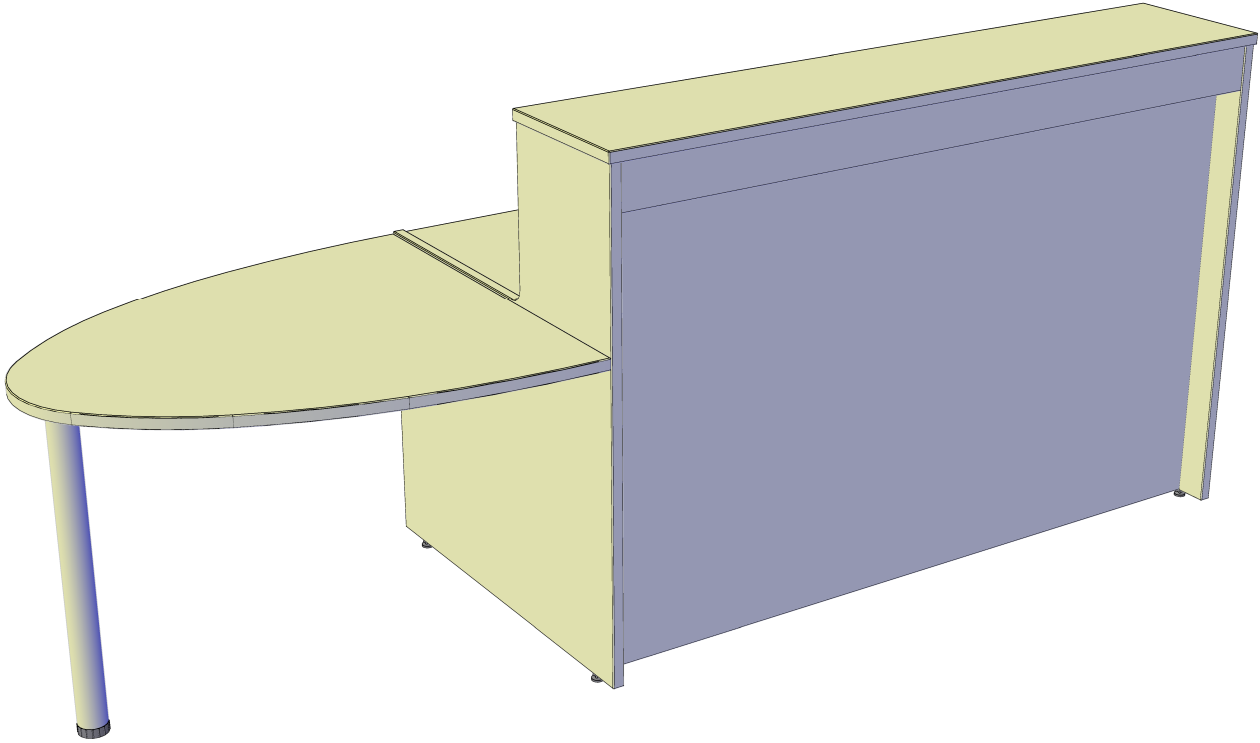
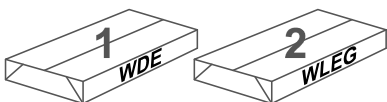
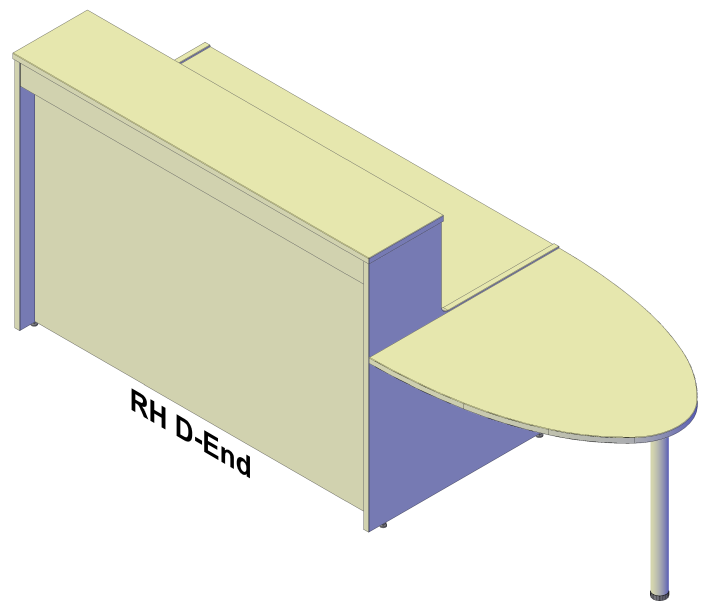
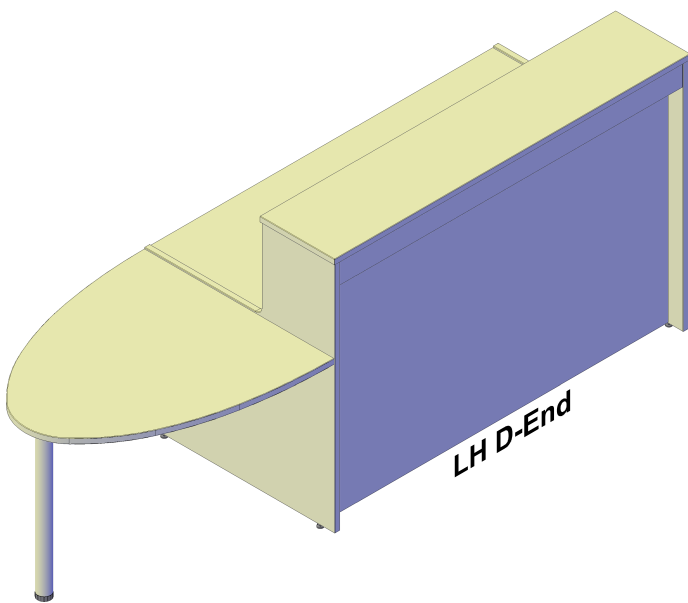


WDET

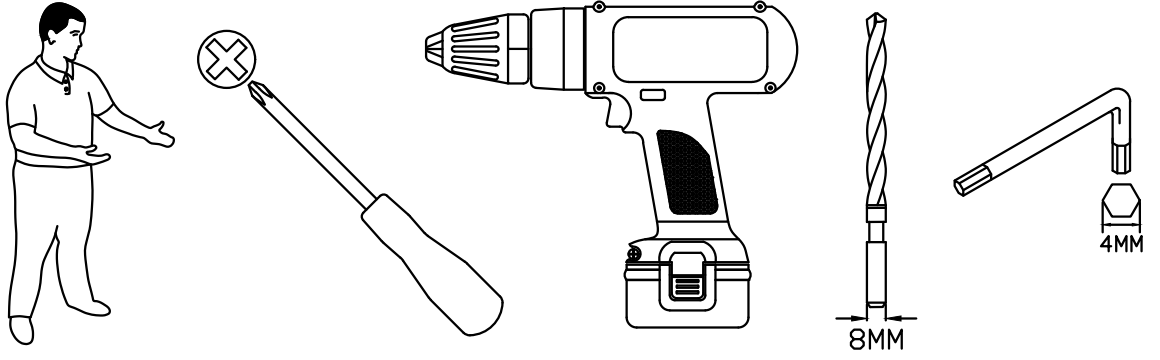
Welcome Extension D-End



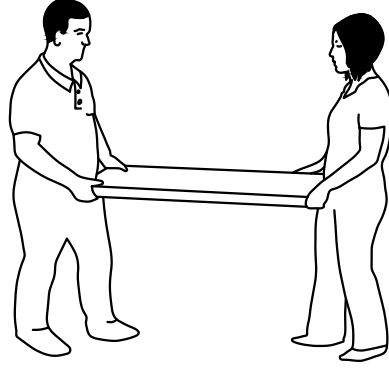
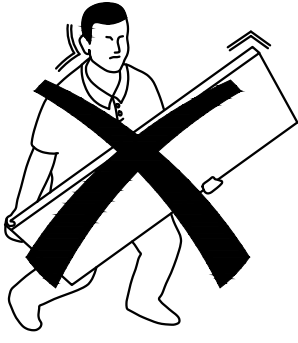
CAN BE BUILT AS A LH OR RH UNIT



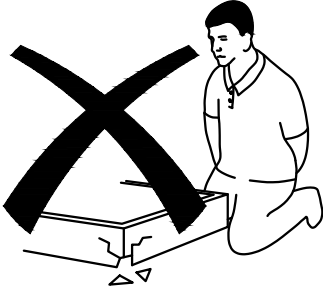
**TOOLS REQUIRED
FOR ASSEMBLY**



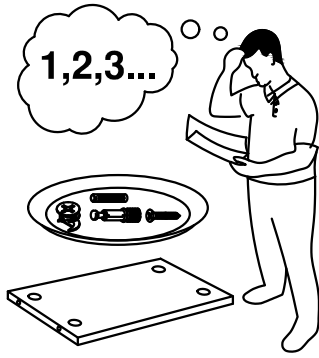
**DONT STRUGGLE
2 MAN LIFT**



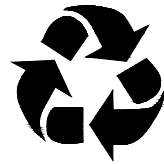
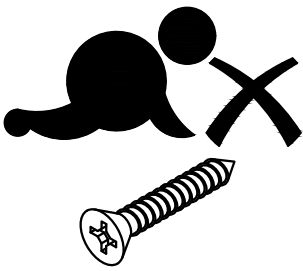
**ALWAYS HANDLE
ITEMS WITH CARE**



**IF UNSURE CALL
FOR ASSISTANCE**



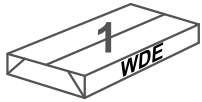
**KEEP FITTINGS AWAY
FROM CHILDREN**

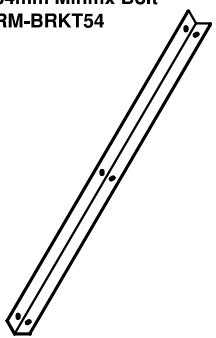

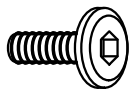
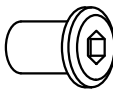





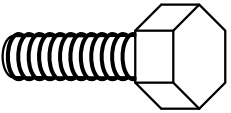
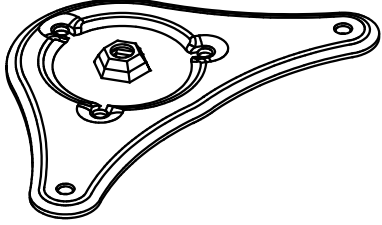
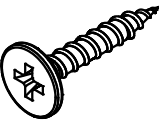
Please check that you have all the fittings!

(Fittings Bags Supplied in Both Cartons)



21	34mm Minifix Bolt RM-BRKT54 	3	M6 x 25mm Connect Bolt RM-BLT38 	3	M6 x 12mm Connect Bolt RM-BLT39 
		3	M6 x 8 x 9 Sleeve Nut RM-NUT10 	6	M6 Nylon Insert RM-PAR05 



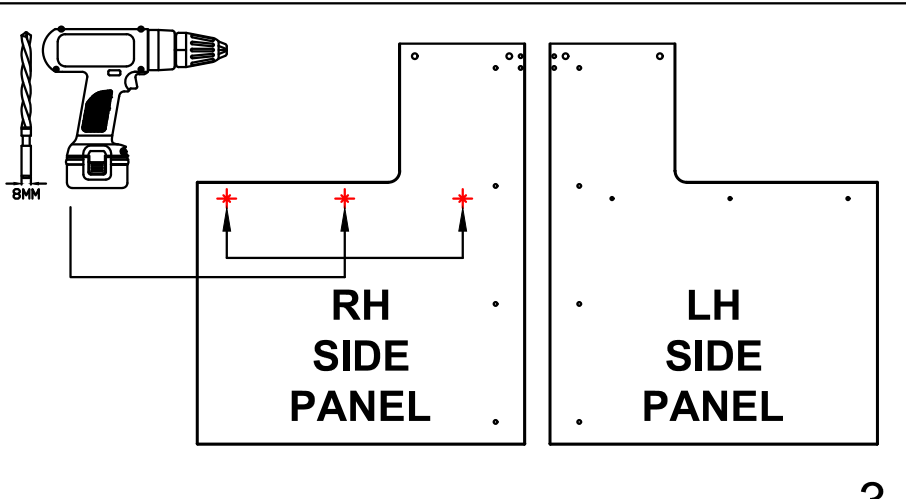
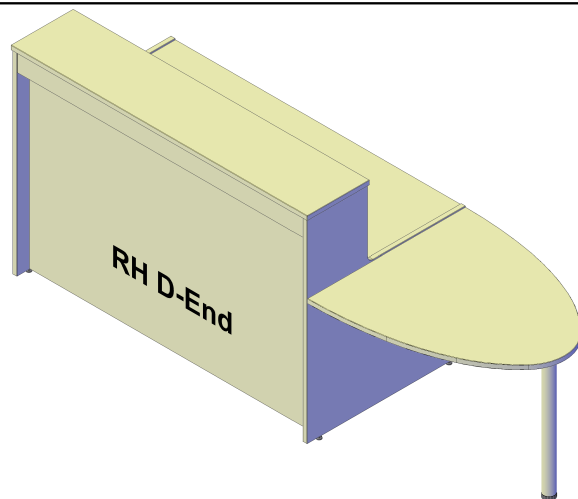
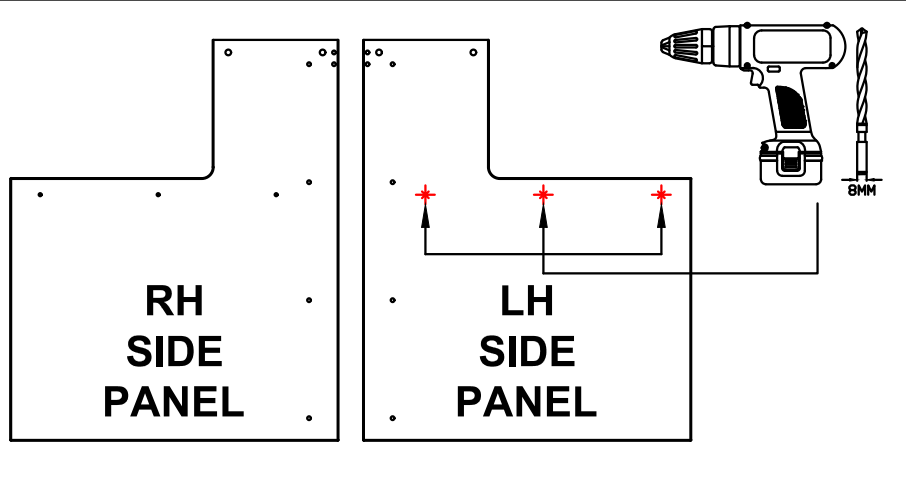
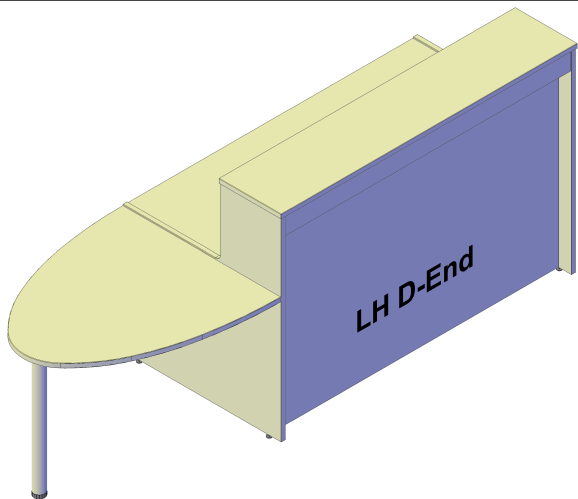
1	M8 Fixing Bolt 	1	
5	20mm Wood Screw 		

Before proceeding decide which side of your desk you want your D-End extension.

Lay your panels out with the pre drilled holes facing up and then drill out the part drilled holes on relevant side panel based on the diagrams below.

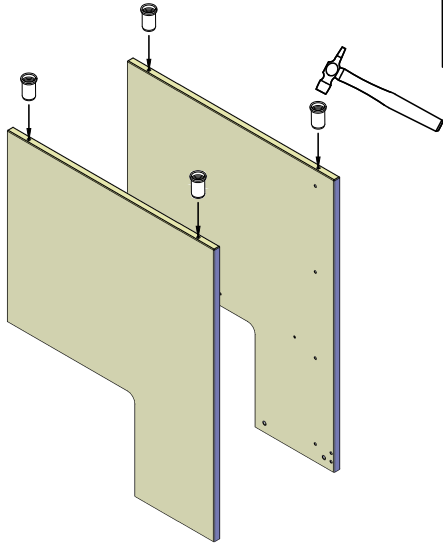
Do not drill out this panel whilst they are lying on the floor, this will result in damage to your floor.

Ensure the panel is either stood vertical away from any objects or place down on a surface that you are happy to damage whilst drilling through.



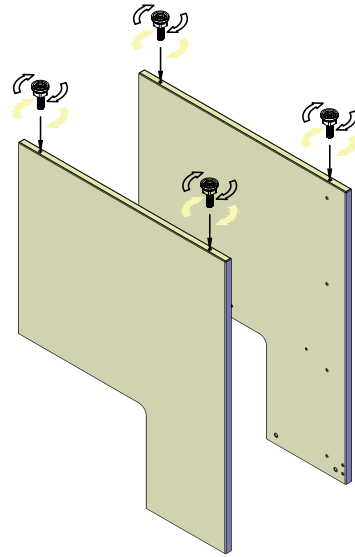
This instruction shows the assembly of a LH desk extension.
 Prepare the panels by inserting the listed fittings into the corresponding holes.

1



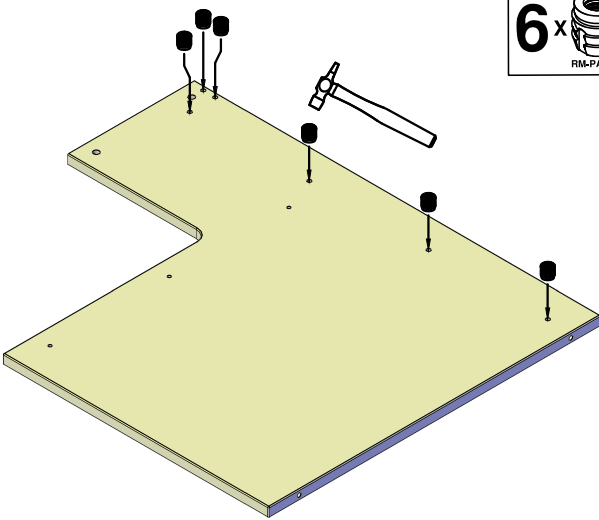
4x
RM-NUT04

2



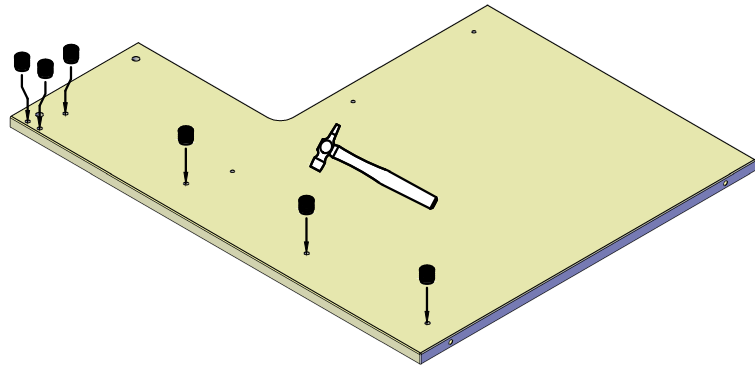
4x
RM-FRL19

3



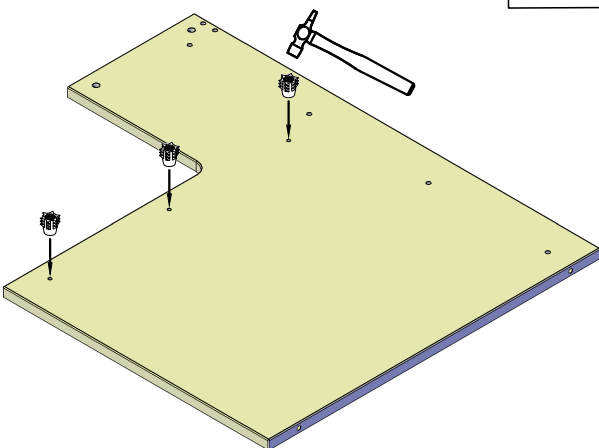
6x
RM-PAR05

4



6x
RM-PAR05

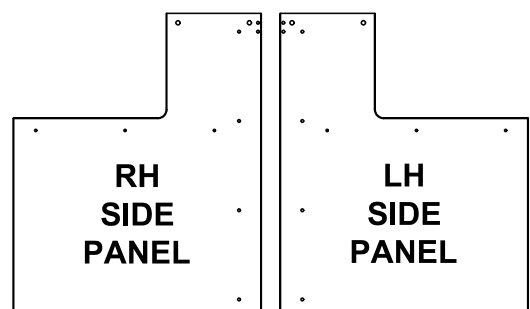
5



3x
RM-PAR03

Step 5 shows the inserts being knocked in on the RH side panel.
This is correct for a LH Extension table.

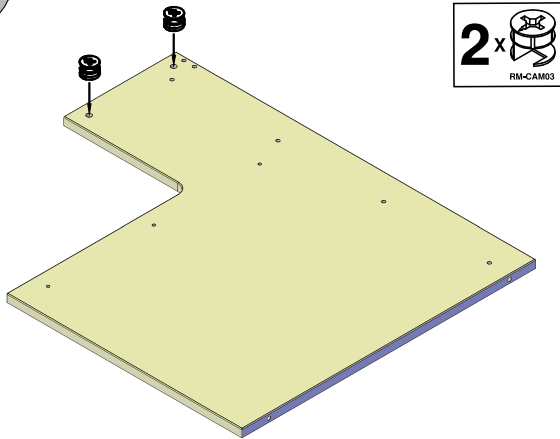
For a RH extension table these inserts should be knocked into the LH Side panel.



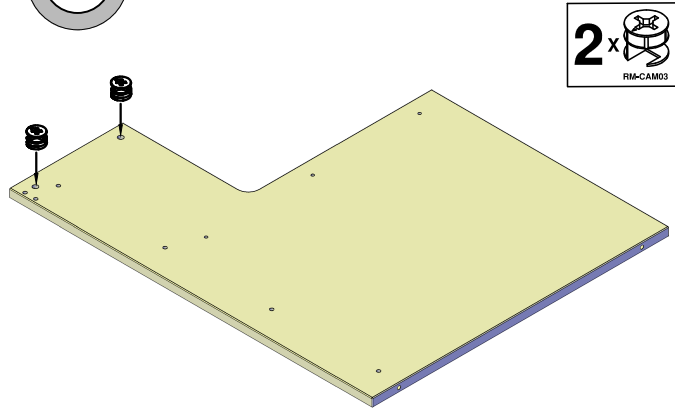
This instruction shows the assembly of a LH desk extension.

Prepare the panels by inserting the listed fittings into the corresponding holes.

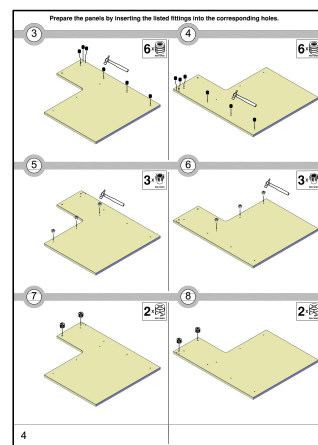
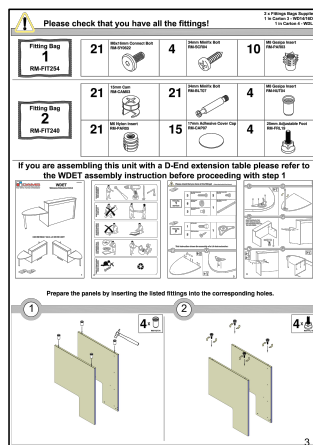
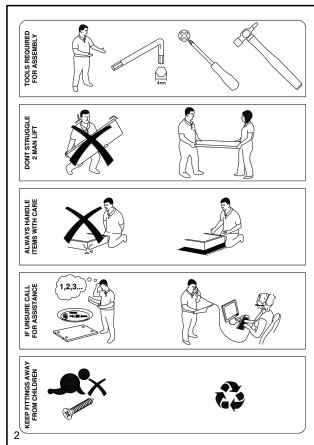
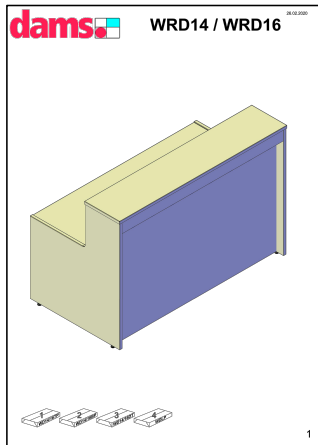
6



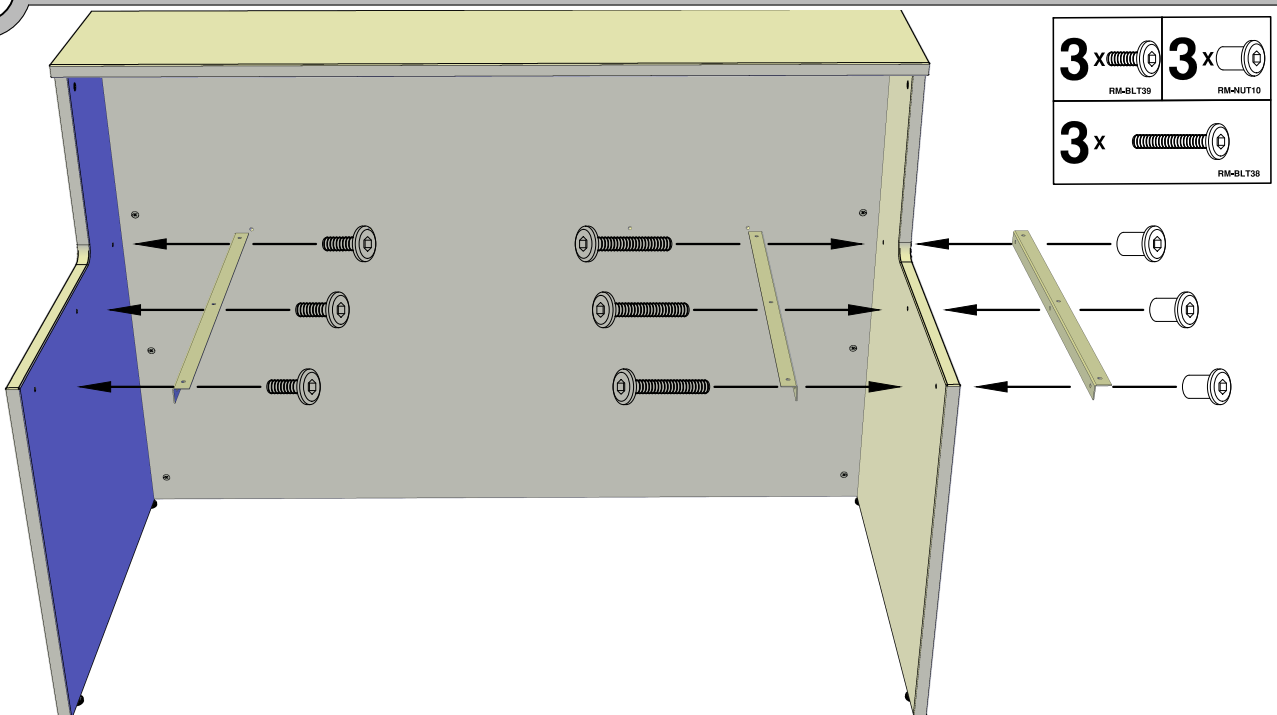
7



Please refer back to the original welcome reception desk assembly instruction and continue from step 9

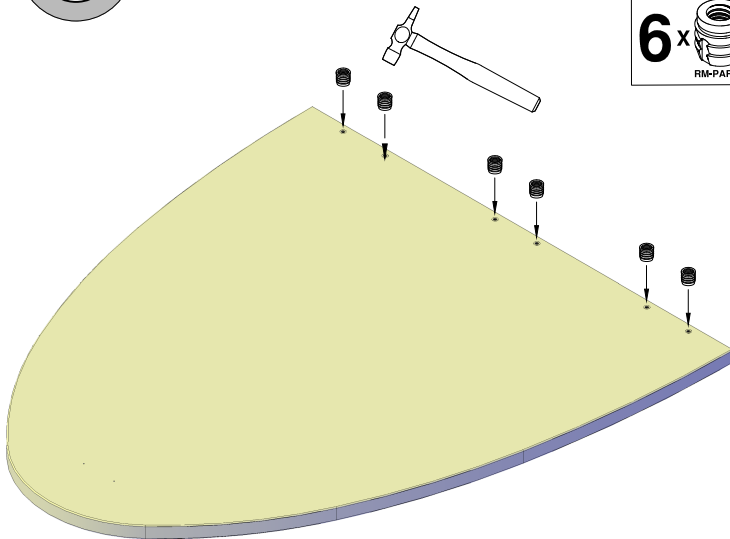


8

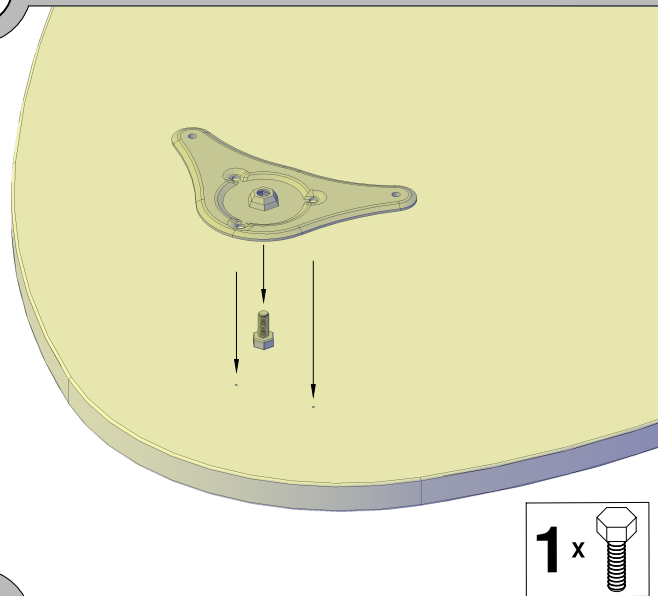


This instruction shows the assembly of a LH desk extension.

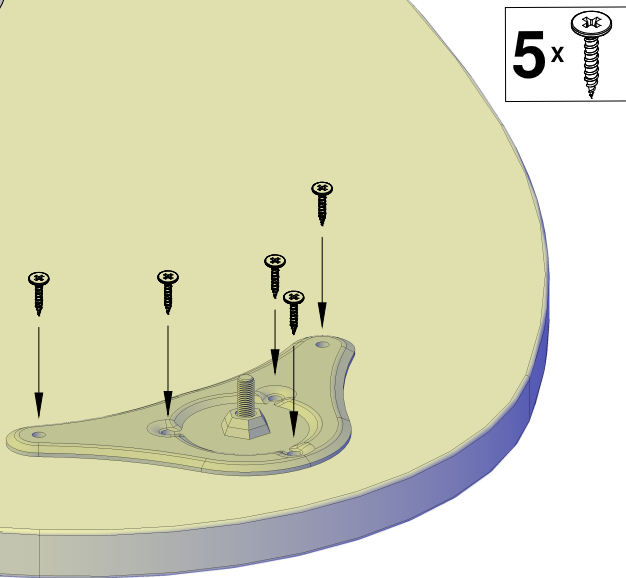
9



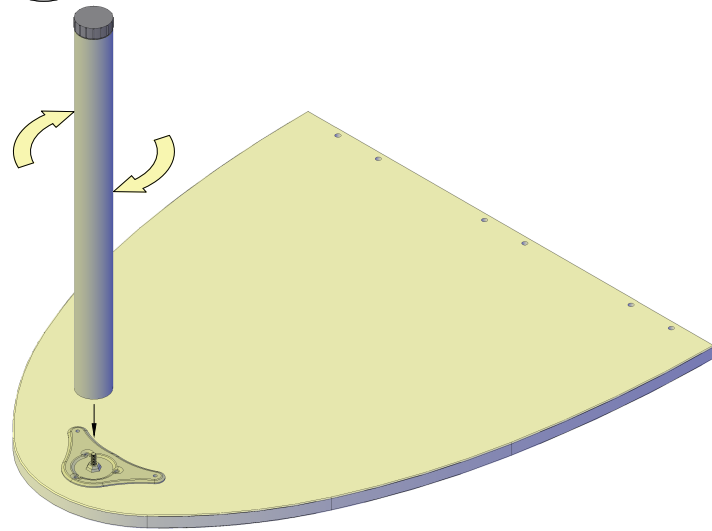
10



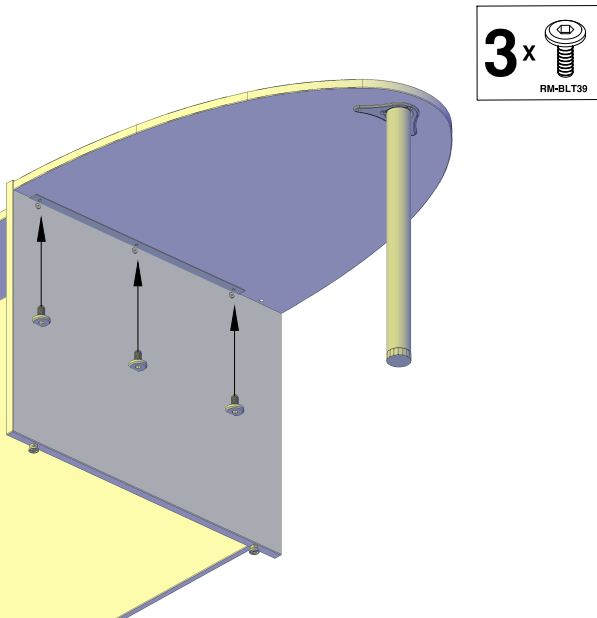
11



12



13



Please refer back to the original welcome reception desk assembly instruction and continue from step 17.