

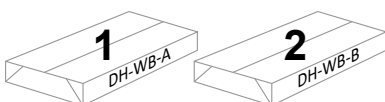
IMPORTANT - PLEASE READ

Before starting please ensure you are aware of the type of wall that you are about to install to.

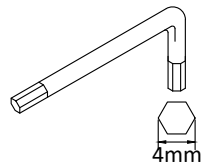
No wall fixings are supplied with this unit, it is the responsibility of the installer to ensure they are using fittings that are suitable for the wall type.

The following steps will only show guidance for assembly of the bookcase, location of brackets to align with the hangers of the bookcase as well as connection instructions to hang the bookcase.

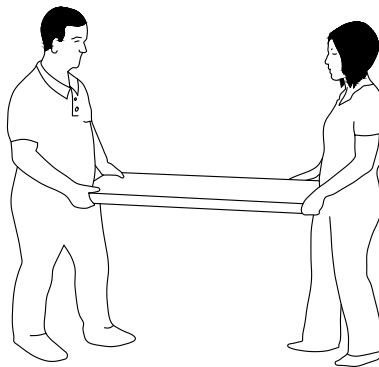
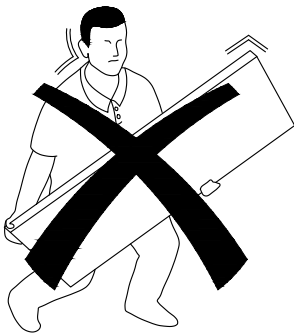
If you are anyway unsure about fixing to your wall please contact a local builder or tradesperson to have this unit hung by a professional.



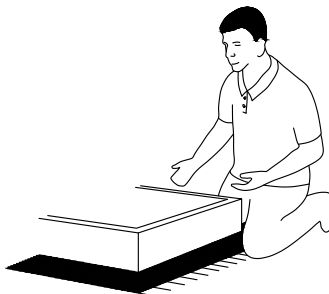
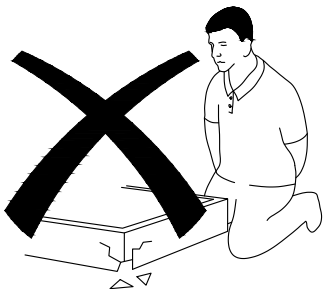
**TOOLS REQUIRED
FOR ASSEMBLY**



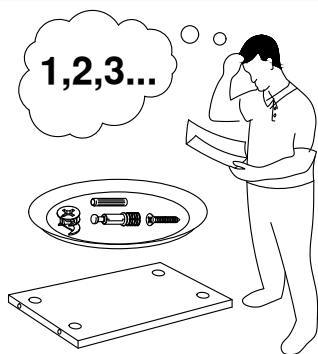
**DONT STRUGGLE
2 MAN LIFT**



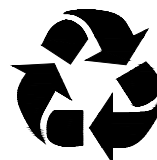
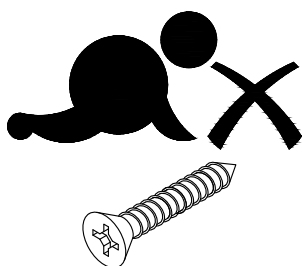
**ALWAYS HANDLE
ITEMS WITH CARE**



**IF UNSURE CALL
FOR ASSISTANCE**

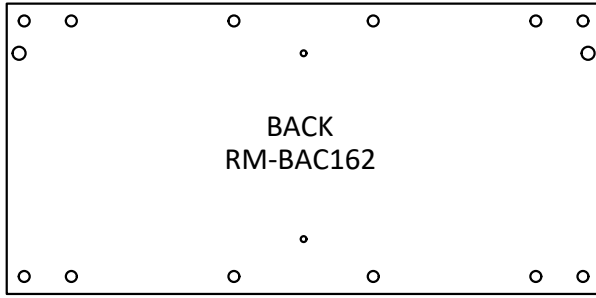


**KEEP FITTINGS AWAY
FROM CHILDREN**





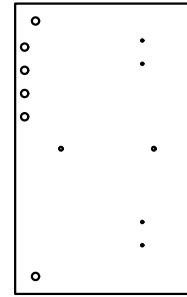
Please check that you have all the panels



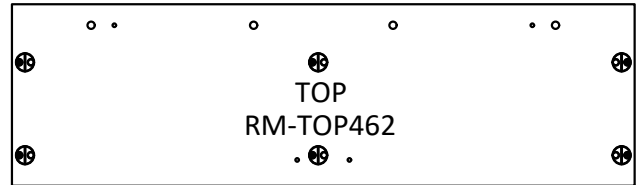
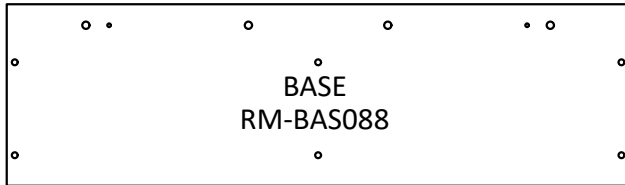
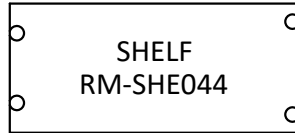
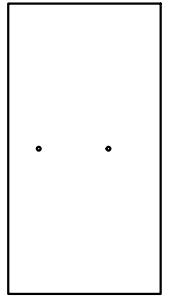
LH SIDE
RM-SID244



RH SIDE
RM-SID245

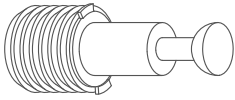


PARTITION
RM-PRT020



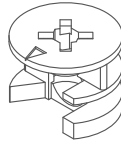
Please check that you have all the hardware

QUANTITY - 12



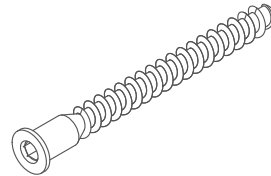
24mm QUICKFIX PIN
RM-BLT006

QUANTITY - 12



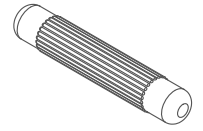
15mm QUICKFIX CAM
RM-CAM03

QUANTITY - 8



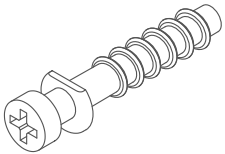
70mm CONFIRMAT SCREW
RM-CFM02

QUANTITY - 4



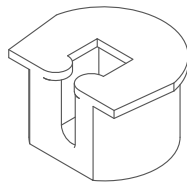
30 x 5mm WOOD DOWEL
RM-WOW01

QUANTITY - 6



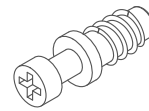
CONNECTOR SCREW
RM-PIN01

QUANTITY - 8



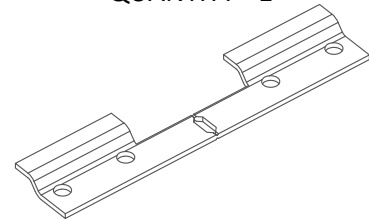
SHELF HOUSING
RM-BUN02

QUANTITY - 8



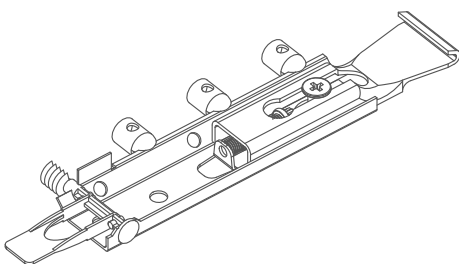
SHELF DOWELS
RM-PIN07

QUANTITY - 1



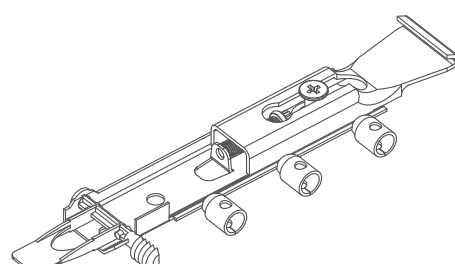
WALL HANGER BRACKET

QUANTITY - 1



LH WALL HANGER

QUANTITY - 1

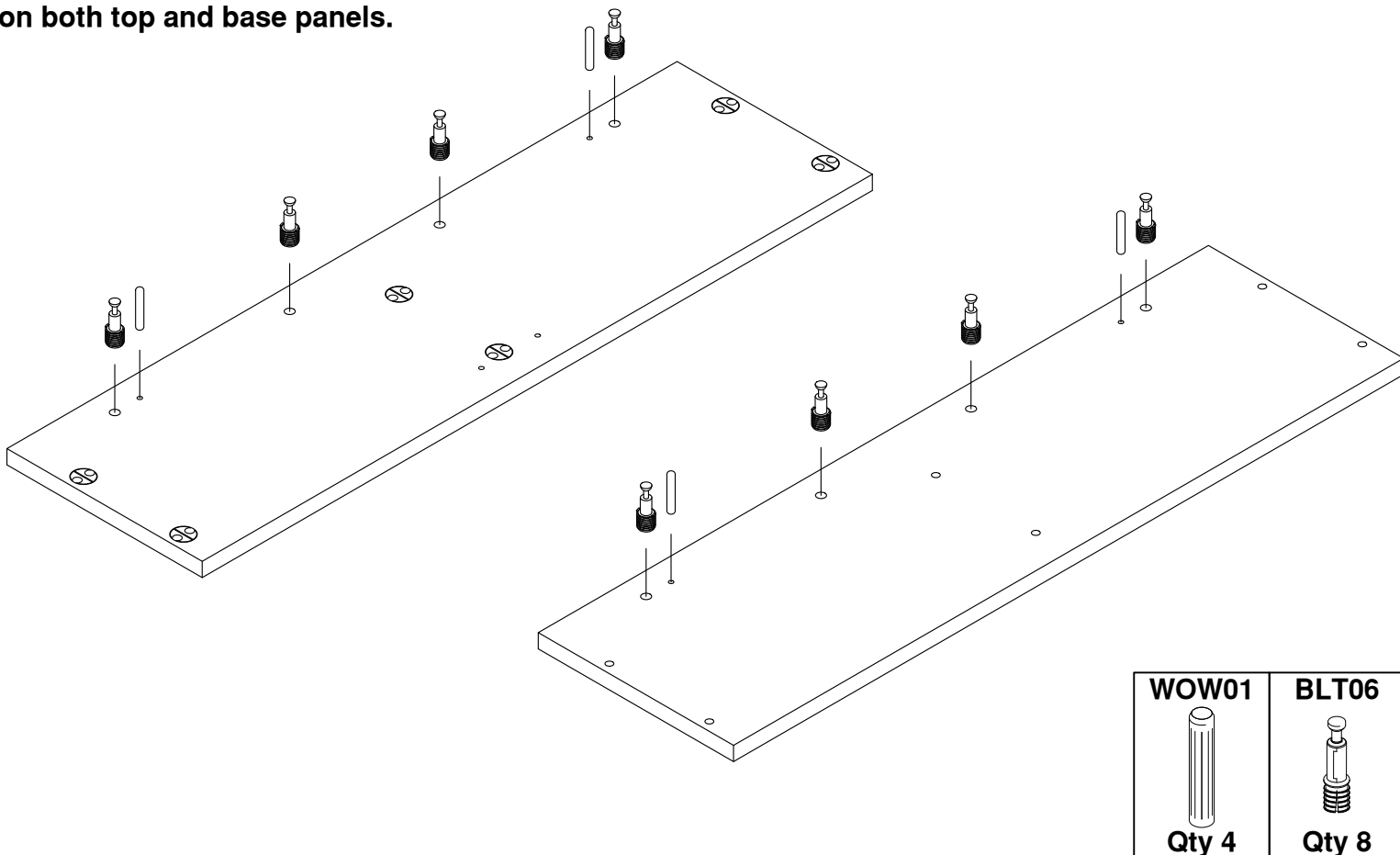


RH WALL HANGER

Prepare all the panels by inserting the listed fittings into the corresponding holes.

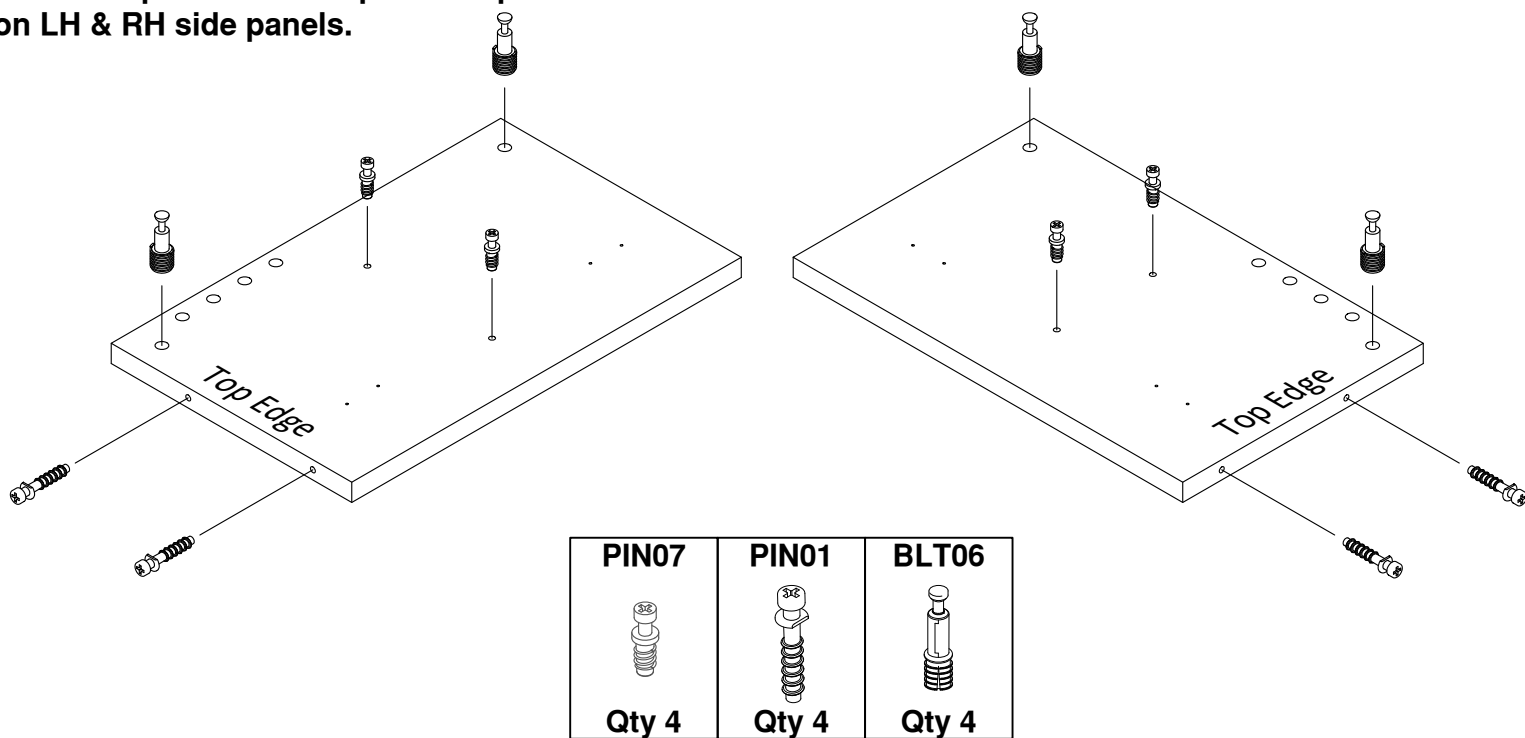
1

Step 1
Insert pins and dowels into the pre drilled holes
on both top and base panels.



2

Step 2
Insert the pins and shelf pins into pre drilled holes
on LH & RH side panels.

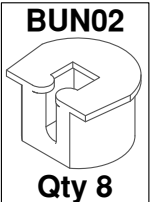
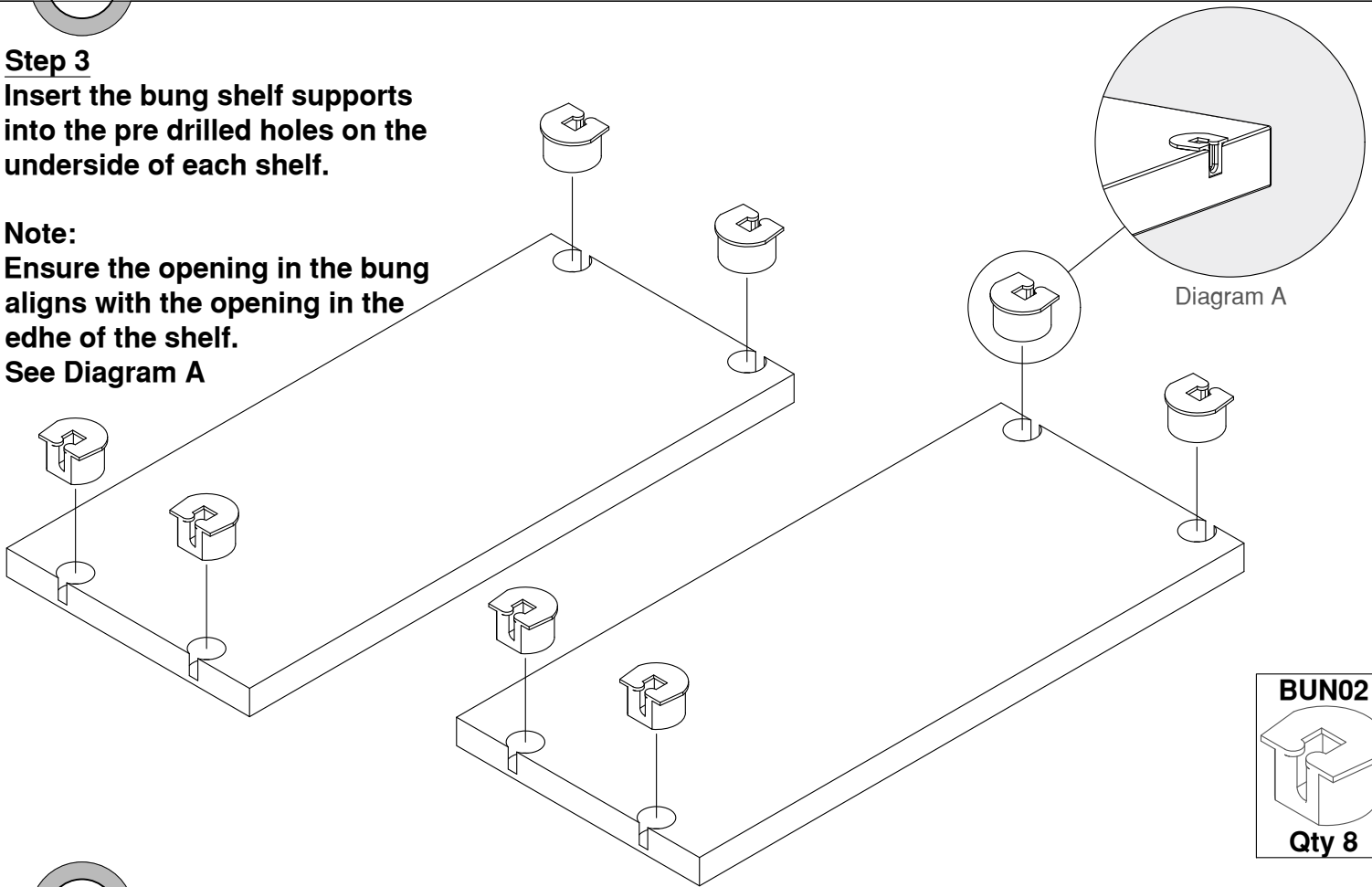


Prepare all the panels by inserting the listed fittings into the corresponding holes.

3

Step 3
Insert the bung shelf supports into the pre drilled holes on the underside of each shelf.

Note:
Ensure the opening in the bung aligns with the opening in the edge of the shelf.
See Diagram A



4

Step 4
Insert the cams into pre drilled holes on back panel.

See diagram B for details on inserting the cam fittings.

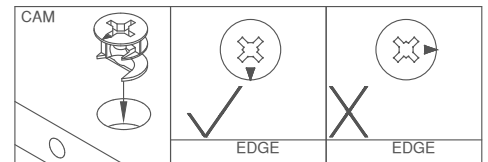
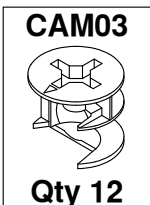
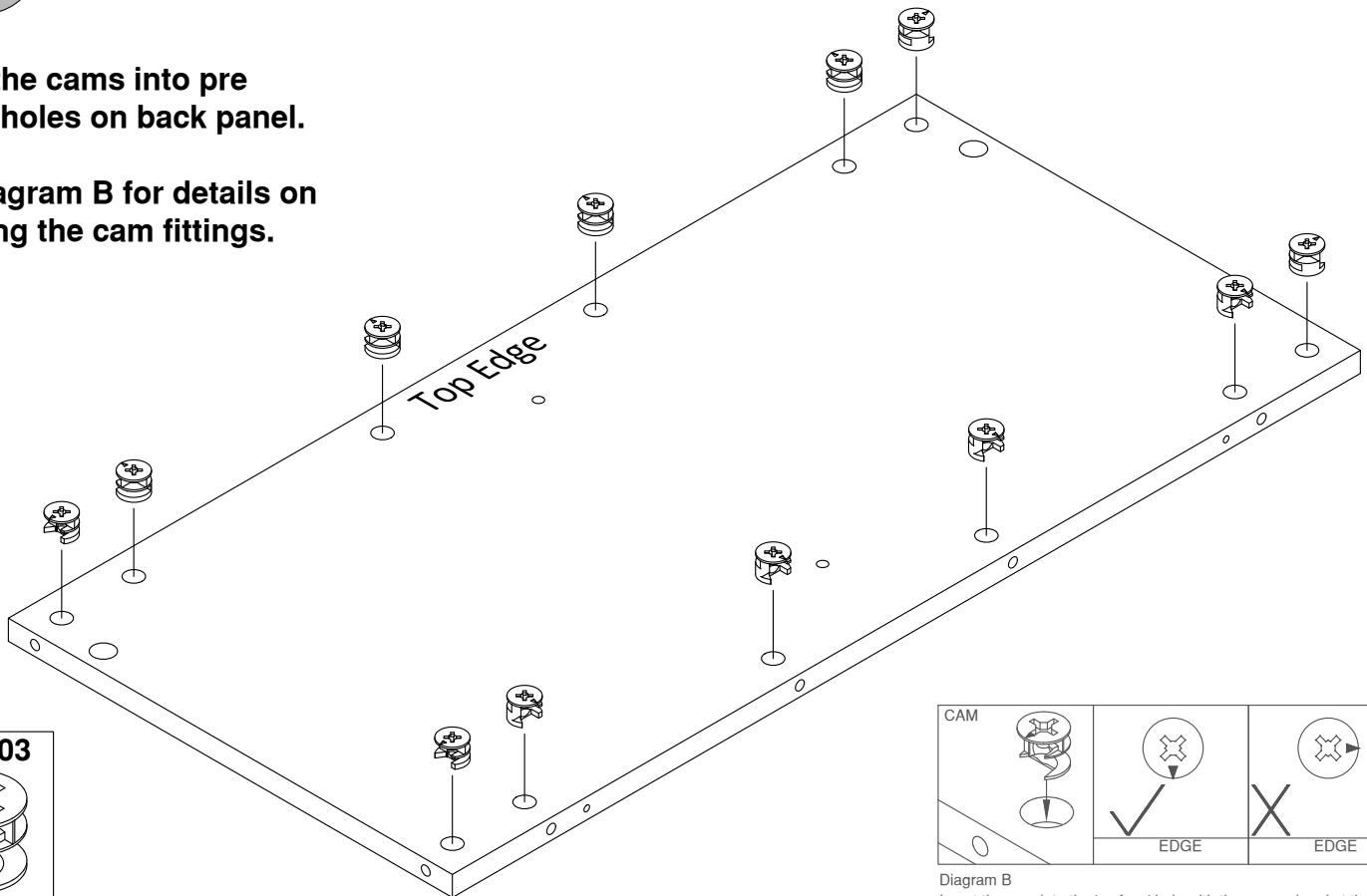


Diagram B
Insert the cam into the 'surface' hole with the arrow aimed at the adjacent edge which has the smaller hole.

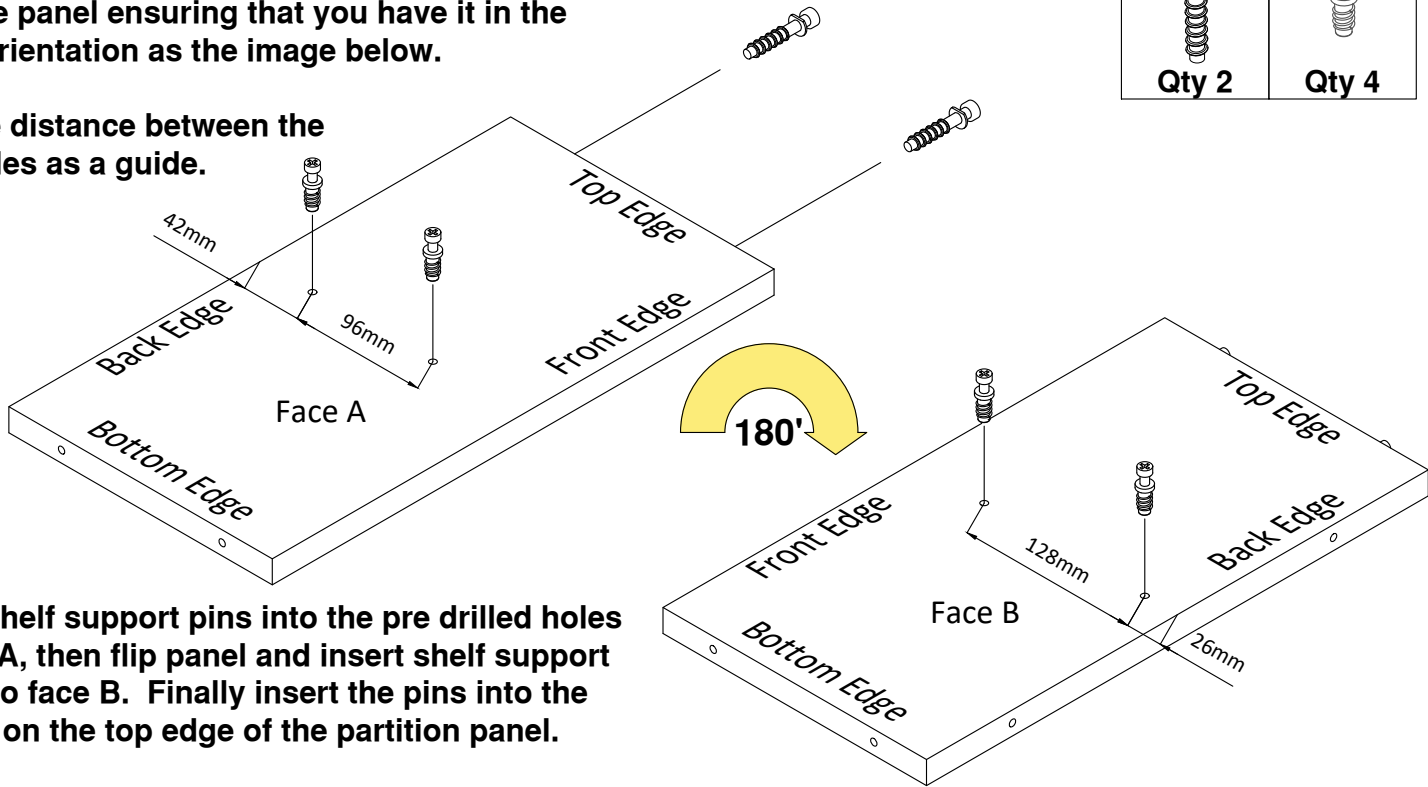
Prepare all the panels by inserting the listed fittings into the corresponding holes.

5

Step 5

Before inserting any fittings familiarise yourself with the panel ensuring that you have it in the same orientation as the image below.

Use the distance between the drill holes as a guide.



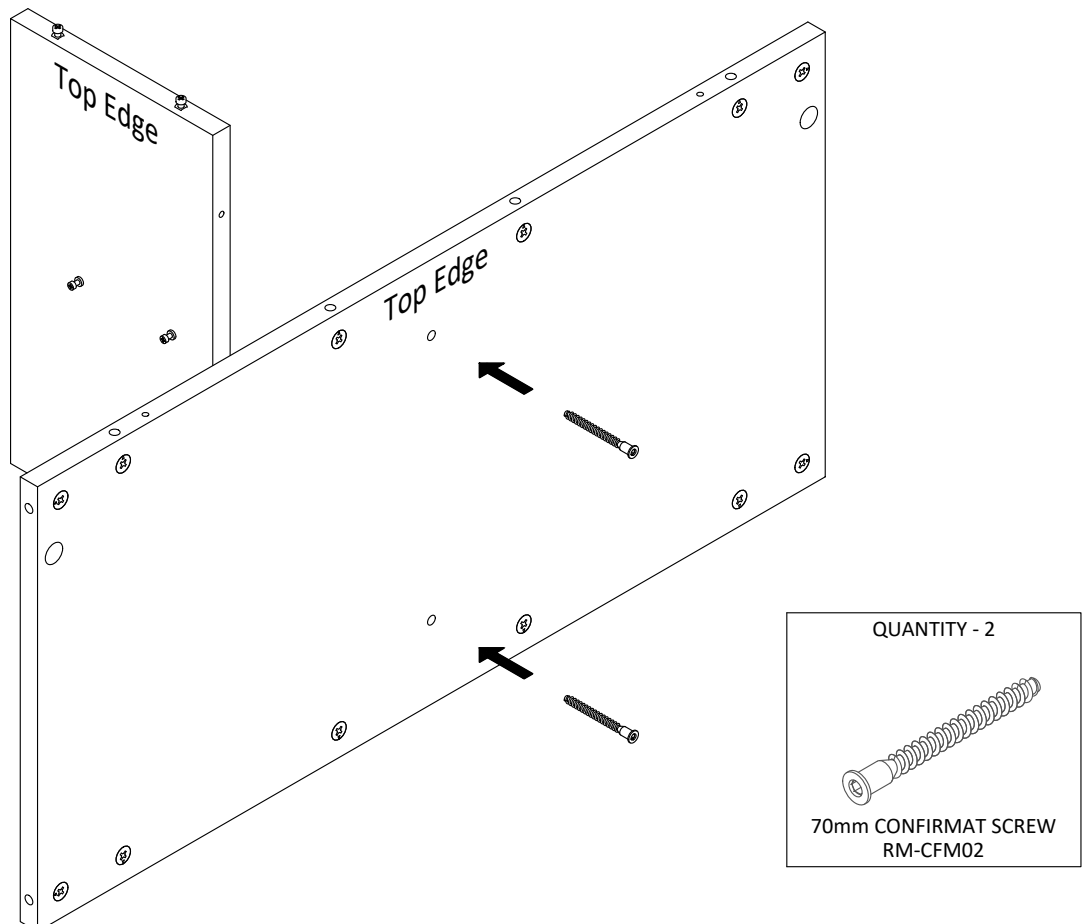
Insert shelf support pins into the pre drilled holes in face A, then flip panel and insert shelf support pins into face B. Finally insert the pins into the drilling on the top edge of the partition panel.

6

Step 6

Attach partition to back panel using confirmat screws provided.

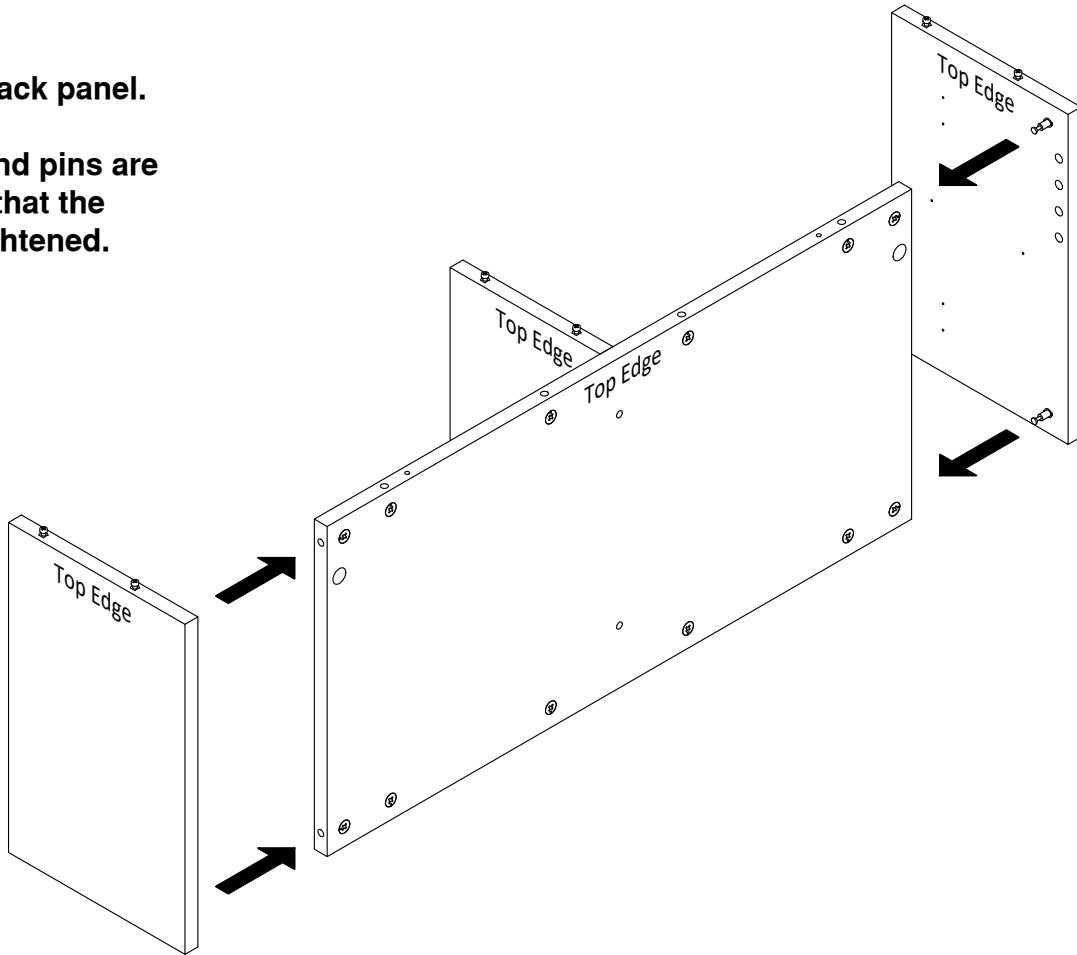
A 4mm Allen key is required to insert these screws.



7

Step 7
Attach sides to back panel.

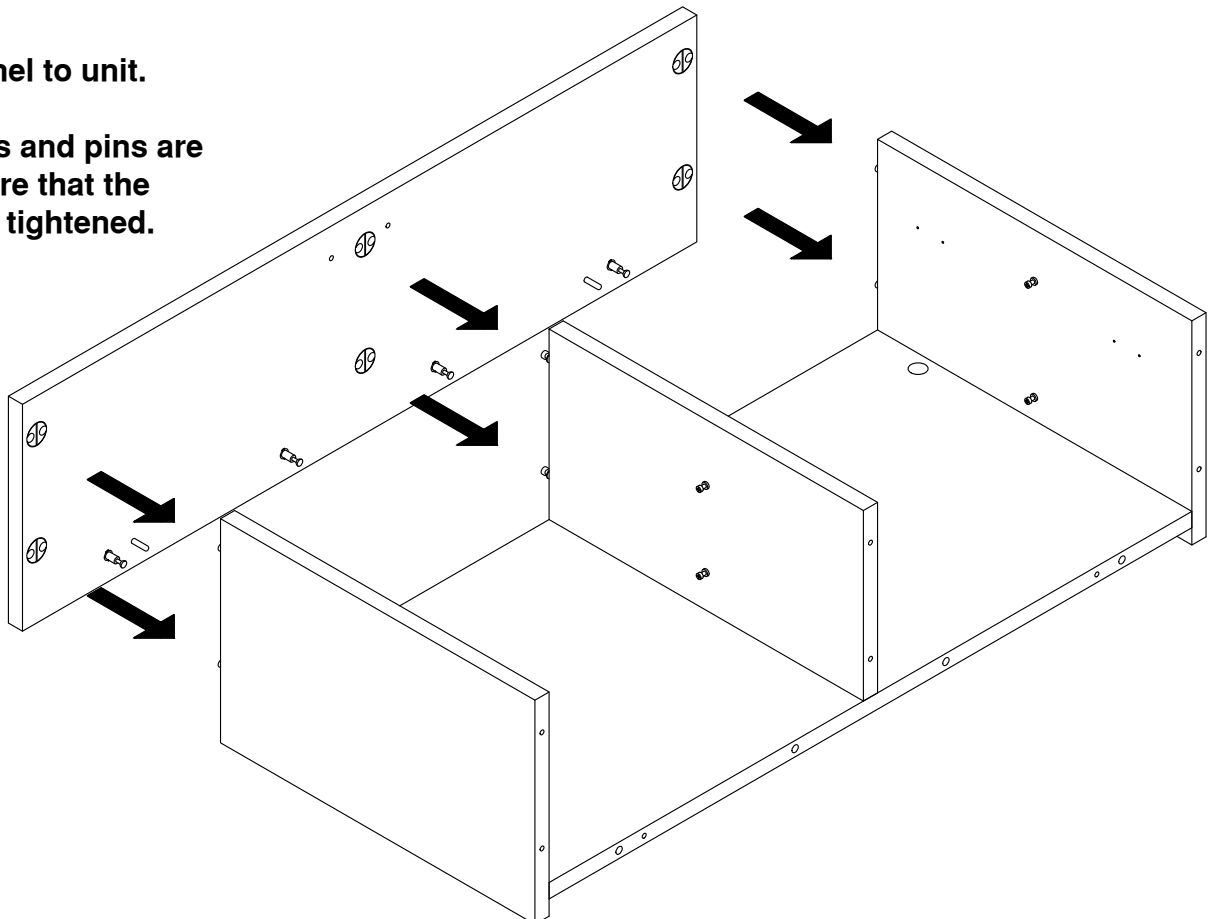
Once the cams and pins are engaged ensure that the cams are fully tightened.



8

Step 8
Attach top panel to unit.

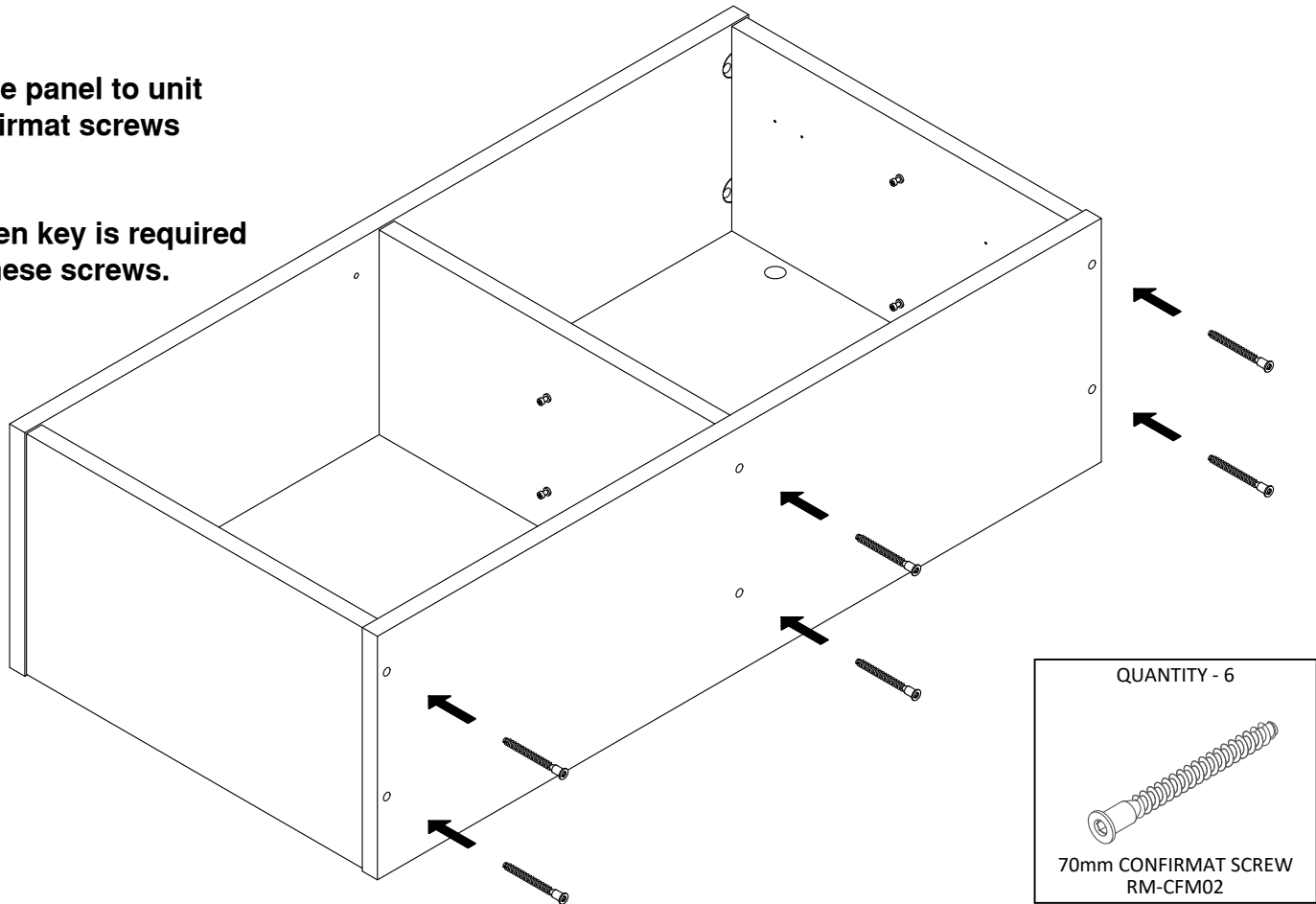
Once the cams and pins are engaged ensure that the cams are fully tightened.



9

Step 9
Attach base panel to unit
using confirmat screws
provided.

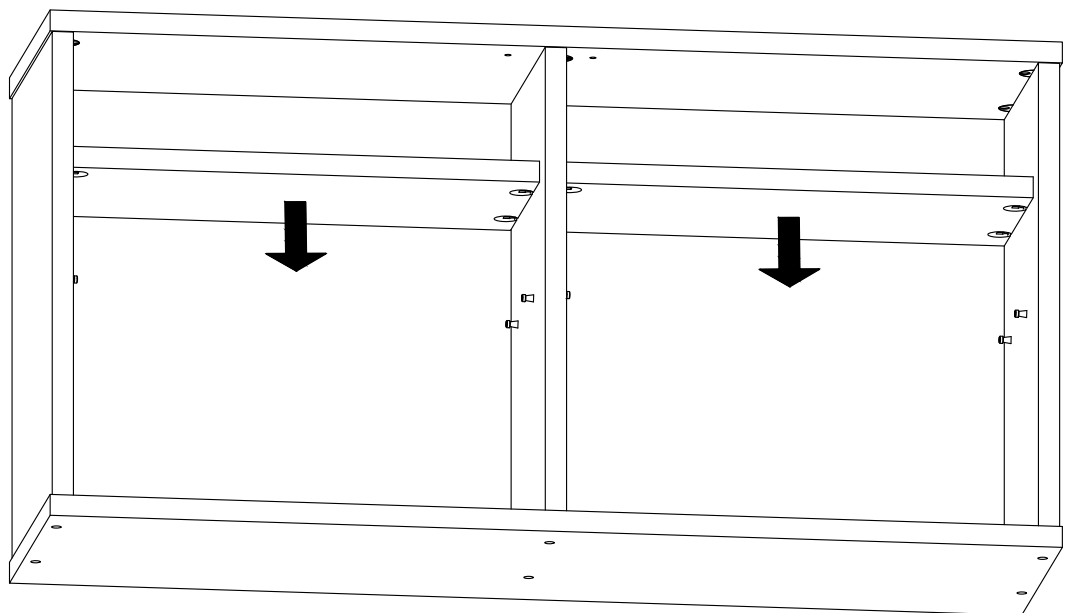
A 4mm Allen key is required
to insert these screws.



10

Step 10
Stand unit upright and
insert the shelves into the
cupboard, ensure that the
shelf support bungs fully
engage into the shelf pins.

They may need to be lightly
knocked down to ensure the
fittings fully engage.



11

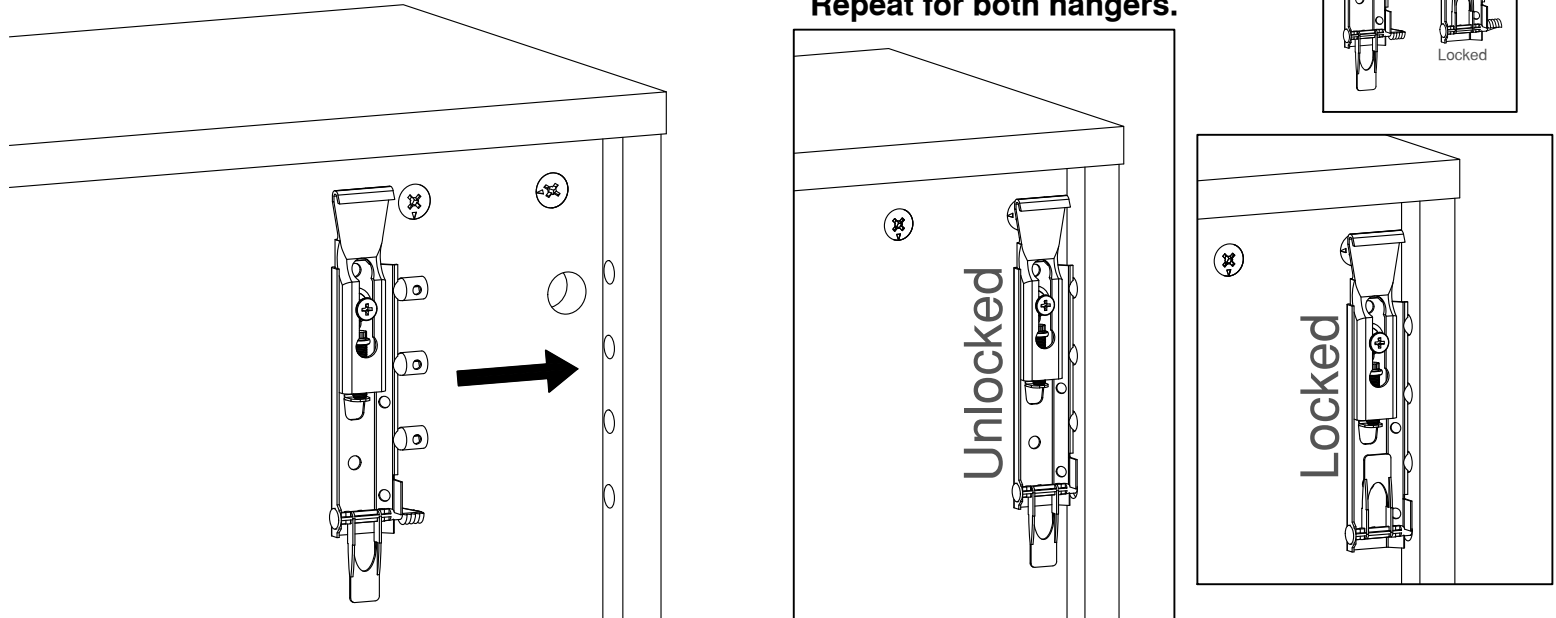
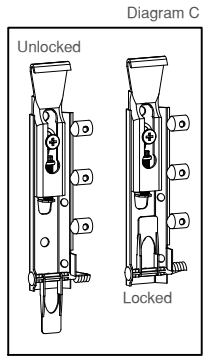
Step 11
Turn the unit around so you are now working on the back of the bookcase.

Insert the wall hanger into the side panel.

12

Step 12
Once inserted lift the tab of the hanger to the locked position. See diagram C

Repeat for both hangers.



IMPORTANT - PLEASE READ

Before starting please ensure you are aware of the type of wall that you are about to install to. No wall fixings are supplied with this unit, it is the responsibility of the installer to ensure they are using fittings that are suitable for your wall type.

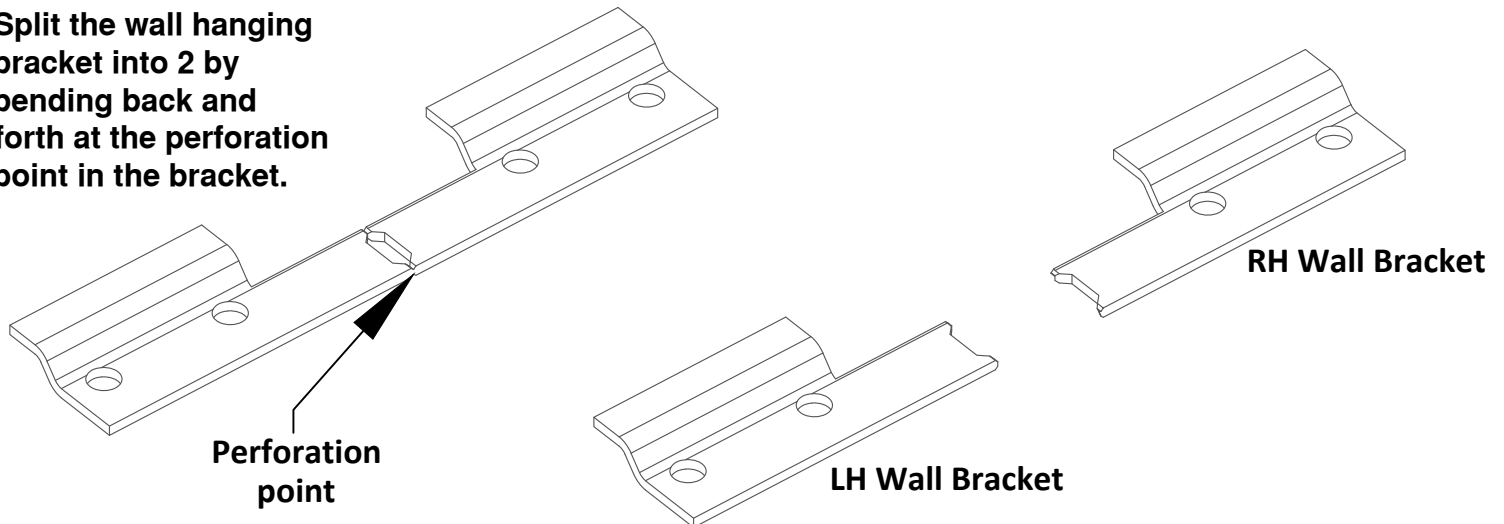
The following steps will only show guidance for the location of brackets to align with the hangers of the bookcase as well as connection instructions to hang the bookcase.

If you are anyway unsure about fixing to your wall please consult a local tradesperson or builder to have this unit hung by a professional.

13

Step 13

Split the wall hanging bracket into 2 by bending back and forth at the perforation point in the bracket.



Step 14

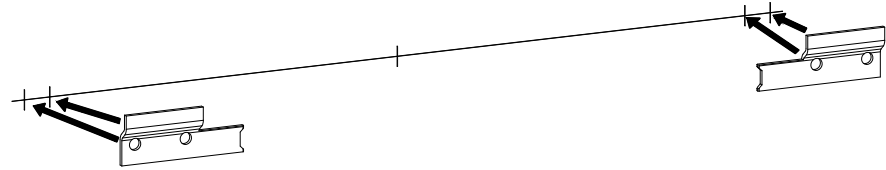
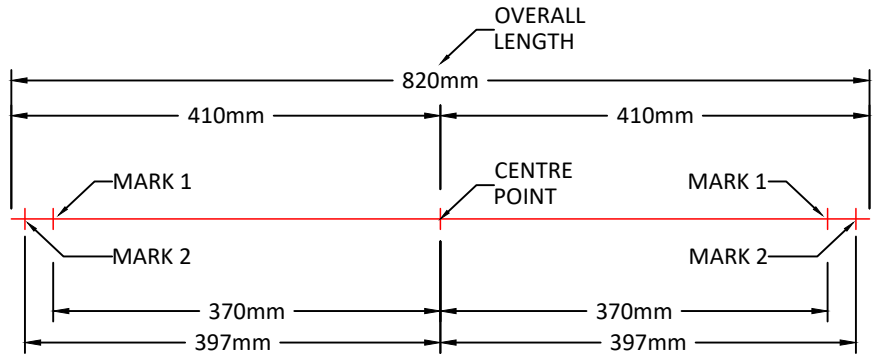
Once you have decided on the location you want your bookcase we are going to mark the wall for mounting the brackets.

Using a level and a tape measure we will mark 4 points for the brackets.

Using a spirit level start by drawing a line faintly using a pencil, this line should be 50mm lower than the top of your bookcase and should be drawn 820mm long.

Create a centre point on this line by measuring in 410mm from either end and marking with your pencil.

From this centre point measure out 370mm both to the left and right and create a mark, create a 2nd set of marks this time measuring out 396mm from the centre point.



Align brackets with the marks and screw to the wall.

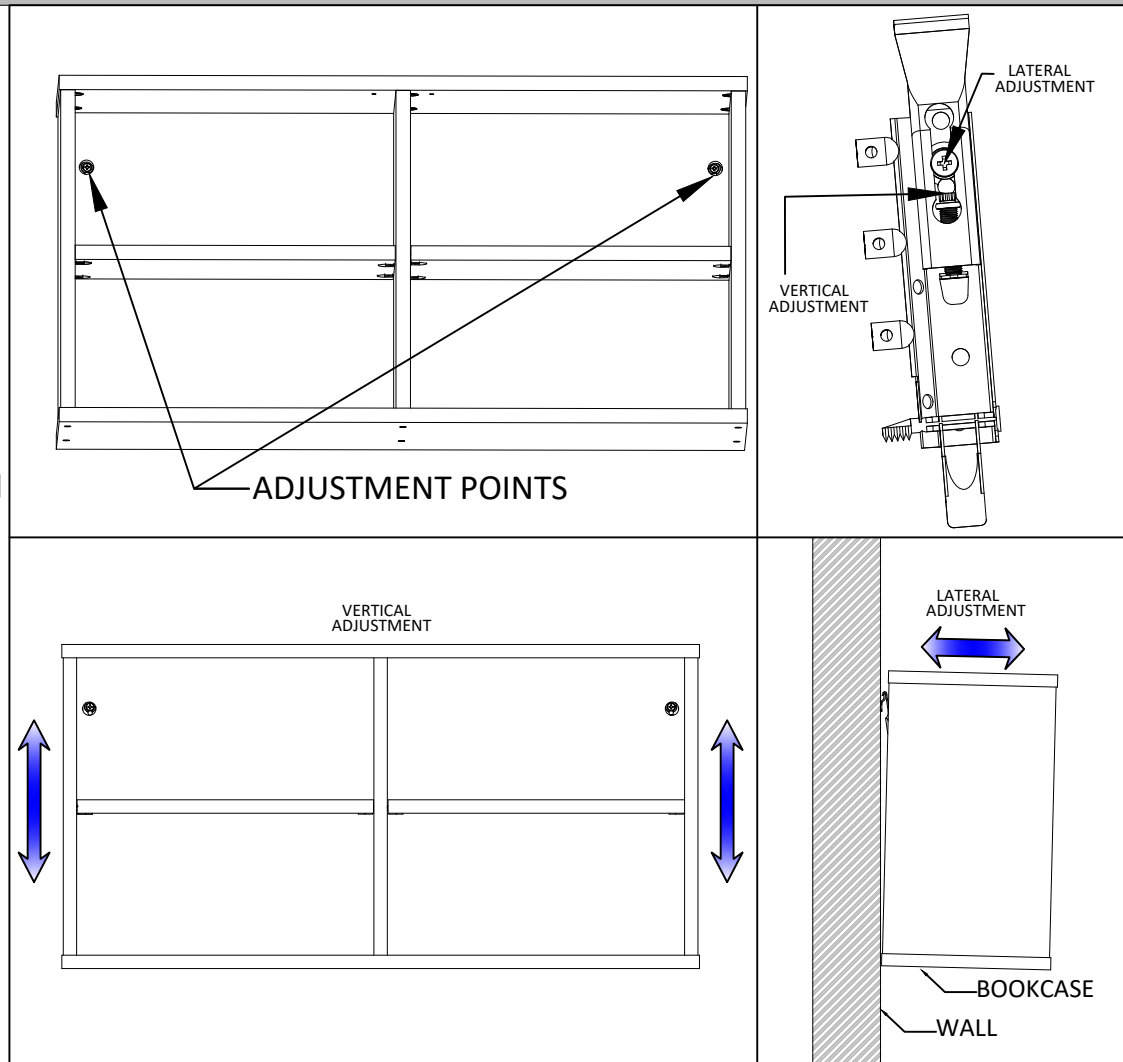
Step 15

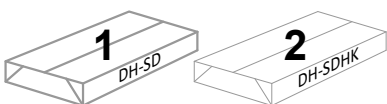
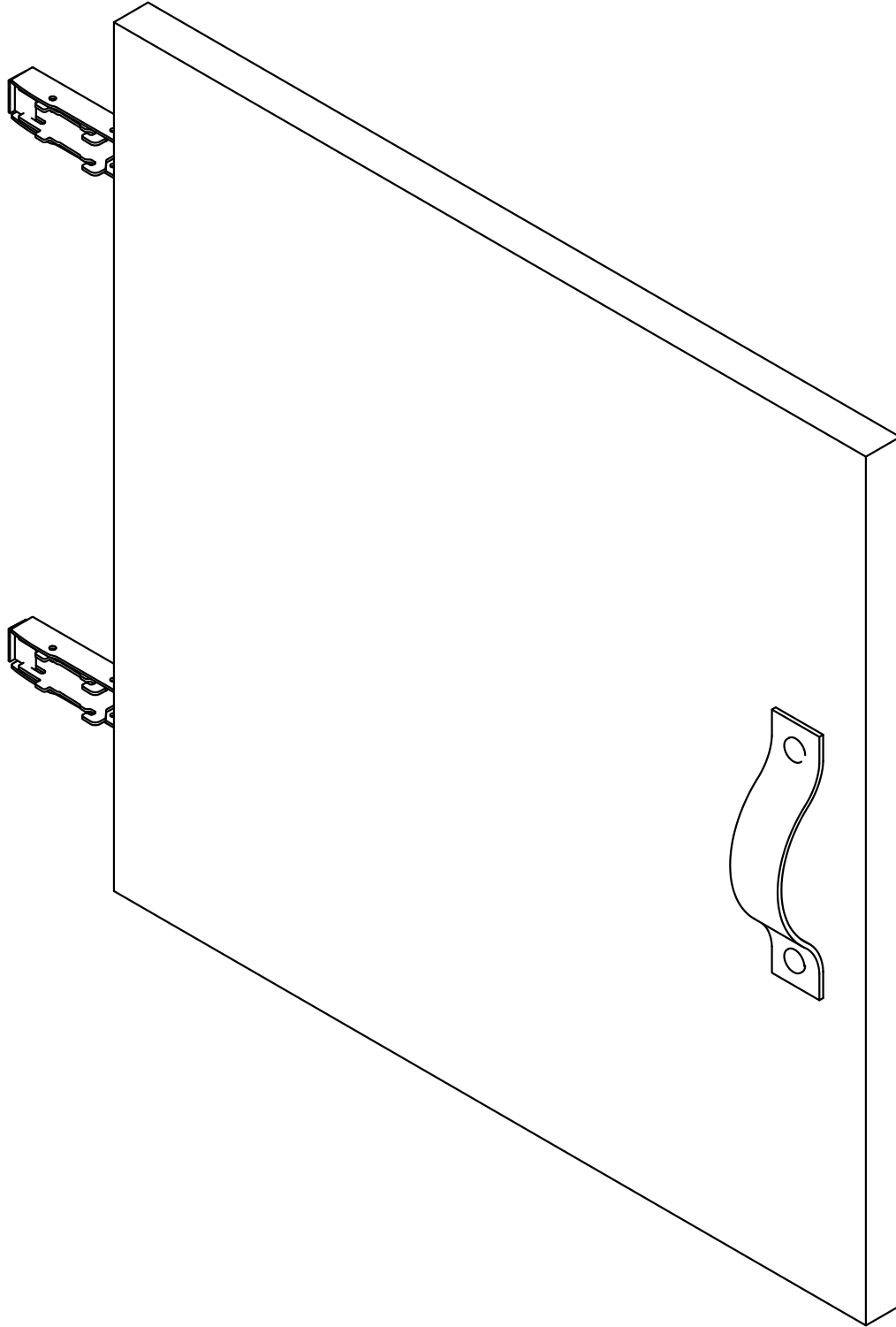
Lift the wall bookcase into position.

You will need to lift the unit higher than the brackets, push against the wall and slowly lower ensuring that the wall hangers engage with the wall brackets.

Do not let go of the unit until you are sure that it is correctly connected to the wall bracket.

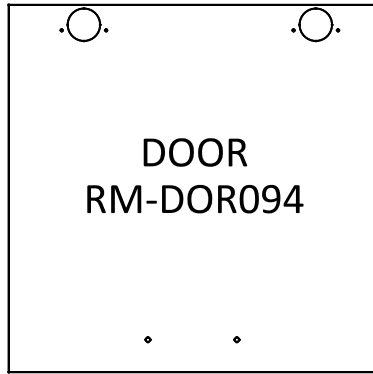
There is 2 types of adjustment on the bracket that can be used to level and adjust the position of the unit.







Please check that you have all the panels!



Please check that you have all the hardware!

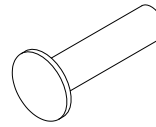


QUANTITY - 2



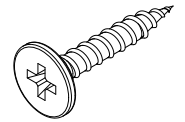
M4 x 6mm SLOTTED SCREW
RM-SCR27

QUANTITY - 2



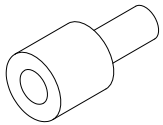
M4 x 20mm BOOK SCREW
RM-SCR28

QUANTITY - 4



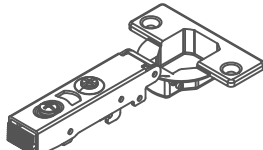
3.5 x 15mm WOOD SCREW
RM-SCR26

QUANTITY - 1



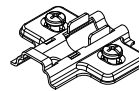
5mm Door Stop Peg

QUANTITY - 2



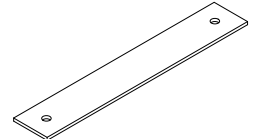
110' CLIP ON - SOFT CLOSE

QUANTITY - 2



CLIP ON HINGE PLATE

QUANTITY - 1



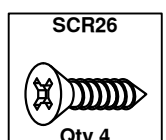
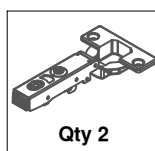
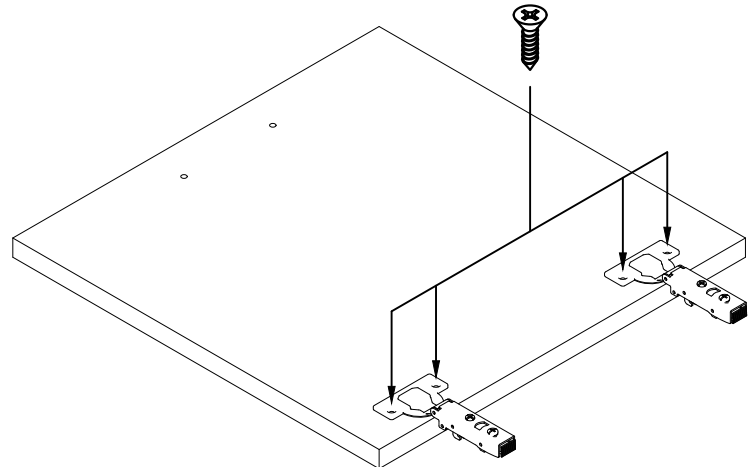
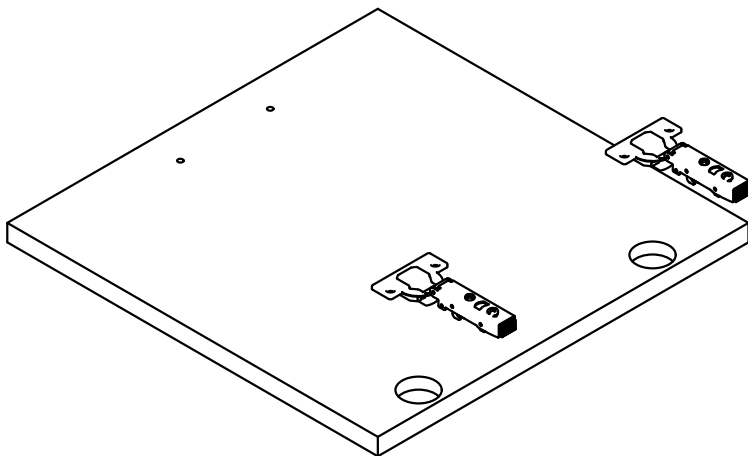
LEATHER STRAP HANDLE
RM-HDL18

1

2

Step 1
Place the hinges into the pre drilled holes on the inside face of the door panel.

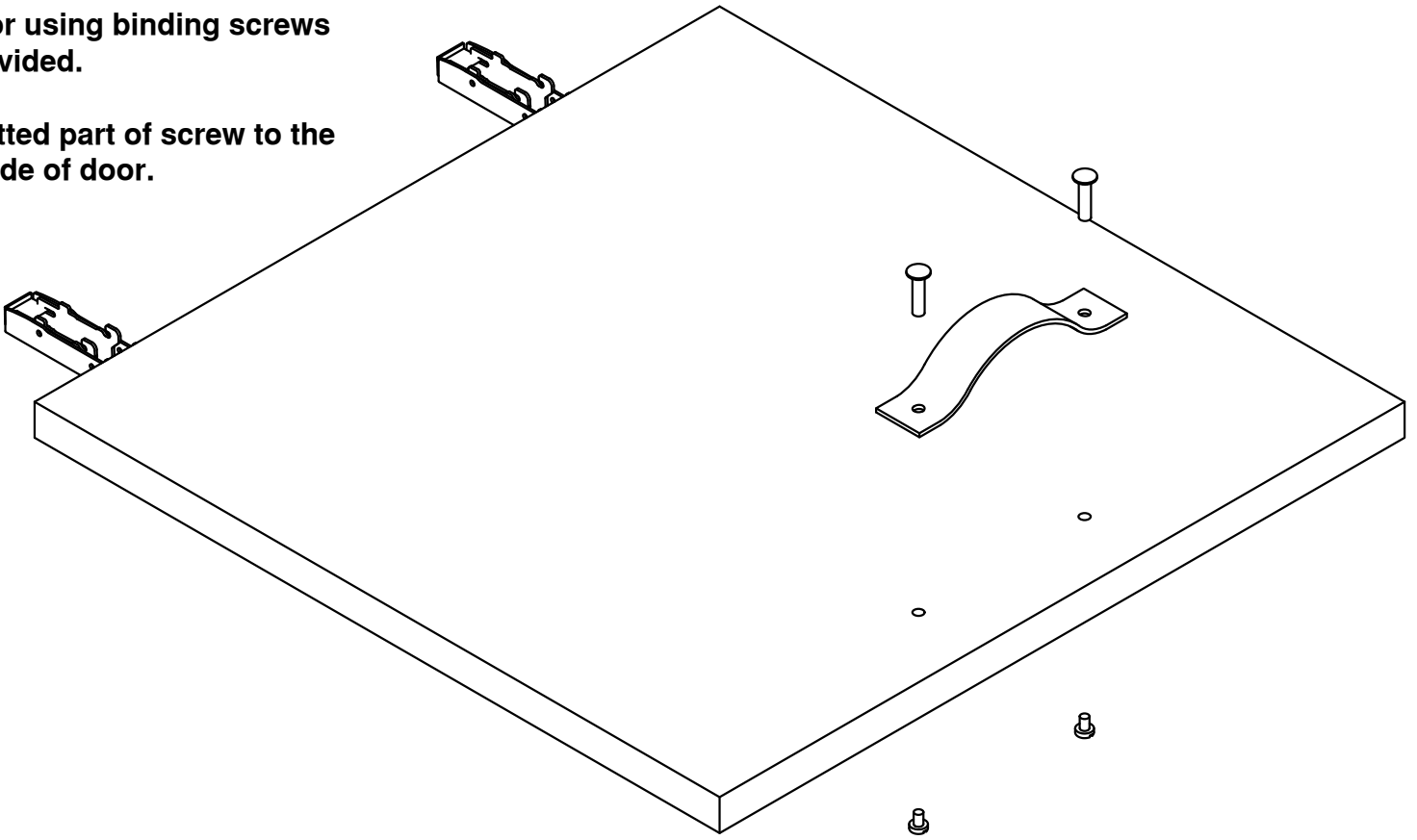
Step 2
Attach the hinges using the 3.5 x 15mm wood screws, 2 screws per hinge.



3

Step 3
Attach leather handle to door using binding screws provided.

Slotted part of screw to the inside of door.



4

Step 4
Attach the hinge plates to the pre drilled holes on the inside face of the bookcase side panels, these plates are fitted with pre attached screws.

Ensure the plate is fitted as per diagram 1.

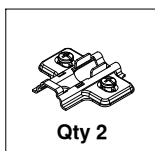
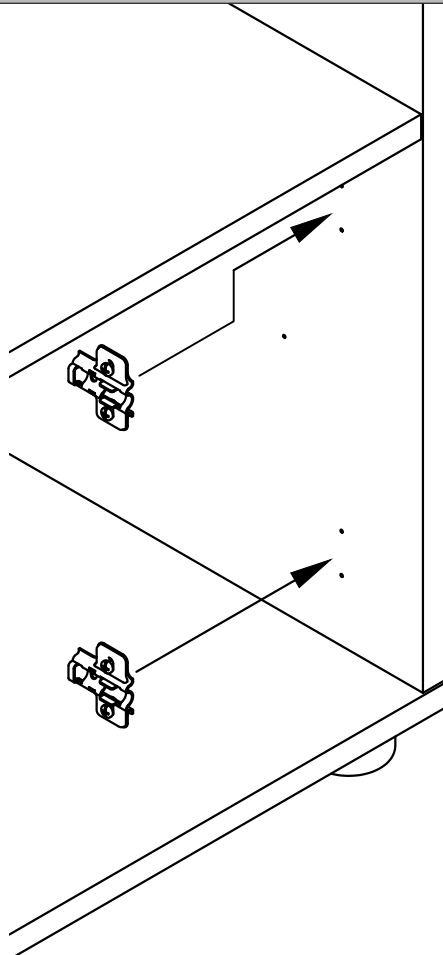
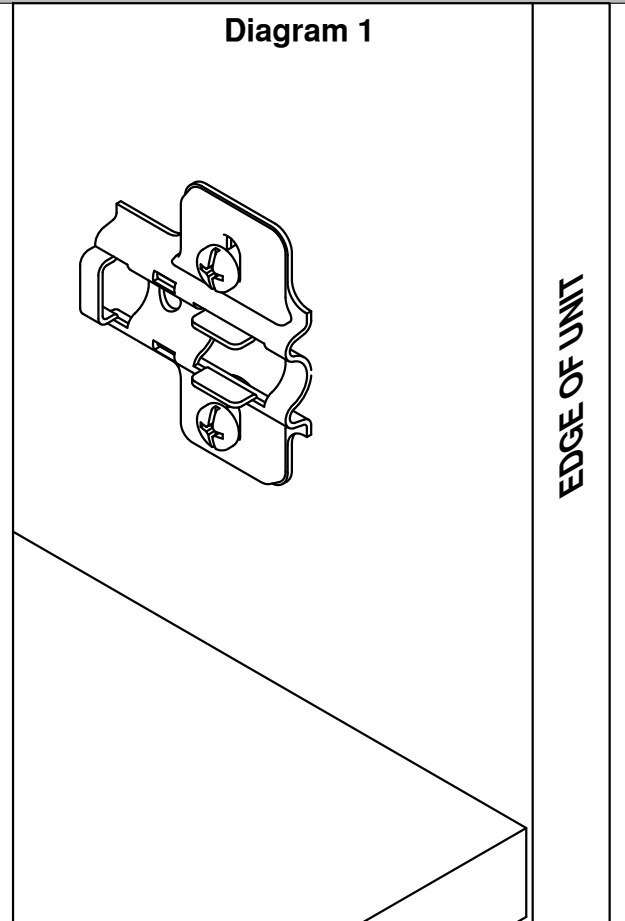


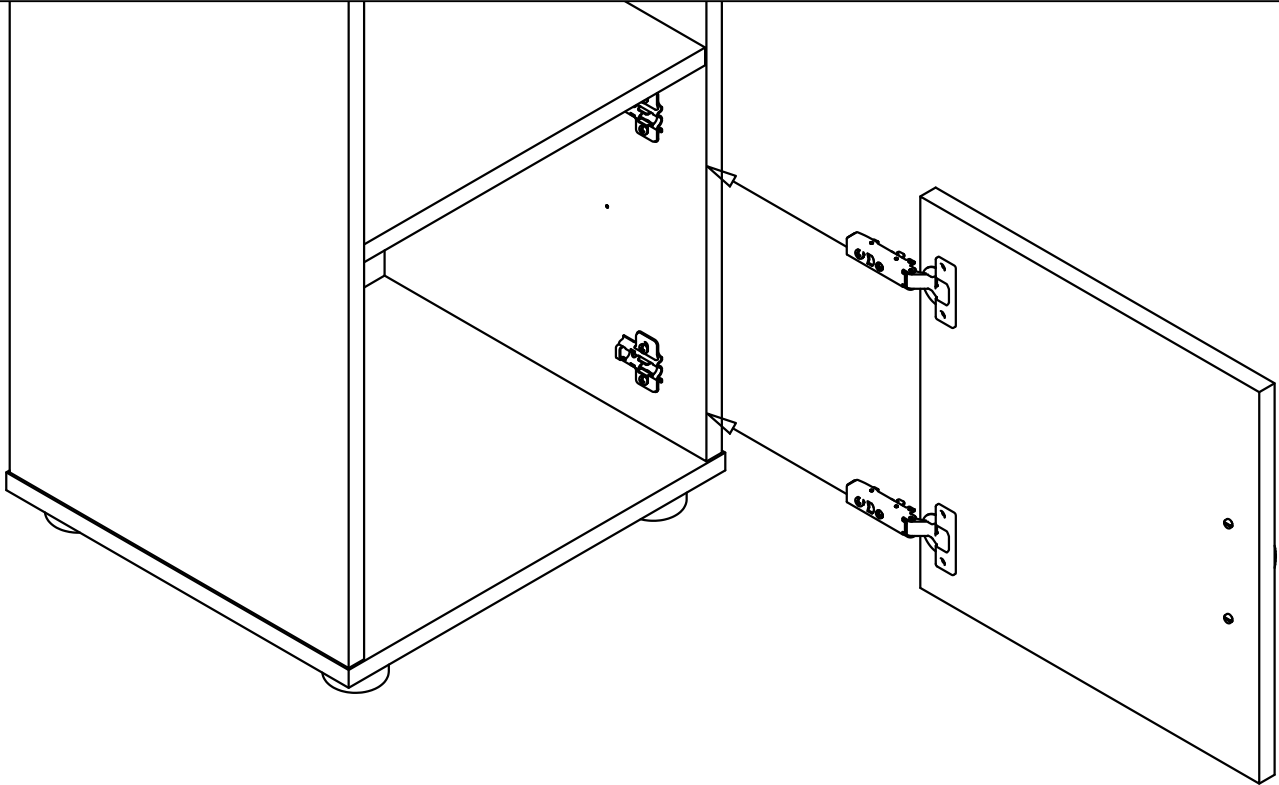
Diagram 1



Step 5

Attach door to the unit. Diagrams 2 & 3 show how to lock the hinge to the plate. Always lock the top hinge into place first before repeating for bottom hinge.

Once the door is attached insert the door stop peg to prevent the door from closing in too far.



Ensure the hook of the hinge locates into the hinge plate.

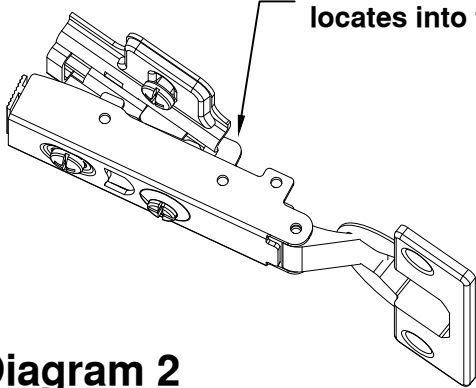


Diagram 2

Fasten the hinge to the plate by applying pressure here.

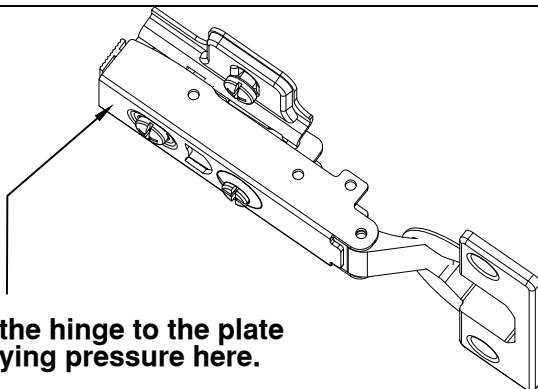


Diagram 3

