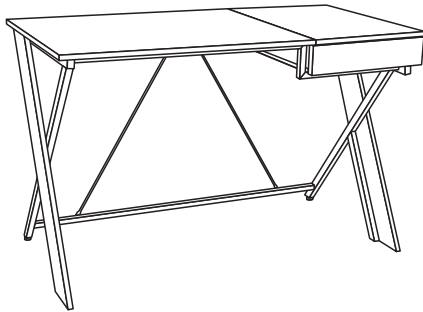


ASSEMBLY INSTRUCTIONS

- A** 3.5x12mm 8PCS
- B** 5x50mm 8PCS
- C** M6x15mm 3PCS
- D** M6x30mm 22PCS
- E** M6x40mm 4PCS
- F** M6x50mm 1PCS
- G** 2PCS
- H** 3.5x12mm 10CS
- I** 8x30mm 8PCS
- J** 8x40mm 2PCS
- K** 8x40mm 2PCS
- L** M6 6PCS
- M** 4PCS
- N** 2PCS



Do not tighten bolts fully until you have completed assembly.
 Should you require any assistance in assembling your goods please contact customer services on 0151 548 7 111 between 9am/4:30pm.
 We always recommend positioning this workstation with the back of the unit against a wall.
 We also supply wall straps to attach the workstation to the wall if desired.

