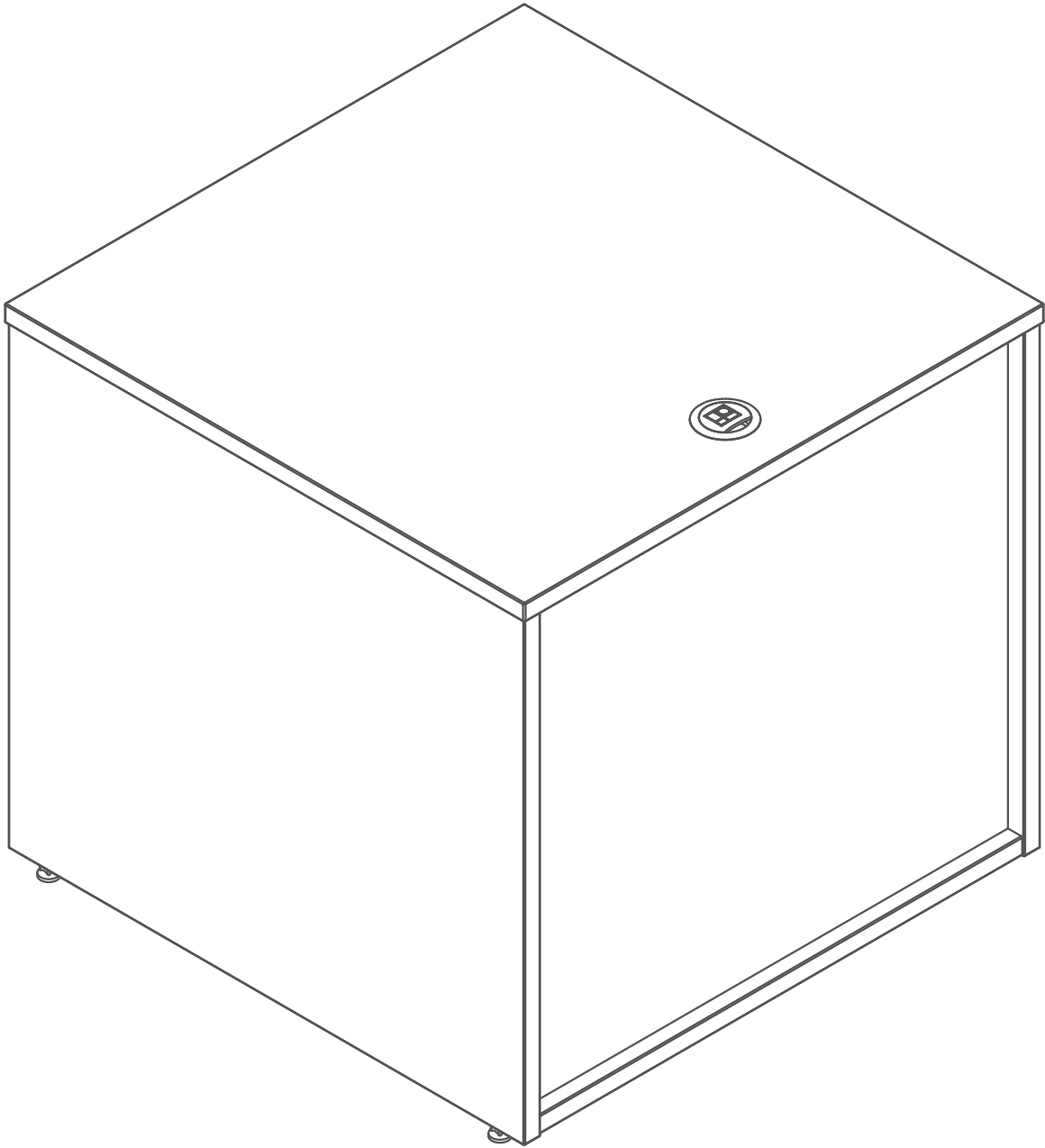
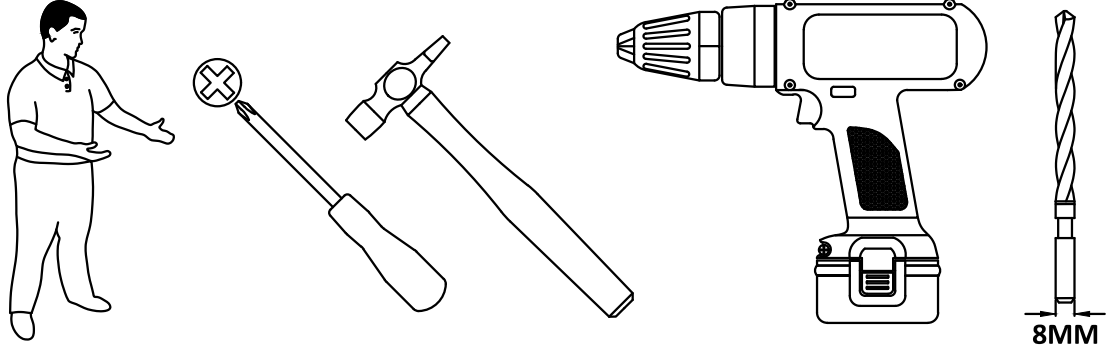


RU8DT

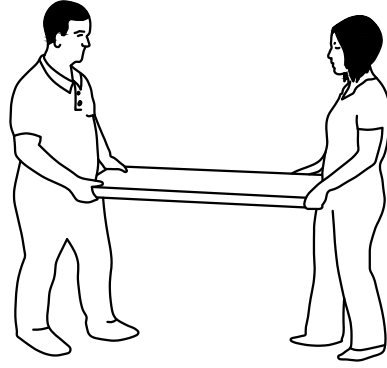
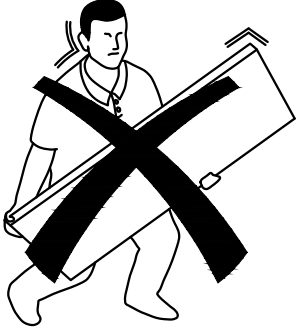
800mm Straight Reception Desk



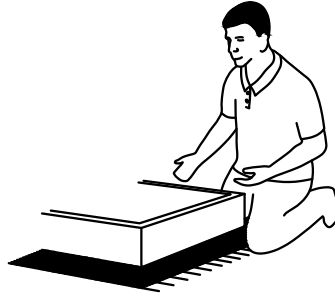
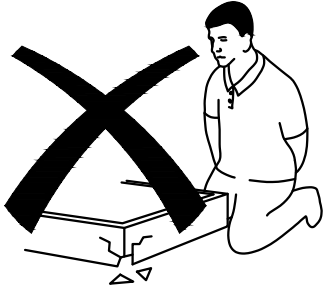
**TOOLS REQUIRED
FOR ASSEMBLY**



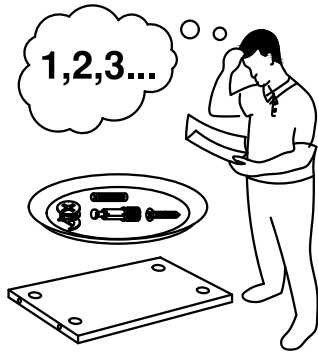
**DONT STRUGGLE
2 MAN LIFT**



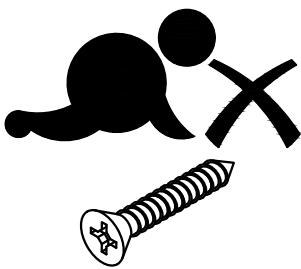
**ALWAYS HANDLE
ITEMS WITH CARE**



**IF UNSURE CALL
FOR ASSISTANCE**

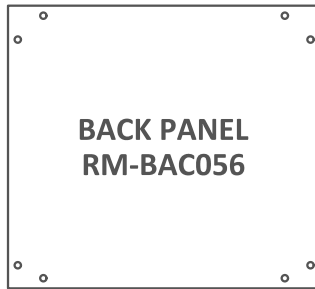
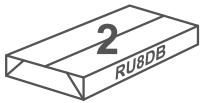
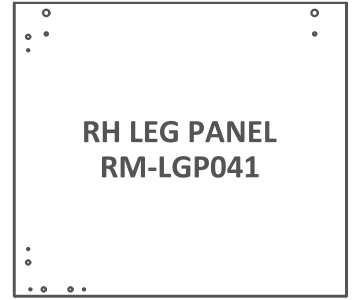
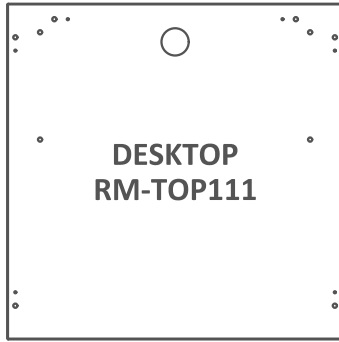


**KEEP FITTINGS AWAY
FROM CHILDREN**

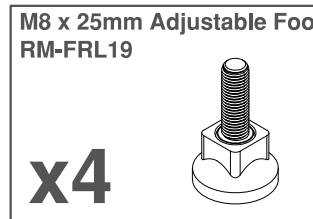
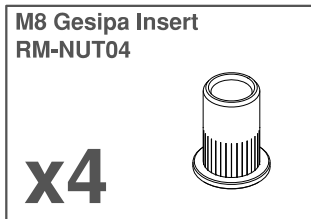
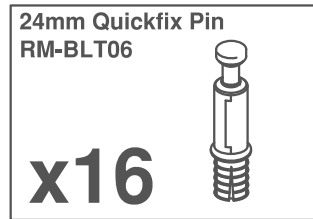
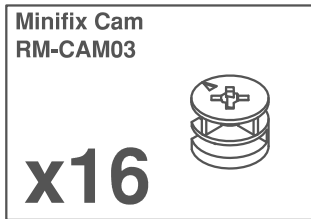




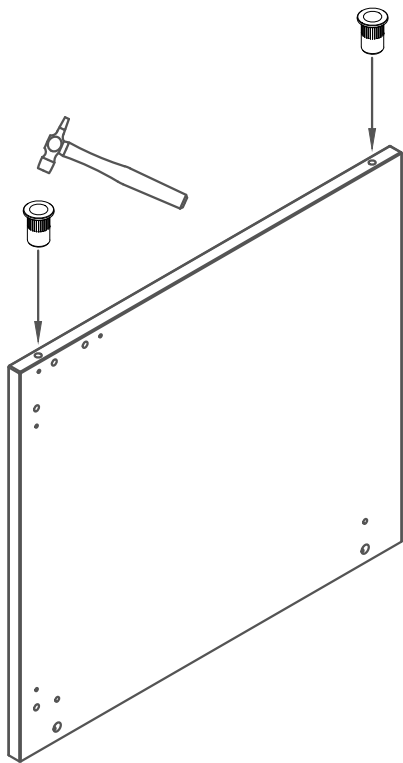
Please check that you have all the panels!



Please check that you have all the fittings!

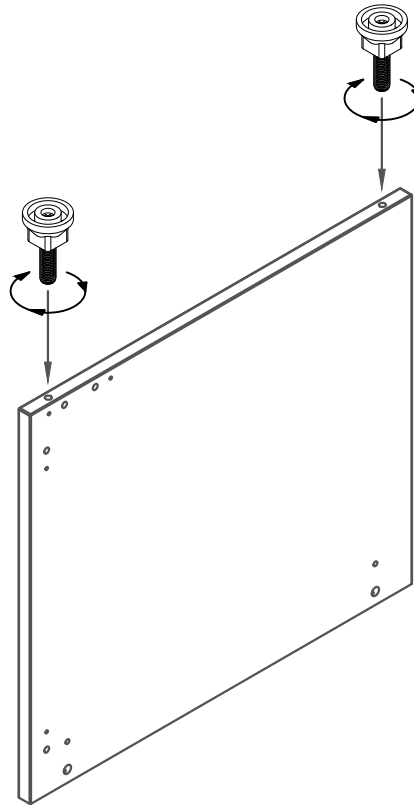


1



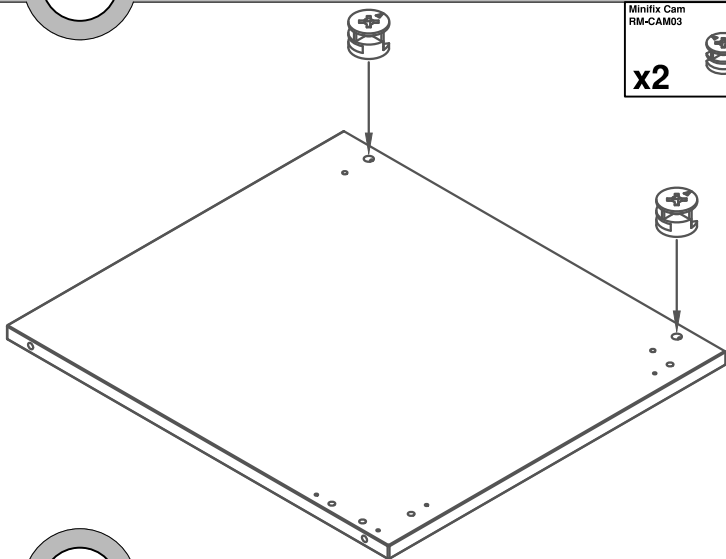
M8 Gesipa Insert
RM-NUT04
x4

2



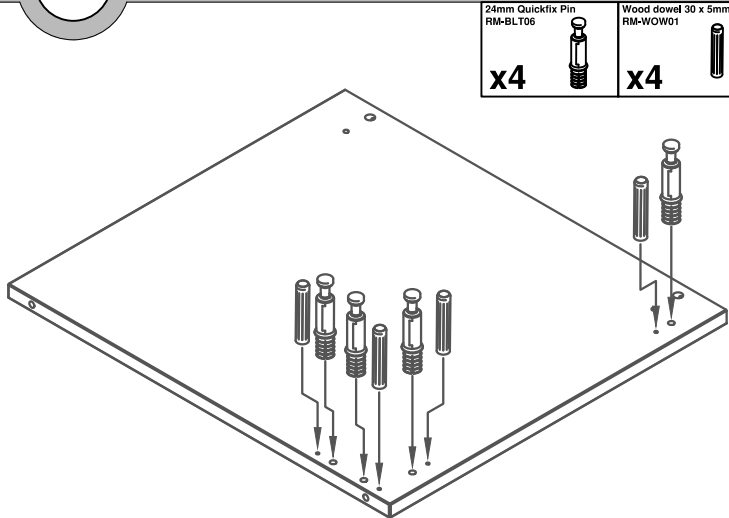
M8 x 25mm Adj Foot
RM-FRL19
x4

3



Minifix Cam
RM-CAM03
x2

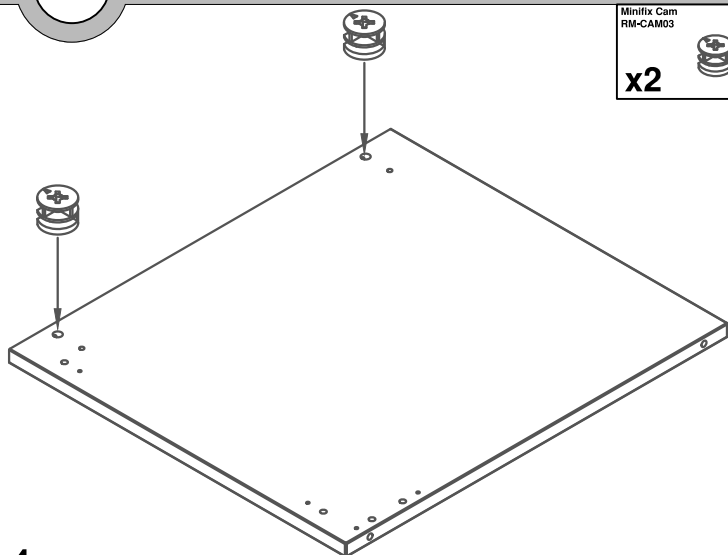
4



24mm Quickfix Pin
RM-BLT06
x4

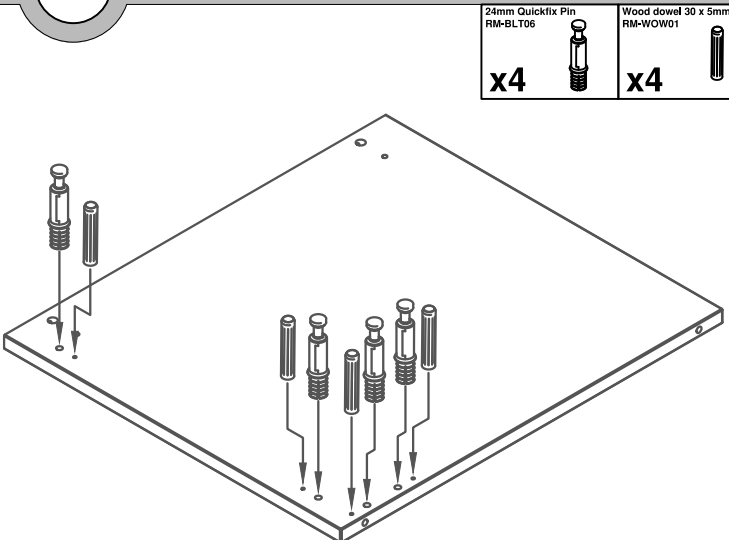
Wood dowel 30 x 5mm
RM-WOW01
x4

5



Minifix Cam
RM-CAM03
x2

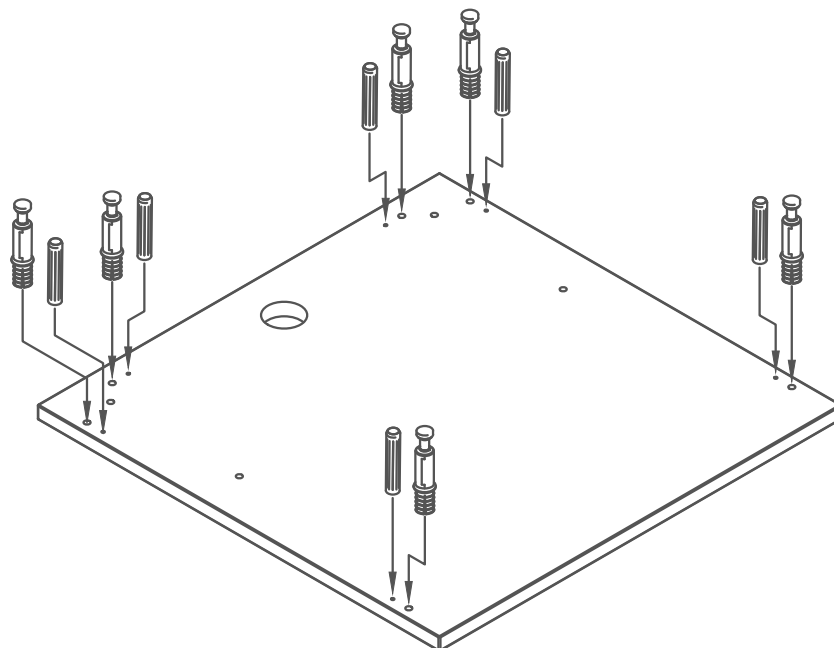
6



24mm Quickfix Pin
RM-BLT06
x4

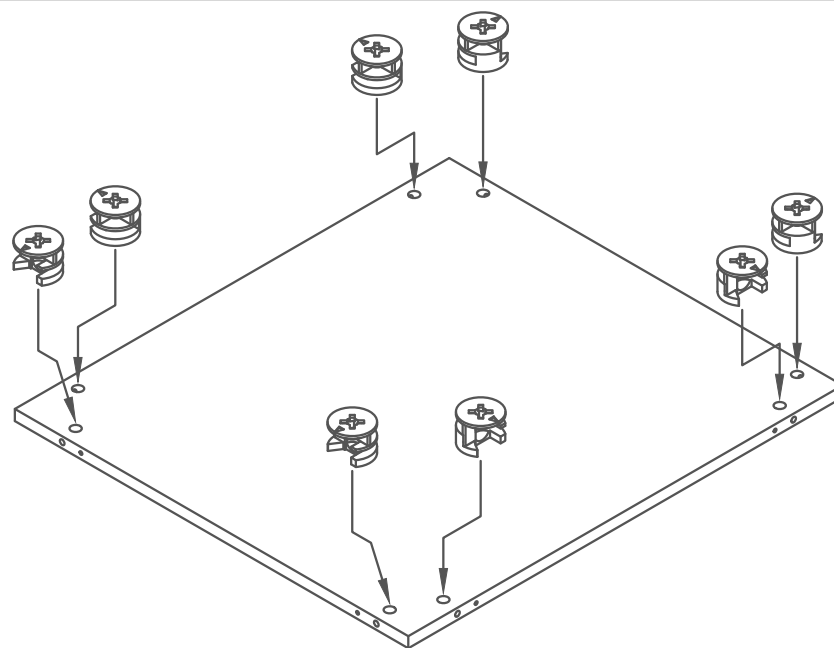
Wood dowel 30 x 5mm
RM-WOW01
x4

7



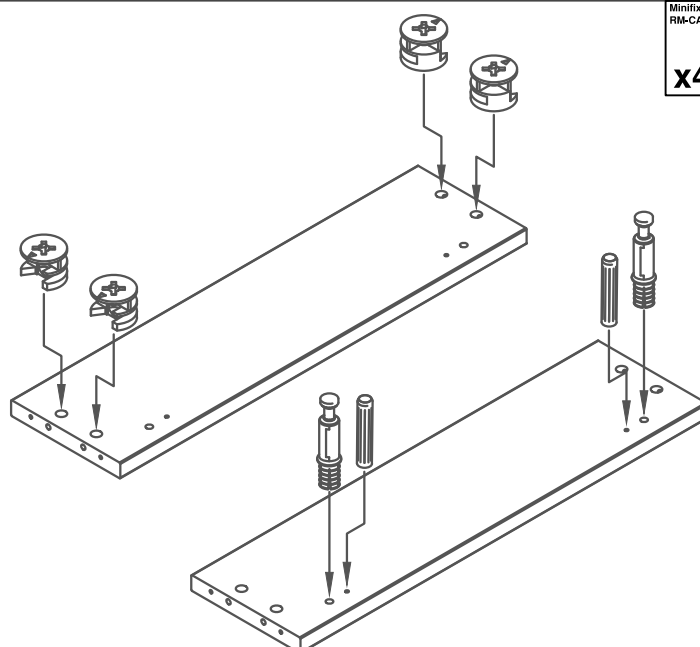
24mm Quickfix Pin RM-BLT05	Wood dowel 30 x 5mm RM-WOW01
x6	x6

8



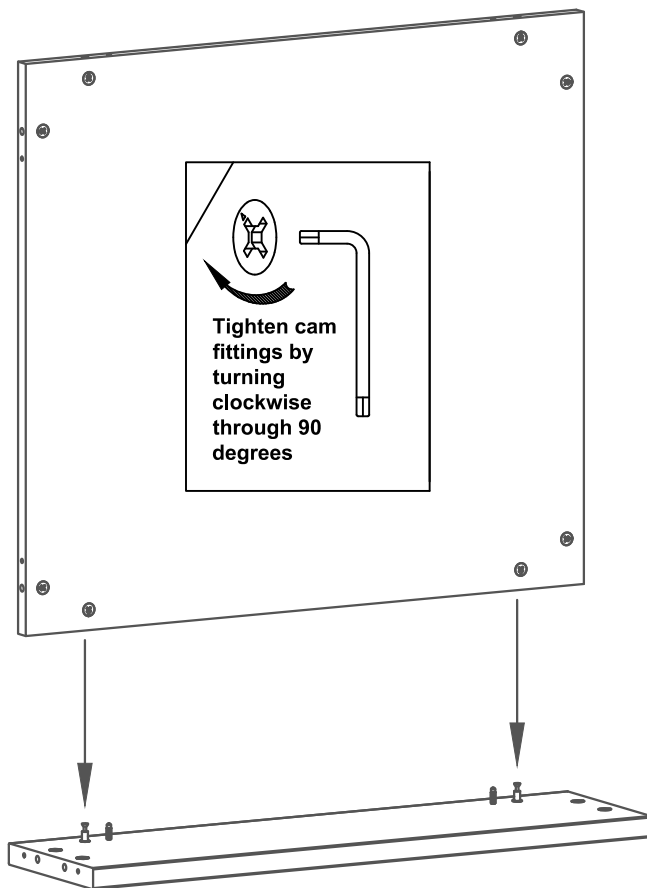
Minifix Cam RM-CAM03
x8

9

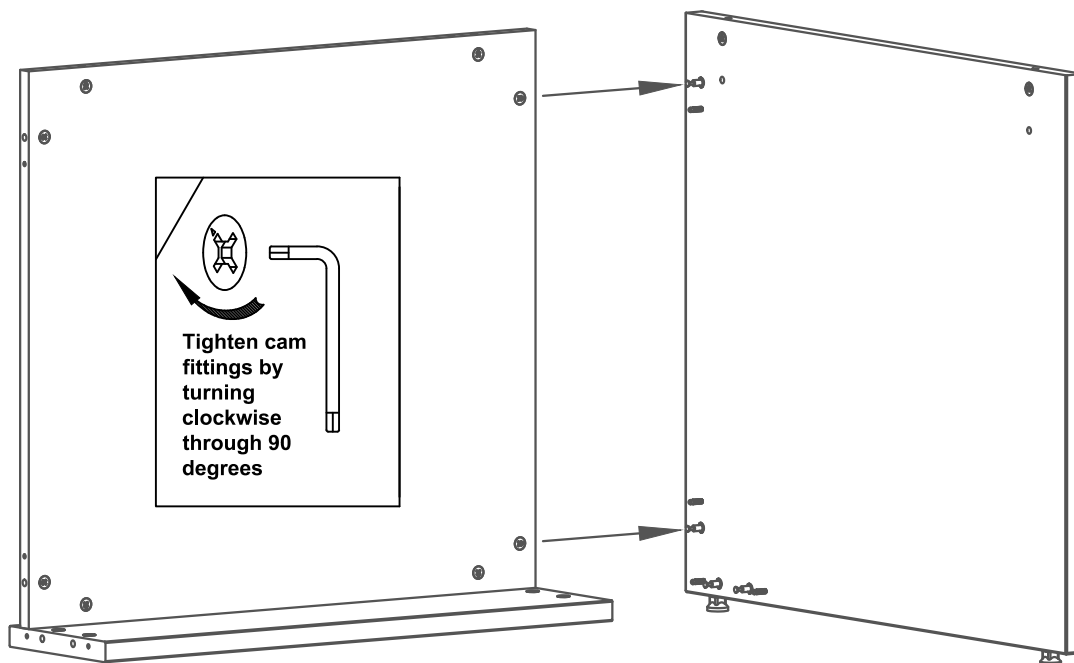


Minifix Cam RM-CAM03	24mm Quickfix Pin RM-BLT05	Wood dowel 30 x 5mm RM-WOW01
x4	x2	x2

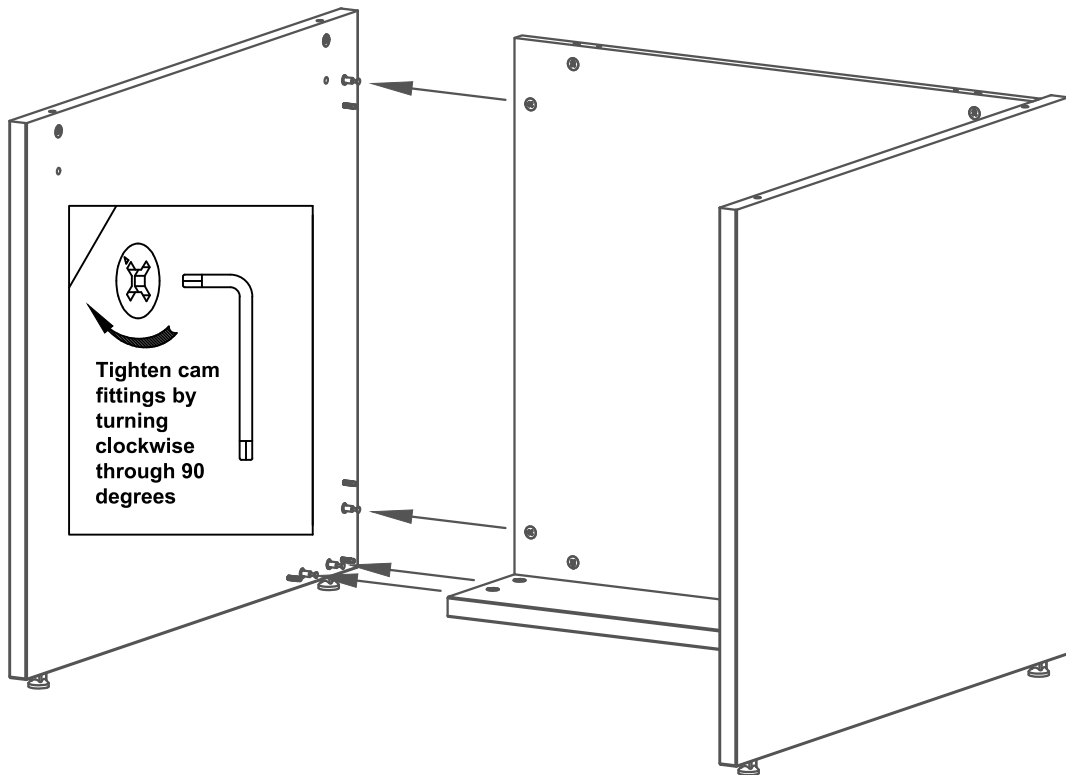
10



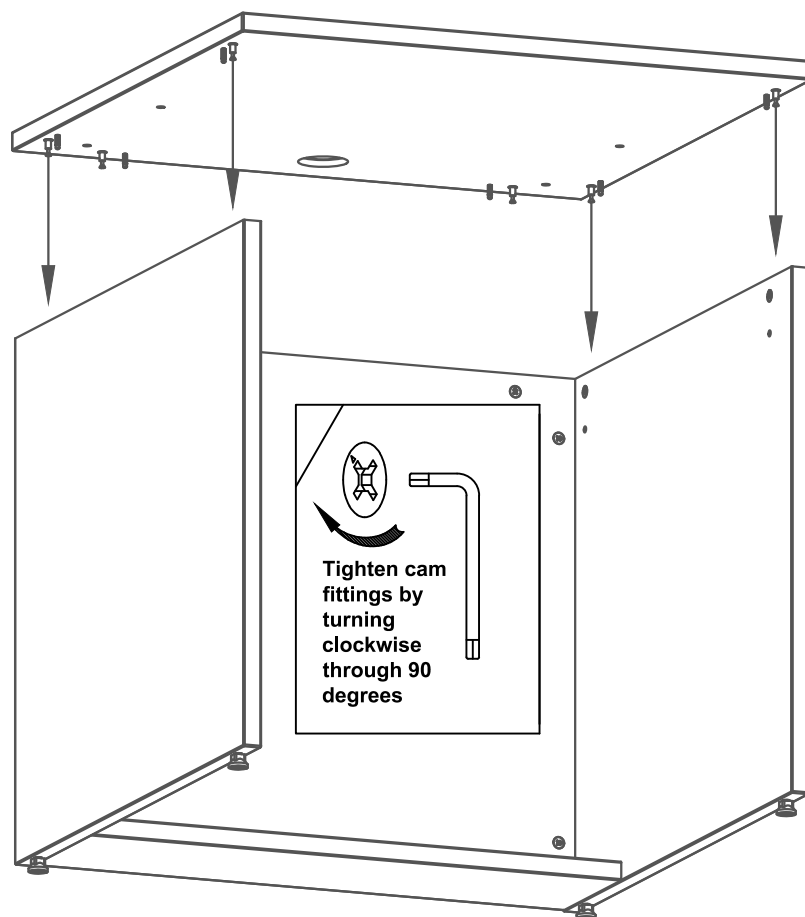
11



12

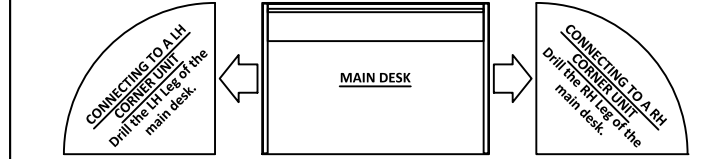
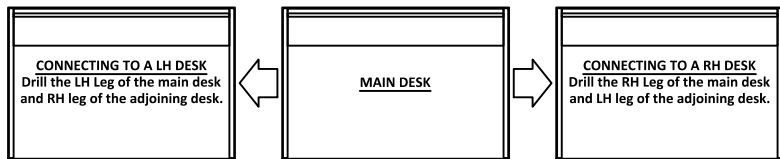
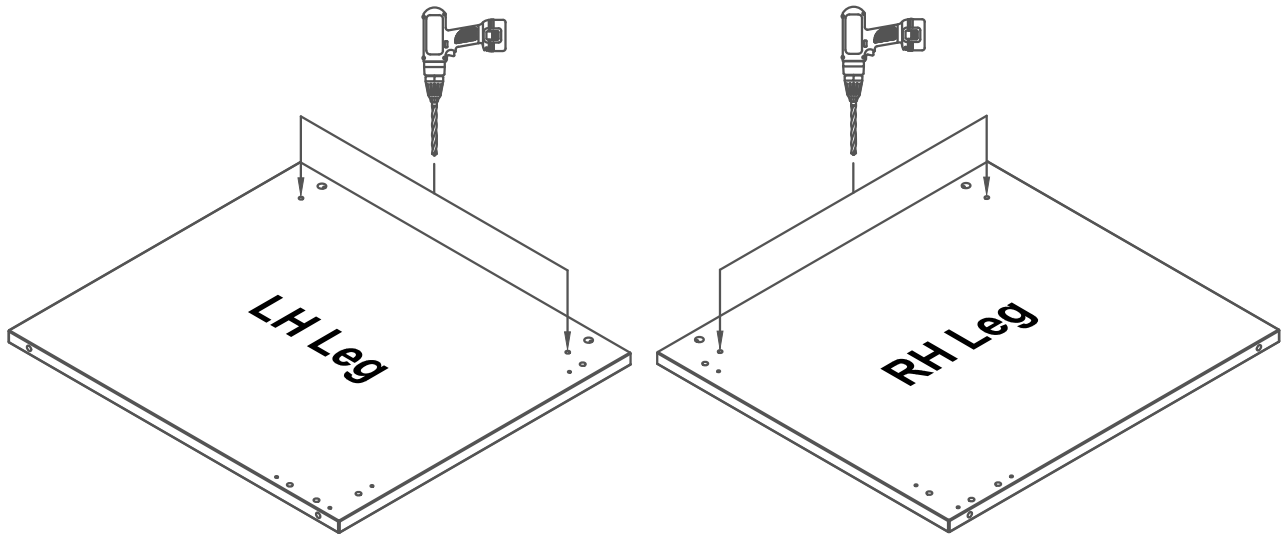


13

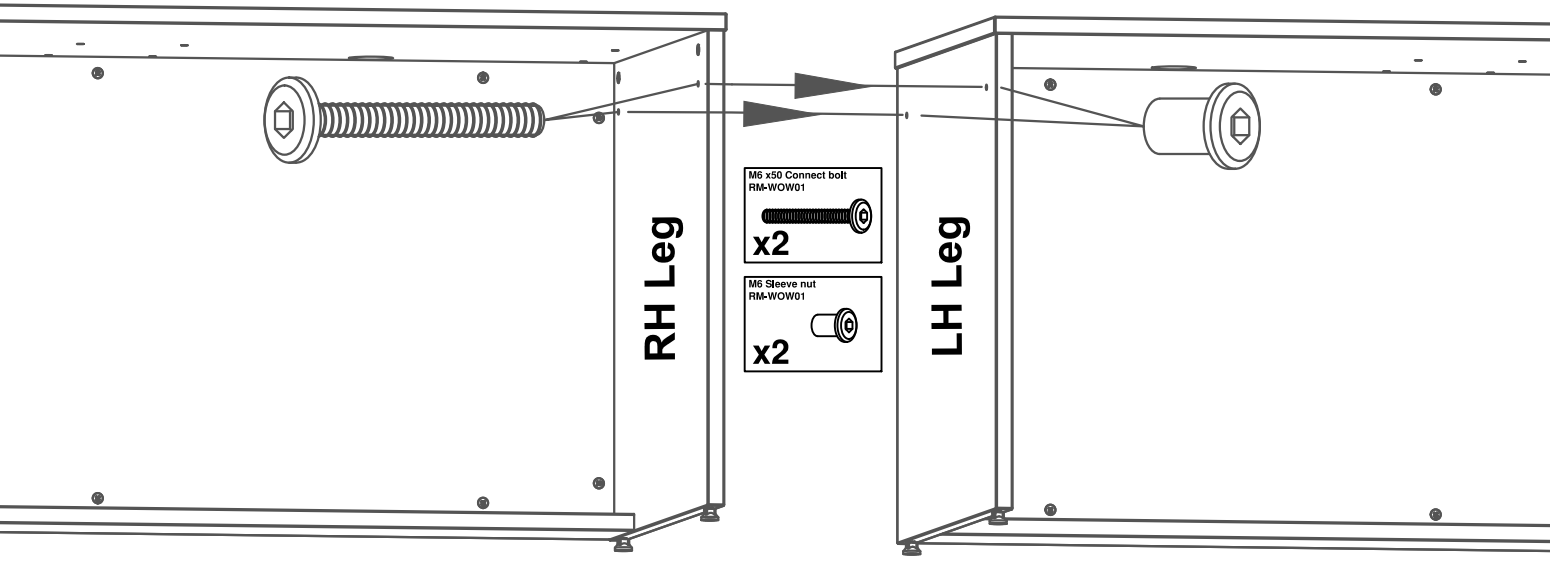




Linking units together



Linking desk to desk



Linking desk to corner base unit

