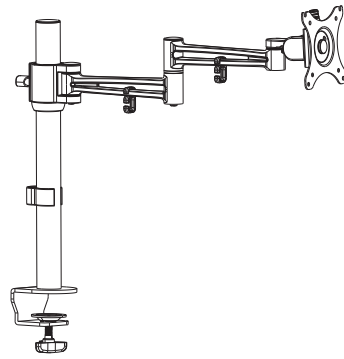


Item No.: LSMARM-K
Installation guide



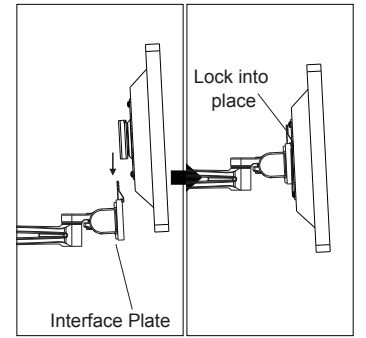
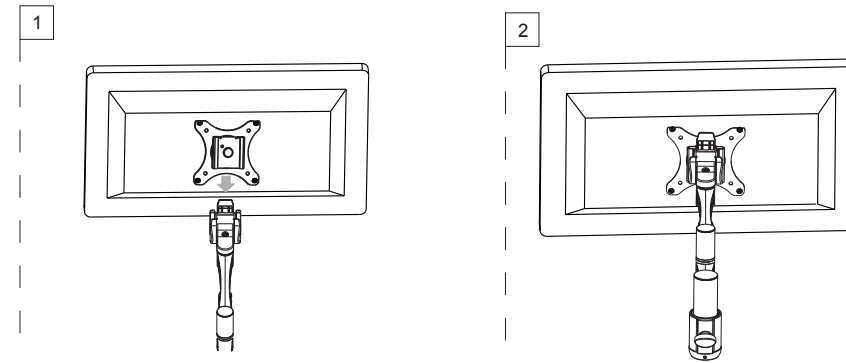
M4x12MM A(4PCS) **M5x12MM B(4PCS)** **φ6.5x13x2 C(8PCS)** **2.5X2.5MM D(1PC)**
5X5MM E(1PC)

- 1.Top Cap (1PC)
- 2.VESA Plate (1PC)
- 3.Articulating Arm (1PC)
- 4.Cable Clip (2PCS)
- 5.Pole Collar (1PC)
- 6.Pole (1PC)
- 7.Cable Management (1PC)
- 8.Anti-Slip Pad (1PC)
- 9.Decorative Cap (2PCS)



STEP4

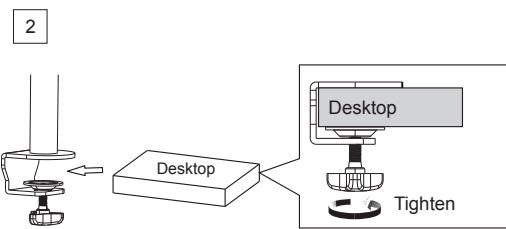
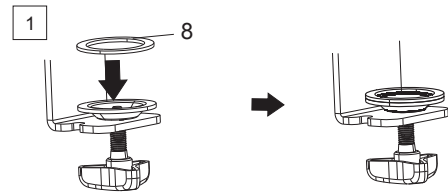
Attaching the VESA Plate to the Articulating Arm



Slides on and clips into the interface plate, make sure it locked into place.

STEP1

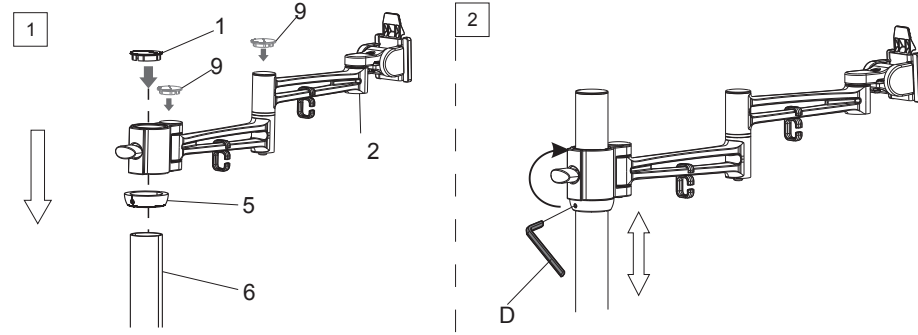
Clamp Installation



Suggested Desktop Thickness:20-25mm

STEP2

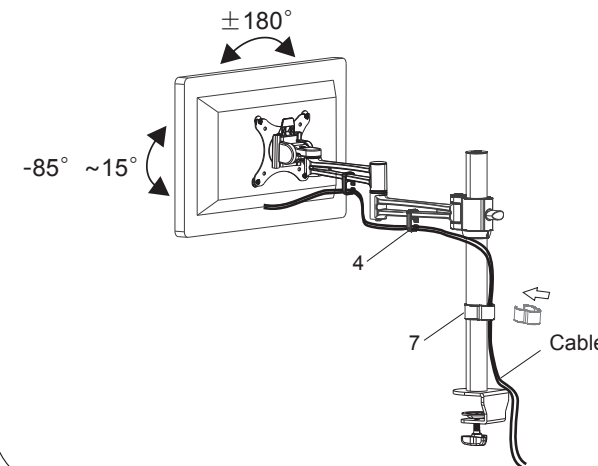
Installing the Articulating Arm



Warning
Make sure the knob is tight enough before hanging the monitor.

STEP5

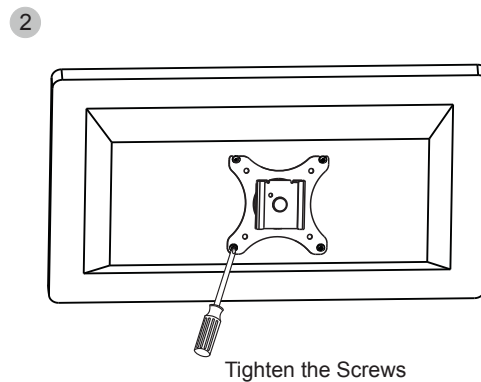
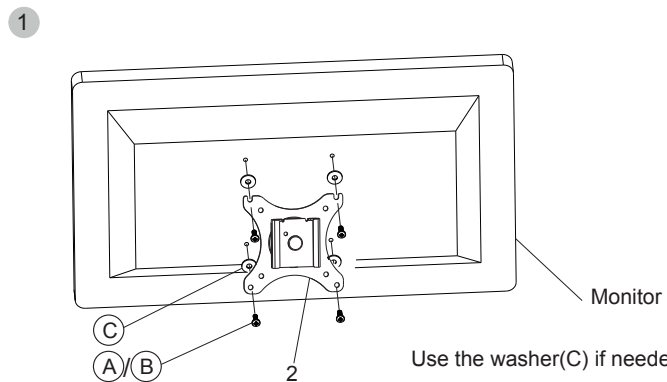
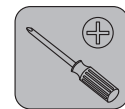
Cable Management & Monitor Adjustment



Adjust the screw with 5x5 Allen Key to keep the monitor in balance.

STEP3

Attaching the VESA Plate to the Monitor



Use the washer(C) if needed.

Tighten the Screws



CAUTION

This product contains small items that could be a choking hazard if swallowed. Keep these items away from young children.

- Make Sure these instructions are read and completely understood before attempting installation. If you are unsure of any part of this installation, please contact a professional installer for assistance.
- The desk or mounting surface must be capable of supporting the combined weight of the mount and the display, otherwise the structure must be reinforced.
- please check joint parts every two months, making sure the screws are loosened or not.

This product was designed to be installed on desk. Before installing, make sure the mount will support the combined load of the equipment and hardware. Never exceed the maximum load capacity 10 KG, or else it may result in product failure or personal injury.

Note: this product is intended for indoor use only. Use of this product outdoors could lead to product failure or personal injury.

*Should you require any assistance in assembling your goods please contact customer services on 0151 548 7111 between 9am/4:30pm.