



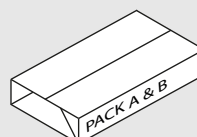
Elev8² Mono - Back-to-Back Desks

EVMB-1200 | EVMB-1400 | EVMB-1600

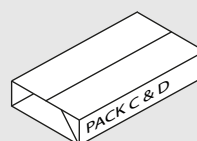


ASSEMBLY INSTRUCTIONS

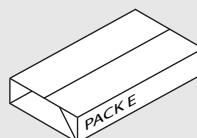
Elev8² Mono
Back-to-Back Desk



Pack A & B:
2 x DESKTOPS

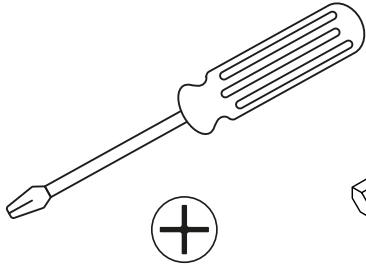


Pack C & D:
2 x LEG FRAMES

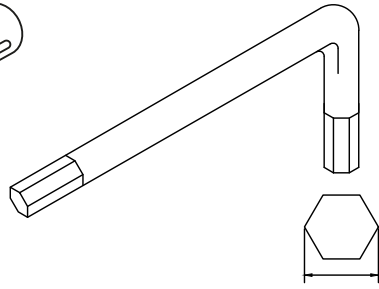


Pack E:
1 x CROSS BEAMS

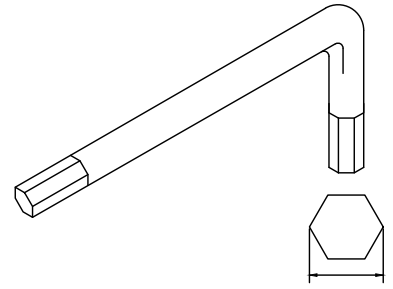
**TOOLS REQUIRED
FOR ASSEMBLY**



1 x Pozi screwdriver

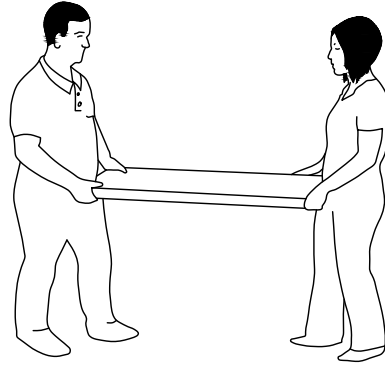
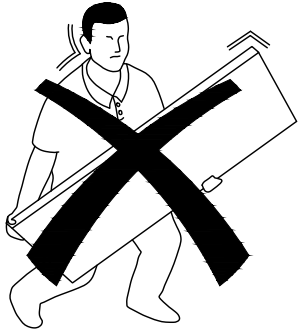


1 x 4mm Allen key

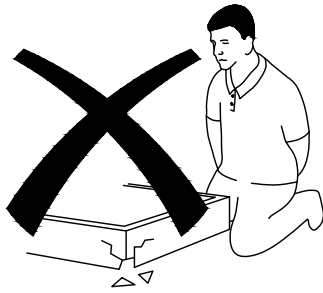


1 x 5mm Allen key

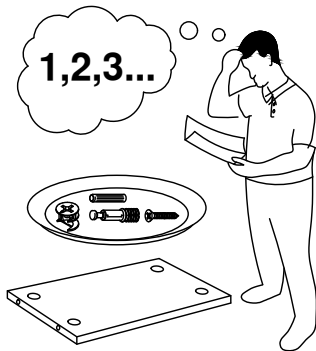
**DONT STRUGGLE
2 MAN LIFT**



**ALWAYS HANDLE
ITEMS WITH CARE**



**IF UNSURE CALL
FOR ASSISTANCE**

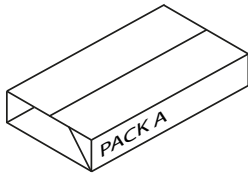


**KEEP FITTINGS AWAY
FROM CHILDREN**



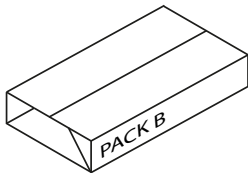


Please check that you have all the components



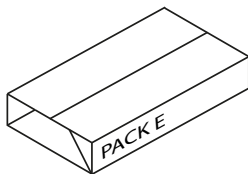
PACK A & B:
2 x DESKTOPS

1200mm = ED128T
1400mm = ED148T
1600mm = ED168T



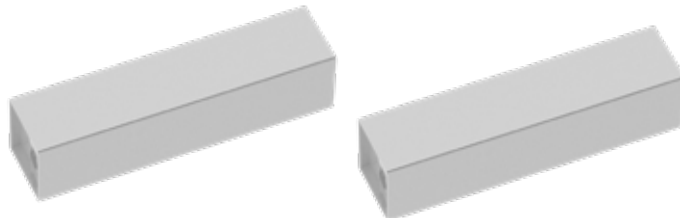
PACK C & D:
2 x UNDER FRAMES

Leg pack code = B2B-S-S-A

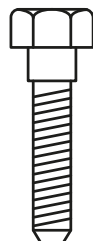


PACK E:
1 x CROSS BEAMS

Cross beam code = B2B-S-S-B



FITTINGS SUPPLIED

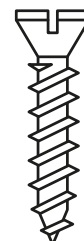


Size

PCS

M6 x 16mm
M10 x 12mm
M10 x 20mm

16
8
16



Size

PCS

Ø4 x 25mm
Ø5 x 20mm

4
36

ELEV8² MONO BACK-TO-BACK DESKS ASSEMBLY

1

Step 1

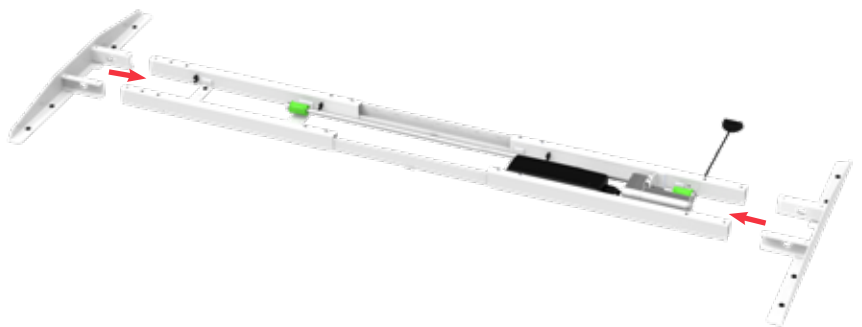
Unpack your new height adjustable desk frame and place on a flat surface.



2

Step 2

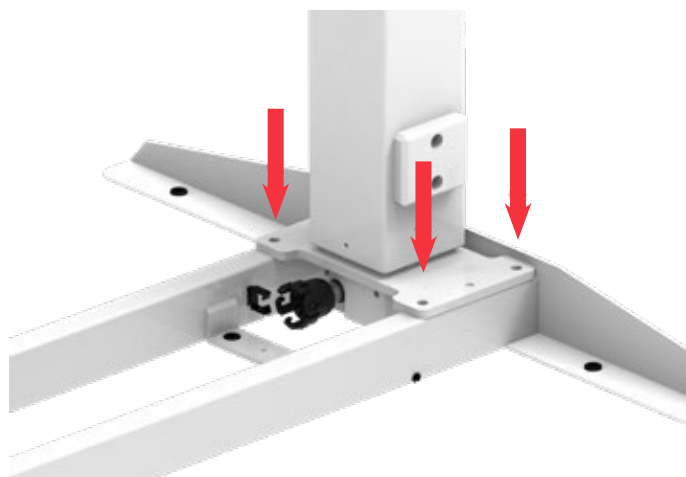
Insert the desktop end rails into the frame cross sections.



3

Step 3

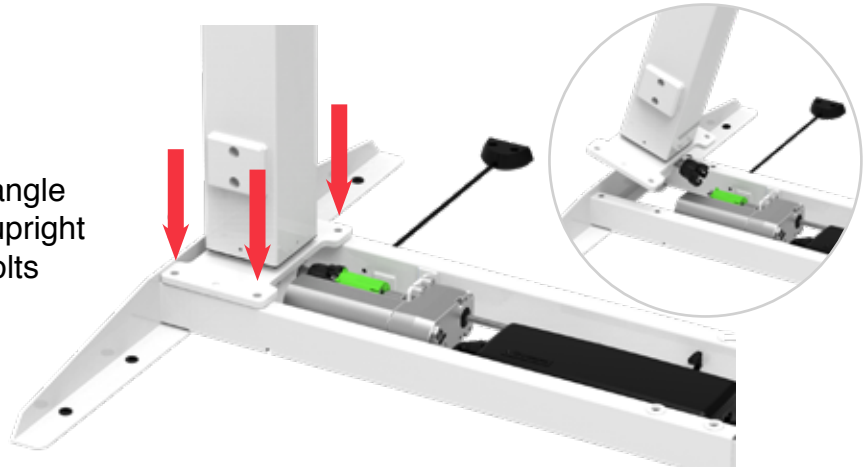
Insert the right leg into the frame and use 4 of the bolts supplied to fix into place.



4

Step 4

Insert the left leg at a 45° angle before fixing the leg in its upright position with the other 4 bolts provided.



5

Step 5

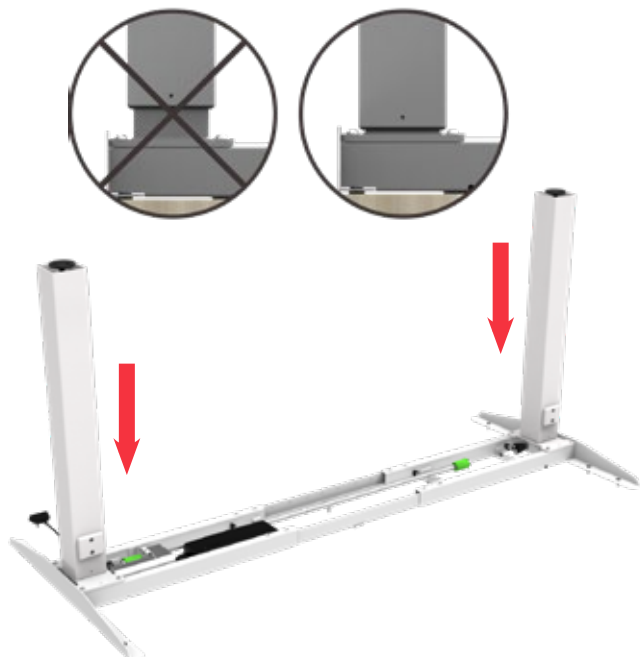
Extend the frame to the required length. Once at the desired length tighten the grub screws on the frame.



6

Step 6

Before connecting the legs to the motor ensure that they are at their lowest point. This will mean that the desk is level when rotated to its upright position.

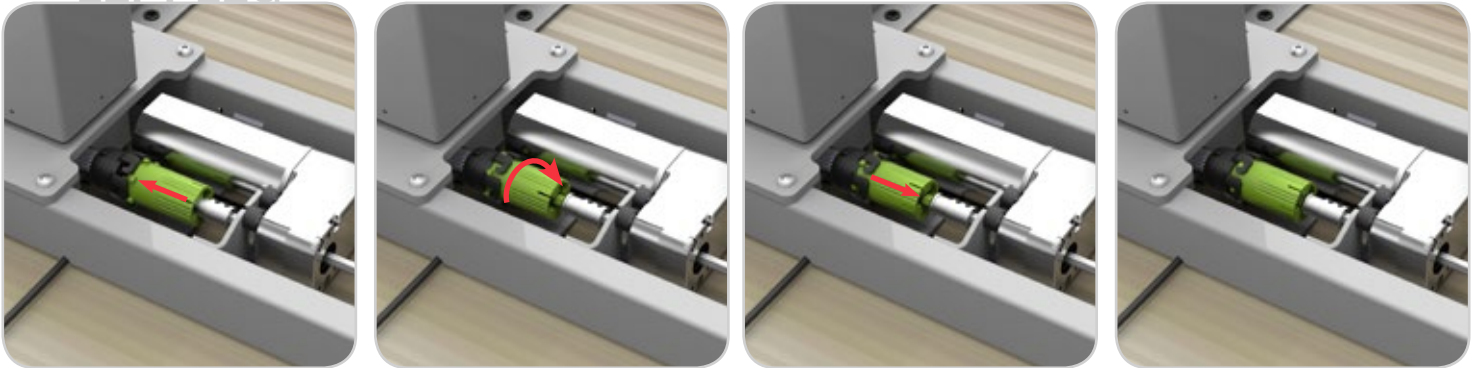


7

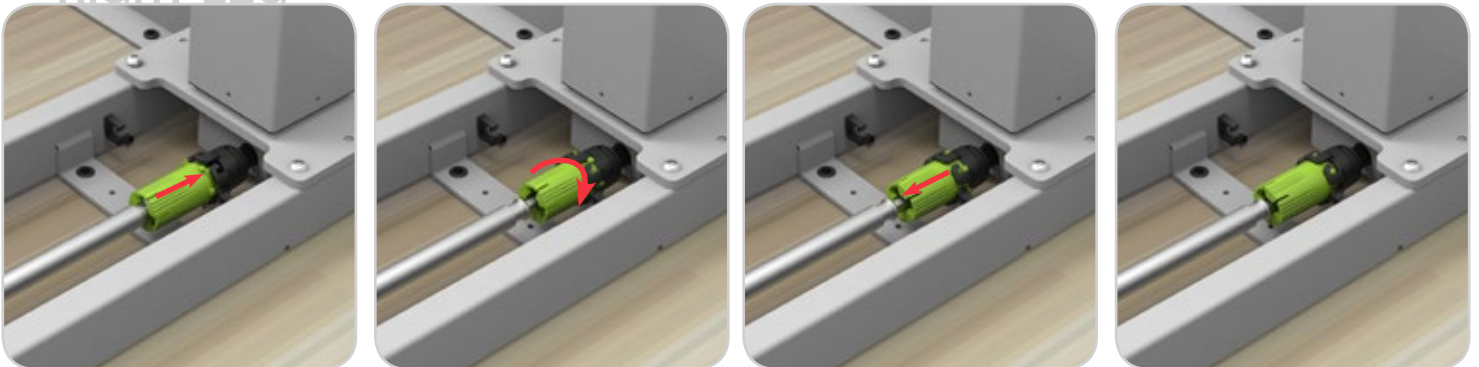
Step 7

It is now time to attach both of the legs to the motor. Follow the steps shown to secure the shaft from the motor to the bayonet fixing on each leg.

LEFT LEG



RIGHT LEG

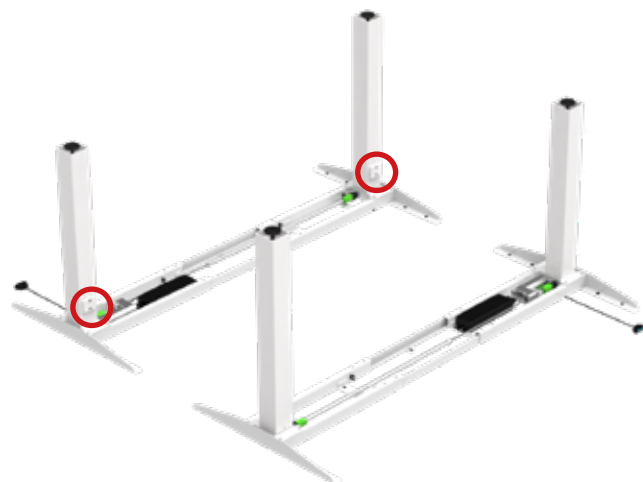


8

Step 8

Repeat the steps 2 through 7 for both desk frames.

There are two holes in each leg of the frames, make sure these are pointing inwards in order to join the desks together.



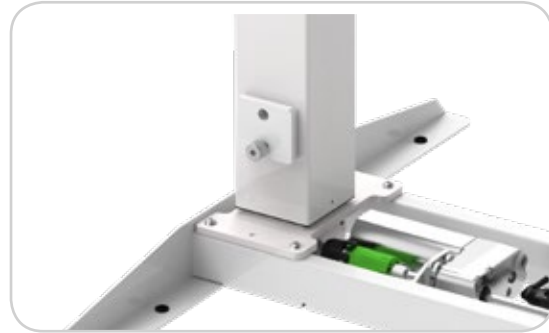
9

Step 9

Insert one of the supplied bolts into the bottom hole on the leg frame as shown. This will be to attach the cross beam.

NOTE

You should be able to still see some of the thread of the bolt.
If the thread is not visible, loosen the bolt by a few turns to leave a gap.



10

Step 10

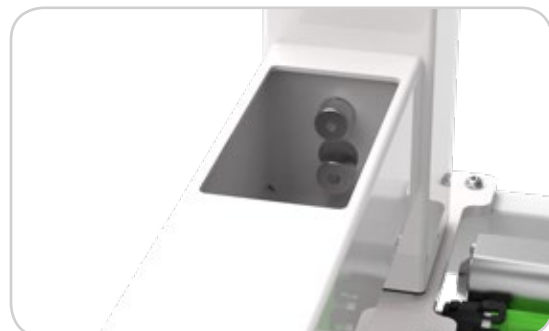
Insert the cross beam over the bolt and raise it into the keyhole position.



11

Step 11

Once in position, a second bolt will be able to be inserted and both bolts to be tightened as necessary.

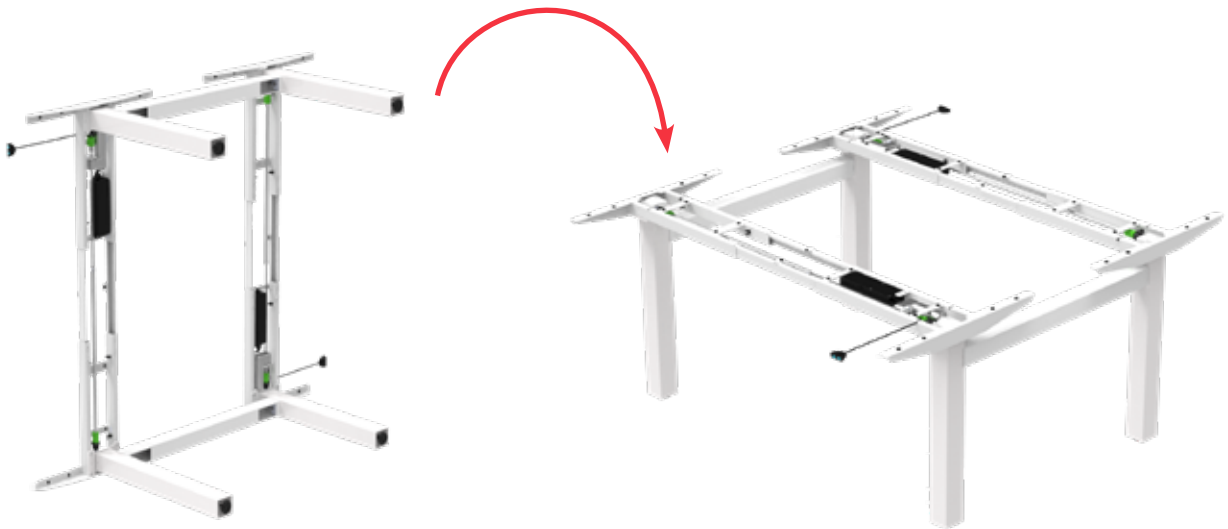


12

Step 12

Once the cross beams are attached, turn the desk over into its upright position.

2 person lift, do not attempt to do this without assistance, this could result in injury or damage to the product.



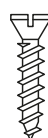
13

Step 13

Now position the desktop onto the framework ensuring that the scalloped edge of the desktop is at the centre of the frame.

Align the holes in the desktop end rails with the pre-drilled holes on the underside of the desktop.

Use the wood screws supplied to attach the top to the frame, if you are using a cordless/power driver make sure it is on a low torque setting.



NOTE

Use Ø5 x 20mm wood screws to attach the top to the frame.

14

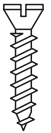
Step 14

Finally attach the desktop controller to the underside of the desktop using the wood screws provided. If you are using a cordless/power driver make sure it is on a low torque setting. There are pre-drilled holes on either side of the top so the controller can be attached to the Left or Right of the desk.



NOTE

Use Ø4 x 25mm wood screws to attach the controller to the top.



15

Step 15

Your desk is now ready to be connected to the mains outlet. Before you proceed with operating your new desk it is recommended that you perform a full reset of the controller to calibrate the height of each leg.

This can be done using the following steps;

- Press button down for 3 seconds.
- Continue pressing the button until both columns are in lowest position.
- Keep pressing the button until control box makes 1 beep.
- When control box makes 1 beep, it is confirmed that reset has been completed and button can be released.
- Now the desk is operational.
- If the desk is disconnected by accidentally pulling out the plugs at the control box, motors, handset, main power source
- or system status reach overload, overheat etc. then the desk must be reset.
- If the desk is powered off intentionally at the main power switch, then the desk does not need to be reset.

Operating the desk

Press the button, to operate the desk for upwards running.

Press the button, to operate the desk for downwards running.