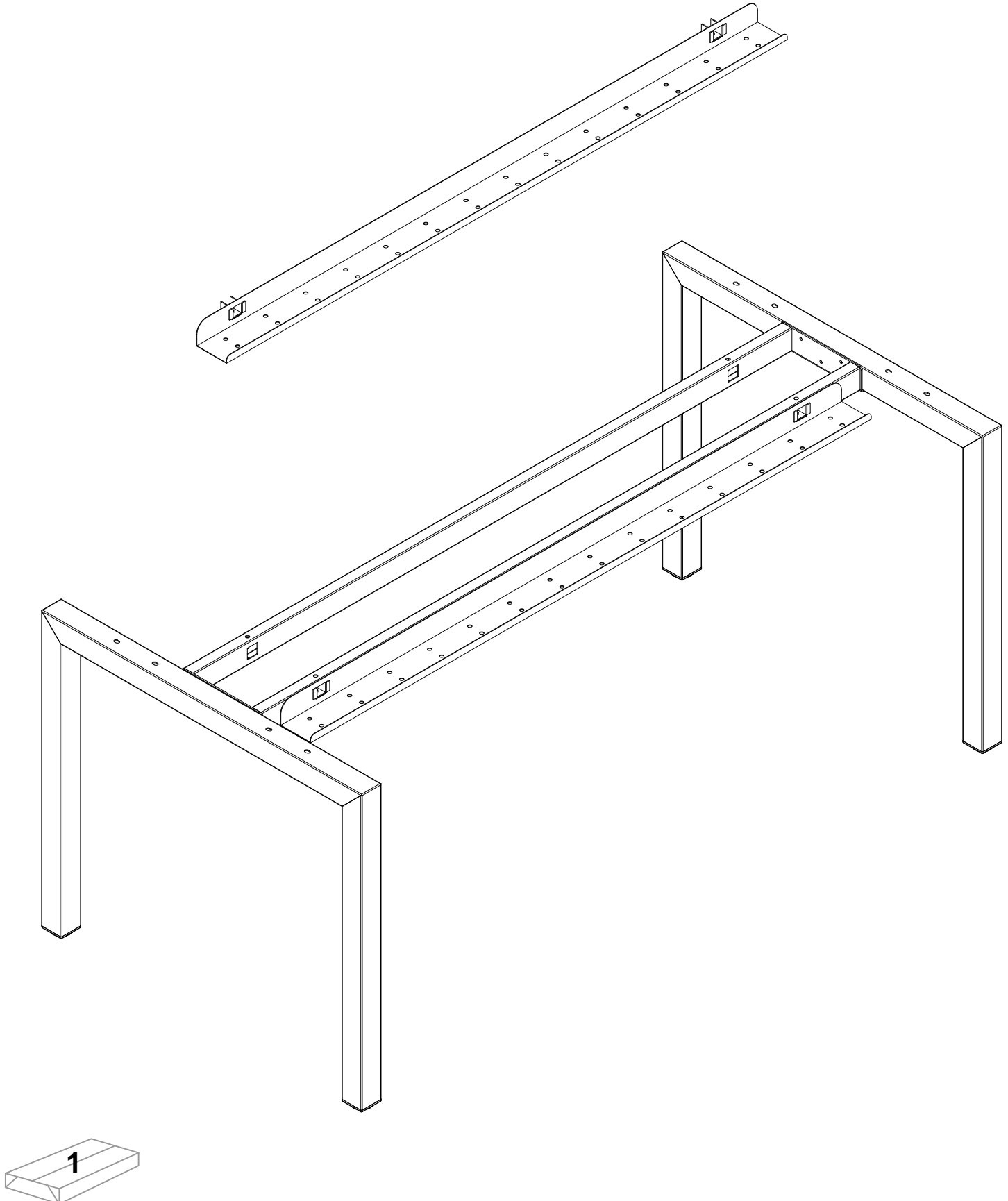


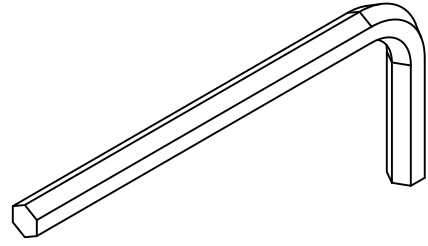
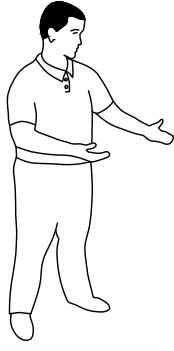


COU12/14/16SCT

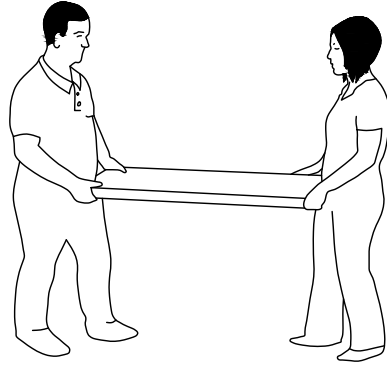
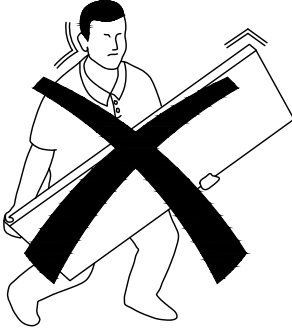
Connex Single Cable Tray



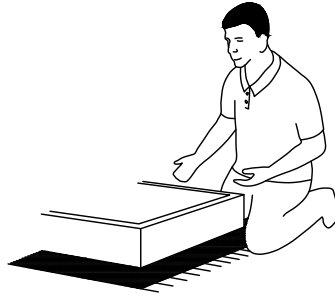
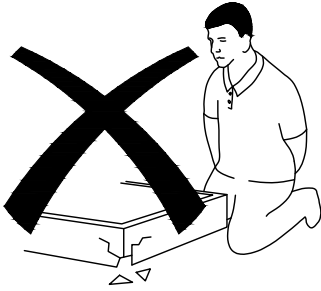
**TOOLS REQUIRED
FOR ASSEMBLY**



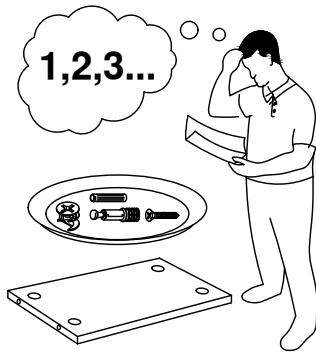
**DONT STRUGGLE
2 MAN LIFT**



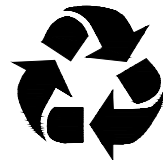
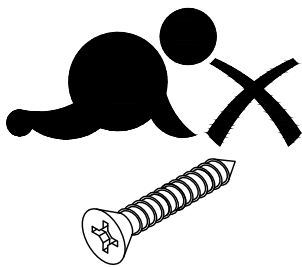
**ALWAYS HANDLE
ITEMS WITH CARE**



**IF UNSURE CALL
FOR ASSISTANCE**



**KEEP FITTINGS AWAY
FROM CHILDREN**





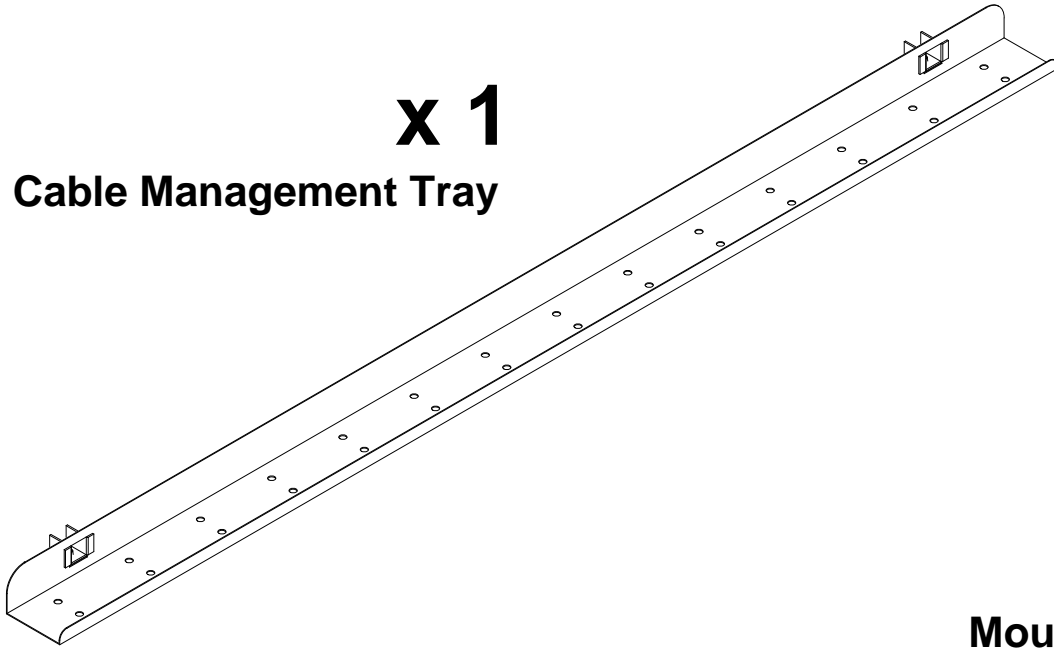
Please check that you have all the Components!



1200 / 1400 / 1600 Single Cable Tray

x 1

Cable Management Tray

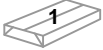


x 2

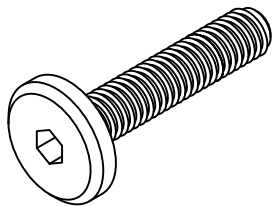
Mounting Brackets



Please check that you have all the Fittings!

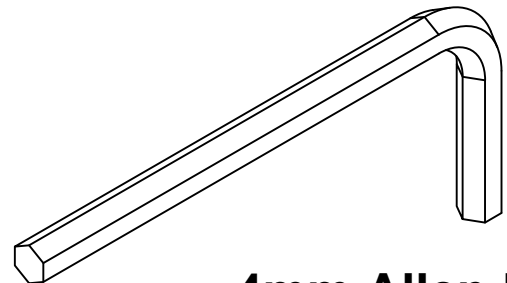


1200 / 1400 / 1600 Single Cable Tray



x 2

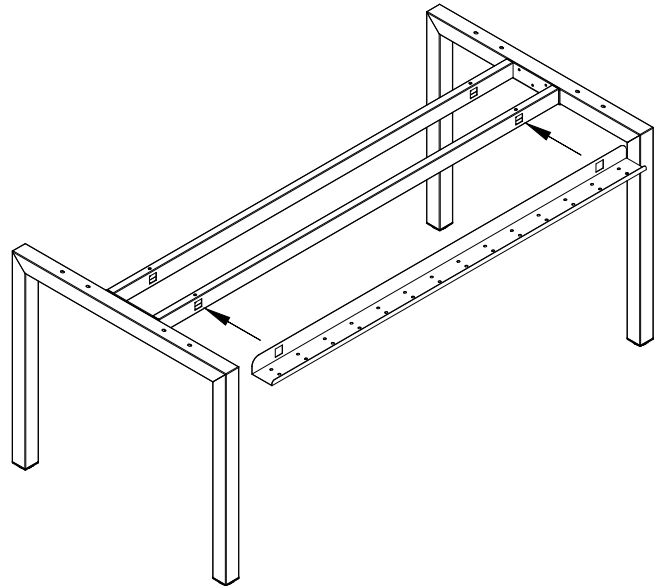
M6x25mm Connect Bolt



4mm Allen Key

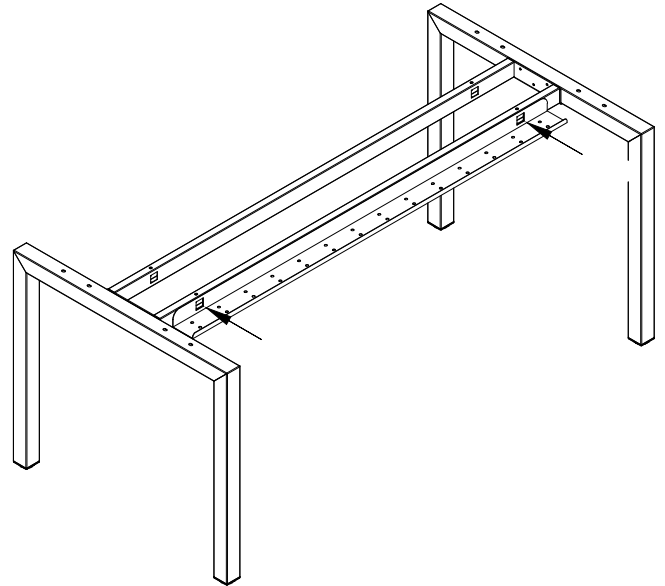
1

Step 1
Lift the cable tray until the square slots are aligned with the square slots in the fixed beam.



2

Step 2
Making sure the fixing points in the mounting brackets are facing downwards slide the brackets through slot in the cable tray and into the corresponding slot on the fixed beam.



3

Step 3
Fix the mounting brackets in place using the M6x25mm connect bolts.

