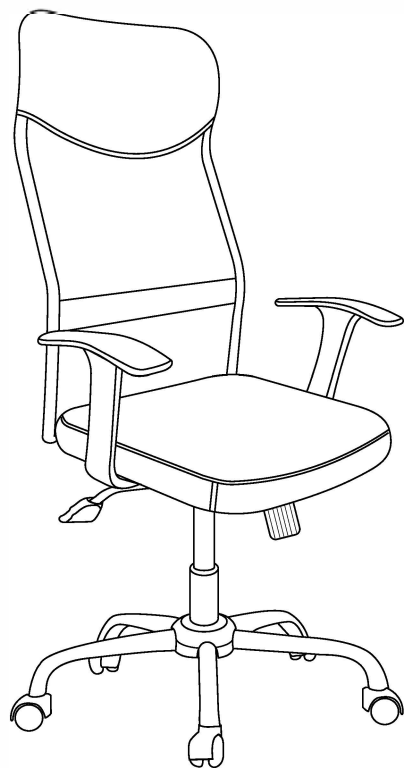


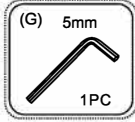
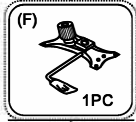
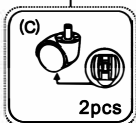
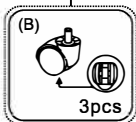
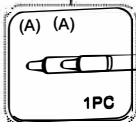
ASSEMBLY INSTRUCTIONS

Please note that all fittings are packed with chair gas lift.

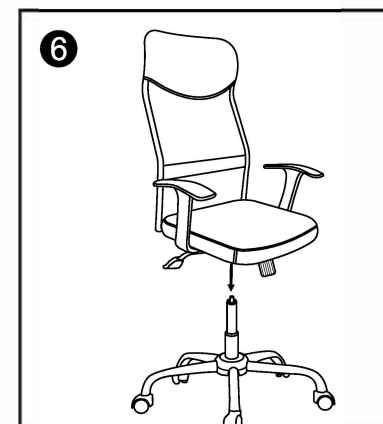
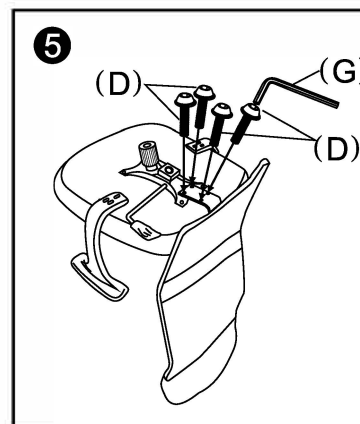
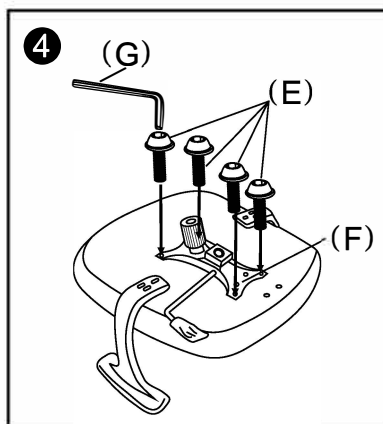
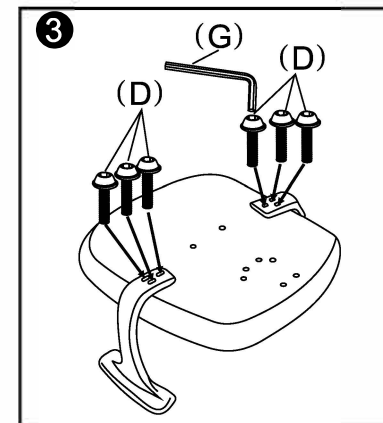
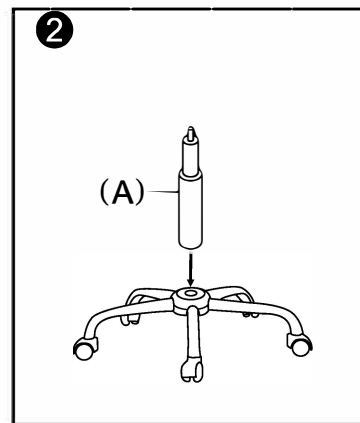
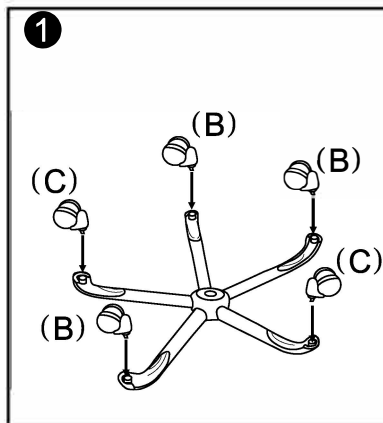


AUR300T1-K

dams



Do not tighten bolts fully until you have completed assembly.
 "Should you require any assistance in assembling your goods please contact customer services on 0151 548 7111 between 9am/4:30pm.



WARNING

- DO NOT USE THIS CHAIR AS A STEPLADDER
- USE THIS PRODUCT ONLY FOR SEATING ONE PERSON AT A TIME
- DO NOT USE THIS CHAIR UNLESS ALL BOLTS, SCREWS AND KNOBS ARE FIRMLY SECURED
- AT LEAST EVERY 4 MONTHS CHECK ALL BOLTS, SCREWS AND KNOBS TO BE SURE THEY REMAIN TIGHT
- IF PARTS ARE MISSING, BROKEN, DAMAGED OR WORN, STOP USING THE PRODUCT UNTIL REPAIRS ARE MADE USING AUTHORIZED PARTS
- FAILURE TO FOLLOW THESE INSTRUCTIONS/WARNINGS COULD RESULT IN SERIOUS INJURY

IMPORTANT INFORMATION

- THE CHAIR CONTAINS SAFETY LOCK CASTORS.
- THE PURPOSE OF THESE SAFETY LOCK CASTERS IS TO TEMPORARILY LOCK THE WHEELS WHEN THE CHAIR IS NOT IN USE.
- THE LOCK WOULD BE RELEASED WHEN YOU SIT ON THE CHAIR.
- THIS PREVENTS THE CHAIR FROM ROLLING OFF ON ITS OWN WHEN ON SMOOTH HARD FLOOR.
- IF YOU PUSH THE CHAIR, IT REQUIRES MORE EFFORT AND MAY SEEM HARDER TO MOVE. THIS IS NOT A DEFECT.
- PLEASE ASSEMBLE THESE SAFETY LOCK CASTORS ON ALTERNATE LOCATIONS ON THE STAR BASE.