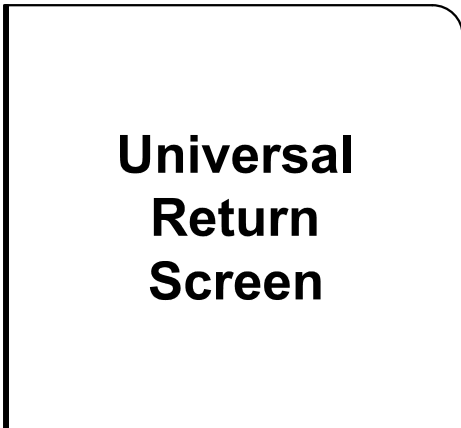
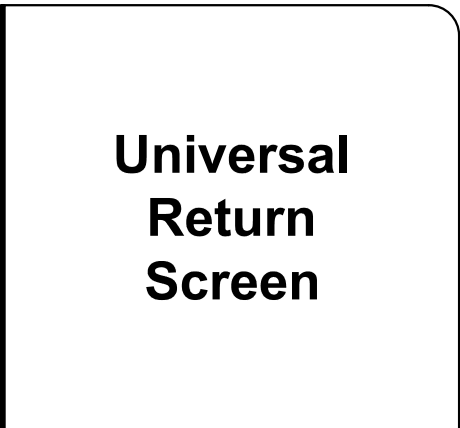
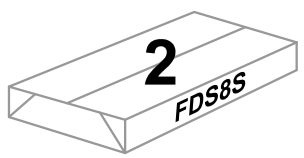
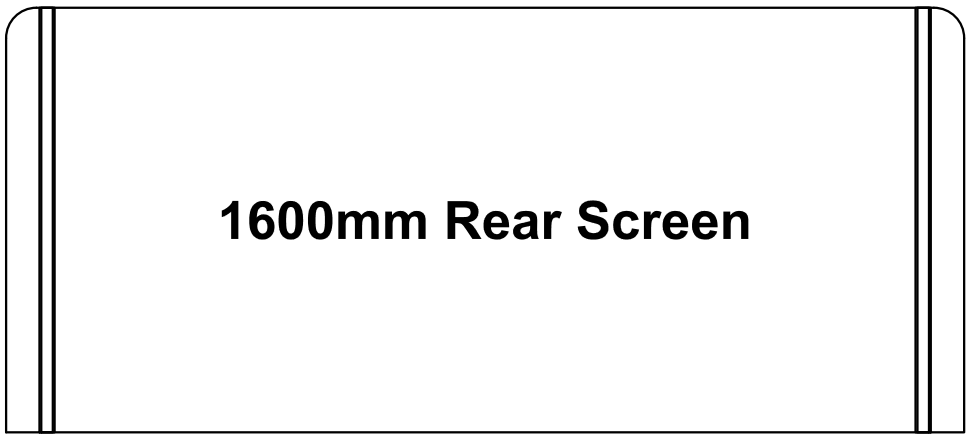
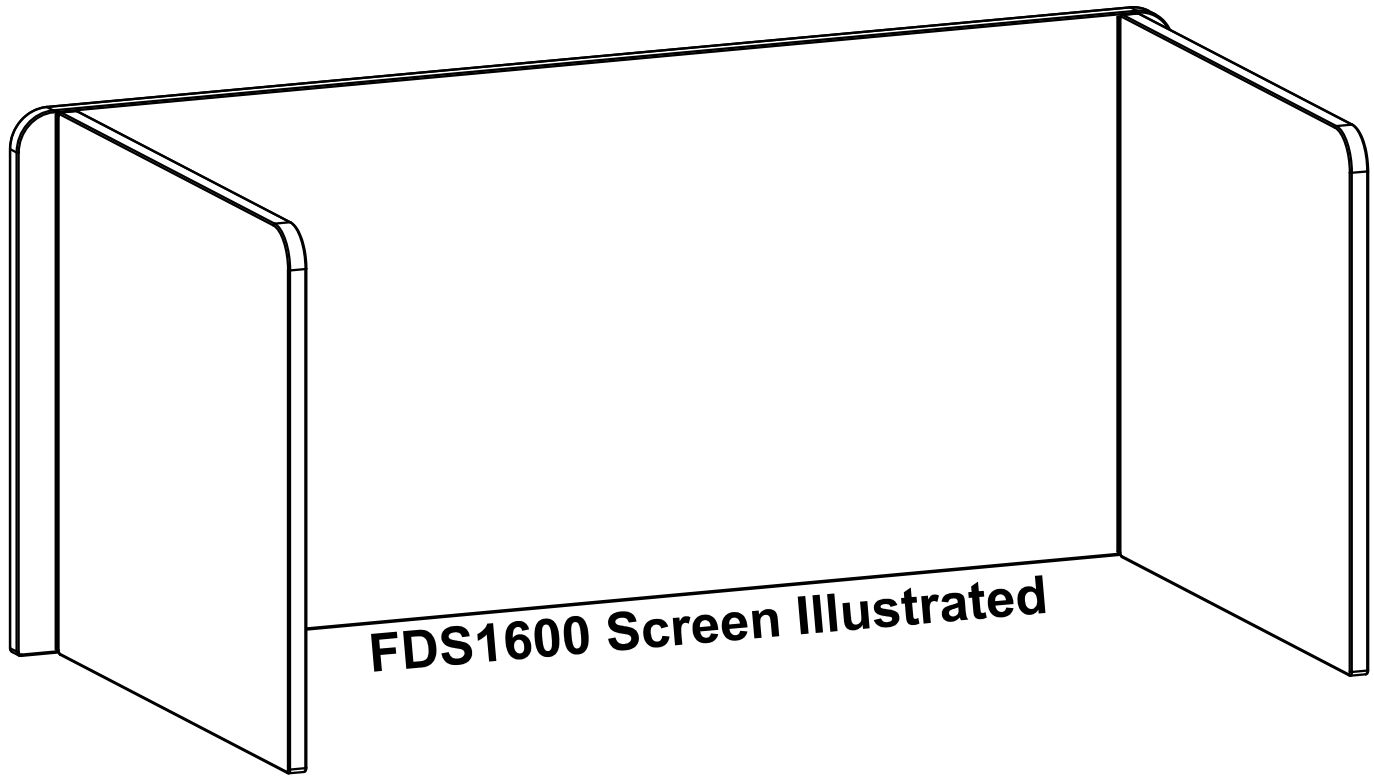




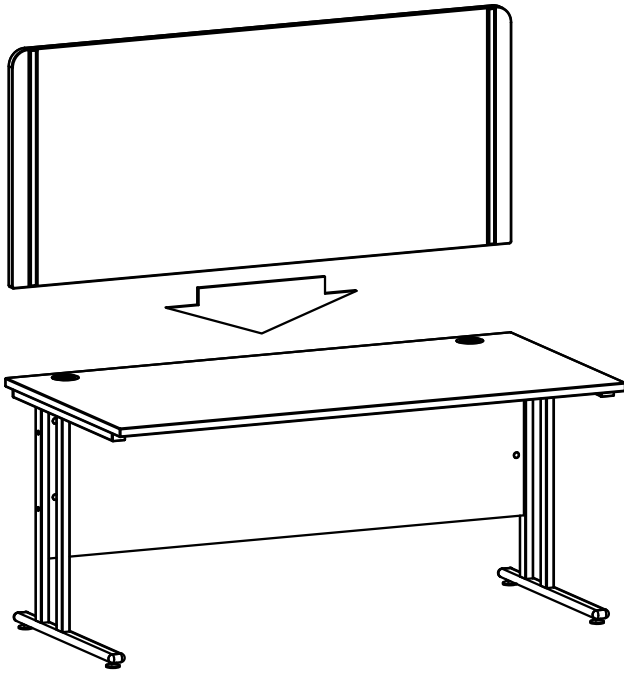
3 Sided High Screens

FDS800 / FDS1000 / FDS1200 / FDS1400 / FDS1600 / FDS1800

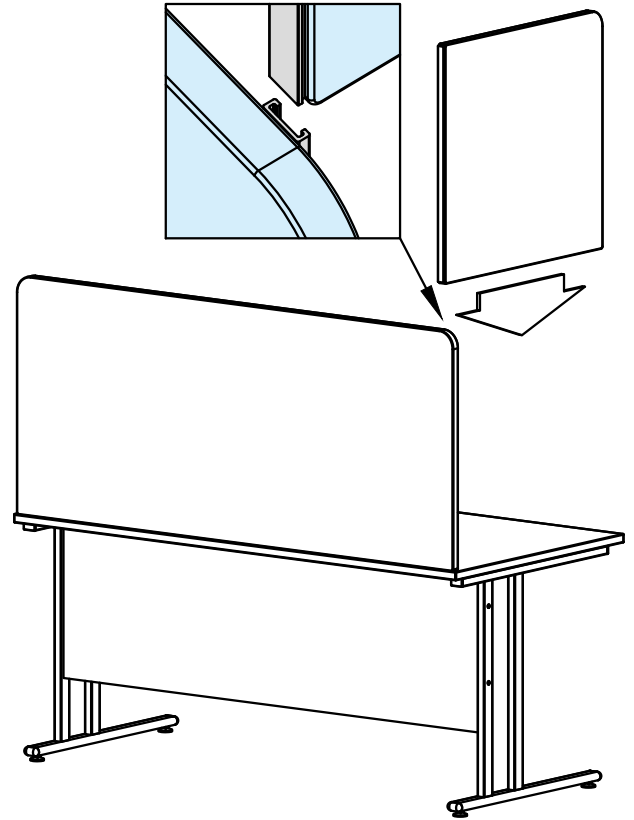
Protective Screens



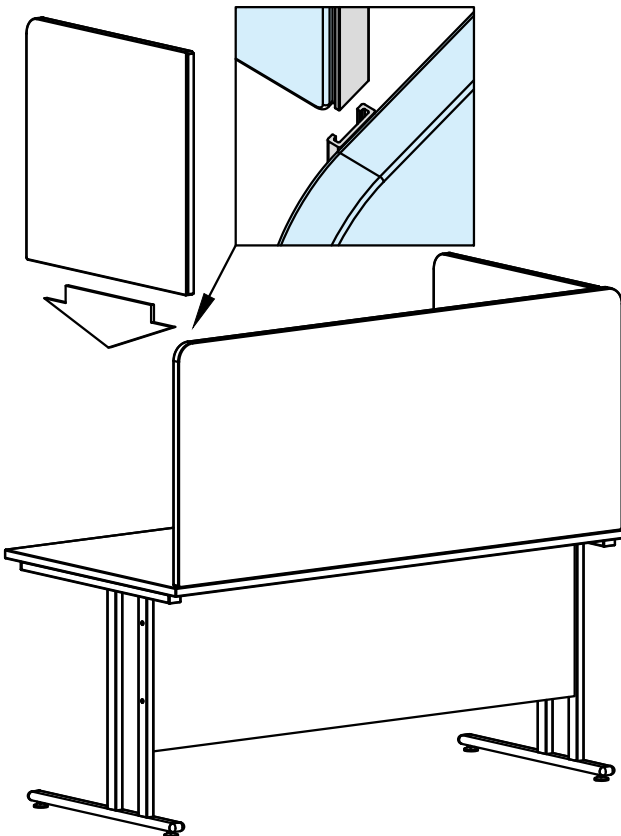
1



2



3



Step 1

Place the return screen onto your worksurface and have a colleague hold the panel upright.

Step 2

Whilst your colleague holds the panel in place carefully connect one of the universal return screens.

Ensure the plastic profiles engage correctly before sliding the screen all the way down.

Step 3

The screens should now stand up on their own but have your colleague secure them in place whilst you carefully connect the remaining universal return screen.

Once again ensure the plastic profiles engage correctly before sliding the screen all the way down.